

# ENERVEX®

## RS 009-016 CHIMNEY FAN

3932001 03.16

Product Information

### Use

The RS Chimney Fan is an exhaust fan used to maintain proper draft in a gas/oil chimney or stack system. Typical applications include venting of:

- Fireplaces
- BBQs
- Pizza ovens & Stoves

### Description

The RS Chimney Fan is specifically designed for applications where efficient operation, low noise level, low energy consumption, variable speed and compact design are of utmost importance. It should be installed at the termination point of the chimney or stack section and can be mounted on masonry or metal chimneys. It is typically mounted in the vertical position, but may be sidewall vented as well.

The fan assures a negative pressure is maintained in the entire chimney or stack system. The fan discharges horizontally (vertically, if side-wall vented) at a high velocity.

The fan housing is hinged and the top can be opened for easy service and access to stack.

The RS is for use where flue gas temperatures do not exceed 575°F (300°C) for intermittent operation and 482°F (250°C) for continuous operation.

The RS Chimney Fan is a component of the IntelligentDraft® System.

### Material

Housing is 3/16" thick cast aluminum. Finished with one coat of grey hammerpaint for added corrosion resistance.

Axial vanes are stainless steel, dynamically and statically balanced to assure low noise level and vibration-free operation.

### Motor

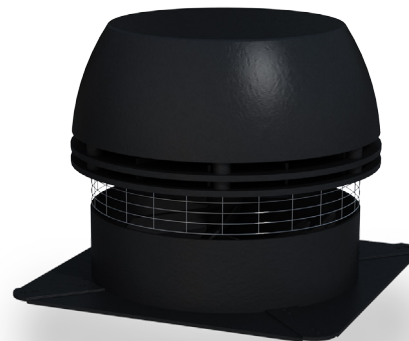
Split capacitor, totally enclosed. Class H insulated, IP54 Protection Class. Sealed ball bearings. Variable Speed. Thermal overload protection.

### Standard Equipment

- 2"x4" or 4"x4" Junction Box with Cover and Conduit
- Fiber Mat and Mounting Brackets
- Bird Screen
- 5 Amp Fan Speed Control



Intertek  
ETL File 514733



### Optional Equipment

- ADC 100 Fan Control
- ADC 150 Fan Control
- EFC 211 Fan Control
- PDS Proven Draft Switch
- FSC Fan Speed Control
- SCA Steel Chimney Adaptor
- MFD-S Manual Fireplace Damper
- MFD Mechanical Fireplace Damper

### Listings

The RS 009-016 Chimney Fan is ETL Listed in the U.S. and Canada under file no. 514733:

- UL378 Standard for Draft Equipment (for non-solid fuel installations only)
- CSA-CAN3-B255-M81 Standard for Mechanical Flue Gas Exhausters (for non-solid fuel installations only)

### Approvals

- CE Compliant
- The Commonwealth of Massachusetts
- City of Los Angeles, CA (RR 8474)
- Manufactured at ISO9001 certified plant

### Warranty

- 2-Year Factory Warranty
- 10-Year Factory Warranty Against Corrosion Perforation

Complete warranty conditions are available from ENERVEX Inc.

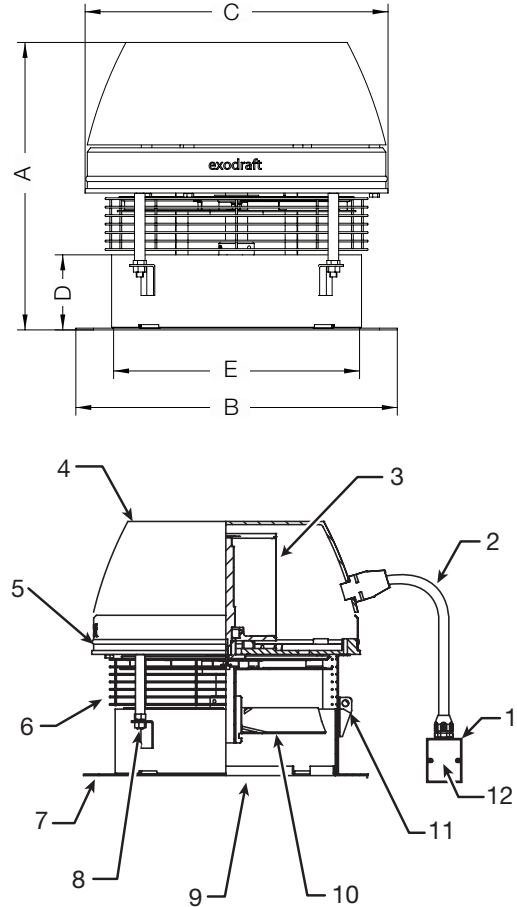
# ENERVEX® RS 009-016 CHIMNEY FAN

3932001 03.16

Product Information

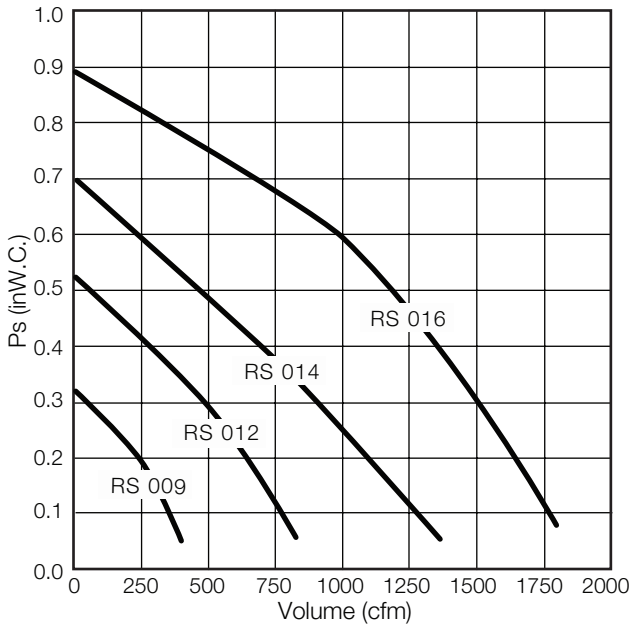
## Specifications

Model		RS 009	RS 012	RS 014	RS 016	
Discharge		Horizontal				
Fan Type		Axial Vane				
Motor Type		Totally enclosed, Variable speed, Class H				
Voltage	VAC	1x120V @ 60 Hz				
Amperage	Amps	0.5	1.2	1.4	3.9	
RPM		1600				
CFM	@0.0 Ps	450	950	1400	1950	
Motor Output	hp / kW	1/30 / .025	1/10 / 0.08	1/7 / 0.1	1/3 / 0.25	
Weight	lbs / kg	29 / 13	37 / 17	47 / 21	61 / 28	
	kg	13	17	21	28	
Dimensions	A	in / mm	10.2 / 259	11.5 / 292	13.1 / 334	16.0 / 407
	B x B	in / mm	11.7 / 296	14.3 / 364	16.6 / 422	18.8 / 478
	C	in / mm	10.8 / 275	13.5 / 344	15.5 / 395	17.4 / 441
	D	in / mm	3.0 / 75	3.3 / 85	3.9 / 100	3.9 / 100
	E	in	9.4 / 238	11.6 / 294	13.5 / 342	15.4 / 391
Temperature Rating	Intern.	575°F / 300°C				
	Cont.	482°F / 250°C				



- 1 Junction box
- 2 Conduit/cord
- 3 Motor
- 4 Motor housing
- 5 Motor plate
- 6 Bird screen
- 7 Base plate
- 8 Locking nut
- 9 Inlet
- 10 Axial vane
- 11 Hinges
- 12 Capacitor (inside junction box)

## Capacity



## Sound Data

Model	Lw dB (measured in accordance with ISO 3744)							Lp dB(A)
	125Hz	250Hz	500Hz	1000Hz	2000Hz	4000Hz	8000Hz	
RS009	54	50	47	43	38	31	25	21
RS012	64	60	55	52	48	42	34	30
RS014	75	69	65	62	57	51	44	41
RS016	81	76	72	69	64	58	52	47

Specifications are subject to change without notice.