



# OUTDOOR FIRE FEATURES







4-foot Plaza installed in custom table with optional glass wind guard

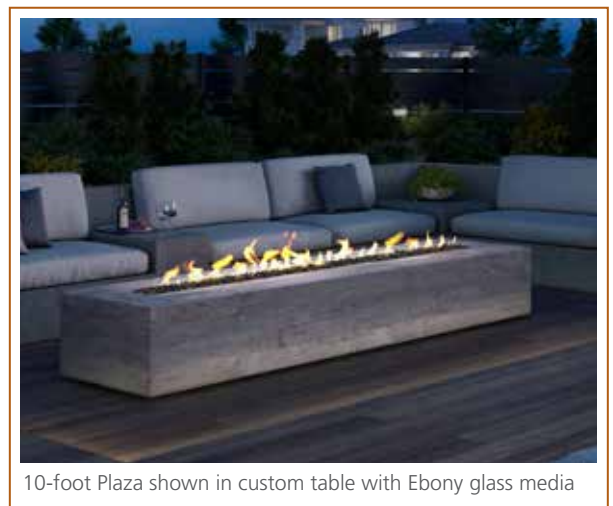
## PLAZA LINEAR GAS FIRE PIT

The Plaza outdoor linear gas fire pit allows you to invite your neighbors to gather around the fire—or add a dramatic statement piece in your space. Make this fire feature your own with endless finishing options to complete your outdoor oasis. With only a flick of a lighter, sit back and enjoy.

- Add a wind guard to keep the flame looking great, even on breezy days
- Framing kit available for an easy way to create a coffee table or create a custom design for endless options
- Rust-resistant stainless steel construction
- Match-light ignition, simply turn on the gas and ignite
- Available in 2', 4', 6', 8' and 10' lengths

### Optional features

- Coffee table framing kit
- Glass wind shield
- Stainless steel cover



10-foot Plaza shown in custom table with Ebony glass media

### Media



Crystal



Ebony



Cobalt



Amber



Lava





Lanai shown with clean face trim and white LED lighting

## LANAI OUTDOOR GAS FIREPLACE

Light up your landscape. The Lanai linear gas fireplace offers contemporary style. Feel confident enjoying the flames with proven technologies. The night comes alive with glowing flames and a colorful firebed.

- Multicolored LED lights shine through the crushed glass firebed and can even be used when the fireplace is off
- Stainless steel interior reflects and magnifies flames
- Rust-resistant stainless steel construction
- IntelliFire® Ignition System with wall switch constantly monitors ignition and ensures safe functioning
- Glass wind guard keeps the flames full and lively
- 51" wide fireplace adds enjoyment to your space

### Optional feature

- Add a layer of safety with an optional screen to protect and prevent debris from entering the fireplace



Lanai shown with purple LED lighting and glass wind guard



Wall Control



Safety Screen

### LED Lighting



White



Aqua



Blue



Purple



Red



Yellow



Green



# GAS FIREPLACES



Courtyard 36 shown with standard brick interior and standard logs

## COURTYARD OUTDOOR GAS FIREPLACE

The Courtyard outdoor gas fireplace is the perfect blend of artistry and function: traditional styling with ultra-realistic logs or contemporary glass, that ignite at the flip of a switch. Mesmerizing flames provide instant ambiance and relaxation. Cozy up with the Courtyard.

- Choose from multiple interior options including stainless steel to magnify the flames, traditional brick for a traditional look or premium stacked or herringbone brick for a unique look in neutral tones for your space
- Rust-resistant stainless steel construction
- IntelliFire ignition system with wall switch constantly monitors ignition and ensures safe functioning
- Available in 36" or 42" widths

### Optional feature

- Framed Mesh Barrier



Courtyard 36 shown with contemporary stainless steel interior and crystal glass media

#### Wall Control



#### Framed Mesh Barrier



#### Interior Styles



Premium Herringbone



Premium Traditional



Standard Traditional



Stainless Steel

#### Glass Media



Crystal



Ebony



Cobalt



Amber



Villa Gas shown with traditional brick interior and optional stainless steel operable doors

## VILLA GAS OUTDOOR GAS FIREPLACE

The Villa Gas is a versatile outdoor gas fireplace at a value price. This compact unit can easily be installed on decks or patios. A stainless steel surround thrives in the elements and complements an outdoor kitchen or space. Extend your living into the outdoors. Experience the Villa Gas fireplace.

- Stainless steel mesh curtain screens keeps debris out of the fireplace
- No chimney or venting required, blending your fireplace effortlessly into your outdoor space
- Safety pilot ignition system automatically turns off gas supply if flame is extinguished
- 36" or 42" wide fireplace adds enjoyment to your space

### Optional feature

- Stainless steel operable mesh doors



Villa Gas shown with standard stainless steel mesh curtain screen and traditional brick interior



**Stainless Steel Operable Doors**



# WOOD FIREPLACES



Montana shown with standard mesh firescreen and herringbone brick interior

## MONTANA OUTDOOR WOOD FIREPLACE

The Montana is the original outdoor fireplace that started it all. It's built to maintain its sleek stainless look for years and deliver solid performance. Enhance your outdoor area with this impressive focal point.

- Durable stainless steel construction tested to defy the elements
- Patented drain channels to minimize weather effects
- Choose from traditional or herringbone brick interior for an authentic masonry look
- Stainless steel grate and mesh curtain screens built to look great for years
- 36" or 42" wide fireplace adds enjoyment to your space

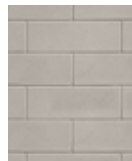
### Optional features

- Bi-fold glass doors
- Outdoor Fireside Realwood gas log set for the added convenience of gas



Montana shown with standard mesh firescreen, traditional brick interior and optional bi-fold glass doors

### Interior Styles



Traditional



Herringbone





Villawood shown with standard stainless steel mesh, traditional brick interior and outdoor Fireside Realwood gas logs

## VILLA WOOD OUTDOOR WOOD FIREPLACE

The Villa Wood is a wood-burning fireplace at home in a variety of outdoor spaces. Upgrade your outdoor kitchen, or enhance your living area with style and warmth. Add the Villa Wood outdoor fireplace to your deck or patio and enjoy the experience of a wood fire.

- Choose from traditional or herringbone brick interior for an authentic masonry look
- Steel grate and stainless steel mesh curtain screens built to look great for years
- 36" or 42" wide fireplace adds enjoyment to your space

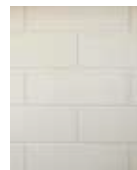
### Optional features

- Bi-fold glass doors with stainless steel finish
- Outdoor Fireside Realwood gas log set for the added convenience of gas



Villawood shown with standard stainless steel mesh, traditional brick interior and outdoor Fireside Realwood gas logs

#### Interior Styles



Traditional



Herringbone

#### Bi-Fold Glass Doors







Castlewood shown with standard stainless steel mesh, traditional molded brick interior and outdoor Fireside Grand Oak gas log set

## CASTLEWOOD OUTDOOR WOOD FIREPLACE

The Castlewood turns any outdoor area into a welcoming and relaxing living space. A large, high opening provides a dramatic view from across the yard, and a textured brick interior offers masonry-style looks at a fraction of the cost. Enjoy the experience of a large wood fire with the Castlewood.

- Expansive 38" high firebox opening
- Choose from traditional or herringbone brick interior for an authentic masonry look
- Black steel grate and stainless steel mesh curtain screens built to look great for years
- 42" wide fireplace adds enjoyment to your space

### Optional features

- Outdoor Fireside Grand Oak log set for the added convenience of gas
- Premium bi-fold glass doors with a bronze finish



Castlewood shown above with stainless steel mesh curtain screens, traditional molded brick interior and outdoor Fireside Grand Oak gas log set

### Interior Styles



Traditional

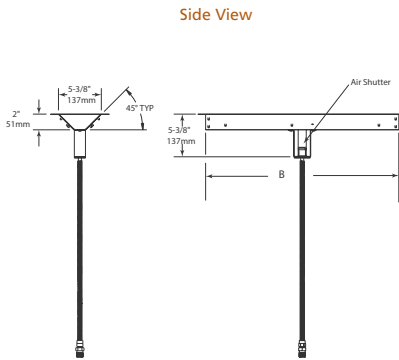
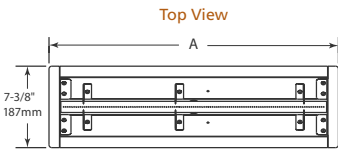


Herringbone



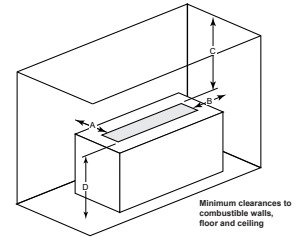
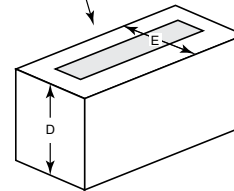
## PLAZA

Model	Length	Width	Depth	Viewing Area	BTU/hr Input
Plaza-24"	24" [610]	5-3/8" [137]	5-3/8" [137]	24" x 5-3/8" [613 x 137]	32,000



Clearance to Combustibles

Appliance enclosure must be made entirely of non-combustible materials

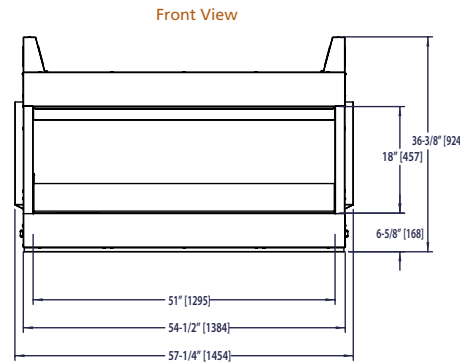
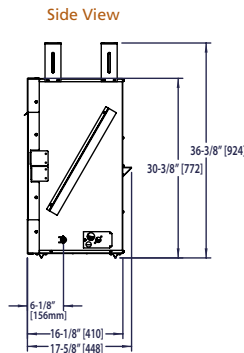


	A	B
Starter Kit	26" (660 mm)	24" (610mm)
Starter Kit + 1 Extension	50" (1,270mm)	48" (1,219mm)
Starter Kit + 2 Extensions	74" (1,880mm)	72" (1,829mm)
Starter Kit + 3 Extensions	98" (2,489mm)	96" (2,438mm)
Starter Kit + 4 Extensions	122" (3,099mm)	120" (3,048mm)

	A	B	C	D	E
in	17	17	45	8	8
mm	432	432	1143	203	203

## LANAI

Model	Front Width		Back Width		Height		Depth		Viewing Area	BTU/hr Input
	Unit	Framing	Unit	Framing	Unit	Framing	Unit	Framing		
Lanai	57-1/4" [1454]	57-3/4" [1467]	57-1/4" [1454]	57-3/4" [1467]	36-3/8" [924]	39-1/2" [1003]	17-5/8" [448]	17-5/8" [448]	51" x 18" [1295 x 457]	55,000

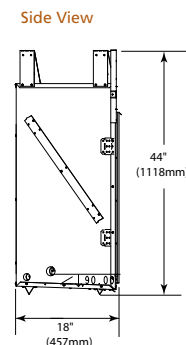
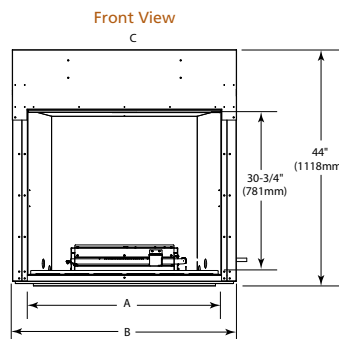


## COURTYARD

Model	Front Width		Back Width		Height		Depth		Viewing Area
	Unit	Framing	Unit	Framing	Unit	Framing	Unit	Framing	
Courtyard-36"	41-3/4" [1060]	43-1/2" [1105]	31-1/2" [800]	43-1/2" [1105]	44" [1118]	44-1/8" [1121]	18" [457]	18-1/8" [459]	36" x 30-3/4" [914 x 781]
Courtyard-42"	47-3/4" [1213]	49-1/2" [1257]	37-1/2" [953]	49-1/2" [1257]	44" [1118]	44-1/8" [1121]	18" [457]	18-1/8" [459]	42" x 30-3/4" [1067 x 781]

Drawings to the right represent the 36" and 42" combined.

MODEL	Courtyard-36"	Courtyard-42"
A	36" [914]	42" [1067]
B	41-3/4" [1060]	47-3/4" [1213]
C (back width)	31-1/2" [800]	37-1/2" [953]





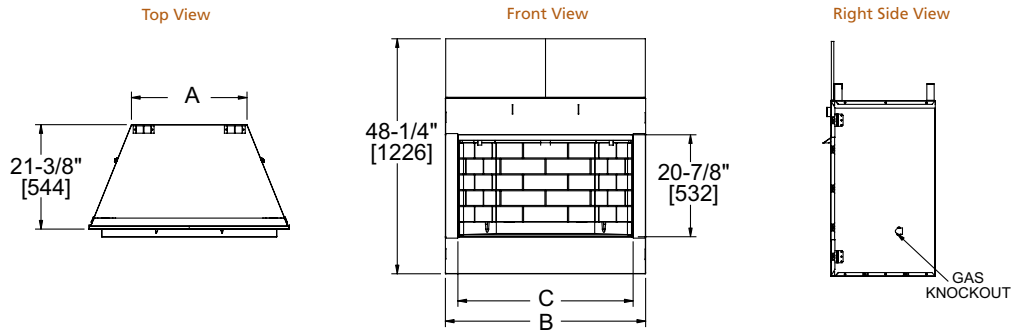
# FIRE FEATURE SPECIFICATIONS

## VILLA GAS

Model	Front Width		Back Width		Height		Depth		Viewing Area	BTU/hr Input
	Unit	Framing	Unit	Framing	Unit	Framing	Unit	Framing		
Villa Gas 36"	41" [1041]	42" [1067]	23-3/4" [603]	42" [1067]	39-1/2" [1003]	39-3/4" [1010]	21-3/8" [544]	21-1/2" [546]	36" x 20-7/8" [914 x 532]	40,000 (NG), 40,000 (LP)
Villa Gas 42"	47" [1194]	48" [1219]	29-3/4" [756]	48" [1219]	39-1/2" [1003]	39-3/4" [1010]	21-3/8" [544]	21-1/2" [546]	42" x 20-7/8" [1067 x 532]	42,000 (NG), 42,000 (LP)

Drawings to the right represent the 36" and 42" combined.

MODEL	Villa Gas 36"	Villa Gas 42"
A	23-3/4" [603]	29-3/4" [756]
B	41-1/8" [1045]	47-1/8" [1197]
C	36" [914]	42" [1067]

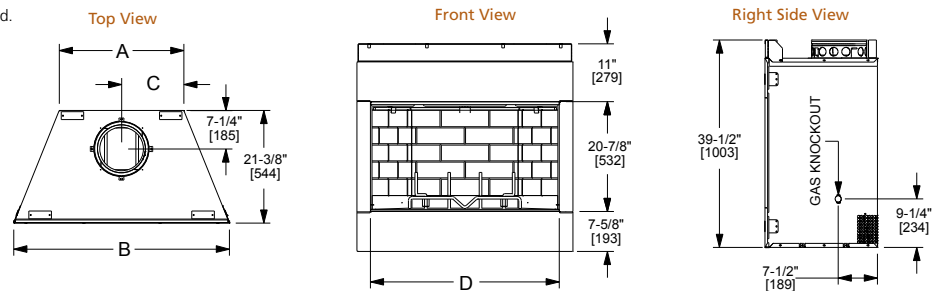


## VILLA WOOD

Model	Front Width		Back Width		Height		Depth		Viewing Area
	Unit	Framing	Unit	Framing	Unit	Framing	Unit	Framing	
Villawood-36"	41" [1041]	42" [1067]	23-3/4" [603]	42" [1067]	39-1/2" [1003]	39-3/4" [1010]	21-3/8" [544]	21-1/2" [546]	36" x 20-7/8" [914 x 532]
Villawood-42"	47" [1194]	48" [1219]	29-3/4" [756]	48" [1219]	39-1/2" [1003]	39-3/4" [1010]	21-3/8" [544]	21-1/2" [546]	42" x 20-7/8" [1067 x 532]

Drawings to the right represent the 36" and 42" combined.

MODEL	Villawood-36"	Villawood-42"
A	23-3/4" [603]	29-3/4" [756]
B	41" [1041]	47" [1194]
C	11-7/8" [302]	14-7/8" [378]
D	36" [914]	42" [1067]

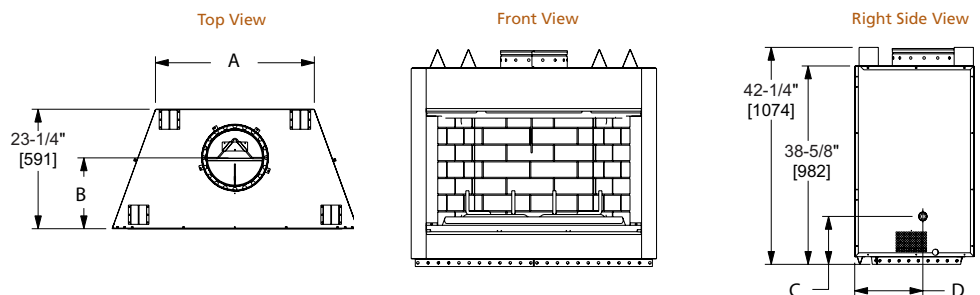


## MONTANA

Model	Front Width		Back Width		Height		Depth		Viewing Area
	Unit	Framing	Unit	Framing	Unit	Framing	Unit	Framing	
Montana-36"	42" [1067]	43" [1091]	25" [635]	43" [1091]	42-1/4" [1073]	42-3/8" [1076]	23-1/4" [591]	24-1/8" [613]	36" x 23-1/2" [915 x 597]
Montana-42"	48" [1219]	49" [1246]	31" [787]	49" [1246]	42-1/4" [1073]	42-3/8" [1076]	23-1/4" [591]	24-1/8" [613]	42" x 23-1/2" [1067 x 597]

Drawings to the right represent the 36" and 42" combined.

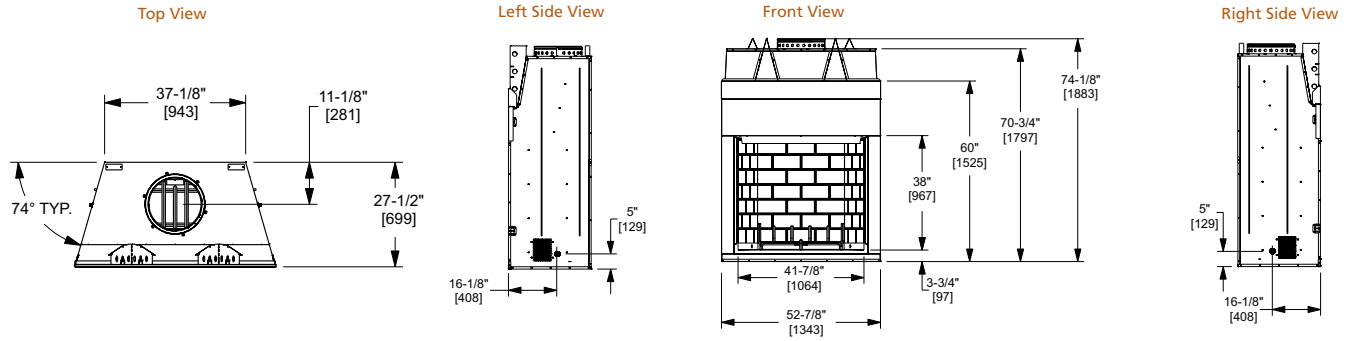
MODEL	Montana-36"	Montana-42"
A	25" [786]	31" [786]
B	13-7/8" [352]	14" [356]
C	9-1/2" [241]	9-1/2" [241]
D	13-1/4" [337]	14" [356]





# CASTLEWOOD

Model	Front Width		Back Width		Height		Depth		Viewing Area
	Unit	Framing	Unit	Framing	Unit	Framing	Unit	Framing	
Castlewood-42"	52-7/8" [1343]	53-7/8" [1368]	37-1/8" [943]	40-1/8" [1019]	74-1/8" [1883]	74-1/2" [1892]	27-1/2" [699]	28-1/2" [724]	41-7/8" x 38" [1063 x 965]



## TECHNOLOGY

### INTELLIFIRE IGNITION SYSTEMS

IntelliFire systems constantly monitor ignition, ensure safe functioning. To learn more, visit [fireplaces.com](http://fireplaces.com).

## NOTES

---



---



---



---



---



---



---



---



---



---



# OUTDOOR FIREPLACES

Living rooms aren't what they used to be. It's time to discard the stale notion that a "living space" is only contained within the walls of your home. Our innovative products make it easy to extend your living into the outdoors. Think of it as adding a new room to your home—an outdoor living room. See how Outdoor Lifestyles by Hearth & Home Technologies can transform your outdoor space.

For complete information and valuable assistance on these products, contact us at:

outdoor   
lifestyles  
by hearth & home technologies®

800-927-6841  
[fireplaces.com](http://fireplaces.com)

## Limited Warranty\*\*

Hearth & Home Technologies guarantees protection for all products in this brochure for a period of one year from the date of purchase.

The information provided in this literature is for planning purposes only and subject to change. The flame and ember appearance may vary based on the type of fuel burned and venting configuration used. Actual product appearance, including flame, may differ from product images.

\*Please consult the MSRP book for a complete list of optional accessories.

\*\*For full warranty details, see appropriate installation manual.

©2009-2014 Hearth & Home Technologies.



HHT-1032U-0820