

NEW PREMIUM BIOMASS

METAL-FAB INC.



**PREMIUM
BIOMASS PRODUCTS
PELLET/CORN CHIMNEY**

FOR USE WITH BIOMASS FUEL-FIRED APPLIANCES.

Type L Biomass Chimney

For use with biomass fuels such as pellet, corn, wheat or other grassy and woody plants as specified by appliance manufacturers.

- Tested and Listed to UL641
- Pipe and fittings in 3" and 4" diameters.
- Factory-built double wall construction, using 444 stainless steel flue and galvanized steel outer casing.
- Continuous laser-welded inner flue and casing.
- 1" clearance to combustibles vent system, rated for continuous use of flue temperatures up to 570°.
- Silicone gaskets provide airtight seal eliminating fly ash leakage.
- Innovative twist-locking connections rotate 130° allowing seam alignment for an aesthetically pleasing installation.
- Limited Lifetime Warranty

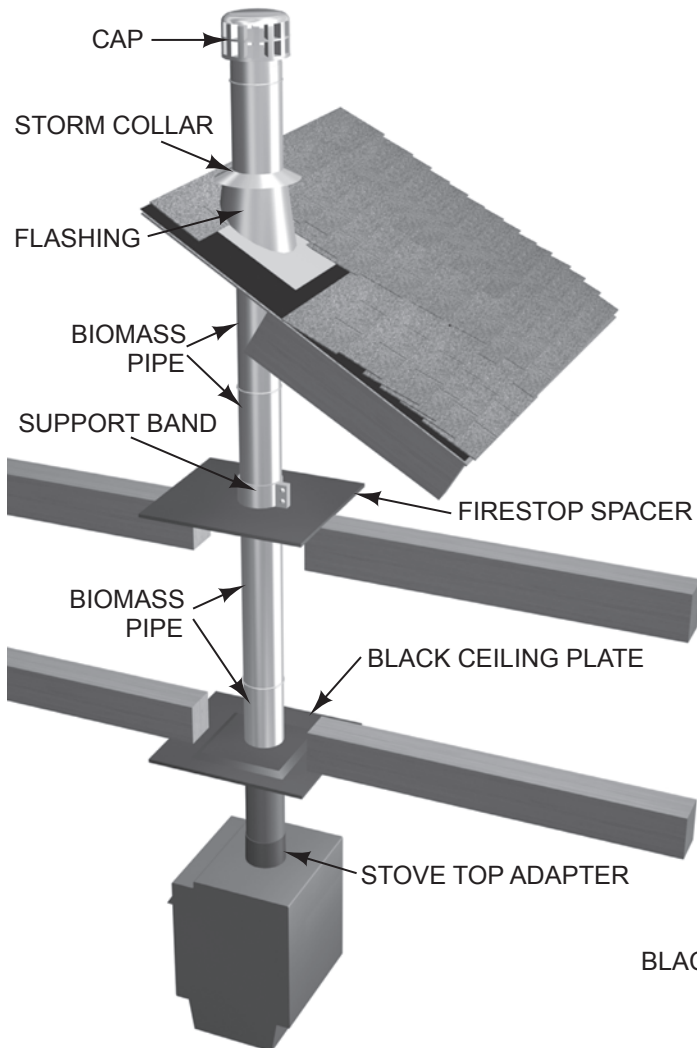


All Biomass Chimney components are available in matte black.

Just add "B" to the end of the part numbers you are ordering.

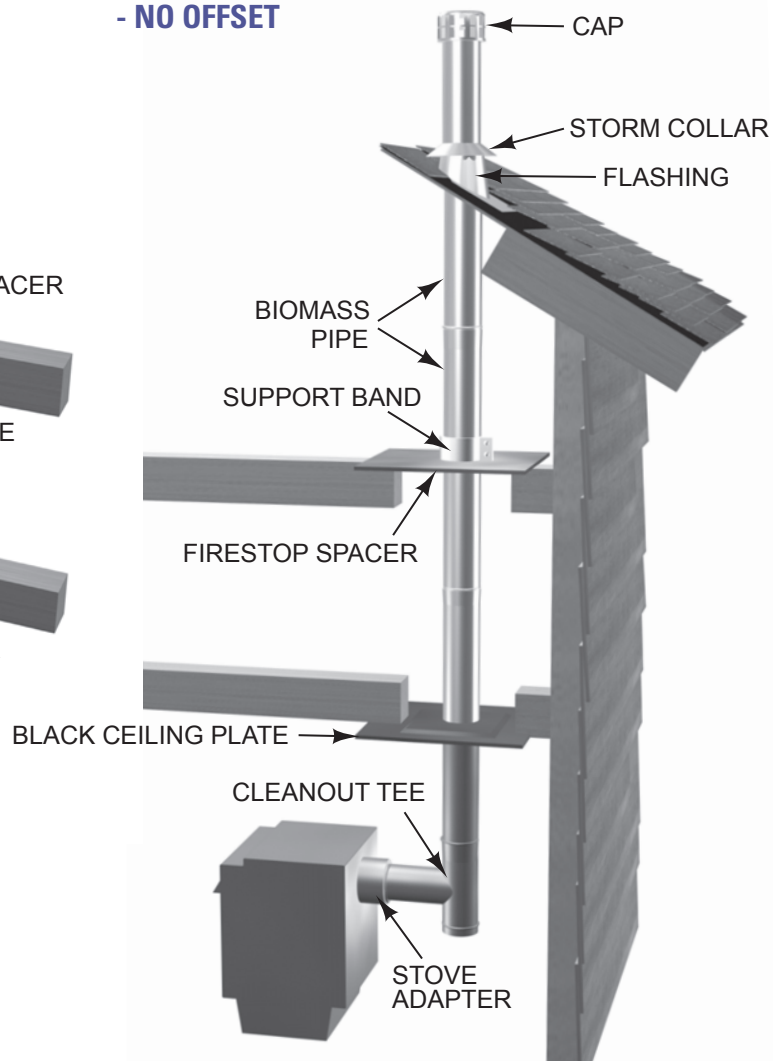
B

BIOMASS CHIMNEY INTERIOR - NO OFFSET

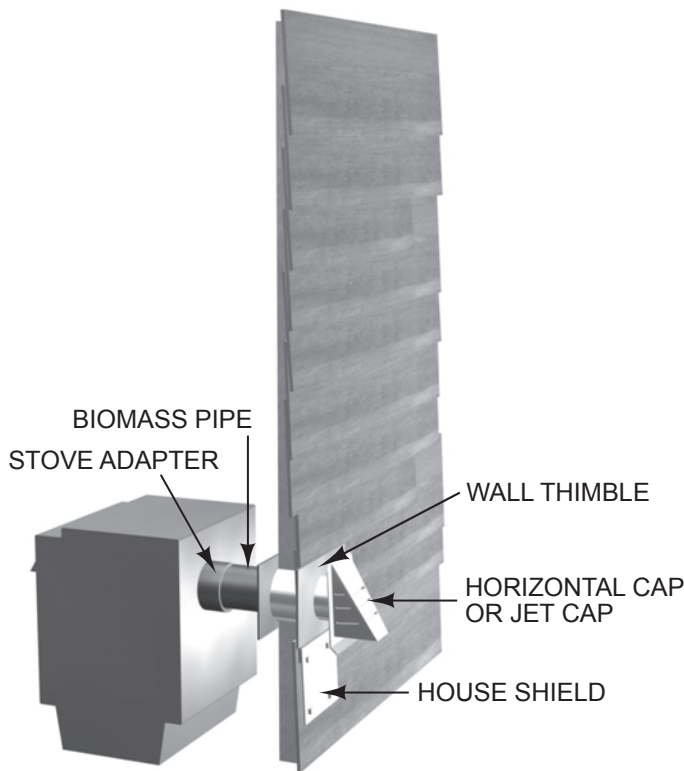


B Indicates available in black.

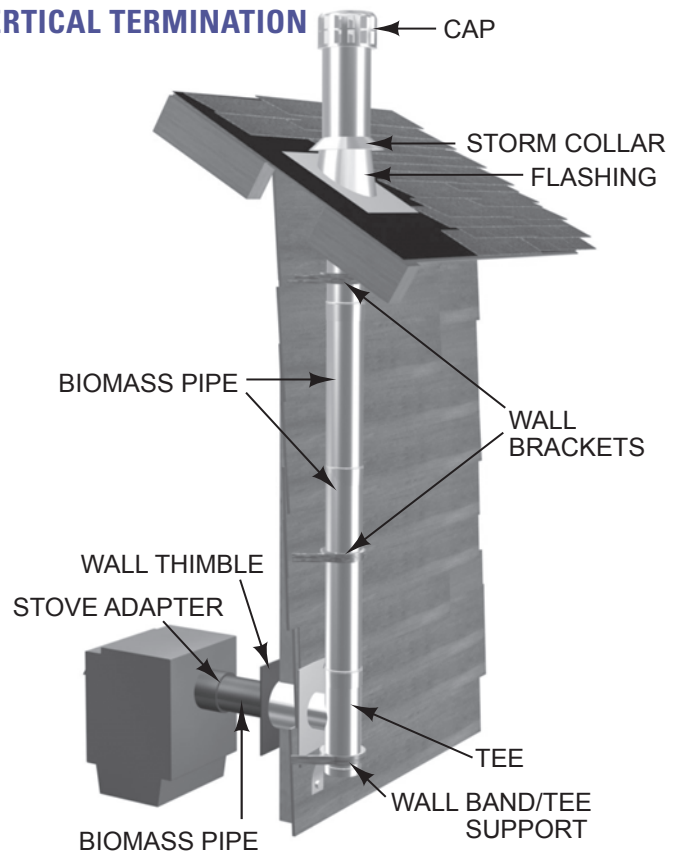
BIOMASS CHIMNEY REAR EXHAUST INTERIOR - NO OFFSET



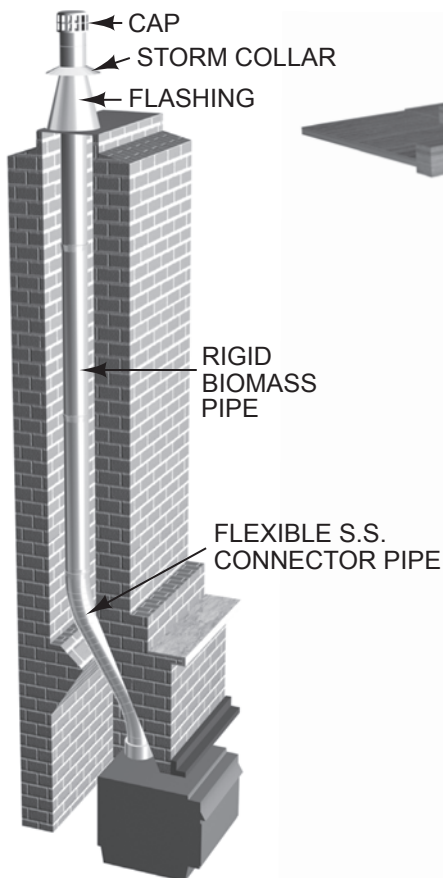
BIOMASS CHIMNEY REAR EXHAUST EXTERIOR



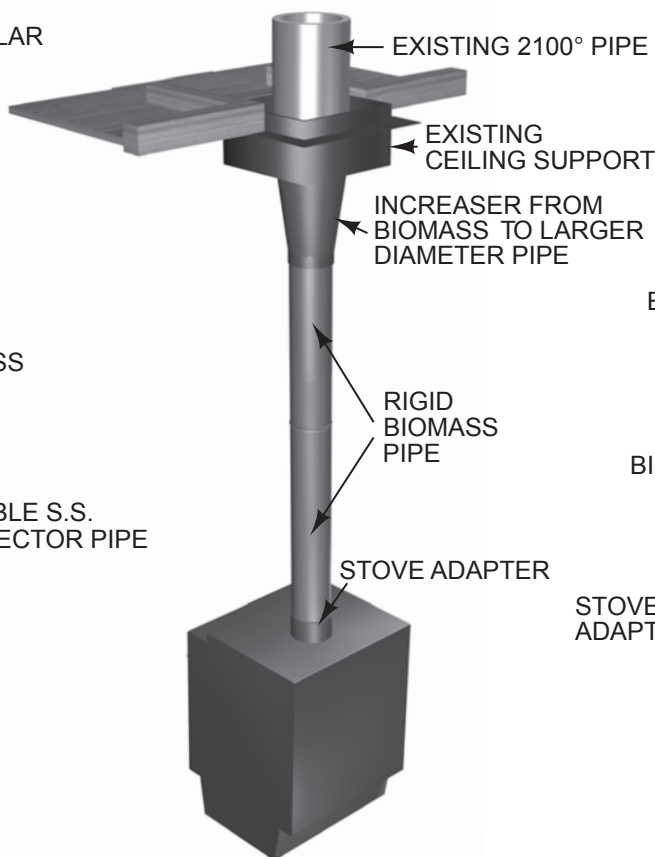
BIOMASS CHIMNEY REAR EXHAUST EXTERIOR - VERTICAL TERMINATION



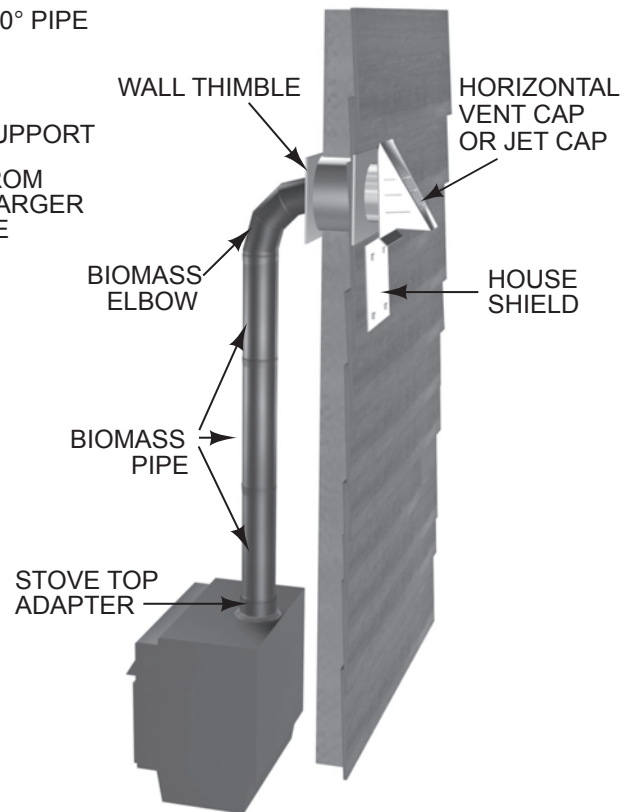
BIOMASS CHIMNEY APPLIANCE INSERT



BIOMASS CHIMNEY TOP EXHAUST INTO EXISTING 2100° CHIMNEY



BIOMASS CHIMNEY TOP EXHAUST - EXTERIOR



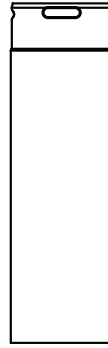
Note: Pipe overlaps 1½" when joined together. Assembled length is 1½" less than listed length.

RIGID PIPE LENGTHS – B48, B36, B24, B12, B6

B



444 stainless steel liner. Galvanized casing. 1" clearance to combustibles.



DIA.	OD	6"	12"	24"	36"	48"
3"	3.5"	X	X	X	X	X
4"	4.5"	X	X	X	X	X

ADJUSTABLE LENGTH PIPE – B12A

B

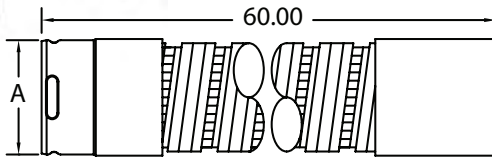


Adjustable length B12A is used when fixed pipe lengths are inappropriate. Adjustable from 4" to 8".

S.S FLEXIBLE CONNECTOR* – BFXC

*Contact Factory For Availability

5' Flexible connector length, with end fittings. Available in 3" and 4" diameter.



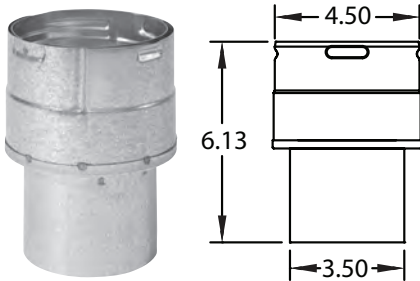
25' S.S. FLEX COIL – PFLX

3" and 4" diameter x 25' coils of special hi-temperature and acid resistant 316 stainless steel. Easily handled. Very flexible.



3" to 4" INCREASER – 3BI4

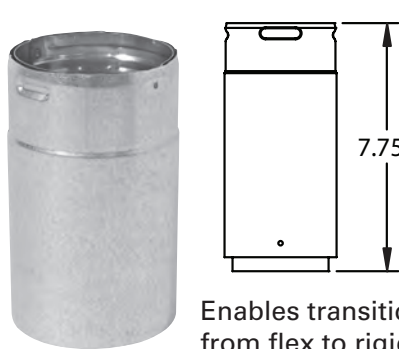
B



Provides transition from 3" to 4" diameter pipe

MALE FLEX ADAPTER – B4A

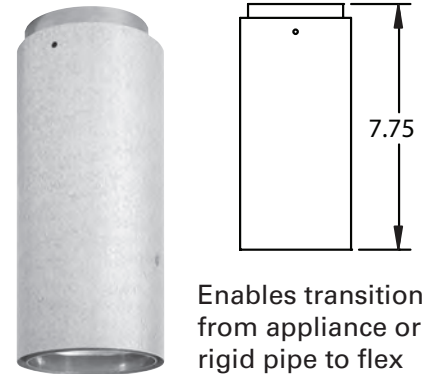
B



Enables transition from flex to rigid pipe.

FEMALE FLEX ADAPTER – B4FA

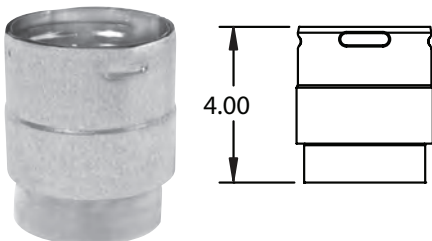
B



Enables transition from appliance or rigid pipe to flex pipe.

STOVE ADAPTER – STANDARD – BSA

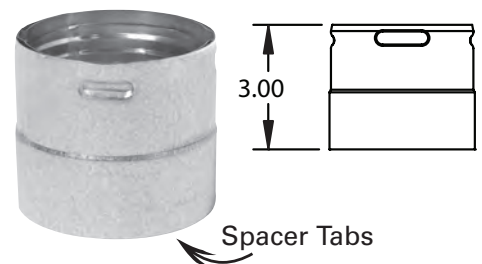
B



Use as a connector between stove exhaust collar and the positive twist lock of biomass chimney pipe. Order BSA when O.D. of exhaust collar is a true 3" or 4" dimension. Order BSAU when collar is less than 3" or 4" diameter.

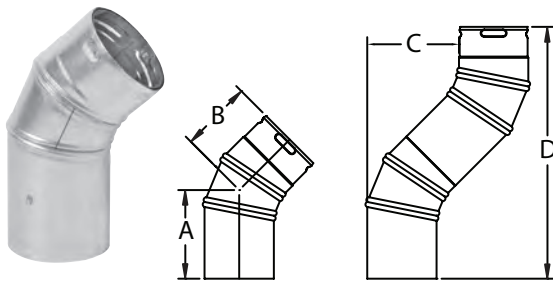
STOVE ADAPTER – UNIVERSAL – BSAU

B



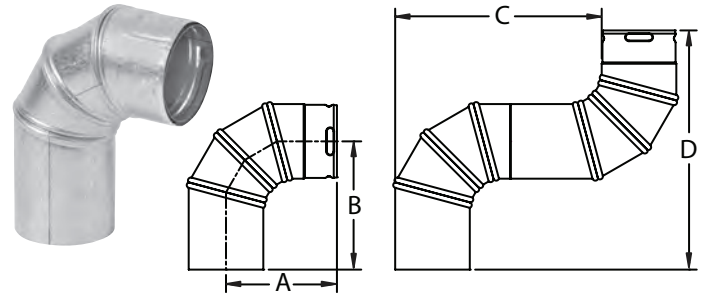
45° ELBOW – B45L

SIZE	A	B	C	D
3"	4.44	3.63	4.63	12.75
4"	4.75	3.88	5.00	13.63

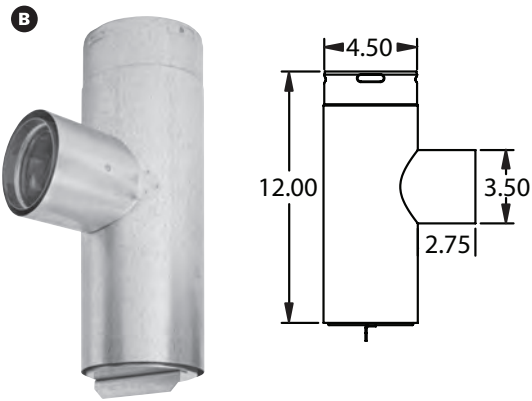


90° ELBOW – B90L

SIZE	A	B	C	D
3"	4.44	3.63	4.63	12.75
4"	4.75	3.88	5.00	13.63

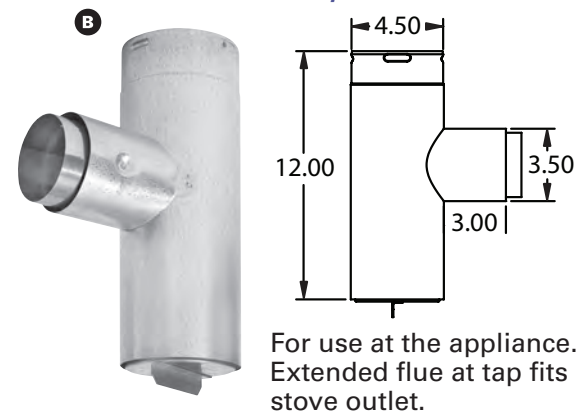


REDUCED TAP TEE W/PULL-OFF CAP – 4BT3



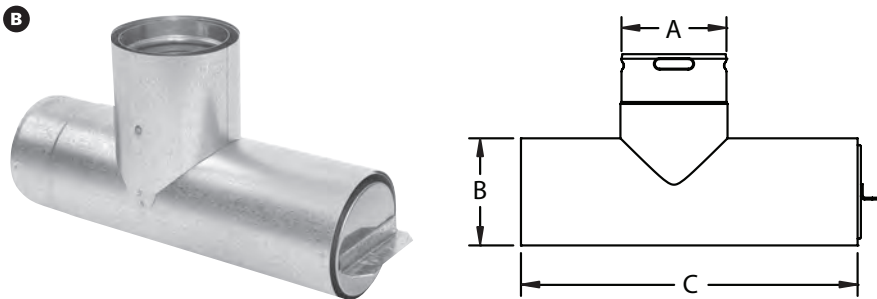
Use tee to transition from horizontal to vertical inside or to an exterior chimney that is mounted to a tee support.

REDUCED TAP TEE W/ADAPTER – 4BT3A



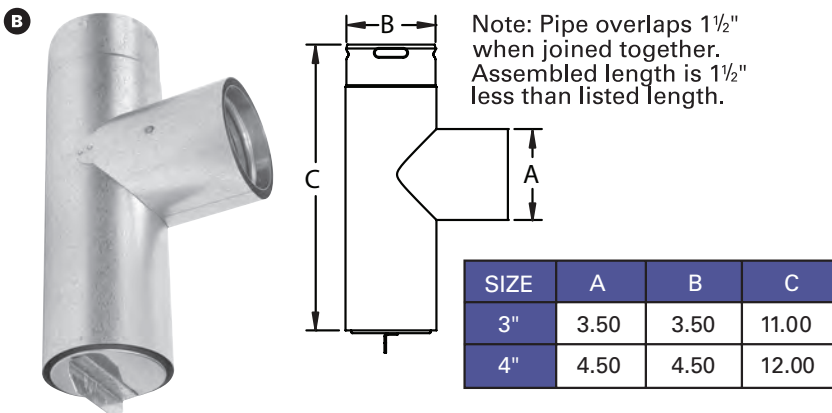
For use at the appliance. Extended flue at tap fits stove outlet.

HORIZONTAL CLEANOUT TEE W/TWIST-OFF TEE CAP – BCT



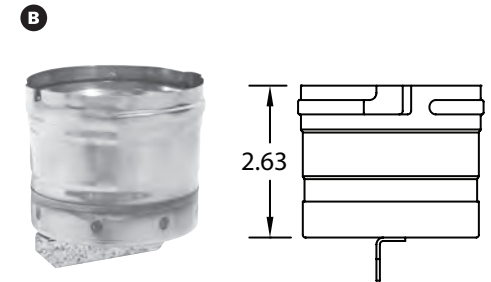
SIZE	A	B	C
3"	3.50	3.50	11.00
4"	4.50	4.50	12.00

VERTICAL CLEANOUT TEE W/TWIST OFF TEE CAP – BVCT



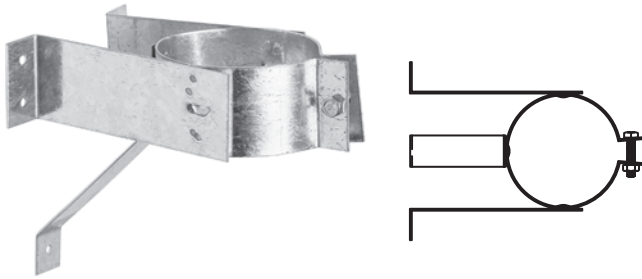
SIZE	A	B	C
3"	3.50	3.50	11.00
4"	4.50	4.50	12.00

TWIST-OFF TEE CAP – BCTC



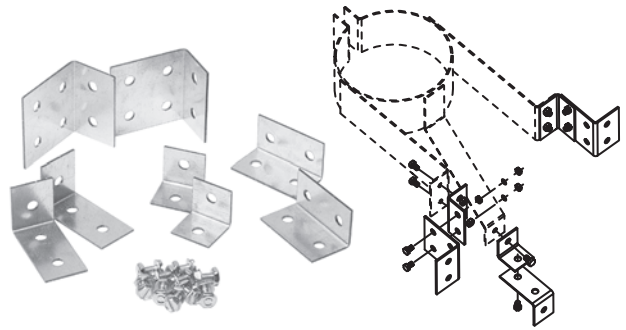
This part number applies when tee cap is sold separately.

COMBINATION WALL BAND/TEE SUPPORT – PWBS



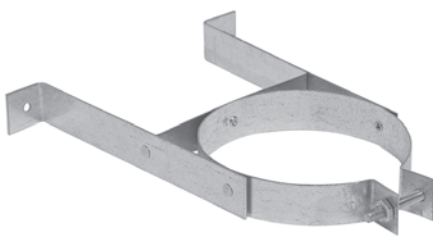
Provides exterior, vertical/lateral support for chimney. Maximum height of chimney which can be supported is 30 feet.

SUPPORT ADJUSTMENT KIT – PWAS



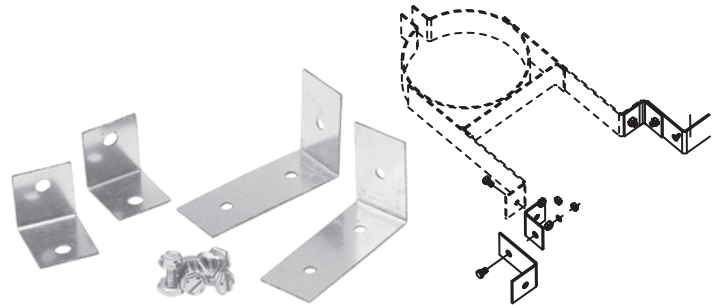
Enables adjustment of standard wall support (PWBS) from minimum 3" to maximum 5".

WALL BRACKET – PWB



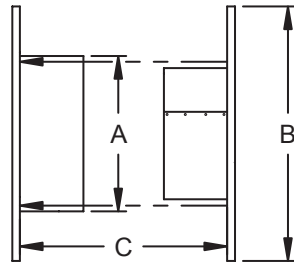
Used to provide lateral support while maintaining proper clearance. Recommended spacing is 6 ft. between bands above the starting point.

WALL BRACKET ADJUSTMENT KIT – PWBA



Enables adjustment of standard wall bracket (PWB) from minimum 3" to maximum 5".

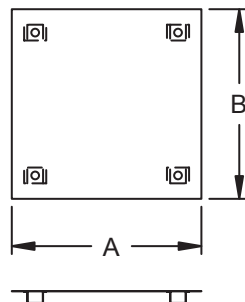
WALL THIMBLE – PWT



SIZE	A	B	C
3"	6.12	10.13	5.00 TO 9.50
4"	7.12	10.13	5.00 TO 9.50

Provides the proper clearance for the pellet/corn pipe when it passes through a combustible wall.

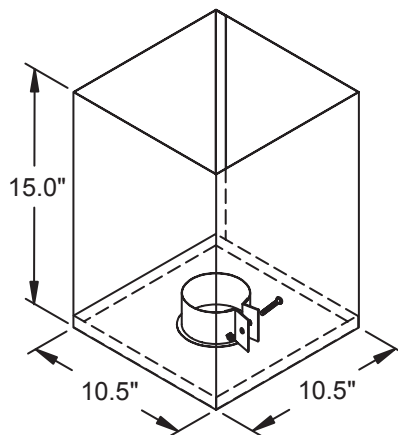
HOUSE SHIELD – PHS



SIZE	A	B
3"	12.00	18.00
4"	12.00	18.00

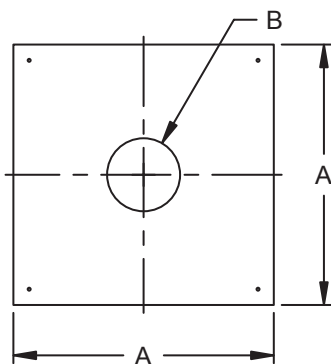
Used in horizontal vent applications to provide additional protection from discharge.

ROOF SUPPORT – PRS



For use on open beamed pitched roofs or ceilings. Includes trim pieces for finishing out installation. Also includes support band.

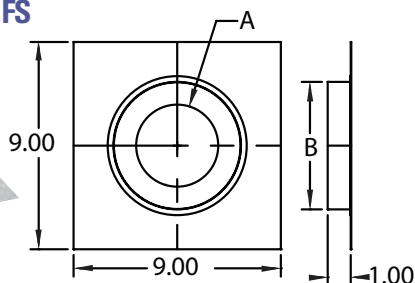
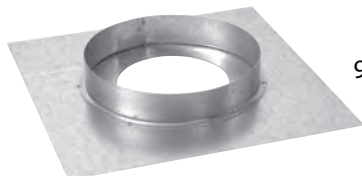
BLACK CEILING PLATE – PCP



SIZE	A	B
3"	17.50	3.63
4"	17.50	4.63

Used as an exposed surface trim piece where biomass chimney passes through a floor or ceiling.

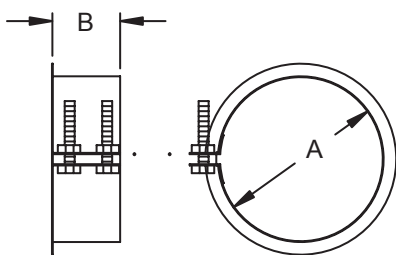
FIRESTOP SPACER – BFS



SIZE	A	B
3"	3.56	5.50
4"	4.56	6.50

Provides proper clearance where biomass chimney passes through a floor or the ceiling. Serves as a support plate for the support band (sold separately).

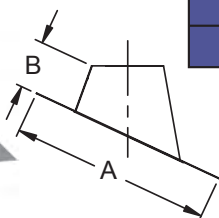
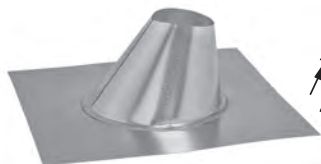
SUPPORT BAND – PSB



SIZE	A	B
3"	3.56	1.50
4"	4.56	1.50

Used to support the biomass chimney as it passes through the firestop spacer or roof support. This piece typically sits on top of the firestop spacer or inside the roof support.

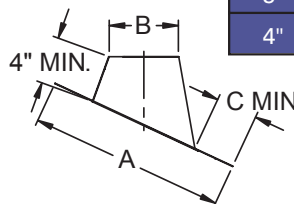
STANDARD FLASHING – PF



SIZE	A	B
3"	17.00	6.00
4"	17.00	6.00

Fits roof pitches from 2/12 to 5/12

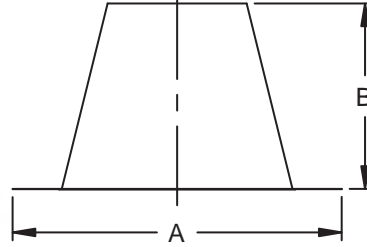
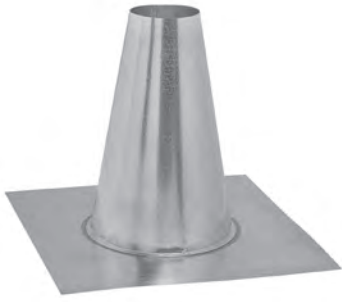
HIGH PITCH FLASHING – PF12



SIZE	A	B	C
3"	19.50	3.50	4.00
4"	22.50	4.50	5.75

Fits roof pitches from 6/12 to 12/12.

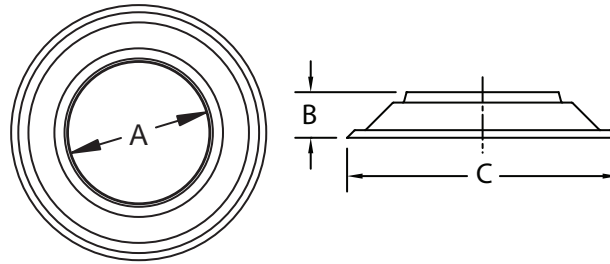
TALL CONE FLASHING – PFT



SIZE	A	B
3"	15.00	11.75
4"	15.00	11.75

Fits roof pitches from 0/12 to 2/12

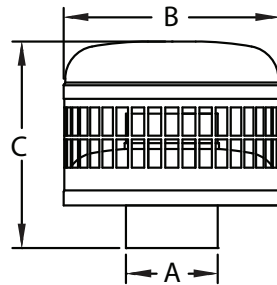
STORM COLLAR – PSC



SIZE	A	B	C
3"	3.53	1.13	6.25
4"	4.53	1.13	7.25

Used in combination with the flashing to ensure water-tight installation. Slips around pipe above the flashing.

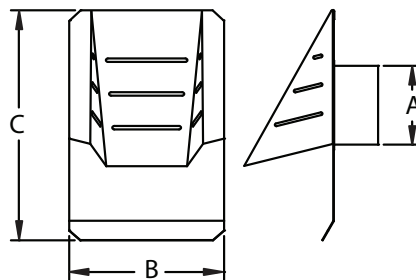
VERTICAL VENT CAP – BRC



SIZE	A	B	C
3"	3.50	8.25	7.88
4"	4.50	8.25	7.88

Stainless steel cap guards against rain, snow, and down drafts. Helps provide proper venting action. Attractive design enhances appearance.

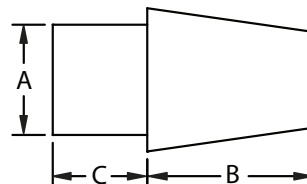
HORIZONTAL VENT CAP – BHC



SIZE	A	B	C
3"	3.50	7.00	10.00
4"	4.50	7.00	10.00

Stainless steel cap with birdscreen prevents entrance of pests and rain, and directs flue gasses away from dwelling.

HORIZONTAL JET CAP – BJC



SIZE	A	B	C
3"	3.50	5.25	3.00
4"	4.50	5.25	3.00

Jet cap directs flue gas away from dwelling.

