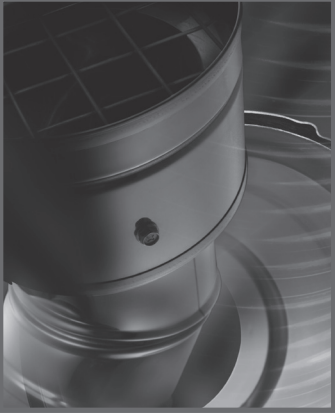


# PelletVent<sup>®</sup> Pro

## Installation Instructions



Venting System for Pellet, Corn, Oil,  
and Biofuel appliances.

**DuraVent<sup>®</sup>**

**A MAJOR CAUSE OF VENT RELATED FIRES IS FAILURE TO MAINTAIN REQUIRED CLEARANCES (AIR SPACES) TO COMBUSTIBLE MATERIALS. IT IS OF THE UTMOST IMPORTANCE THAT DOUBLE WALL PELLETVENT PRO BE INSTALLED ONLY IN ACCORDANCE WITH THESE INSTRUCTIONS.**

**NOTE:**

Read through all of these instructions before beginning your installation. Failure to install as described in this instruction will void the manufacturer's warranty, and may have an effect on your homeowner's insurance and UL listing status. Keep these instructions for future reference. This booklet also contains instructions for installing a venting system within an existing masonry chimney, and for installations passing through a cathedral ceiling.



MH8381, MH14420

**VENTING SYSTEM FOR PELLET, CORN, OIL, AND BIOFUEL APPLIANCES.**

*For the most up-to-date installation instructions, see [www.duravent.com](http://www.duravent.com)*

**CONTENTS**

Clearances, Vent Listing, Installation Notes, Lubricants & Gaskets . . . .	4
Sealants, Fuel Selection, Best Practices . . . . .	5
Tools Needed, Permits, General Installation Instructions . . . . .	6
Installation into Masonry Fireplaces . . . . .	15
Installation Through Side of Masonry Chimney . . . . .	17
Installation in a Cathedral Ceiling . . . . .	18
Cleaning and Maintenance . . . . .	21

# PelletVent® Pro

## CLEARANCES AND APPLICATIONS

DuraVent's PelletVent Pro is listed by Underwriters Laboratories as vent for listed appliances that burn oil, pellet, corn, and other biofuels. PelletVent Pro is also listed as a masonry reliner with the minimum clearance 0" from vent to masonry, and 0" clearance from the masonry to nearby combustibles. Never fill any required clearance space with insulation or any other materials (except insulation explicitly approved by DuraVent as noted below). Combustible materials include (but are not limited to) lumber, plywood, sheetrock, plaster and lath, furniture, curtains, electrical wiring, and building insulation except that noted below.

In the United States and Canada the minimum clearance to combustibles from PelletVent Pro is 1" for oil, pellet, corn or other biofuel applications.

## NON-COMBUSTIBLE INSULATION

DuraVent approves the field application of non-combustible insulation within the clearance to combustible distance (in wall thimbles or support boxes only) if/when desirable. Approved insulation must be listed / compliant with ASTM E136/ULC S114 as Non-Combustible, have a melting temperature above 2000°F/1100°C, be water resistant with low moisture absorption and be acceptable to the AHJ. Materials would include those made from stone (aka "rockwool" or "mineral wool" insulations). **NOTE- Fiberglass insulation is NOT approved!**

## VENT LISTING

PelletVent Pro is listed by Underwriters Laboratories (files MH8381 & MH14420) to UL 641 Type L Low Temperature Venting Systems,

UL1777 Relining, ULC S609 Low Temperature Vents, and ULC/ORD-C441 Standard for Pellet Vents .

## INSTALLATION NOTES

Proper planning for your PelletVent Pro installation will result in greater safety, efficiency, and convenience, saving both time and money. Use only authorized DuraVent PelletVent, CornVent, PelletVent Pro and MGNA listed parts. Do not install damaged parts.

- 1. WARNING:** When passing through ceilings and walls, make sure all combustible materials and combustible building insulation products are a minimum of 1" from the vent pipe
2. For horizontal terminations, make sure NFPA 211 rules are followed for minimum distance from windows and openings.
3. Do not mix and match with other manufacturer's products or improvised solutions.
4. Practice good workmanship. Sloppy work could jeopardize your PelletVent Pro installation.
5. Never use a vent with an inside diameter that is smaller than the appliance flue outlet.
6. Multistory: Where PelletVent Pro passes through the ceiling, use DuraVent Firestop/ Support assembly.
7. PelletVent Pro placement: When deciding the location of your stove and vent, try to minimize the alteration and reframing of structural components of the building.
8. Sections of pipe are connected to each other by pushing them firmly together and twisting. Screws are not required. However, if screws are desired, use 1/4"-long sheet metal screws. Important! Do not penetrate the inner liner with screws.
9. Never install single-wall pipe to freestanding

pellet stoves. Single-wall pipe may be connected to a fireplace insert, provided it is inside the fireplace, and the fireplace has completely sealed surroundings.

**10.** Do not connect Type B Gas Vent pipe with aluminum liners to pellet appliances.

## LUBRICANTS & GASKETS

PelletVent Pro utilizes an internal O-ring gasket on the outside of the inner liner in the female end of the Pipe Section. Depending on production date, these gaskets may be factory lubricated or field lubricated with soapy water / anti-seize. If your O-ring gasket is missing or it becomes damaged during connection, you must replace and lubricate the new O-ring gasket. Contact DuraVent technical service for further information.

## SEALANTS

PelletVent Pro does not require additional sealant to be used at pipe joints, but in certain circumstances sealant may be used if desired. Seal the inner liner overlap at the male end of pipe for best results (*Figure 6*)

Note: 500°F RTV silicone sealant is required on the following component connections:

- Connecting PelletVent Pro biofuel (with gaskets) to PelletVent Pro (without gasket) or another PelletVent or CornVent.
- Connecting certain Appliance Adapters or other non-gasketed parts to the appliance outlet
- When using the Adjustable Length section.

## FUEL SELECTION, BEST PRACTICES

PelletVent Pro is a multi-fuel venting system approved for burning wood

pellets, corn, and other approved biofuels, plus, oil and kerosene. Be sure to follow the recommendations of the appliance manufacturer for the burning of corn or other types of biofuel. A major reason for accelerated vent corrosion from burning corn is due to acidic condensate forming in the system. The moisture content of corn contributes significantly to condensate in the vent. The lower the moisture content of the corn, the less condensate you are likely to have in the vent. While corn with a moisture content of 15% may be allowed in the appliance, using a fuel with lower moisture content will help reduce condensate formation.

**Vent Runs:** Condensate is more likely to form in longer vents because the exhaust temperature cools further away from the appliance. If the exhaust cools to a certain point, moisture in the exhaust condenses in the vent, which can lead to accelerated vent corrosion. Keep the vent for corn-burning appliances short wherever possible to maintain hot flue gas temperatures and keep moisture suspended in the exhaust. If a longer horizontal vent or taller vertical vent is needed, it is recommended that the vent run inside the building envelope or inside a chase enclosure to minimize the vent's exposure to cold temperatures. When terminating a corn burning system horizontally a stainless steel outer Pipe Section and the Round Horizontal Termination Cap are required. Be sure to follow all other applicable building codes and maintain all minimum clearances in enclosures.

**Appliance Operation:** Regardless of the fuel you choose always operate your appliance in accordance with the appliance manufacturer's recommendations. If you burn corn, operating the appliance at its lowest setting has a greater chance for condensate to form in the vent due

to the low exhaust temperature. In order to help reduce condensate from forming inside the vent system, operate the appliance at higher temperatures when colder weather is encountered. Higher operation settings provide for warmer flue temperatures, which help to keep moisture suspended in the flue gases.

**Inspection and Maintenance:** When burning corn, be sure to inspect the appliance and vent often to determine if there has been any corrosion or damage to the system. Be sure to keep the venting system clean, including the tee cap (if applicable). The ash that results from burning corn can trap condensate in the tee cap and inside the vent, hastening corrosion to the system if left unchecked. Using pelletized fuel does not eliminate the need for inspection and cleaning. Lesser quality pellets create more soot accumulation and can clog venting sooner than the cleaner burning pellets. While it is not necessary to clean out liquid fuel burning systems with a brush, all other systems should be visually inspected monthly during the heating season, and cleaned at least once a year

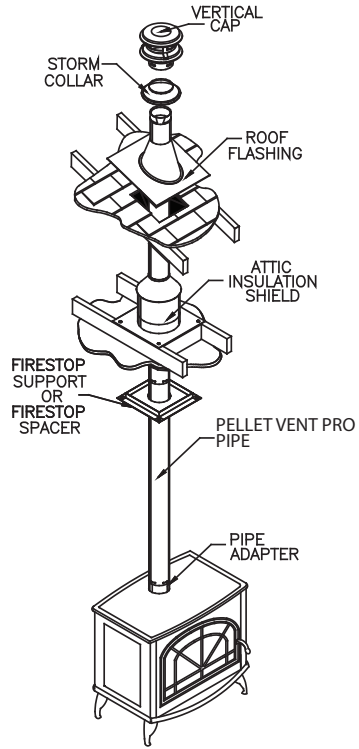


Figure 1

## TOOLS AND EQUIPMENT YOU MAY NEED

- Eye Protection
- Gloves
- Screwdriver
- Hammer
- High-Temperature Waterproof (RTV) Sealant
- Tape Measure
- Saber or Keyhole Saw
- Level and Plumb bob

## PERMITS

Contact your local building department or fire officials regarding any needed permits,

restrictions, and installation inspection requirements in your area.

## GENERAL INSTALLATION INSTRUCTIONS

PelletVent Pro is listed with a minimum 1" clearance to combustibles

1. Follow the stove/appliance manufacturer's instructions.
  - A. Choose an appliance that is listed by a recognized testing laboratory.
  - B. Connect only one flue per appliance.
  - C. Only burn fuels approved for use by your appliance manufacturer.

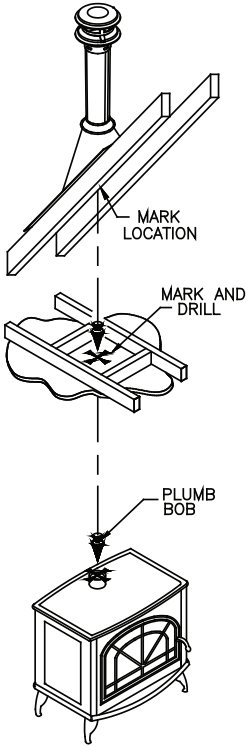


Figure 2

D. Follow the appliance manufacturer's instructions and safety manual for maximum efficiency and safety. Over firing can damage the appliance and vent.

2. If the vent exit is on top of the stove (**Figure 1**):

A. Place the appliance according to the manufacturer's instructions.

B. Drop a plumb bob to the center of the appliance flue outlet and mark center point on the ceiling (**Figure 2**). At your marked center point, cut and frame a square hole in the ceiling for installation of the Ceiling Support or

PELLETVENT PRO COMPONENT	FRAMING DIMENSIONS
3" & 4" CEILING SUPPORT / FIRESTOP SPACER	7 1/4" X 7 1/4"
3" & 4" CATHEDRAL CEILING SUPPORT BOX	10 3/4" X 10 3/4"
3" & 4" WALL THIMBLE 3" & 4" CAS WALL THIMBLE	7 1/4" X 7 1/4"
3" & 4" WALL THIMBLE AIR INTAKE KIT	11" X 11"

Table 1

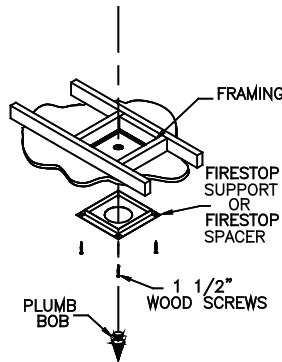
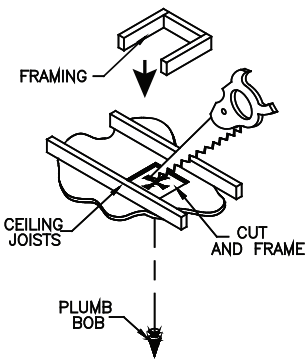


Figure 3

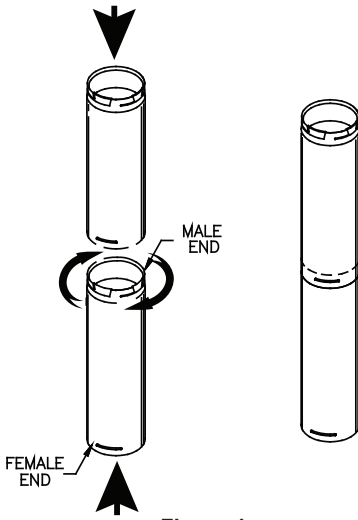


Figure 4

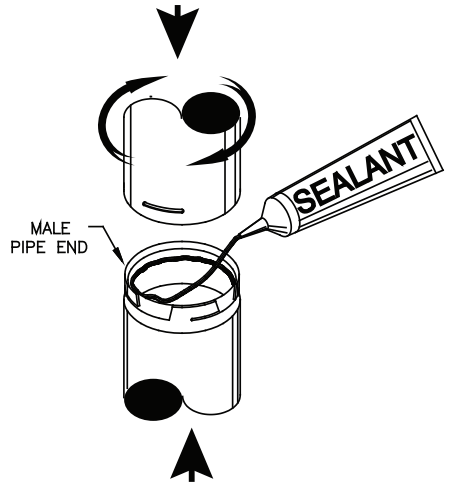


Figure 5

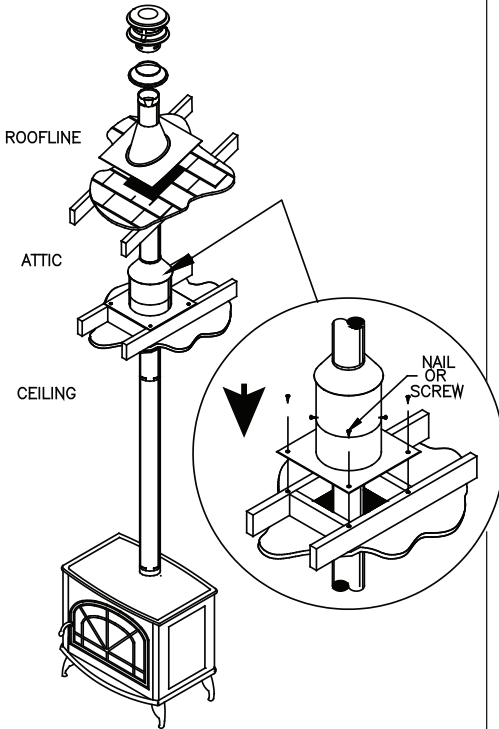


Figure 6

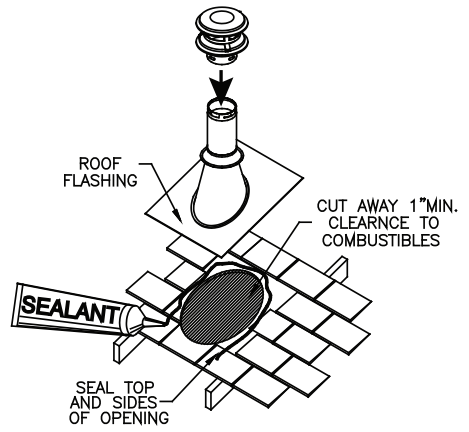


Figure 7



Firestop Spacer (**Figure 3**). Refer to **Table 1** for the dimensions of the hole.

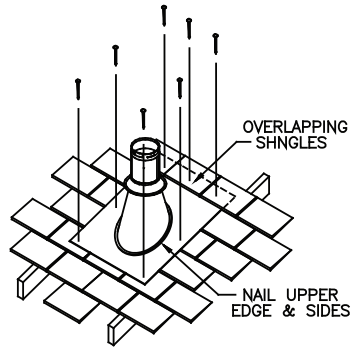
**C. Connect Pipe Adapter or In creaser Adapter to stove:** Due to the variety of different stove collars, the Pipe Adapter will need high-temperature non-hardening sealant in order to achieve a leak-free connection. .

**D. Connect Pipe Sections.** Attach PelletVent Pro Pipe Sections by pushing male and female ends of pipe together and twisting until pipe is in locked position (**Figure 4**). PelletVent Pro pipe sections do not require any sealant; however in certain instances high temp silicone sealant may be used. Seal connection where the inner liners overlap for best results (**Figure 5**). Screws are not needed, but 1/4" screws can be used if desired, however, be sure you do not penetrate the inner liner.

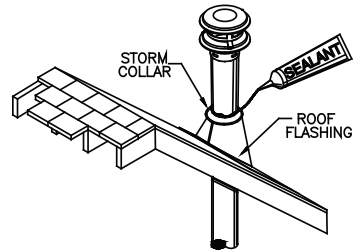
**E.** When the pipe passes through the Ceiling Support Firestop Spacer at ceiling, tighten bolt and clamp around pipe. Where the vent passes through additional floors and ceilings, always install a Ceiling Support Firestop Spacer.

**F. ALWAYS MAINTAIN AT LEAST 1" CLEARANCE FROM COMBUSTIBLE MATERIALS TO THE VENT PIPE.**

**G.** When the PelletVent Pro enters the attic, install an Attic Insulation Shield around the vent (**Figure 6**). This will prevent insulation and debris from collecting near the vent pipe. Use (4) nails or wood screws to secure the base of the Attic Insulation Shield to the framed opening. Adjust the height of the Attic Insulation Shield by sliding the top cylindrical shield over the one from the base. Ensure that the top of the Shield is above the level of building insulation. Secure the Shield in place with at least two (2) sheet metal screws through the side of the cylindrical shield. Attach collar around pipe, then lower to the top of the Attic Insulation shield.



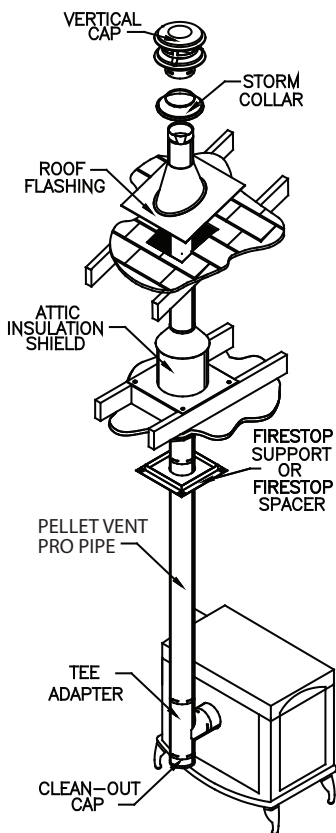
**Figure 8**



**Figure 9**

**H.** After lining up for the hole in roof, using the same method as 2. (B), cut either a round or square hole in the roof (**Figure 7**). Always cut the hole with the proper clearance to the vent pipe. Install the upper edge and sides of Flashing under the roofing materials and nail to the roof along the upper edge and sides (**Figure 8**). Do not nail across the lower edge. Seal all nail heads with non-hardening waterproof sealant.

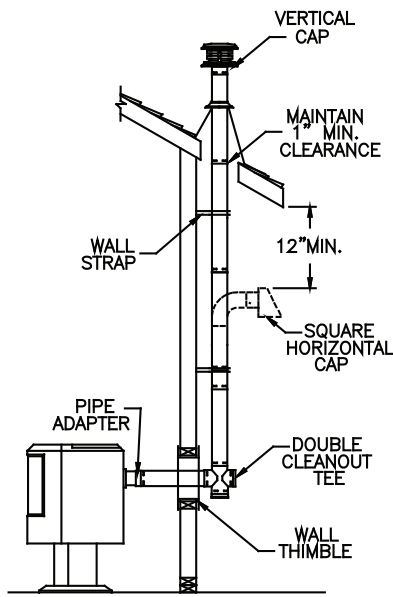
**I.** To finish, apply non-hardening waterproof sealant where the Storm Collar will meet the vent and Flashing; slide Storm Collar down until it rests upon the Roof Flashing (**Figure 9**). Holding the base of Cap, firmly twist lock your Vertical Termination Cap onto supported Pipe



**Figure 10**

Section protruding through the roof line.

- 3.** If the flue exits on back of stove and an interior installation is desired (**Figure 10**):
  - A.** Place the appliance according to the manufacturer's instructions.
  - B.** Connect the Tee Adapter or combine Tee with Cleanout and Pipe Adapter then seal and secure the Pipe Adapter to the back of the stove.
  - C.** Continue to assemble Pipe Sections as described in **Step 2**.
- 4.** If the flue exit is on the back of stove, and



**Figure 11**

an exterior vertical installation or partial vertical installation is desired (**Figure 11**):

- A.** Place the appliance according to manufacturer's instructions.
- B.** Cut and frame a square opening in the wall as specified in **Table 1**. PelletVent Pro can be installed with the standard Wall Thimble, Wall Thimble Air Intake Kit , or CAS Wall Thimble for through the wall installations. If the CAS Wall Thimble is used, refer to the PelletVent Pro CAS Installation Instructions for direction on how to install the Combustion Air System (CAS). The Wall Thimble Air Intake Kit allows combustion air to be drawn through the framed Thimble opening, eliminating the need to cut another opening in wall. The small flex provided with this kit allows connection to the Pellet Stove combustion air inlet. Note that when installing the Wall Thimble Air Intake Kit, the pipe will not be centered within the framed opening. Loosely assemble both

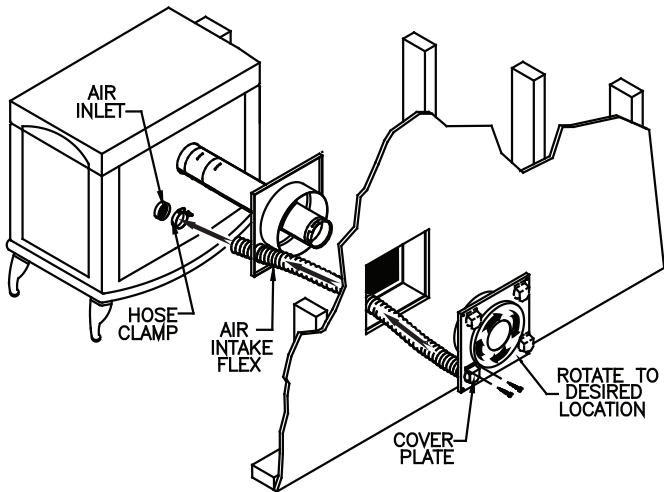


Figure 12

halves of the Wall Thimble onto Pipe Section. Connect the flexible hose with clamp to the exterior half of the Wall Thimble. Guide the flex through the opening in black interior half of Wall Thimble, gently pull the flex towards appliance (**Figure 12**), and if necessary trim excess flex to required length with snips. Secure flex to combustion air inlet of the stove with clamp provided. Only connect metal flex to the appliance; do not substitute or install plastic flex. The cover plate comes installed on the lower left corner of the thimble with intake guard pointing downward to deflect rain. If it is desired to rotate thimble and air inlet to another corner, remove the (2) screws on the inlet guard and re-attach over air inlet at new location. Secure black interior half of the Wall Thimble to the interior wall, and the unpainted exterior half are to be secured to the exterior wall on both styles of thimbles (**Figure 13**). The Wall Thimbles adjust to fit walls from 4"-8" thick. For installation in thicker walls an extension tube may be field fabricated.

**WARNING:** Do **NOT** install any combustible insulation or other combustible material not approved by DuraVent within the Wall Thimble

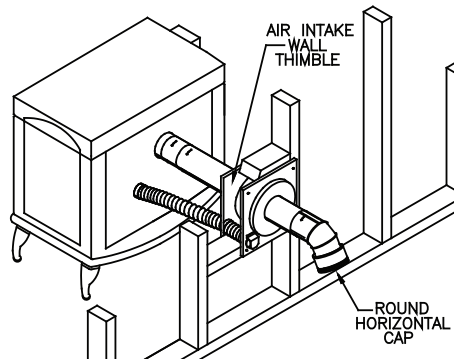


Figure 13

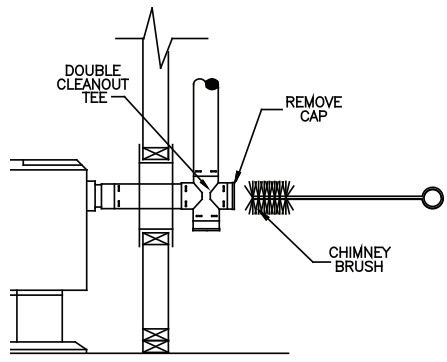


Figure 14

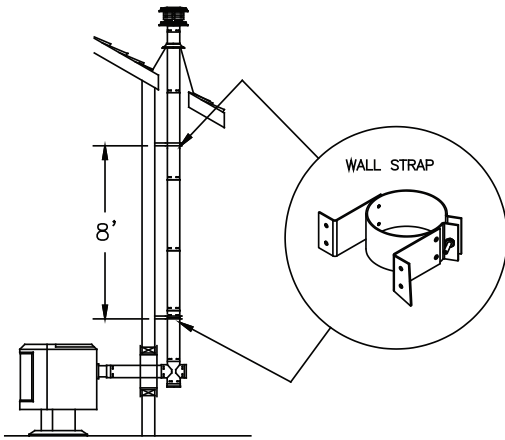


Figure 15

itself. Doing so can create a fire hazard. The Wall Thimble ensures the clearance to combustible material is maintained to make a safe installation. Non-Combustible insulation (as defined earlier in this text) may be installed within the thimble and clearance to combustible distance if desired. **Note:** **Fiberglass insulation is NOT APPROVED.**

**C.** Connect a Pipe Adapter and Pipe Section together then seal connection to rear exhaust outlet. Attach a Single Tee with Clean out adapter or a Double Tee with Clean-Out Adapter, and proceed attaching Pipe Sections up the wall. Installing a Double Tee with Cleanout Adapter on the exterior of wall, allows brushing of the Horizontal Vent run through to appliance (**Figure 14**).

**D.** Attach Wall Strap just above the tee. Wall Straps must be placed every 8-feet along an exterior vertical run (**Figure 15**). If your exterior vertical run terminates horizontally before penetrating the roofline, install at least one Wall Strap on the Pipe Section before 90 Degree Elbow and Horizontal Cap (**Figure 16**). Under no circumstances can a Vertical Cap be installed adjacent to vertical wall. PelletVent Pro offers fixed and Adjustable Wall Straps to maintain a 1"-3" clearance, as desired. If Assemble Pipe Sections in the same manner described in Step 2 of the general instructions.

**E.** Seal the exterior section of the Wall Thimble to the wall with non-hardening waterproof sealant. As an option, you may also seal the gap between the pipe and Wall Thimble with sealant.

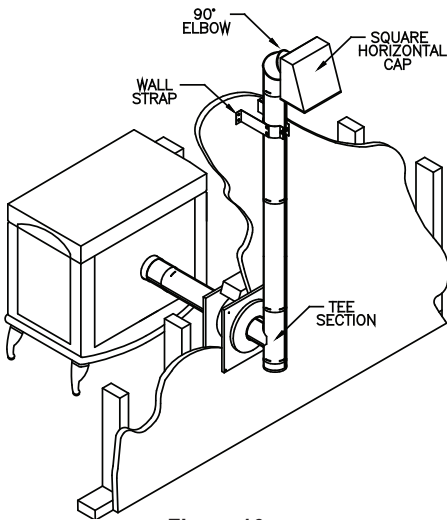
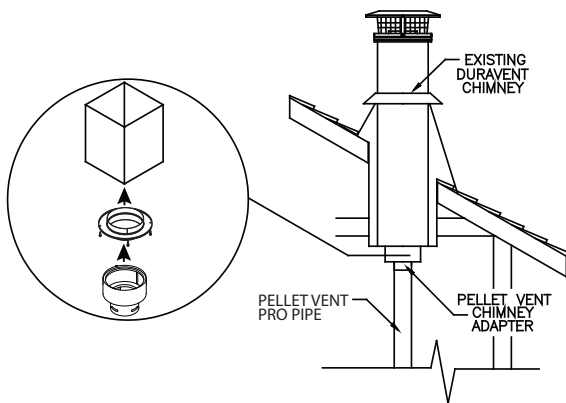


Figure 16

**5.** If the flue exit is on back of the stove, and a horizontal through-the-wall installation is desired (**Figure 13**):

**A.** Place the appliance according to manufacturer's instructions.



**Figure 17**

**B.** Connect the Appliance Adapter and sufficient Pipe Sections, seal and secure to back of stove. Horizontal Pipe sections must penetrate Wall Thimble and extend at least 6" beyond the exterior wall after Horizontal Cap is attached. If you are burning Corn you must use a Round Horizontal Cap. Pipe Sections exposed to exhaust gases between wall and Cap must have a Stainless Steel outer liner. The Round Horizontal Cap can be swiveled to be directed away from nearby objects (fence, plants, etc.), but must still be pointing in a generally downward direction. Important: Horizontal Caps must be pointed in a downward direction to insure rain and snow do not enter the cap, and cause potential damage to the appliance.

**C.** Follow the below listed NFPA 211 rule for distance of exit terminal from windows and openings:

NFPA 211 (2006 ed.) Section 10.4 Termination: 10.4.5

(1) The exit terminal of a mechanical draft system other than a direct vent appliance (sealed combustion system appliance) shall be located in accordance with the following:

(a) Not less than 3 ft (.91m) above any forced air inlet located within 10 ft. (3m).

- (b) Not less than 4 ft. (1.2m) below, 4 ft. (1.2m) horizontally from or 1 ft. (305mm) above any door, window or gravity air inlet into any building
- (c) Not less than 2 ft. (0.61m) from an adjacent building and not less than 7 ft. (2.1m) above grade when located adjacent to public walkways.

If using the Wall Thimble Air Intake Kit, the installation may be considered a direct vent system, as defined by NFPA 211. Check with local building officials for clarification. If so, the clearances for the exit terminal are as follows: For an appliance with an input of 10,000 Btu/h (2930 W) or less, the vent terminal shall be located at least 6" from any opening into a building. For an appliance with an input of greater than 10,000 Btu/h but less than 50,000 Btu/h (14650 W), the vent terminal shall be located not less than 9" from any opening into a building. For an appliance with an input over 50,000 Btu/h (14650 W), the vent terminal shall be located not less than 12" away from any building opening. The bottom of the vent terminal and air intake must be located a minimum of 12" above grade.

**6.** If it is desired to attach to an existing 6"-

8" DuraTech, DuraPlus or DuraPlus HTC chimney, either roof supported or ceiling supported (**Figure 17**):

- A.** Remove any existing connector pipe, adapter or connector going into the ceiling support box.
- B.** Visually inspect with a flashlight the condition of the interior of the chimney for cleanliness and structural integrity. All evidence of soot and creosote must be removed from the existing chimney system. If you doubt your ability to accomplish this, contact a certified chimney sweep. Do not use chemical cleaners, as these can possibly damage the inside of the chimney. Do any required maintenance on the existing chimney system at this time.
- C.** Install a DVL/DuraBlack Chimney Adapter in the existing Ceiling Support Box. Note that

the DVL/DuraBlack Chimney Adapter only connects to DuraVent chimney systems.

- D.** Connect the appropriate size Chimney Adapter to the DVL/DuraBlack Chimney Adapter.
- E.** Connect the appliance to the Chimney Adapter using an Appliance Adapter, lengths of pipe as required, and an Adjustable Length pipe. Slide the Adjustable Length down over the top pipe section, position the installation vertically plumb, then slip the Adjustable Length up and twist lock it to the Chimney Adapter. Once all the components are firmly seated and properly aligned, carefully drill three 1/8" diameter holes through the outer sleeve only in the center of the slots located at the bottom of the Adjustable Length pipe. Do not penetrate the inner liner. Use (3) 1/4" length sheet metal screws to secure the

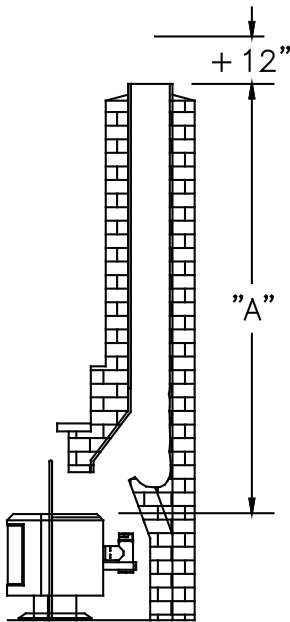


Figure 18

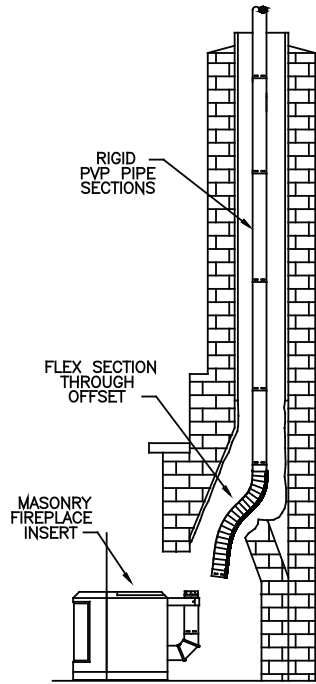


Figure 19

Adjustable Length pipe.

## INSTALLATION INTO A MASONRY FIREPLACE

1. Have the masonry chimney inspected by a certified chimney sweep or installer to determine its structural condition.
2. Carefully read the pellet stove or insert installation instructions.
3. Measure and record the dimensions as shown in (Figure 18).
4. Use dimension "A" to determine total pipe requirements. Add 12 additional inches to ensure the termination is an adequate distance above the roofline.
5. The gross pipe required will be dimension "A" plus 12 inches. Five feet of this will be Flex Pipe. The remainder will be rigid pipe. For each joint, subtract 1-1/2 inches to allow for

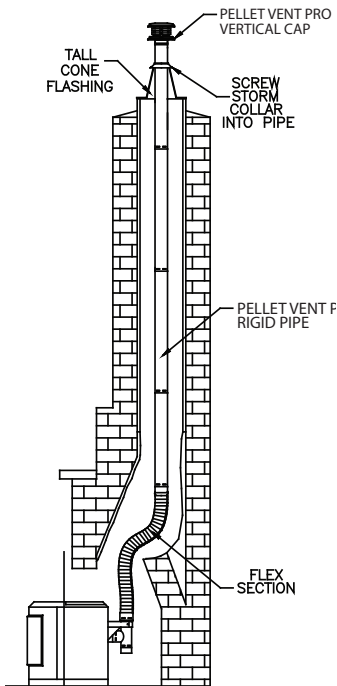


Figure 20

the overlap. You may need extra pipe, or an adjustable length pipe section to achieve the correct height.

6. Assemble the first rigid Pipe Section to the Flex Pipe, ensuring that the "UP" arrows shown on the pipe labels are, in fact, pointing up. Push the sections together and twist to lock. Screws are not required for a firm lock, however, should it be desired to use them, use stainless steel sheet metal screws 1/4-inch long - do not penetrate the inner liner of the pipe.
7. Repeat this process for the remainder of the pipe sections, and lower the assembly down the chimney as shown in (Figure 19).

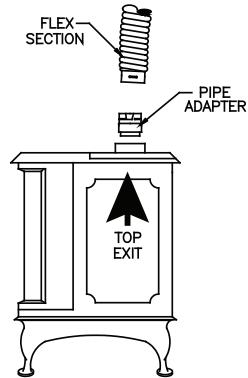


Figure 21

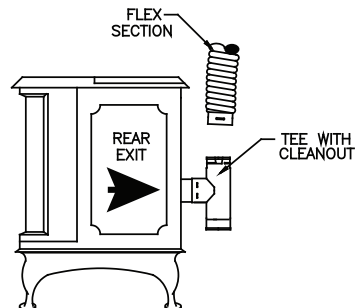


Figure 22

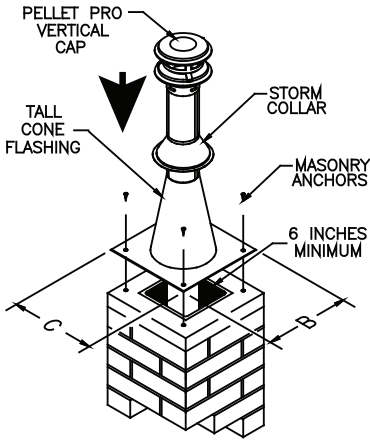


Figure 23

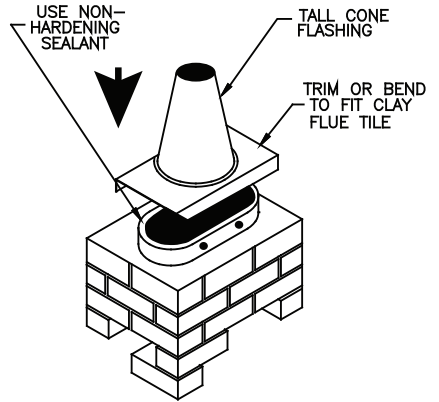


Figure 25

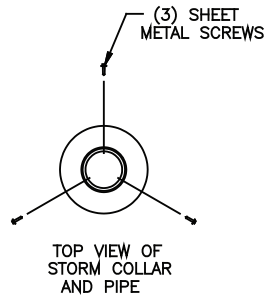
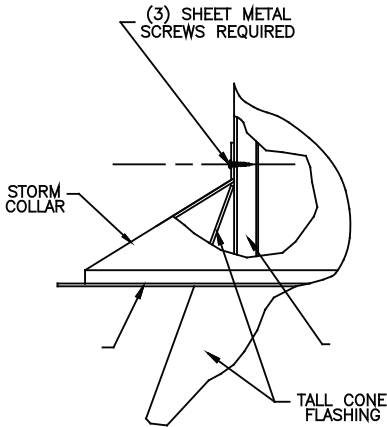


Figure 24



Lower it below its normal position in order to connect the Flex Pipe to the pipe on the appliance. It may be necessary to tie a line to the top section, to pull it back up later.

8. In making the connection at the appliance, configurations other than the one shown in **(Figure 20)** may be made. It may be necessary to contact the manufacturer of the unit to determine exactly what may or may not be done to make the correct connection. Some typical arrangements are shown in **(Figures 21 and 22)**. An Appliance Adapter or Increaser Adapter may be needed, depending on the exit size of the stove or insert collar.

9. If a Tee or Tee Adapter is necessary to make the connection, as shown in **(Figure 22)**, the Tee has a removable Clean out Adapter on its base to enable cleaning. Ensure Tee is adequately supported.

10. Connect the appliance to the coupling on the bottom of the Flex Pipe, by twisting to the locked position. Push the appliance into the fireplace to its final resting place. Go to the top of the chimney and pull the vent system up to its desired height.

11. For support at the termination of the PelletVent, use a Tall Cone Flashing, and a Storm Collar. This will require 14 inches of pipe above the top of the masonry chimney. Pull the pipe up through the flashing to the desired height. Mark location of the Storm Collar. Slip the Storm Collar down over the pipe and affix it to the pipe with a 1/4"-long stainless steel sheet metal screw **(Figures 23 & 24)**. The Storm Collar will then support the entire vent system. Install the Cap. Seal the joint at the Storm Collar, and any other joints or seams which may appear suspect. **(Figure 25)** shows a Tall Cone Flashing modified to fit a chimney where the tile liner protrudes above the masonry, as another alternate termination technique. This completes the masonry

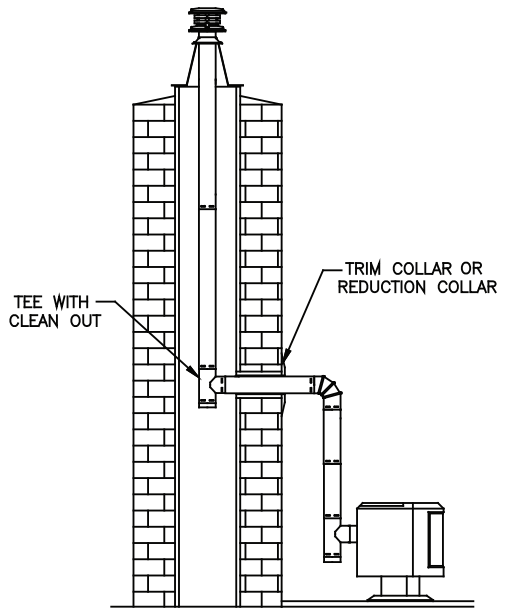
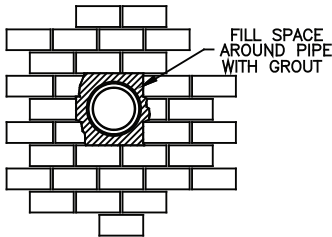


Figure 26

installation.

## INSTALLATION THROUGH SIDE OF MASONRY CHIMNEY

1. Set the appliance in its final location and mark the center of the hole where the pipe is to penetrate the masonry chimney. Ensure that you comply with the manufacturer's specifications in regards to clearance and distances from combustible surfaces.
2. The PelletVent Pro system is assembled essentially the same as previously described for installation in an existing masonry chimney with the exceptions listed:
  - A. No Flex Pipe is required, unless the masonry chimney has an offset. If an offset exists, then a Flex Pipe will be needed from the offset down to opening in masonry.
  - B. A Tee Section is installed at the bottom end of the vertical pipe **(Figure 26)**.
  - C. A Reduction Collar or a Trim Collar is required to go around the pipe section that



**Figure 27**

passes through the masonry to give it a finished look.

3. It will be necessary to break out the masonry around the location of the pipe center line mark to a diameter of at least 4 inches for 3 inch pipe, and at least 5 inches in diameter for 4 inch pipe.

4. Install the Tee on the bottom of the vertical pipe system and lower it down the chimney until the center of the branch of the Tee is level with the center of the hole in the masonry. Connect horizontal pipe section to the Tee branch.

5. Holding the pipe at the proper elevation, install the Storm Collar and Cap, as described in **Step 11** for the fireplace installation.

6. Connect the horizontal Pipe Section through the masonry to the Tee by pushing it through the hole in the masonry, and lining it up with the branch of the Tee. Then insert Pipe Section into the Tee, while twisting to lock it.

7. Once the horizontal Pipe Section is in place, the space between the pipe and the masonry may be filled with high temperature grout, if desired (**Figure 27**).

8. Install the Reduction Collar or Trim Collar over rough opening, then 90° Elbow, and the required vertical Pipe Sections down to the appliance. An Adjustable Pipe length may be needed, as well as an Appliance Adapter or Increaser Adapter.

9. Conduct a final inspection of the entire job, and review the manufacturer's operating and installation instructions once more, before firing the appliance.

## INSTALLATION IN A CATHEDRAL CEILING

1. Mark a line on the side of the Cathedral Ceiling Support Box to correspond to the line of the roof pitch, as shown in (**Figure 28**). Allow for the Support Box to protrude below the low side of the finished ceiling a minimum of 2 inches.

2. Position the appliance at its proper location on the floor. Pay close attention to the manufacturer's installation instructions regarding the clearance to combustibles, etc. Position appliance so Support Box will not interfere with roof rafters or other structural framing.

3. Run a plumb line from the center of the flue exit on the stove to the ceiling. Mark the point on the ceiling where the plumb line intersects. This represents the center of the support box. Drill a small hole through the ceiling at this point, so it can be located from the top of the roof.

4. From the roof, locate and mark the outline of the Support Box.

5. Remove shingles or other roof covering as necessary to cut the rectangular hole for the Support Box. Cut the hole 1/8-inch larger than the dimensions of the Support Box (**Figure 29**). The rectangular hole should be centered on the small hole which you drilled through the ceiling to mark the location. Again, verify that you are not cutting through rafters or framing members.

6. Run the Support Box through the roof as shown in (**Figure 30**), and place it so that the bottom of the Support Box protrudes at least 2 inches below the low side of your opening in the finished ceiling

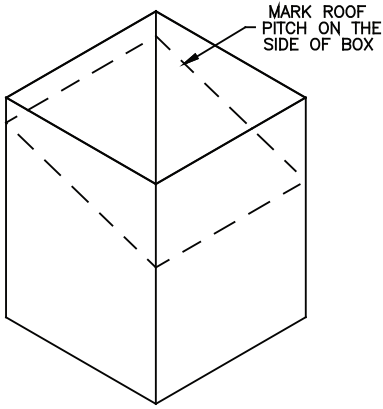


Figure 28

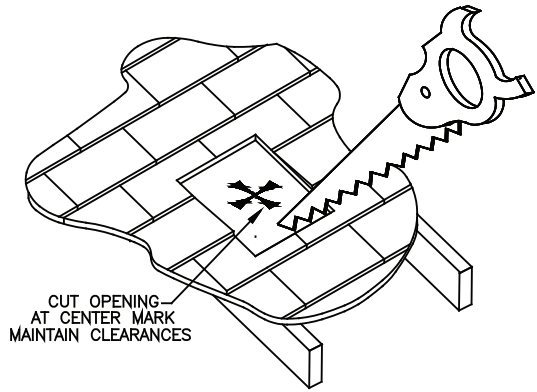


Figure 29

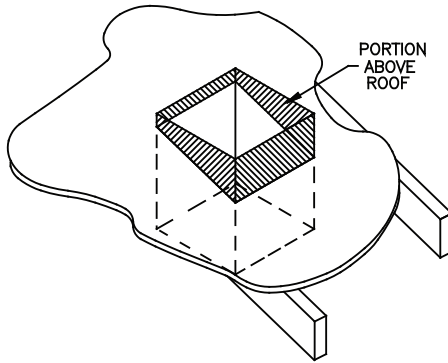


Figure 30

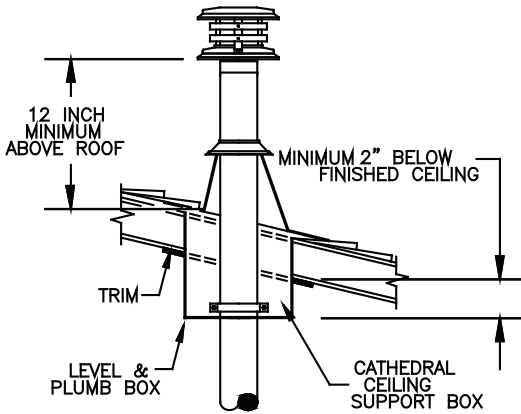


Figure 31

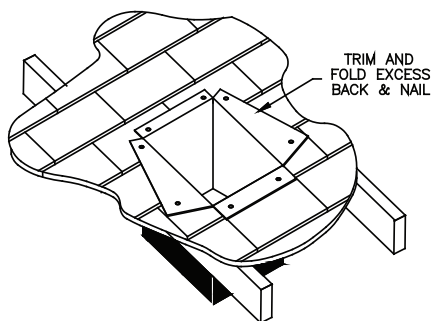


Figure 32

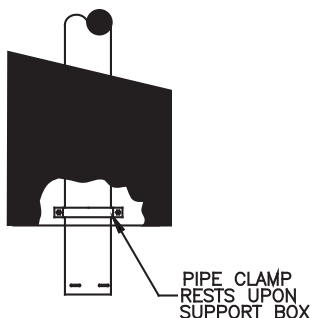


Figure 33

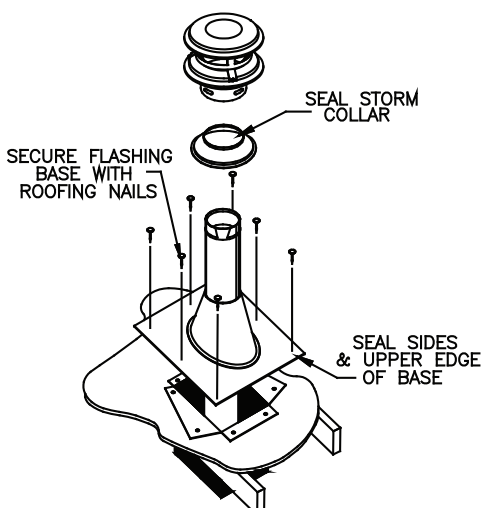


Figure 34

(Figure 31). Align the Support Box vertically and horizontally with a level. Temporarily tack the Support Box in place through the inside walls and into the roof sheathing.

7. If the Support Box protrudes the roofline use tin snips to cut from the top corners down to the roof line, and fold the resulting flap over the roof sheathing (Figure 32). Before nailing it to the roof, run a bead of non-hardening sealant around the outside top edges of the Support Box so as to make a seal between the box and the roof. Clean out any combustible material or debris from inside the Support Box.

8. Place the Support Clamp, included with Support Box, loosely around Pipe Sections running through hole in Support Box (Figure 33).

9. Connect the necessary amount of Pipe Sections to reach the stove and extend at least 12-inches above the roof before attaching Termination Cap (Figure 32).

10. After all PelletVent Pro Pipe Sections and components are assembled and connected down to the appliance seal and secure the Appliance Adapter to stove. Using a level, make slight adjustments in the position of the appliance until the pipe is truly vertical. Tighten the bolts in the Support Clamp (Figure 33). Note that the overall length of the PelletVent Pro system can be no longer than 42 feet.

11. Slip Roof Flashing over the supported Pipe Section(s) protruding through the roof. Apply sealant to underside of Roof Flashing along upper edge and sides. Secure the base of Roof Flashing to the roof with roofing nails (Figure 34). Ensure that the roofing material overlaps the top edge of the Roof Flashing.

## CLEANING AND MAINTENANCE

1. Have your system cleaned by a certified chimney sweep if you have doubts about your ability to clean it. Use a plastic or flexible steel

brush. Do not use a stiff brush that will scratch the stainless steel liner of your system.

**2.** PelletVent Pro systems must be installed so that access is provided for inspection and cleaning.

**3.** The system should be inspected at least once every month during the heating season.

**4.** Do not use chemical cleaners. They can damage the vent pipe.

**5.** To increase the life PelletVent Pro, coat all exterior metal parts with high temperature, rustproof paint. This is highly recommended, particularly in areas near the ocean.

**6.** In case of a chimney fire, close all appliance draft openings shut off appliance and call your Fire Department. Do not use the appliance or vent until it has been inspected for possible damage and silicone gaskets replaced.

**7.** DuraVent is not responsible for flue by-products that might discolor roofs or walls.

## DURAVENT WARRANTY

DuraVent, Inc. ("DuraVent") provides this limited lifetime warranty for all of its products to the original purchaser, with the exception of Ventinox (lifetime), DuraBlack (five years) and all Termination Caps (five years). Subject to the limitations set forth below, DuraVent warrants that its products will be free from substantial defects in material or manufacturing, if properly installed, maintained and used. This Warranty is non-transferable with the exception of Ventinox which is transferable from the original homeowner to the buyer of the home for a period of ten (10) years. This warranty does not cover normal wear and tear, smoke damage or damage caused by chimney fires, acts of God, or any product that was: (1) purchased other than from an authorized DuraVent dealer, retailer or distributor; (2) modified or altered; (3) improperly serviced, inspected or cleaned; or (4) subject to negligence or any use not in accordance with the printed materials provided with the product as determined by DuraVent. This limited lifetime warranty applies only to parts manufactured by DuraVent.

DuraVent provides the following warranties for its products: One Hundred Percent (100%) of the purchase price or MSRP at time of purchase, whichever is lower, for 15 years from the date of purchase, and Fifty Percent (50%) thereafter, except for the following limitations: Ventinox liner and components in wood, oil, wood pellet, and gas installations are warranted at One Hundred Percent (100%) for the lifetime of the original homeowner; Ventinox 316 liner and components for coal burning installations which are warranted One Hundred Percent (100%) for ten years; all Termination Caps and DuraBlack® are warranted at One Hundred Percent (100%) for five years, and at Ten Percent (10%) thereafter.

All warranty obligations of DuraVent shall be limited to repair or replacement of the defective product pursuant to the terms and conditions applicable to each product line. These remedies shall constitute DuraVent's sole obligation and sole remedy under this limited warranty. This warranty provides no cash surrender value. The terms and conditions of this limited lifetime warranty may not be modified, altered or waived by any action, inaction or representation, whether oral or in writing, except upon the express, written authority of an executive officer of DuraVent.

### VENTINOX WARRANTY CONDITIONS

Liner and Component warranties contained herein are subject to the following conditions: (1) The Liner and Components must be installed according to DV's installation instructions; (2) The Liner and Components are used only to line or reline chimneys venting residential appliances for which the liner was intended; and (3) documented annual inspection of the Liner and Components and maintenance as deemed necessary, beginning one year after the date of installation and continuing throughout the warranty period, by a Nationally Certified Chimney Sweep or VENTINOX® installer. The Liner and Components warranty is further subject to compliance with the following requirements throughout the warranty period: The chimney must have a chimney cap and chemical chimney cleaners must not be used when cleaning the Liner or Components. Plastic-bristle flue cleaning brushes are recommended. Corn, biofuels, driftwood or other wood containing salt, preservative-treated lumber, plastic and household trash or garbage, or wood pellets containing such materials must not be burned in the appliance or fireplace. In case of a chimney fire, the chimney must be inspected and approved by a certified Chimney Sweep before reuse. After each annual inspection, maintenance, and cleaning, the certified Chimney Sweep must fill out and date the appropriate section of the warranty card provided with the chimney liner.

### LIMITATIONS ON INTERNET SALES:

Notwithstanding any other terms or conditions of this limited lifetime warranty, DuraVent provides no warranty for the following specific products if such products are both: (a) purchased from an Internet seller; and (b) not installed by a qualified professional installer: DuraTech®, DuraPlus HTC®, PelletVent Pro®, FasnSeal®, and DuraVent's relining products including DuraLiner®, DuraFlex® 304, DuraFlex® 316, DuraFlex® Pro, DuraFlex® SW, and Ventinox®. For purposes of this warranty, a trained professional installer is defined as one of the following: licensed contractors with prior chimney installation experience, CSIA Certified Chimney Sweeps, NFI Certified Specialists, or WETT Certified Professionals.

DuraVent reserves the right to inspect defective product to determine if it qualifies for replacement under the terms of this limited lifetime warranty. All warranty claims must be submitted with proof of purchase. Labor and installation costs are not covered under this warranty. To obtain warranty service contact DuraVent promptly at DuraVent Warranty Service, 902 Aldridge Rd., Vacaville CA 95688, or call 800-835-4429.

WHERE LAWFUL, DuraVent DISCLAIMS ALL OTHER WARRANTIES, INCLUDING BUT NOT LIMITED TO IMPLIED WARRANTIES OF MERCHANTABILITY AND FITNESS FOR A PARTICULAR PURPOSE. IN NO EVENT WILL DuraVent BE LIABLE FOR INCIDENTAL, CONSEQUENTIAL, PUNITIVE OR SPECIAL DAMAGES OR DIRECT OR INDIRECT LOSS OF ANY KIND, INCLUDING BUT NOT LIMITED TO PROPERTY DAMAGE AND PERSONAL INJURY. DuraVent's ENTIRE LIABILITY IS LIMITED TO THE PURCHASE PRICE OF THIS PRODUCT. SOME STATES DO NOT ALLOW LIMITATIONS ON IMPLIED WARRANTIES, OR THE EXCLUSION OR LIMITATION OF INCIDENTAL OR CONSEQUENTIAL DAMAGES, SO THE ABOVE LIMITATIONS AND EXCLUSIONS MAY NOT APPLY TO YOU. THIS LIMITED WARRANTY GIVES YOU SPECIFIC LEGAL RIGHTS, AND YOU MAY ALSO HAVE OTHER RIGHTS THAT VARY FROM STATE TO STATE.

For the most up-to-date installation instructions, see [www.duravent.com](http://www.duravent.com)  
REV 7.20.2010

DuraVent, Inc. PO Box 1510 Vacaville CA 95696-1510  
Manufactured in Vacaville CA and Albany NY

# DuraVent®

**Customer Service Support: 800-835-4429 • 707-446-4740 FAX • [www.duravent.com](http://www.duravent.com)**

PelletVent Pro is a registered trademark of DuraVent, Inc.  
All rights reserved. Made in the USA. ©2011, 2017

L550\_820003167\_Install Instructions\_PelletVent Pro\_07-10-17\_V2