



SLICK ROCK CONCRETE
13 PFEIFFER ROAD
BOERNE, TX 78006

SELECT DESIRED COLOR:

- | | | |
|------------------------------------|-----------------------------------|--------------------------------------|
| <input type="checkbox"/> ADOBE | <input type="checkbox"/> MAHOGANY | <input type="checkbox"/> GRAY |
| <input type="checkbox"/> COAL GREY | <input type="checkbox"/> ONYX | <input type="checkbox"/> GREAT WHITE |
| <input type="checkbox"/> COPPER | <input type="checkbox"/> RUSTBUFF | <input type="checkbox"/> SHALE |
| <input type="checkbox"/> DENIM | <input type="checkbox"/> SEAFOAM | <input type="checkbox"/> UMBER |

SELECT DESIRED BURNER:

- NONE
 ELECTRIC IGNITION**
 MATCH-LIT**

SELECT DESIRED MEDIA PAN:

- BLACK GLASS CLEAR GLASS
 TEAL GLASS LAVA ROCK
 AMBER GLASS NONE

SELECT DESIRED GAS TYPE:

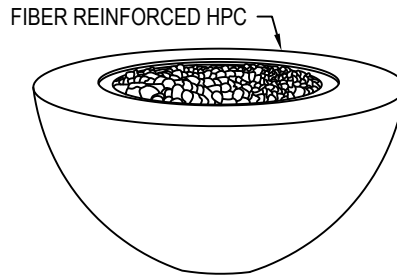
- NATURAL GAS PROPANE

SELECT DESIRED REMOTE OPTION*:

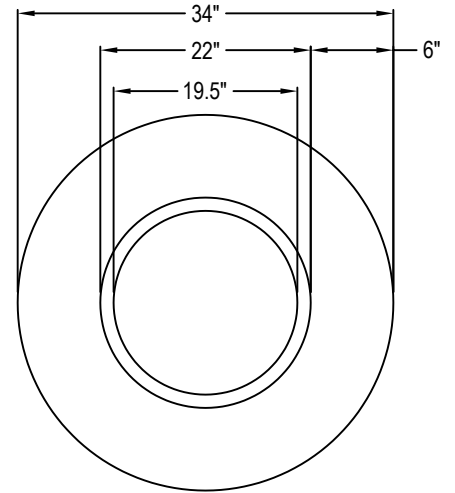
- NONE BURNER REMOTE

SELECT DESIRED OPTION:

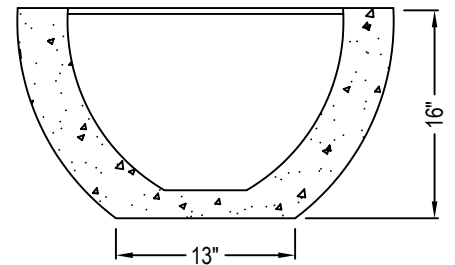
- WITH WOOD TOP COVER WITHOUT WOOD TOP COVER



PERSPECTIVE



TOP VIEW



SECTION

*ONLY AVAILABLE FOR ELECTRIC BURNER

** MEDIA PAN AND GAS TYPE REQUIRED

SPECIFICATIONS:

CONCRETE: MANUFACTURERS PROPRIETARY BLEND OF PORTLAND CEMENT, SAND, FIBER REINFORCEMENT, ACRYLIC ADMIXTURES AND PLASTICIZING AGENTS.

COLOR: INTEGRAL THROUGH AND THROUGH COLOR FOLLOWED BY PROPRIETARY WATER BASED, SEMI TRANSPARENT STAIN.

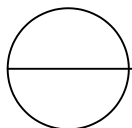
FINISH: SOLVENT TOPICALLY APPLIED "SEMI" GLOSS SEALER.

ELASTOMERIC SEALER: MAY BE APPLIED ON THE INTERIOR OF THE BASIN, PER REQUEST.

FORMWORK: FABRICATE FIBERGLASS MOLDS FOR CLOSE CONTROL OF SHAPE, DIMENSIONS AND DETAILS. COAT FORMWORK WITH FORM RELEASING AGENT.

NOTES:

1. INSTALLATION TO BE COMPLETED IN ACCORDANCE WITH MANUFACTURER'S SPECIFICATIONS.
2. DO NOT SCALE DRAWING.
3. THIS DRAWING IS INTENDED FOR USE BY ARCHITECTS, ENGINEERS, CONTRACTORS, CONSULTANTS AND DESIGN PROFESSIONALS FOR PLANNING PURPOSES ONLY. THIS DRAWING MAY NOT BE USED FOR CONSTRUCTION.
4. ALL INFORMATION CONTAINED HEREIN WAS CURRENT AT THE TIME OF DEVELOPMENT BUT MUST BE REVIEWED AND APPROVED BY THE PRODUCT MANUFACTURER TO BE CONSIDERED ACCURATE.
5. CONTRACTOR'S NOTE: FOR PRODUCT AND COMPANY INFORMATION VISIT www.CADdetails.com/info AND ENTER REFERENCE NUMBER 5388-032.



FIRE FEATURES

OASIS FIRE BOWL: OASIS ROUND - 34" D X 16" H X 34" L