



## Built-In Cutout Dimensions: Pro Built-in ITC 3

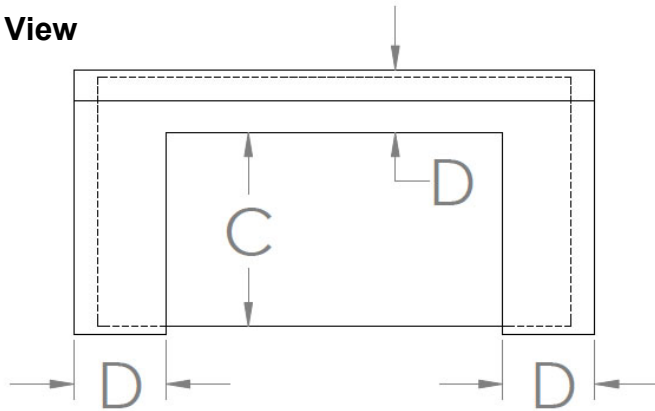
**WARNING:** See clearance to combustible materials when designing and constructing a built-in island. Built-In islands must be built to the cutout dimension specifications below.

The owner and/or builder are responsible for consulting local, county, and state building codes for securing any necessary building permits before construction. **NOTE:** Construction codes vary from locality to locality.

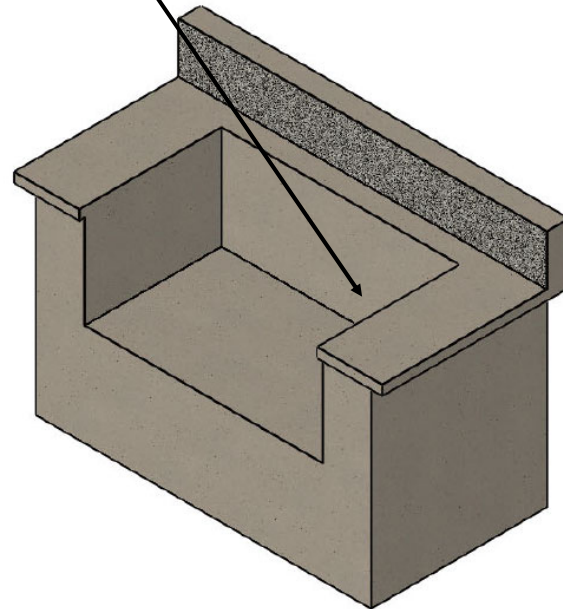
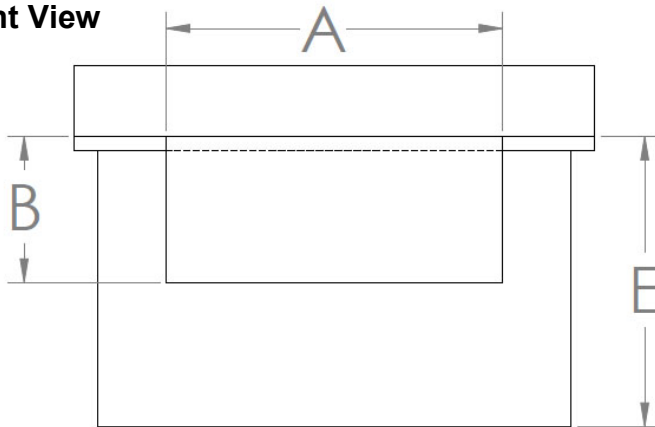
**NOTE:** Dimensions are to the finished surfaces. Grill cavity surfaces are to be plumb and level to ensure a proper fit.

**Power Requirements**  
 110/120VAC\* supply required within 10 feet of the ITC. Power cable located at the back right of the grill. (See note on previous page)  
 \*European 220VAC

**Top View**



**Front View**



CUTOUT DIMENSIONS		TOLERANCE
A	30 1/4" [76.9 cm]	+/- 1/8" [0.30 cm]
B	16 3/4" [42.6 cm]	+/- 1/8" [0.30 cm]
C	24 1/2" [62.9]	+/- 1/8" [0.30 cm]
D	3 1/2" MIN [8.9 cm]	-
E	Standard Cabinet Height	-