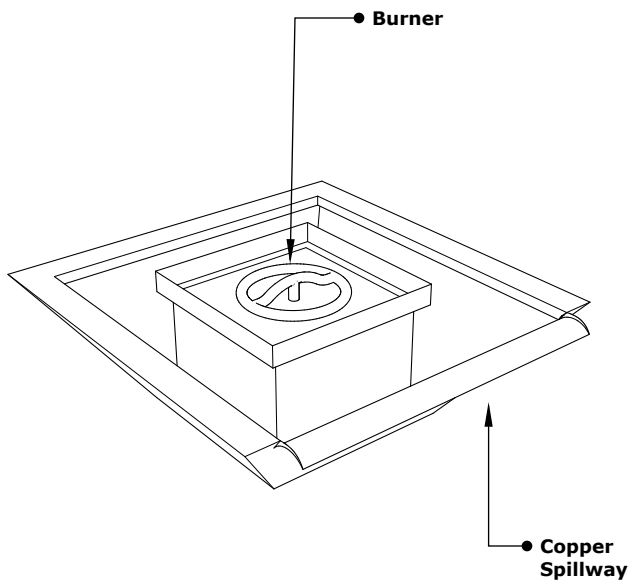
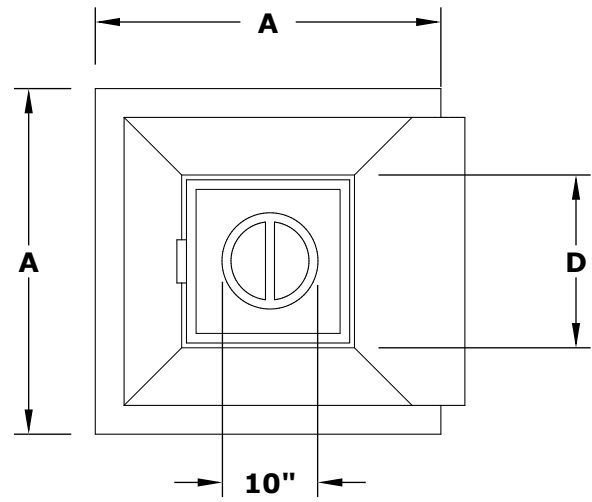


# MAYA FIRE & WATER BOWL - WIDE GRAVITY SPILL

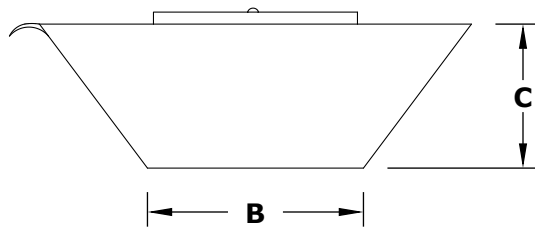
Hammered Copper



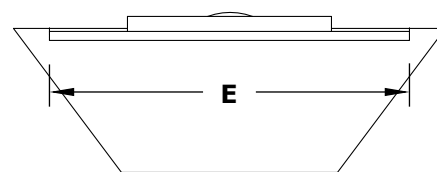
ISOMETRIC VIEW



TOP VIEW



RIGHT SIDE VIEW



FRONT SIDE VIEW

PART NUMBER	A	B	C	D	E	GPM	BTU
OPT-SQ30FWWS	30"	15"	10"	15"	24"	15	65,000
OPT-SQ36FWWS	36"	18"	12"	18"	30"	15	65,000

Bowl Material: Copper  
Pan Material: 304 Stainless Steel  
Burner Material: 304 Stainless Steel

Standard 2" Depth on all pans

**12V ELECTRONIC IGNITION**  
ANSI Z21.97-(2017) / CSA 2.41-(2017)



Match Lit Unit Includes: Pan, Burner, Gas Orifice, Gas Hoses, Key Valve, Key,  
12v Ignition Unit Includes: Pan, Burner, Gas Orifice, Gas Hoses, Key Valve, Key, Plug & Play Electronic Valve, Pilot Igniter.