



Dual Overhead Accent Light Installation Instructions

Model: MONAL

For use with LCUF Series Firebox



WARNING: Turn appliance OFF and allow to cool before servicing. Only a qualified service person should service and repair this insert. A qualified service person must connect and disconnect the insert to/from the gas supply. Follow all local codes.

NOTE: This kit is designed to work manually with the dimmer control supplied.

BEFORE YOU BEGIN

The instruction sheet is ONLY for models listed below; carefully inspect the contents for shipping damage. If any parts are missing or damaged, immediately contact the dealer from whom you purchased this kit.

This kit is designed for use with the LCUF32CR-B, LCUF36CR-B, LCUF42CR-B fireboxes.

KIT CONTENTS:

- Two (2) light socket assemblies
- One (1) Rheostat dimmer
- One (1) 6 ft. power cord
- One (1) light join wire harness
- Two (2) light bulbs (35 watt)
- Two (2) light covers with clear lens
- One (1) fastener pack

TOOL REQUIRED:

Phillips head screwdriver or battery drill

IMPORTANT: Always check local building codes.

This installation must comply with local regulations as well as the National Electric Code.

Installation Instructions - Wiring

1. Before installing the lighting kit, wire the junction box into an electrical circuit. This should be done before framing the fireplace. Wire with minimum 60°C wire in accordance with prevailing codes.
2. Remove the two (2) screws for the junction box cover, loosen romex connector and slide up wire. Connect wires to junction box wires securely. Slide junction box cover down to unit and reattach to firebox and tighten romex connector to wire. Junction box was installed at the factory. See Figure 1.

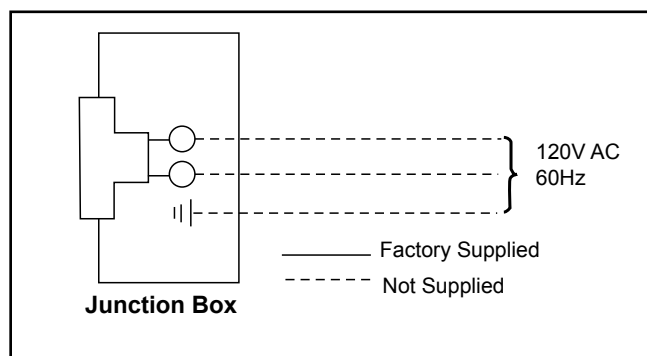


Figure 1 - Junction Box Wiring Diagram

⚠ WARNING

Electrical Grounding Instructions:

This appliance is equipped with a three-prong (grounding) plug for your protection against shock hazard and should be plugged directly into a properly grounded three prong receptacle.

CAUTION

Electrical connections should only be performed by a qualified licensed electrician. Main power supply must be turned off before connecting kit.

Installation Instructions - Light Kit

1. Remove burner and log set from firebox if previously installed.
2. Remove firebrick if previously installed.
3. Remove both side access panels and rear access panel. See Figure 2.

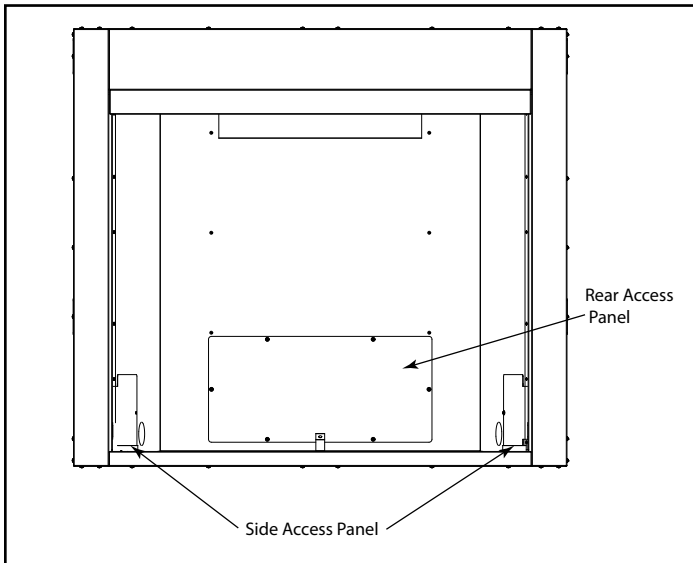


Figure 2 - Access Panels

4. Remove bulb delete plates on left and right side at front of firebox. See Figure 3.

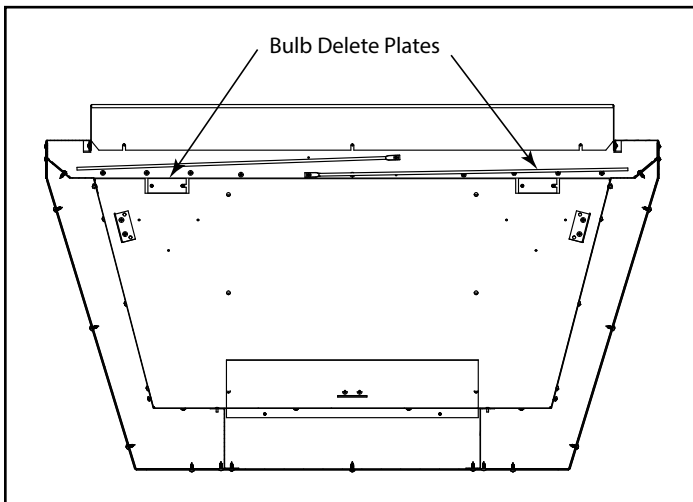


Figure 3 - Bulb Delete Plates

5. Insert wire from light socket through opening from bulb delete and direct toward side of firebox. As wire drops to side, it should become visible through the side access panel, seat bulb socket into opening. Attach with two (2) screws removed from bulb delete plate. Repeat steps for opposite side.
6. Remove knob from rheostat dimmer, using two (2) screws from fastener pack, attach dimmer to side access panel. See Figure 4.

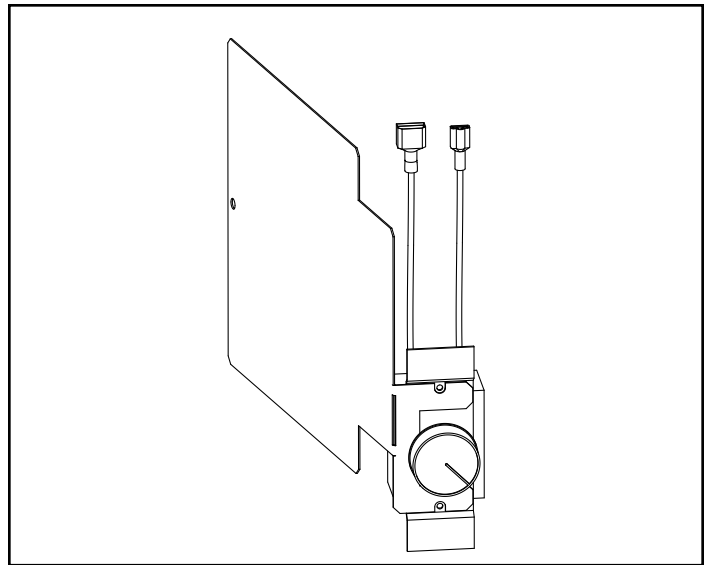


Figure 4 - Rheostat Dimmer

7. Attach wires from light sockets from each side into the light join harness. Two (2) male spades from each light socket should attach into the paired female spades of the light join harness. See wiring diagram Figure 5.

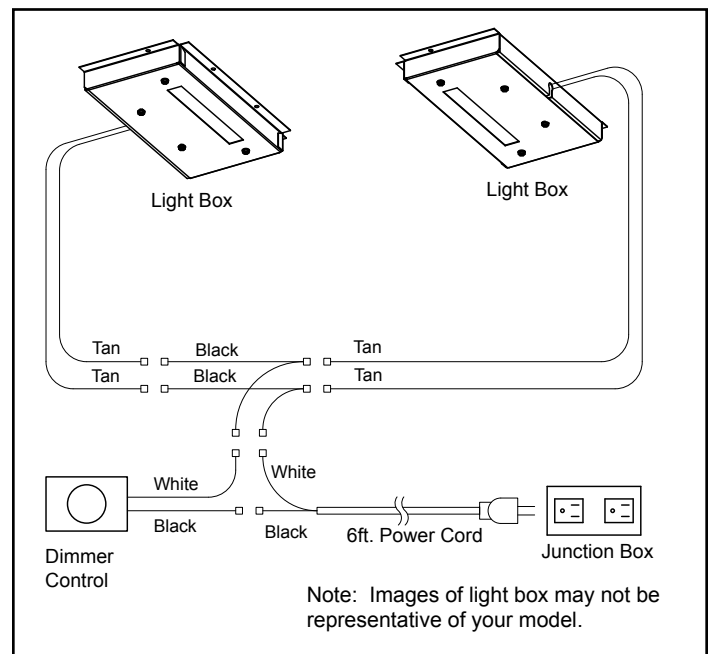


Figure 5 - Wiring Diagram

8. When routing wires, lift the blower base through the rear access panel and route all wires under the blower base.
9. Use wire ties and wire management clips from fastener pack to secure wires.
10. Install bulbs into each socket. Use gloves to avoid direct contact with the bulbs as the oil residue from hands will shorten the life of the bulb.
11. Remove two (2) screws in front of each of the bulb sockets and install the light cover with the two (2) removed screws. Use three (3) additional screws from hardware pack to attach the light cover to the firebox top (1 each side, 1 at back). Repeat steps for opposite side. See Figure 6.
12. Plug power cord into junction box.
13. Reattach the rear access panel with six (6) screws previously removed.
14. Reattach the side access panel without the dimmer switch with one screw previously removed.
15. Reattach the side access panel with the dimmer switch by adjusting the rheostat to align with the hole in the venting support so that the stem of the rheostat sticks through. Attach with one screw previously removed. See Figure 7.
16. Reattach knob onto stem of rheostat.
17. Reinstall firebrick panels, burner and log set if previously installed. Refer to burner/log set instructions for correct placement.

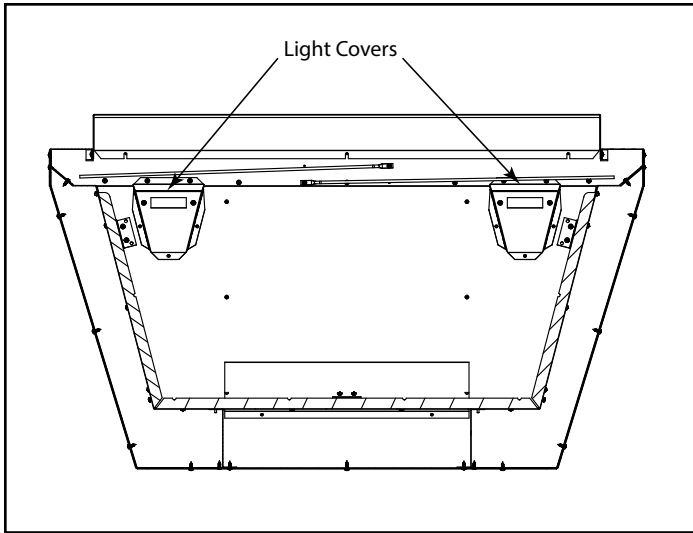


Figure 6 - Light Covers

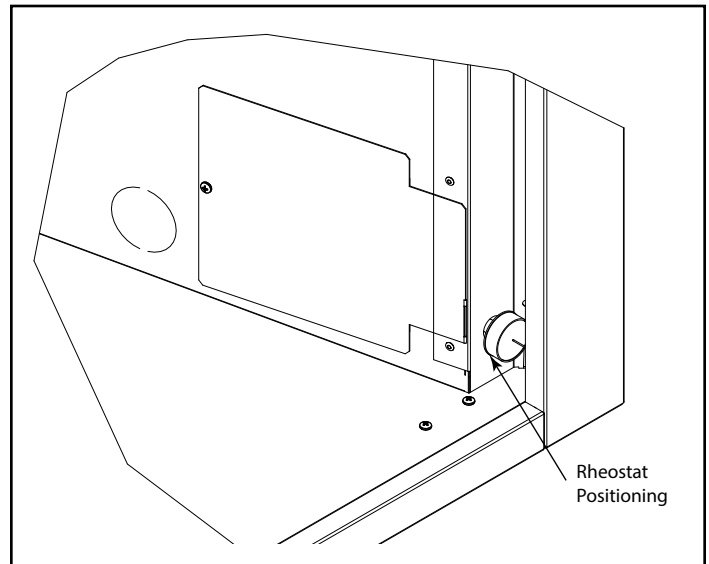


Figure 7 - Rheostat Positioning

Monessen, a brand of Hearth & Home Technologies
 7571 215th Street West, Lakeville, MN 50044
www.monessenhearth.com