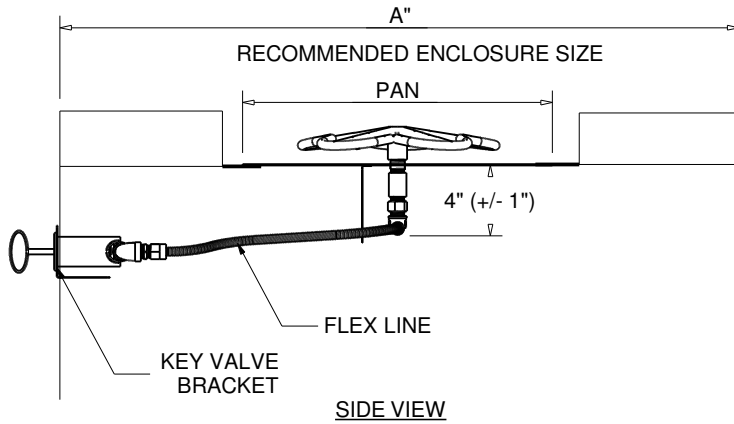
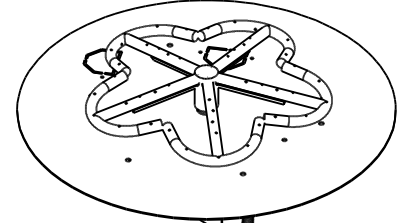




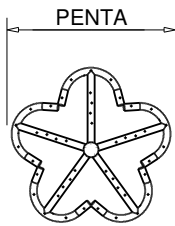
Hearth Products Controls Co
CSA CERTIFIED-OUTDOOR USE ONLY
FOR COMMERCIAL AND RESIDENTIAL USE



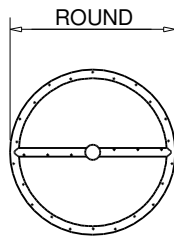
BRACKET DETAIL



ISOMETRIC VIEW



PENTA



ROUND

BURNERS

MATERIAL: 304 STAINLESS STEEL

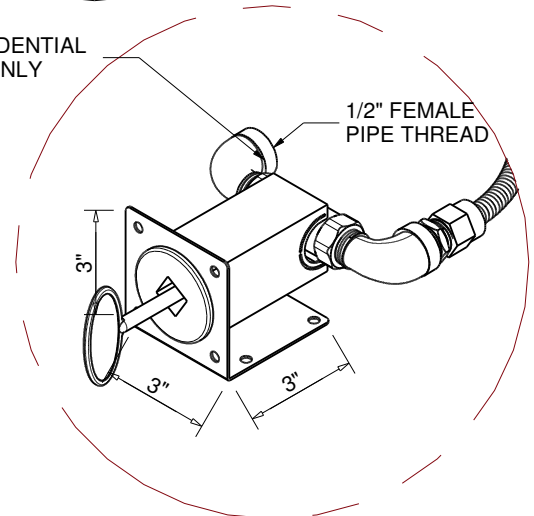
PART NUMBERS	DIMENSION CHART						
	PAN	BURNER 1		BURNER 2		A"	STND FLEX LINE LENGTH
PENTA BURNER	SIZE	BTU	SIZE	BTU			
PENTA14MLFPK-FLEX	13.75"	12"	65K	-	-	45"	36"
PENTA18MLFPK-FLEX	17.75"	12"	65K	-	-	45"	36"
PENTA24MLFPK-FLEX	23.75"	18"	65K	12"	65K	54"	36"
PENTA30MLFPK-FLEX	29.75"	18"	65K	12"	65K	54"	36"

PART NUMBER	DIMENSION CHART						
	PAN	BURNER 1		BURNER 2		A"	STND FLEX LINE LENGTH
ROUND BURNER	SIZE	BTU	SIZE	BTU			
MLFPK8-FLEX	7.75"	6"	40K	-	-	-	36"

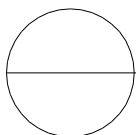
Notes:

- PROPER VENTING
 - ENCLOSURES: Recommend 4 each 18 sq.in. vents on opposing sides (Minimum 2 each 18 sq.in. vents).
 - GAS SUPPLY - FOR USE WITH FIXED PIPING SYSTEMS OR FOR USE WITH SMALL TANKS UP TO 90K.
 - Natural Gas: Operating Supply Pressure: Minimum: 6.0" W.C.; Maximum: 7.0" W.C.
 - LP Gas: Operating Supply Pressure: Minimum: 10.0" W.C.; Maximum: 11.0" W.C.
- IMPORTANT: Ensure any flex line that may be used from the permanent main fuel supply to the product is rated to the stated max btu of the product and certified to ANSI Z21.75*CSA 6.27.
- MODIFICATION OF PRODUCT WILL VOID ANY CERTIFICATION AND WARRANTY.
 - FOLLOW ALL MANUFACTURER INSTALLATION INSTRUCTIONS AND LOCAL CODES.
 - ALL DIMENSIONS ARE CONSIDERED TRUE AND REFLECT MANUFACTURER'S SPECIFICATIONS AS OF THE REVISION DATE.
 - DO NOT SCALE DRAWING.
 - THESE DRAWINGS ARE FOR SIZING AND PLANNING PURPOSES. ALL INFORMATION CONTAINED HEREIN WAS CURRENT AT THE TIME OF DEVELOPMENT. THE MANUFACTURER'S RESPONSIBLE FOR THE ACCURACY OF THE DRAWING.
 - CONTRACTOR'S NOTE: FOR PRODUCT AND COMPANY INFORMATION REFERENCE NUMBER 771-008.

GAS IN: RESIDENTIAL PRESSURE ONLY



BRACKET DETAIL



MATCH LIT FIRE PIT INSERT - WITH FLEX LINE

FLAT ROUND PAN - MLFPK