

4

3

2

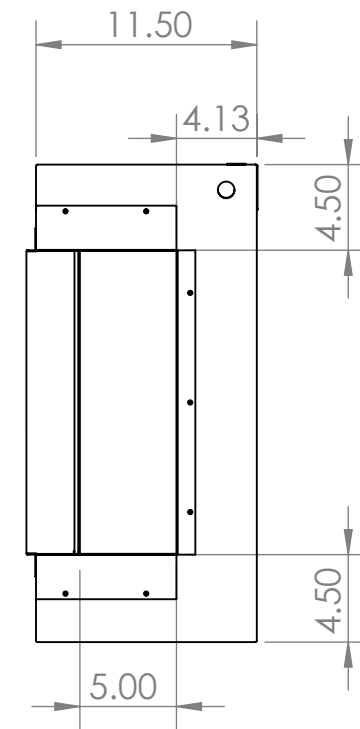
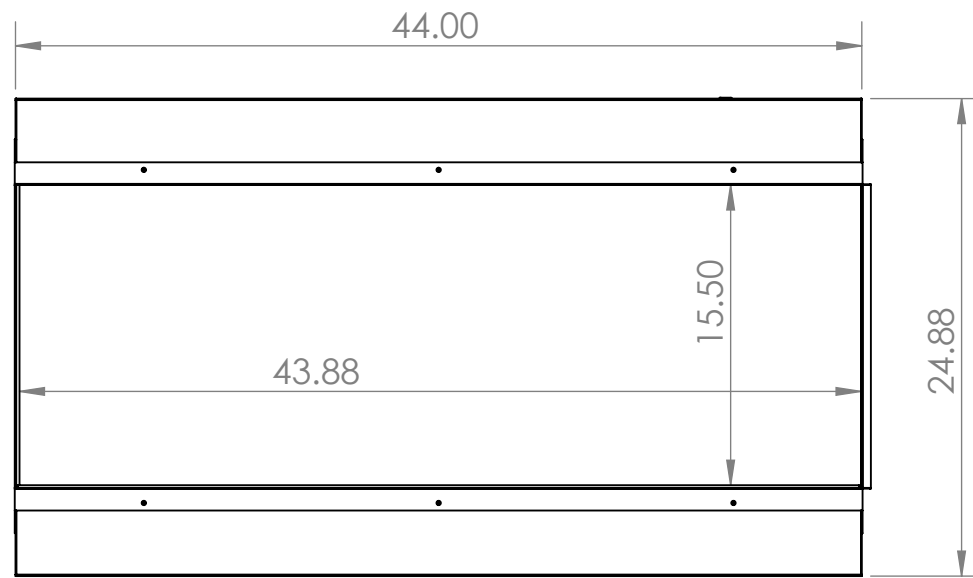
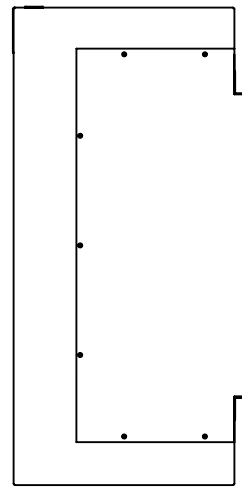
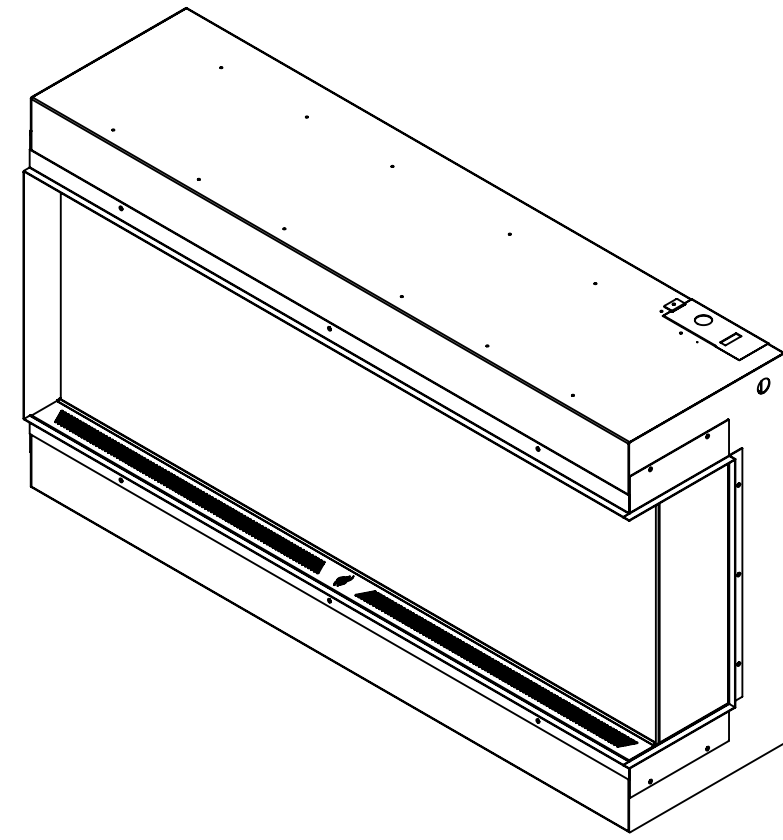
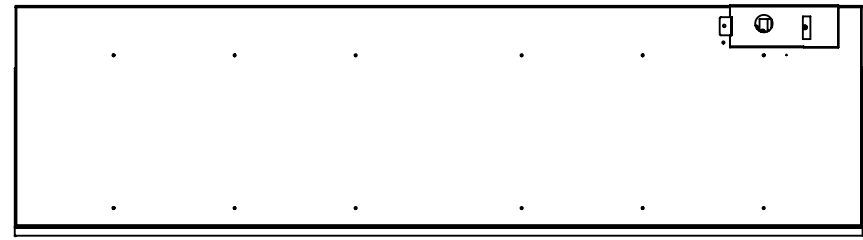
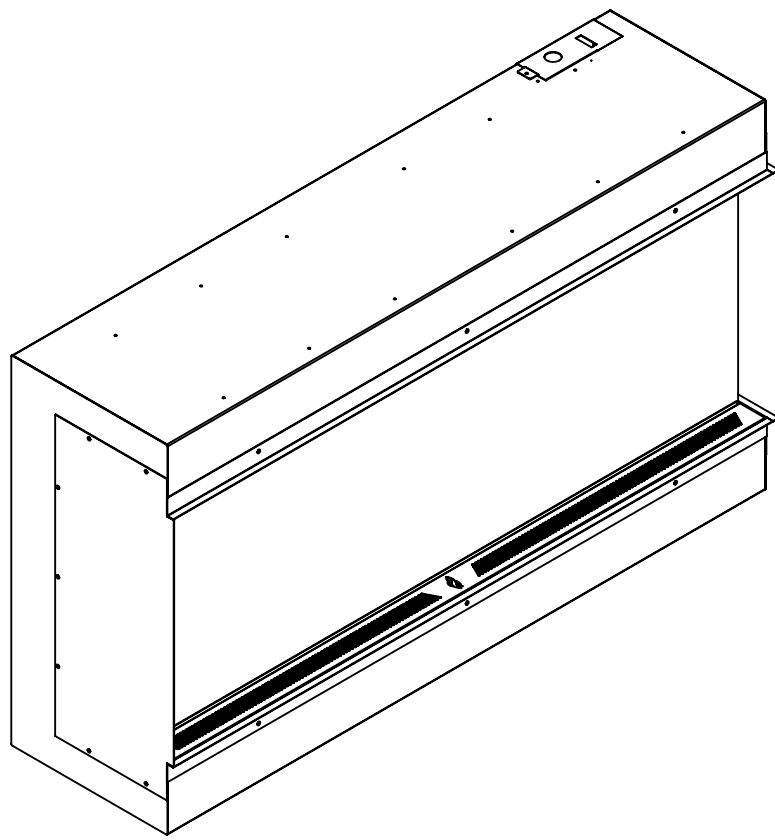
1

D

C

B

A



**PROPRIETARY AND CONFIDENTIAL**  
 THE INFORMATION CONTAINED IN THIS DRAWING IS THE SOLE PROPERTY OF <INSERT COMPANY NAME HERE>. ANY REPRODUCTION IN PART OR AS A WHOLE WITHOUT THE WRITTEN PERMISSION OF <INSERT COMPANY NAME HERE> IS PROHIBITED.

		UNLESS OTHERWISE SPECIFIED:		NAME	DATE
		DIMENSIONS ARE IN INCHES		DRAWN	
		TOLERANCES:		CHECKED	
		FRACTIONAL ±		ENG APPR.	
		ANGULAR: MACH ± BEND ±		MFG APPR.	
		TWO PLACE DECIMAL ±		Q.A.	
		THREE PLACE DECIMAL ±		COMMENTS:	
		INTERPRET GEOMETRIC TOLERANCING PER:			
		MATERIAL			
		FINISH			
NEXT ASSY	USED ON	APPLICATION		TITLE:	
		DO NOT SCALE DRAWING		SIZE DWG. NO. REV	
				SCALE: 1:10 WEIGHT: SHEET 1 OF 1	
				<b>CMultiview 42</b>	

4

3

2

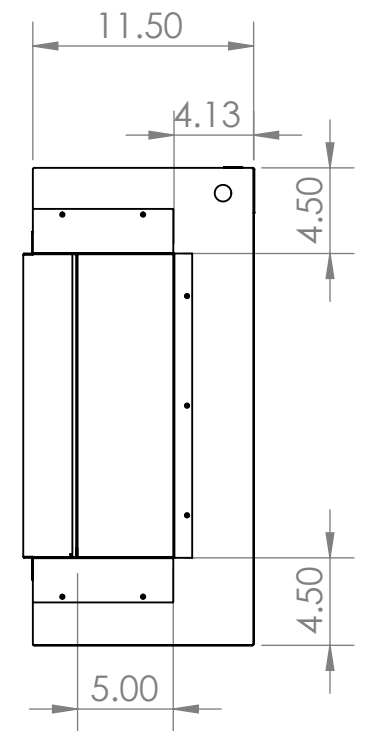
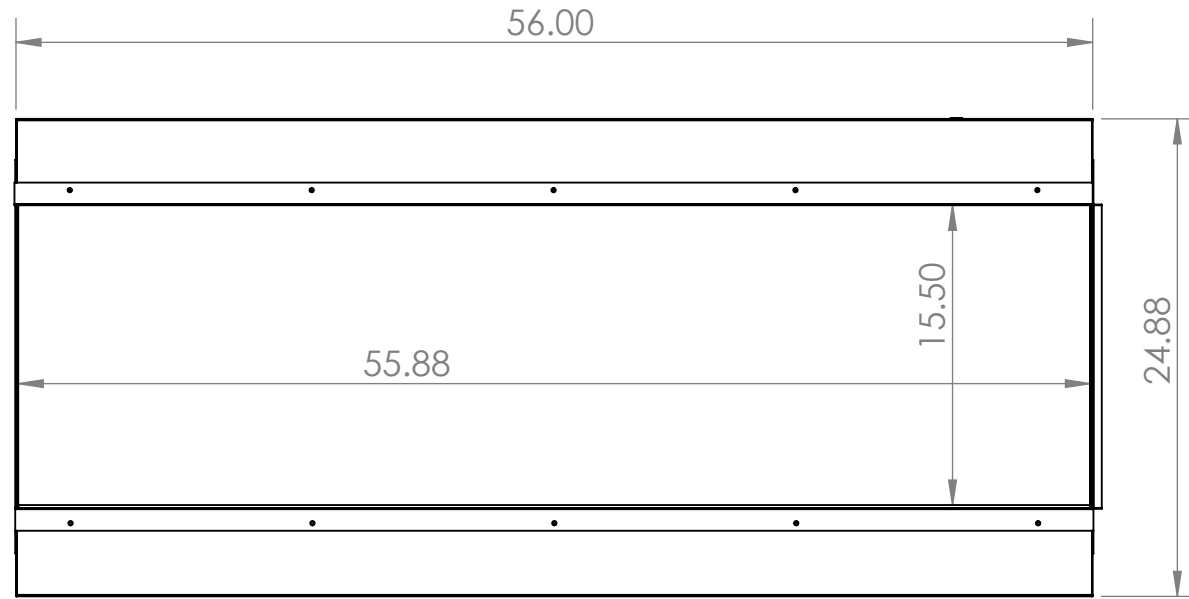
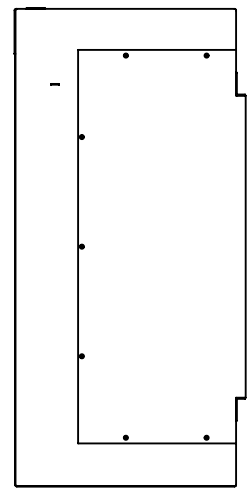
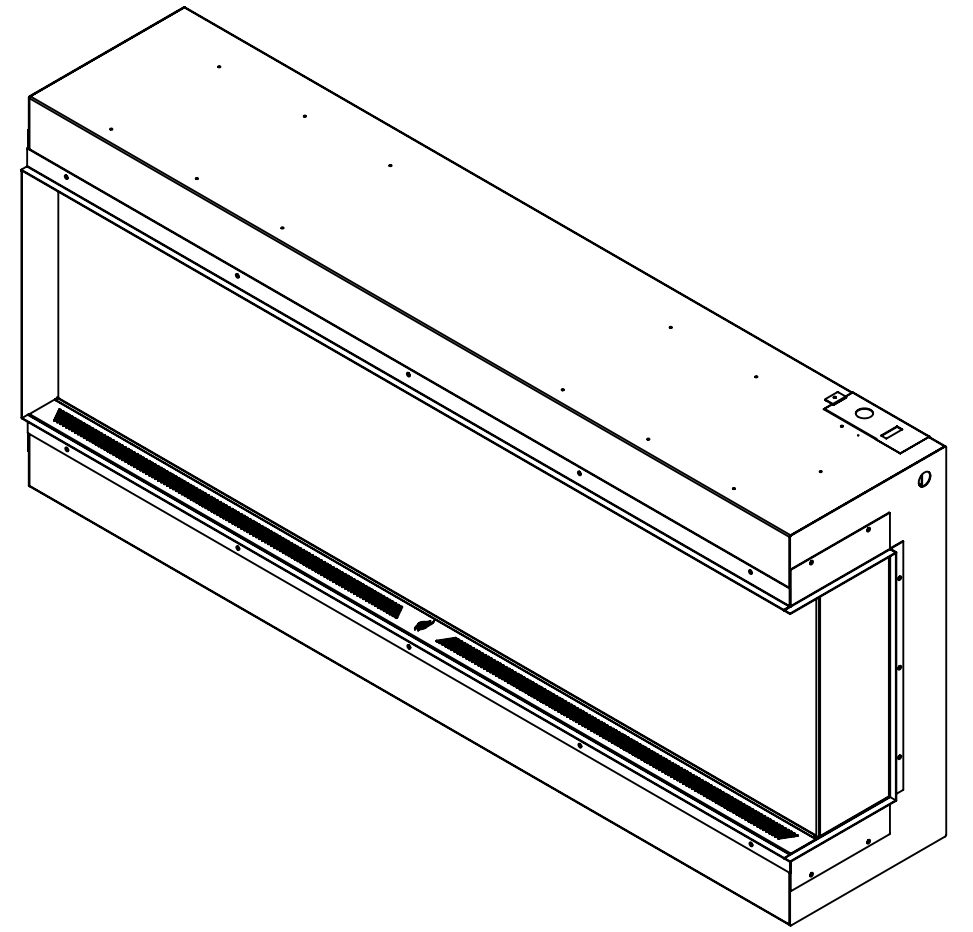
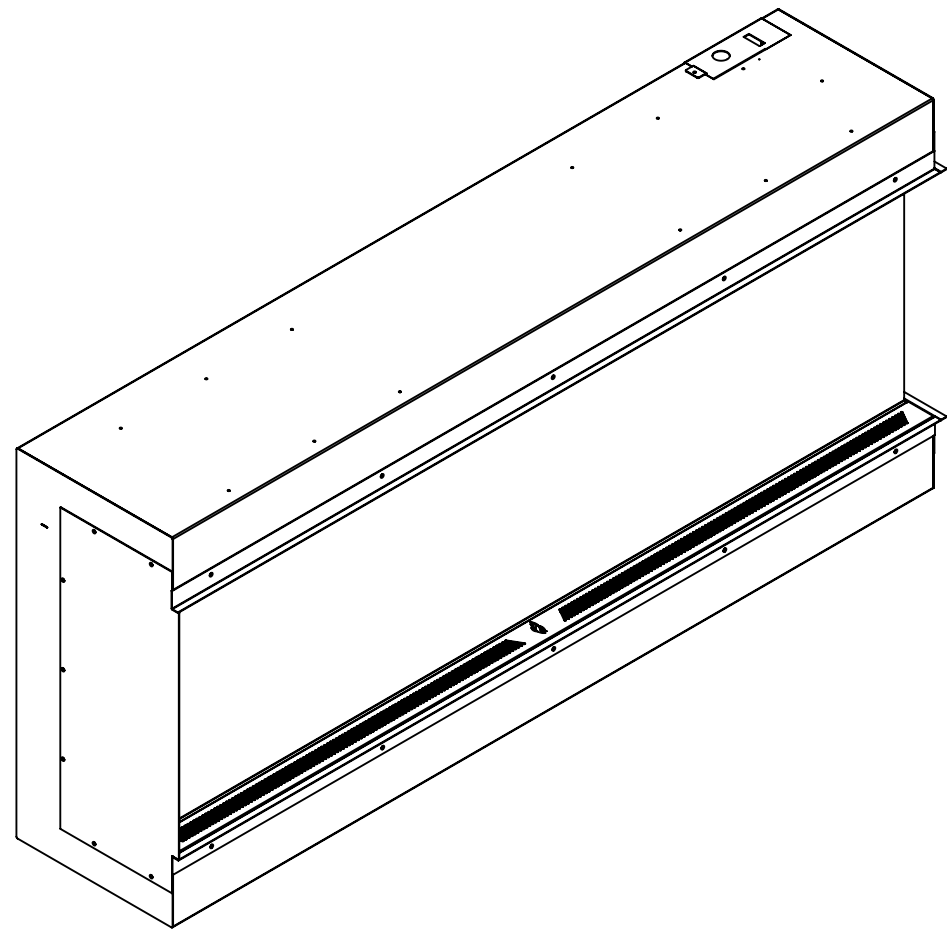
1

4

3

2

1



**PROPRIETARY AND CONFIDENTIAL**  
 THE INFORMATION CONTAINED IN THIS DRAWING IS THE SOLE PROPERTY OF <INSERT COMPANY NAME HERE>. ANY REPRODUCTION IN PART OR AS A WHOLE WITHOUT THE WRITTEN PERMISSION OF <INSERT COMPANY NAME HERE> IS PROHIBITED.

		UNLESS OTHERWISE SPECIFIED:		NAME	DATE
		DIMENSIONS ARE IN INCHES		DRAWN	
		TOLERANCES:		CHECKED	
		FRACTIONAL ±		ENG APPR.	
		ANGULAR: MACH ± BEND ±		MFG APPR.	
		TWO PLACE DECIMAL ±		Q.A.	
		THREE PLACE DECIMAL ±		COMMENTS:	
		INTERPRET GEOMETRIC TOLERANCING PER:			
		MATERIAL			
		FINISH			
NEXT ASSY	USED ON	APPLICATION		TITLE:	
		DO NOT SCALE DRAWING		SIZE DWG. NO. REV	
				C Multiview54	
				SCALE: 1:10 WEIGHT: SHEET 1 OF 1	

4

3

2

1

D

D

C

C

B

B

A

A

4

3

2

1

D

D

C

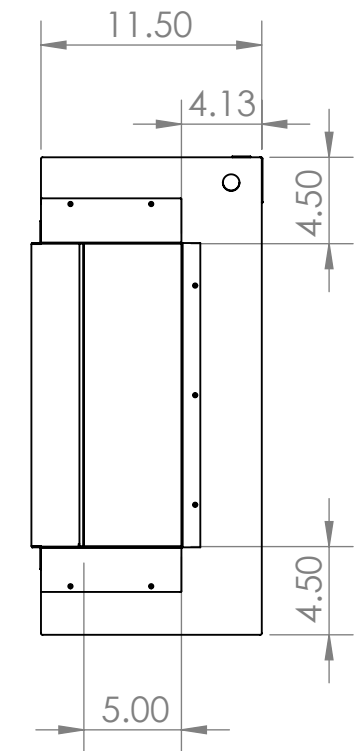
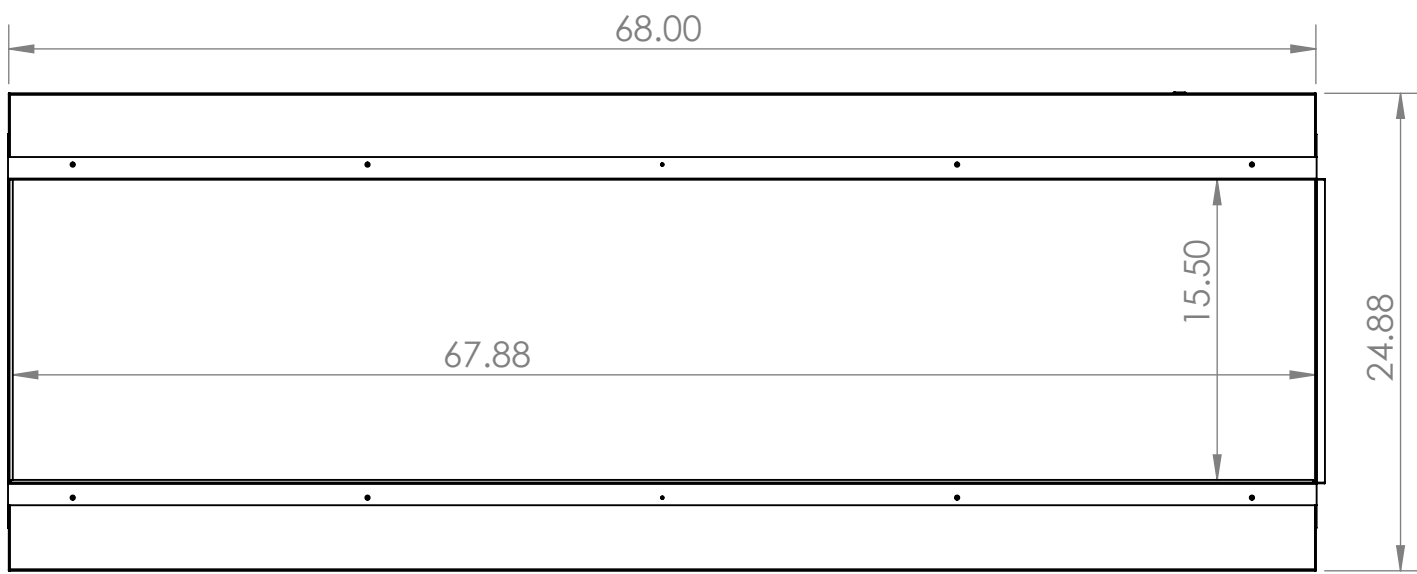
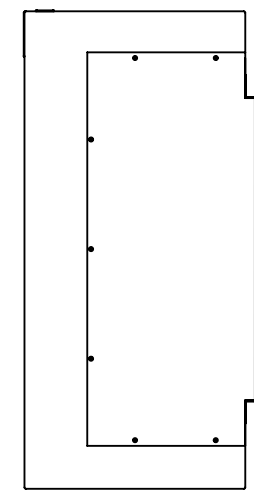
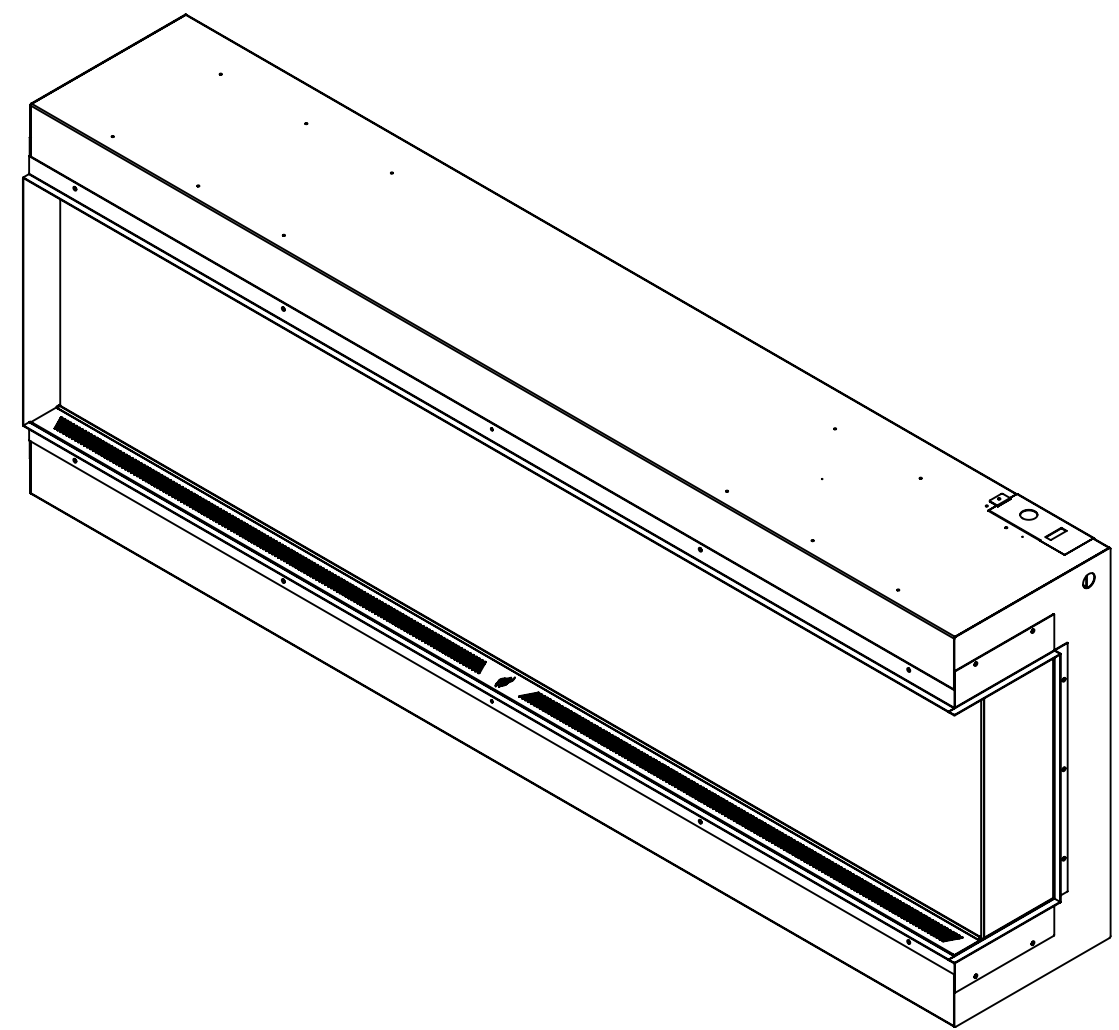
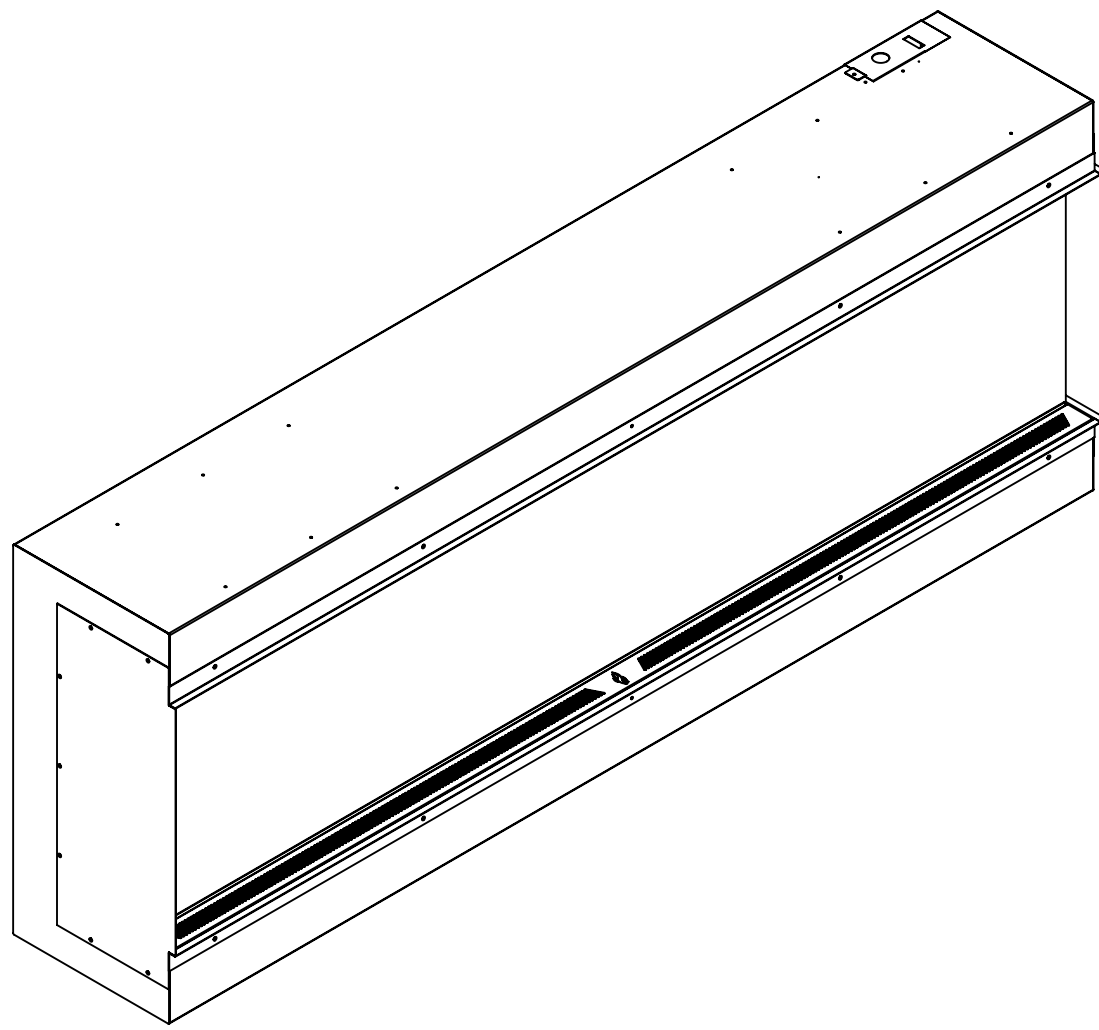
C

B

B

A

A



**PROPRIETARY AND CONFIDENTIAL**  
 THE INFORMATION CONTAINED IN THIS DRAWING IS THE SOLE PROPERTY OF <INSERT COMPANY NAME HERE>. ANY REPRODUCTION IN PART OR AS A WHOLE WITHOUT THE WRITTEN PERMISSION OF <INSERT COMPANY NAME HERE> IS PROHIBITED.

		UNLESS OTHERWISE SPECIFIED:		NAME	DATE
		DIMENSIONS ARE IN INCHES	DRAWN		
		TOLERANCES:	CHECKED		
		FRACTIONAL ±	ENG APPR.		
		ANGULAR: MACH ± BEND ±	MFG APPR.		
		TWO PLACE DECIMAL ±	Q.A.		
		THREE PLACE DECIMAL ±	COMMENTS:		
		INTERPRET GEOMETRIC TOLERANCING PER:			
		MATERIAL			
		FINISH			
NEXT ASSY	USED ON	APPLICATION			
		DO NOT SCALE DRAWING			

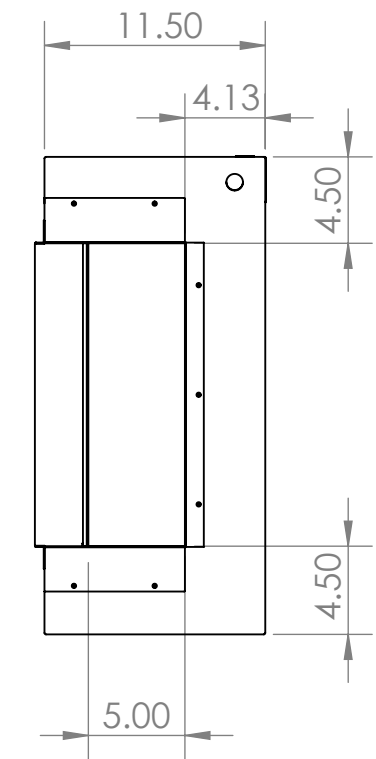
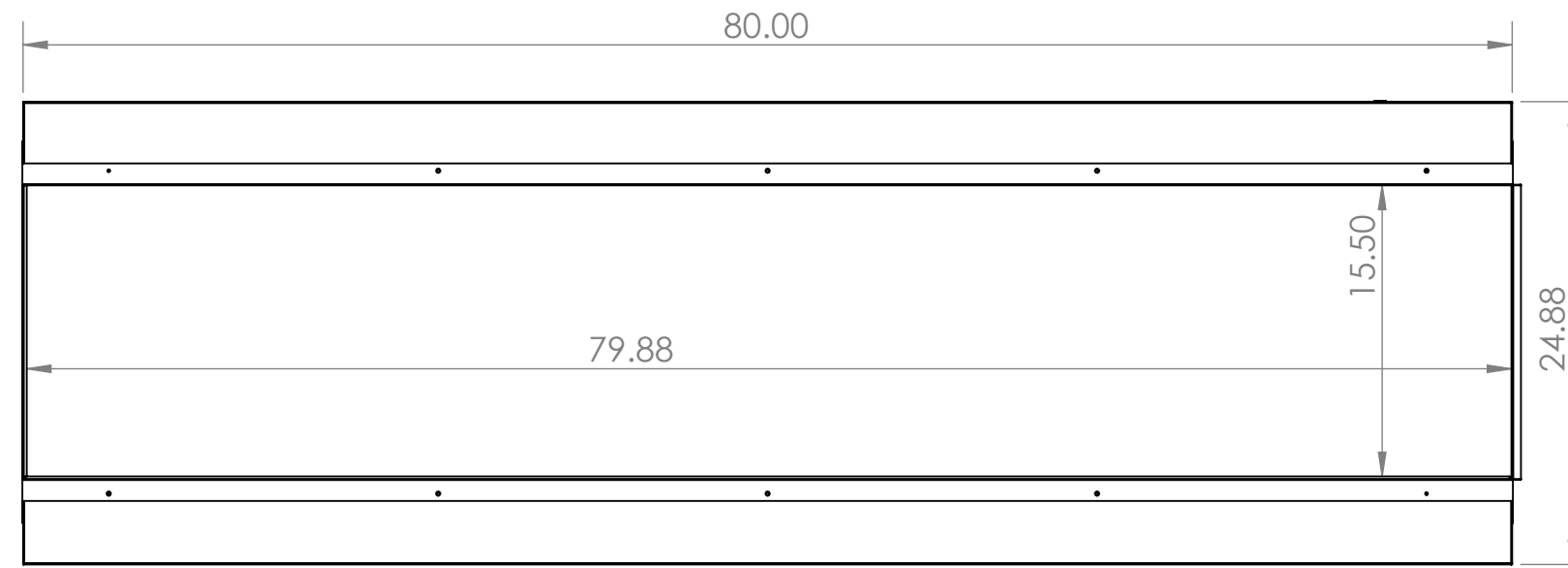
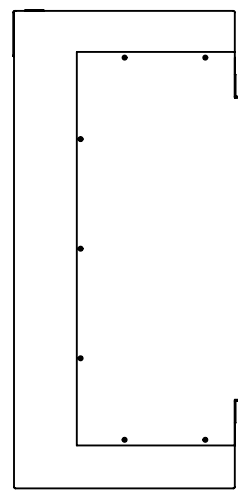
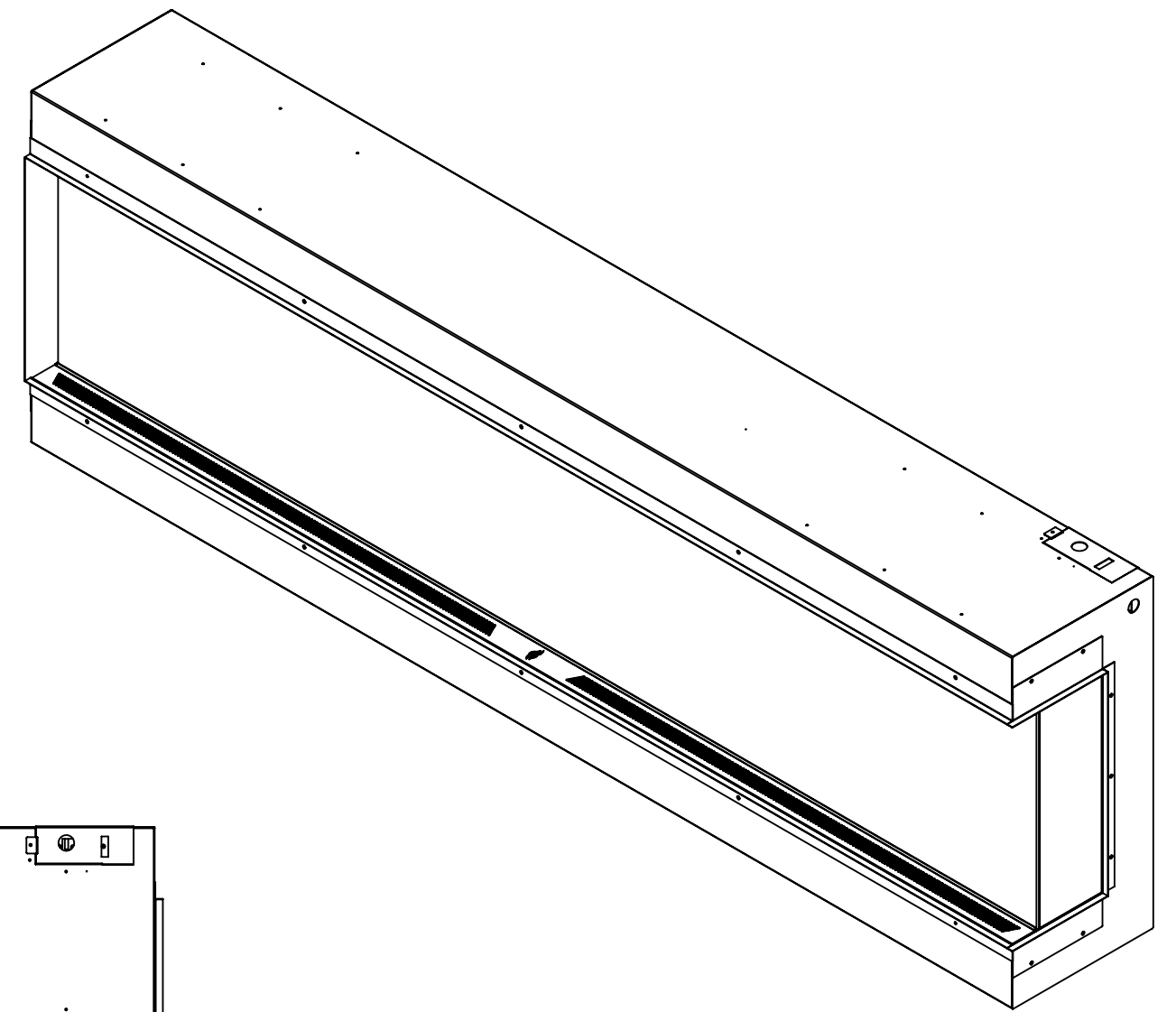
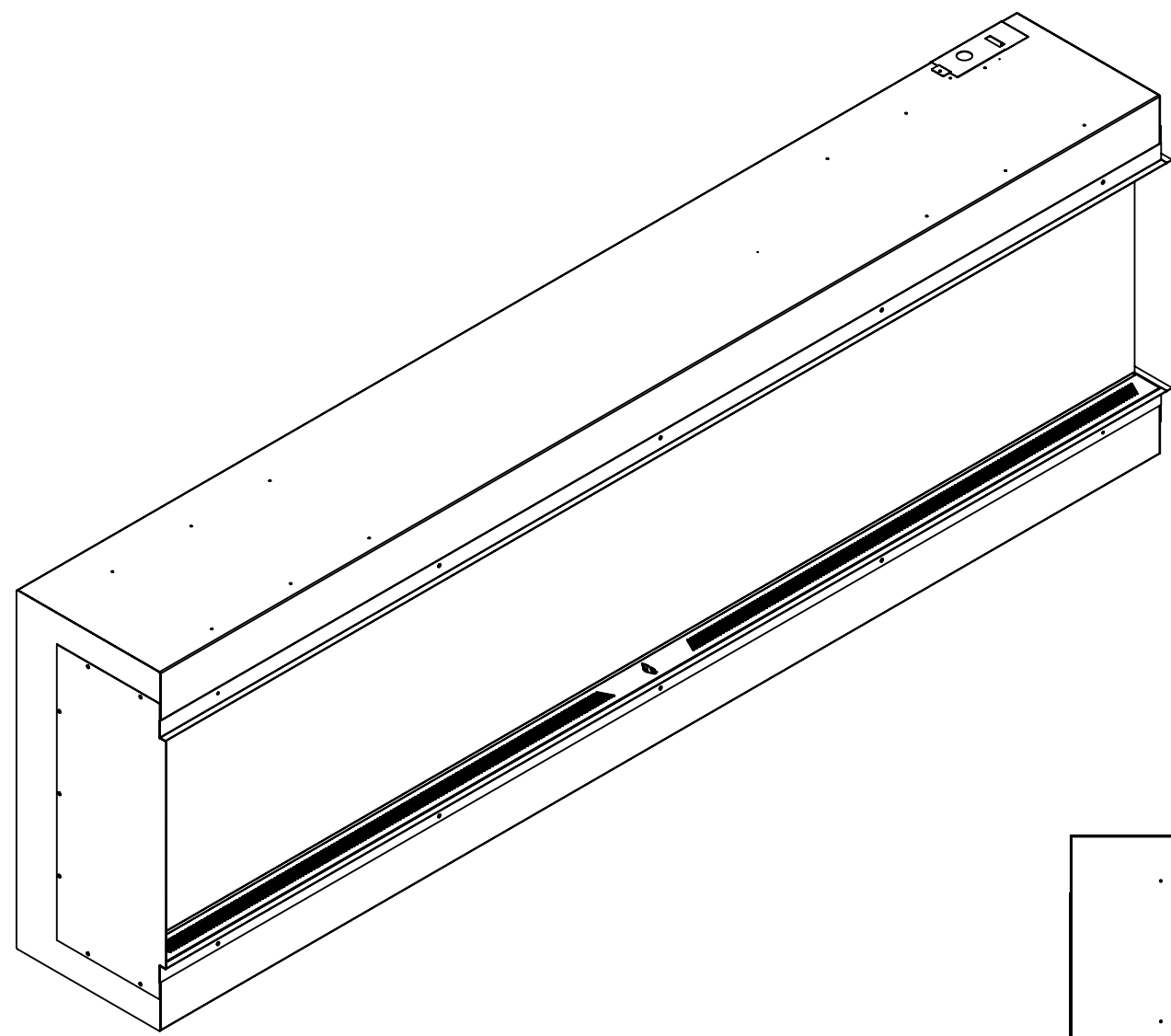
TITLE:		SIZE	DWG. NO.	REV
		<b>C Multiview66</b>		
		SCALE: 1:10	WEIGHT:	SHEET 1 OF 1

4

3

2

1



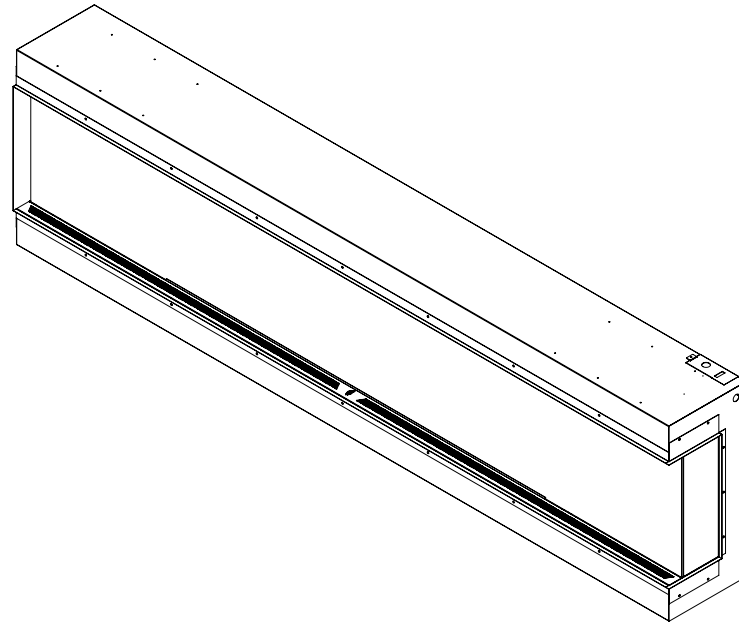
**PROPRIETARY AND CONFIDENTIAL**  
 THE INFORMATION CONTAINED IN THIS DRAWING IS THE SOLE PROPERTY OF <INSERT COMPANY NAME HERE>. ANY REPRODUCTION IN PART OR AS A WHOLE WITHOUT THE WRITTEN PERMISSION OF <INSERT COMPANY NAME HERE> IS PROHIBITED.

		UNLESS OTHERWISE SPECIFIED:		
		DIMENSIONS ARE IN INCHES		
		TOLERANCES:		
		FRACTIONAL ±		
		ANGULAR: MACH ± BEND ±		
		TWO PLACE DECIMAL ±		
		THREE PLACE DECIMAL ±		
		INTERPRET GEOMETRIC TOLERANCING PER:		
		MATERIAL		
		FINISH		
		DO NOT SCALE DRAWING		
NEXT ASSY	USED ON			
APPLICATION				

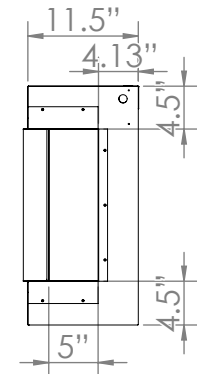
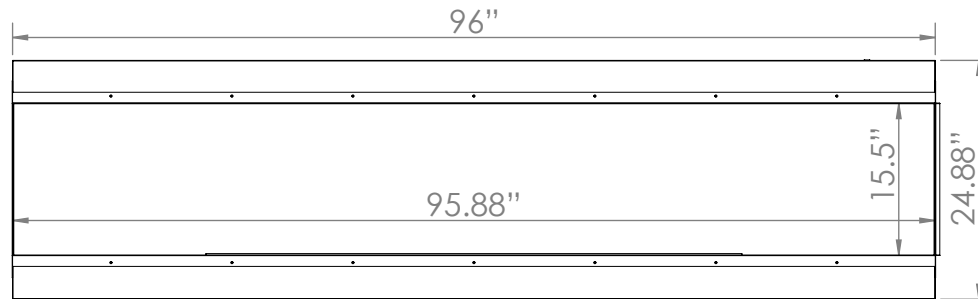
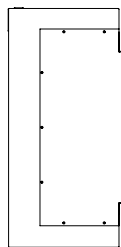
	NAME	DATE
DRAWN		
CHECKED		
ENG APPR.		
MFG APPR.		
Q.A.		
COMMENTS:		

TITLE:		REV
SIZE	DWG. NO.	
<b>C Multiview78</b>		
SCALE: 1:10	WEIGHT:	SHEET 1 OF 1

Volts	AC 120V/60Hz <b>AC 240V/60Hz</b>
Amps	13 Amps
Watts	1560 Watts <b>3060 Watts</b>
Low Heat	1500 Watts <b>1500 Watts</b>
High Heat	1500 Watts <b>3000 Watts</b>
No Heat	>60 Watts
Lamps	LED 12V
Rotor Motor	AC 120V/60Hz 3.7W
Box Size	98 1/2" x 15" x 27"
Box Weight	TBD



**Indicates optional 240V installation**



Part Number	LPM-9616
Series	Landscape Pro Multiview