

ENERVEX®

MFD-S MANUAL FIREPLACE DAMPER

3932000 07.16

Product Information

Use

The MFD-S Manual Fireplace Damper for solid fuel prevents conditioned air from escaping through the chimney when the fireplace is not in use, and to prevent backdraft down the chimney, saving energy.

Description

The MFD-S is a manual fireplace damper with a gravity actuated damper. It is designed to be used with round chimney pipe systems. Although it is designed to support and function with an ENERVEX chimney fan, it works equally well without it. It can be used as a replacement for worn-out, zero clearance fireplace dampers. It is easy to open with cable and handle (included) mounted in the fireplace.

The MFD-S is easy to install because the damper simply slides inside the flue.

The MFD-S is designed for chimney top installations and is for use with solid fuel fireplaces and appliances.

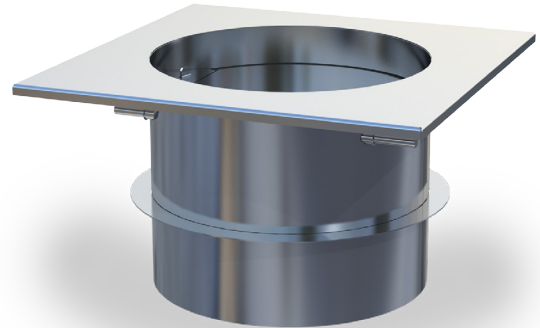
The damper is rated for temperatures up to 1400°F (760°C).

Material

All metal components are 316L stainless steel. Top plate is constructed of 16GA and other components are 18GA.

Standard Equipment

- 30' cable and mounting hardware



ENERVEX® MFD-S MANUAL FIREPLACE DAMPER

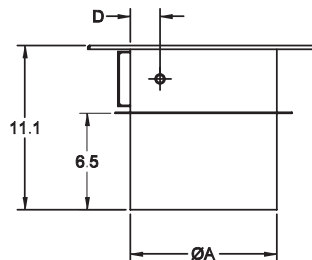
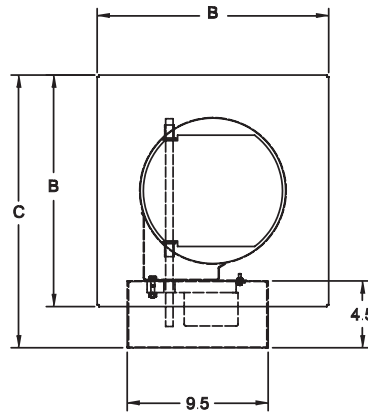
3932000 07.16

Product Information

Specifications

Fan Model		RS009 and RS012									
Chimney Size		6"	8"	10"	11"	12"	13"	14"	16"		
Dimensions	Ø A	in	5.87	7.87	9.87	10.87	11.87	12.87	13.87	15.87	
		mm	149	200	251	276	302	327	352	403	
	BxB	in	15.60	15.60	15.60	15.60	15.60	15.60	15.60	15.60	19.70
		mm	396	396	396	396	396	396	396	396	500
	C	in	15.75	16.75	17.75	18.25	18.75	19.25	19.75	19.75	22.80
		mm	400	425	451	463	476	489	502	502	579
	D	in	2.11	2.27	2.44	2.52	2.61	2.69	2.77	2.77	2.94
		mm	54	58	62	64	66	68	70	70	75

Fan Model		RS014 and RS016										
Chimney Size		8"	10"	11"	12"	13"	14"	16"	18"	20"		
Dimensions	Ø A	in	7.87	9.87	10.87	11.87	12.87	13.87	15.87	17.87	19.87	
		mm	200	251	276	302	327	352	403	454	505	
	BxB	in	19.70	19.70	19.70	19.70	19.70	19.70	19.70	19.70	23.30	24.50
		mm	500	500	500	500	500	500	500	500	592	622
	C	in	18.80	19.80	20.30	20.80	21.30	21.80	22.80	25.60	27.20	
		mm	477	503	516	528	541	554	579	650	691	
	D	in	2.27	2.44	2.52	2.61	2.69	2.77	2.94	3.11	3.27	
		mm	58	62	64	66	68	70	75	79	83	



Specifications are subject to change without notice.