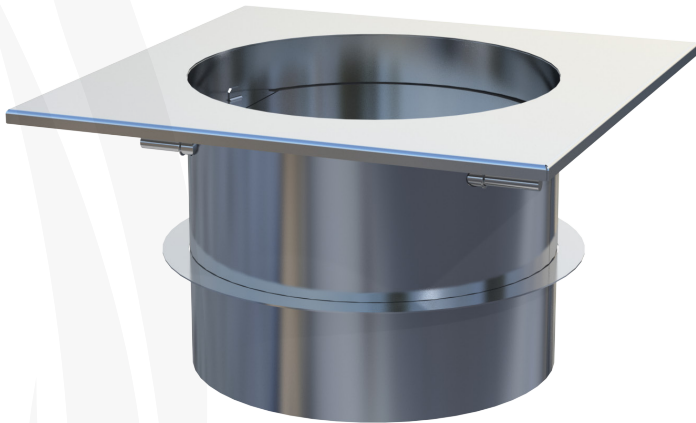


# ENERVEX MFD-S MANUAL FIREPLACE DAMPER - SOLID FUEL

3916100 08.17

Installation & Operating Manual



**READ AND SAVE THESE INSTRUCTIONS!**

**IMPORTANT: READ THESE INSTRUCTIONS CAREFULLY PRIOR TO INSTALLATION.**

- **EXAMINE ALL COMPONENTS FOR POSSIBLE SHIPPING DAMAGE PRIOR TO INSTALLATION.**

### **Symbol Legend**

The following terms are used throughout this manual to bring attention to the presence of potential hazards, or to important information concerning the product.



**DANGER:** Indicates an imminent hazardous situation which, if not avoided, will result in death, serious injury or substantial property damage.



**WARNING:** Indicates an imminent hazardous situation which, if not avoided, may result in personal injury or property damage.

### **How to use this manual**

This installation manual does not contain any system design documentation. System design documentation is available from any authorized ENERVEX representative. Accessories, fans, and variable frequency drives are not covered by this manual. Please refer to these component's individual manuals.

## Content

### 1. PRODUCT INFORMATION

1.1 Function.....	3
1.2 Shipping .....	3
1.3 Warranty .....	3
1.4 Components.....	3

### 2. SPECIFICATIONS AND DIMENSIONS

2.1 Dimensions and Capacities.....	4
------------------------------------	---

### 3. MECHANICAL INSTALLATION

3.1 Location.....	5
3.2 Bracket and Cable Installation.....	5
3.3 Installation of the cable and handle .....	5

### 4. OPERATION

4.1 Cleaning .....	5
--------------------	---

### 5. MAINTENANCE

5.1 Access for Cleaning .....	5
5.2 Cleaning .....	5

## 1. PRODUCT INFORMATION

### 1.1 FUNCTION

The MFD-S Manual Fireplace Damper for solid fuel prevents conditioned air from escaping through the chimney when the fireplace is not in use, and to prevent backdraft down the chimney, saving energy.

The MFD-S is a manual fireplace damper with a gravity actuated damper. It is designed to be used with round chimney pipe systems. Although it is designed to support and function with an ENERVEX chimney fan, it works equally well without it. It can be used as a replacement for worn-out, zero clearance fireplace dampers. It is easy to open with cable and handle (included) mounted in the fireplace.

The MFD is easy to install because the damper simply slides inside the flue.

The MFD-S is designed for chimney top installations and is for use with solid fuel fireplaces and appliances.

The damper is rated for temperatures up to 1400°F (760°C).

All metal components are 316L stainless steel. Top plate is constructed of 16GA and other components are 18GA.

### 1.2 SHIPPING

Damper, actuator, cover and hardware are shipped as a unit.

\* If other components are shipped, they will appear as separate items on the packing list.

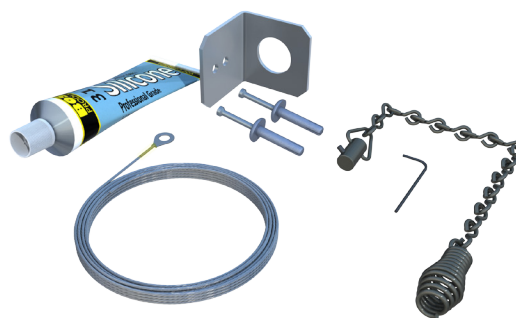
### 1.3 WARRANTY

2-Year Factory Warranty. Complete warranty conditions are available from ENERVEX, Inc.

### 1.4 COMPONENTS

Components of the MFD-S are listed below:

- 30' cable and mounting hardware.



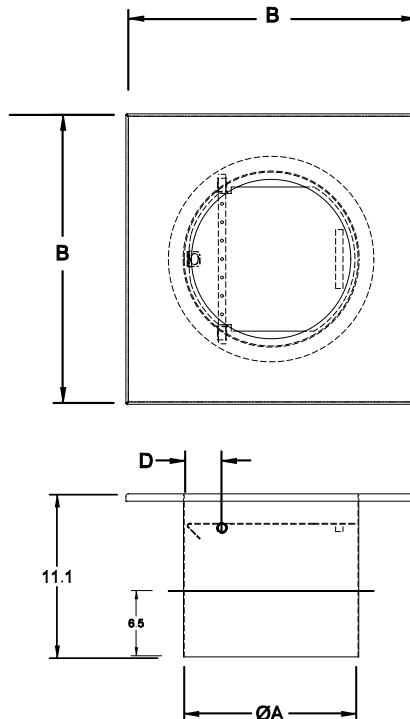
## 2. SPECIFICATIONS AND DIMENSIONS

### 2.1 DIMENSIONS AND CAPACITIES

Fan Model		RS009 and RS012									
Chimney Size		6"	8"	10"	11"	12"	13"	14"	16"		
Dimensions	Ø A	in	5.87	7.87	9.87	10.87	11.87	12.87	13.87	15.87	
		mm	149	200	251	276	302	327	352	403	
	BxB	in	15.60	15.60	15.60	15.60	15.60	15.60	15.60	15.60	19.70
		mm	396	396	396	396	396	396	396	396	500
	C	in	15.75	16.75	17.75	18.25	18.75	19.25	19.75	19.75	22.80
		mm	400	425	451	463	476	489	502	502	579
D	in	2.11	2.27	2.44	2.52	2.61	2.69	2.77	2.77	2.94	
	mm	54	58	62	64	66	68	70	70	75	

Fan Model		RS014 and RS016										
Chimney Size		8"	10"	11"	12"	13"	14"	16"	18"	20"		
Dimensions	Ø A	in	7.87	9.87	10.87	11.87	12.87	13.87	15.87	17.87	19.87	
		mm	200	251	276	302	327	352	403	454	505	
	BxB	in	19.70	19.70	19.70	19.70	19.70	19.70	19.70	19.70	23.30	24.50
		mm	500	500	500	500	500	500	500	500	592	622
	C	in	18.80	19.80	20.30	20.80	21.30	21.80	22.80	25.60	27.20	
		mm	477	503	516	528	541	554	579	650	691	
D	in	2.27	2.44	2.52	2.61	2.69	2.77	2.94	3.11	3.27		
	mm	58	62	64	66	68	70	75	79	83		

Other sizes available upon request.



---

## 3. MECHANICAL INSTALLATION

### 3.1 LOCATION

Mount the MFD outdoors at the top of a steel chimney. Slide the collar of the MFD into the steel chimney until the damper rests on the stop flange. Sheet metal screws may be installed around the collar into the chimney for additional support.

Once the MFD is secured, place the RSHT fan on the adapter. Use the mounting holes on the fan base as a drill template to make one mounting hole in each corner of the adapter. Use bolts and locking nuts to secure the fan to the MFD.

### 3.2 BRACKET AND CABLE INSTALLATION

NOTE:

Cable length must not exceed 30 feet. If you need a longer cable, contact ENERVEX.

Mount bracket in fireplace.

- 1) Using 1/4" drill bit, drill one hole about 1" into brick towards the front of the firebox approximately 20" off the firebox floor.
- 2) Insert nail anchor in top hole of bracket and secure to firebox wall with hammer.
- 3) Install second nail anchor to bracket.

### 3.3 INSTALLATION OF THE CABLE AND HANDLE

- 1) Pull handle and cable through bracket until slack is removed. Loosen brass lug with Allen wrench and slide the cable up to bracket. Pull cable down until damper closes then tighten brass lug with Allen wrench.
- 2) Check and adjust operation. Then remove excess cable.

## 4. OPERATION

### 4.1 OPERATION

Close the damper by pulling the cable down and sliding the brass lug under the bracket. Secure within one of the slots. To open damper release brass lug from under the bracket and let cable ascend.

## 5. MAINTENANCE AND TROUBLESHOOTING

### 5.1 ACCESS FOR CLEANING

To ensure proper cleaning, access to the duct must be available per the following instructions.

Follow NFPA 96 (or other code if applicable) for required openings in the duct for accessibility required for thorough cleaning. Some of these openings requirements are:

- Openings at change of direction, if not accessible from the duct entry or discharge.
- Access for cleaning and inspection where fans with duct work connected on both sides within 3' of each side of fan.

Horizontal ducts only:

- Opening for thorough cleaning at 12' intervals, where opening is not large enough for personnel entry.

Vertical ducts only:

- Access at the top of a vertical riser to accommodate personnel descent.
- Where personnel entry is not possible, access at every floor.

## **5.2 CLEANING**

Clean the MFD periodically at the same time the fan and/or chimney are cleaned.

Damper should be cleaned with a cloth or rag. Check for and remove any debris that may be blocking the damper opening or chimney.





3916100 08.17