

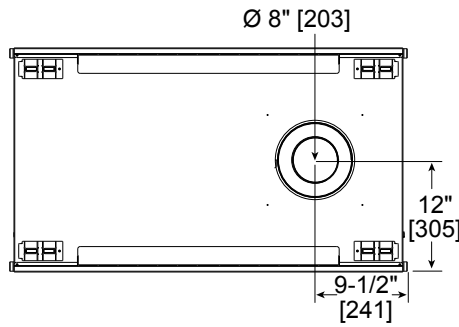
MAJESTIC

Please consult the manufacturer's installation manual for all details and requirements before making a final design layout decision.

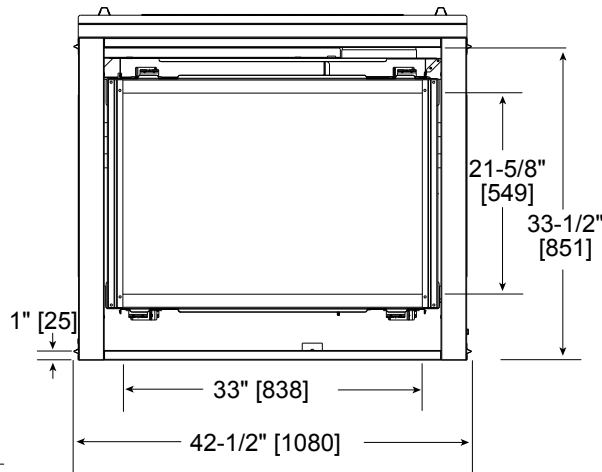
SEE-THROUGH

Direct Vent Gas Fireplace

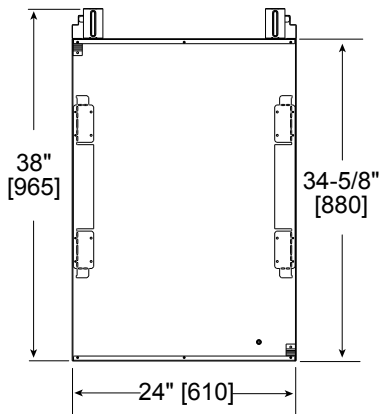
MODEL	HEIGHT		FRONT WIDTH		BACK WIDTH		DEPTH		GLASS SIZE
	ACTUAL	FRAMING	ACTUAL	FRAMING	ACTUAL	FRAMING	ACTUAL	FRAMING	
ST-DV36IN 38,000 BTU (NG) 35,500 BTU (LP)	38" [965]	38-1/8" [968]	42-1/2" [1080]	43" [1092]	42-1/2" [1080]	43" [1092]	24" [610]	23" [584]	33" x 21-5/8" [838 x 549]



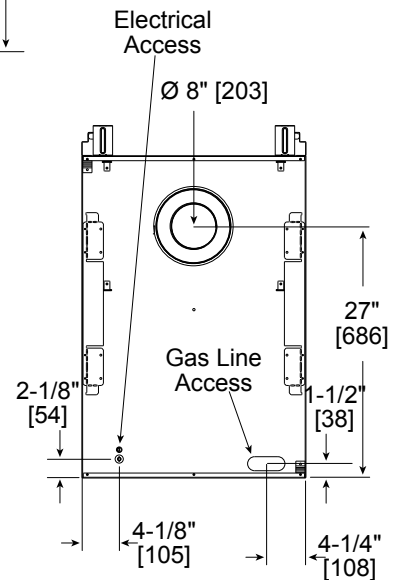
TOP VIEW



FRONT VIEW



LEFT SIDE

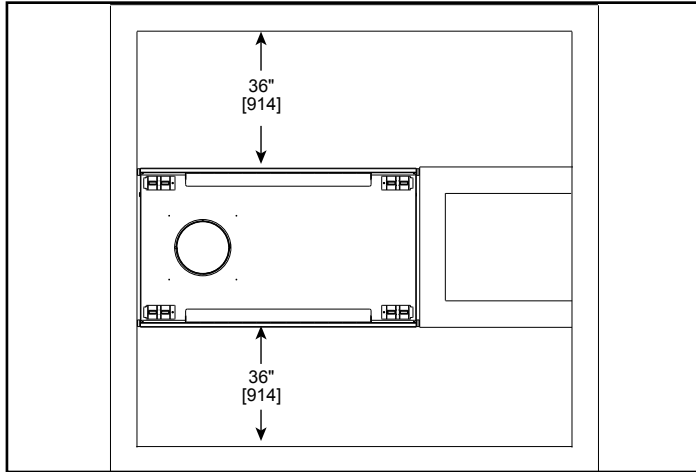


RIGHT SIDE

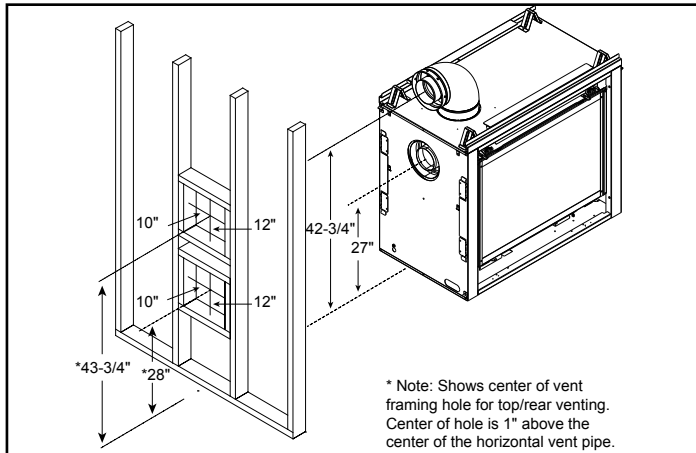
MINIMUM FIREPLACE CLEARANCES

AREA	TO COMBUSTIBLES
CLEARANCE TO CEILING	31
COMBUSTIBLE/NON-COMBUSTIBLE FLOOR	0"
ENDS OF APPLIANCE	1/2"
GLASS SIDES OF APPLIANCE	36"

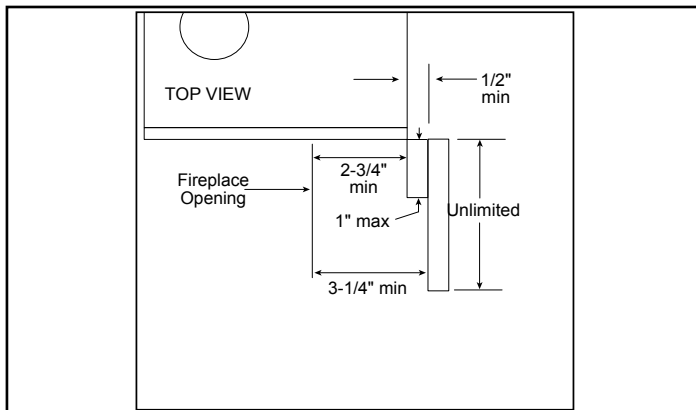
APPLIANCE LOCATION



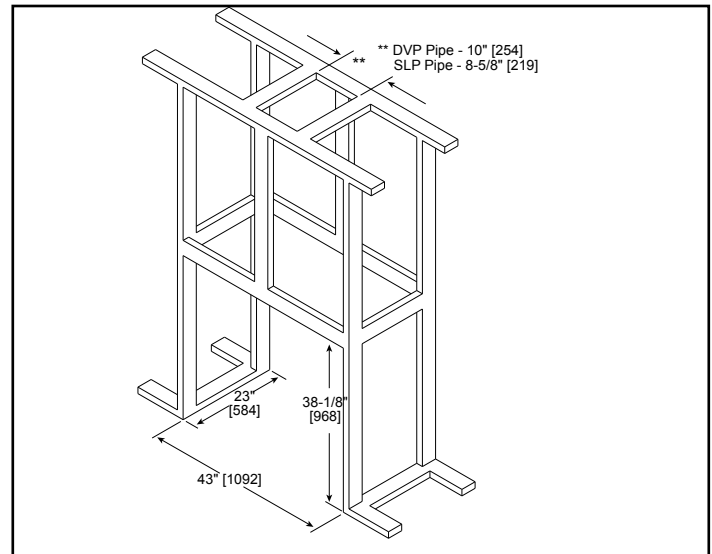
WALL PENETRATION



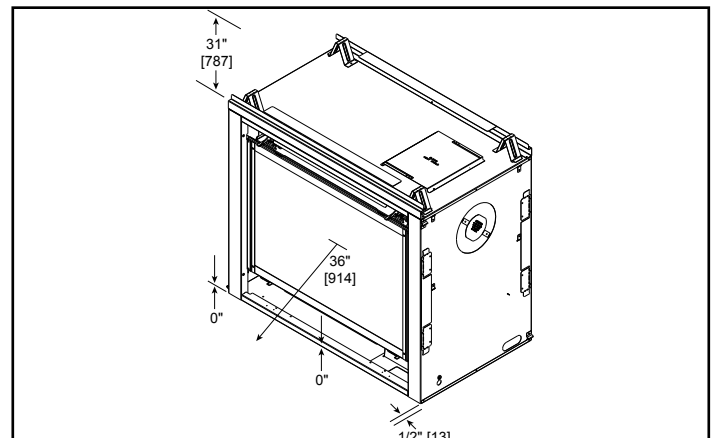
LEG/WALL PROJECTIONS



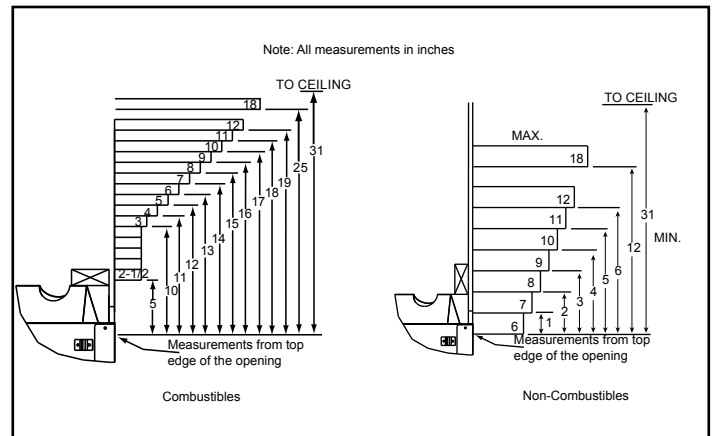
FRAMING DIMENSIONS



CLEARANCES TO COMBUSTIBLES



MANTEL PROJECTIONS



PRODUCT LISTING CODES

US	ANSI Z21.88-2016
CAN	CSA 2.33-2016

Product information provided is not complete and is subject to change without notice. Product installation must adhere strictly to instructions accompanying product to avoid risk of fire and potential injury.