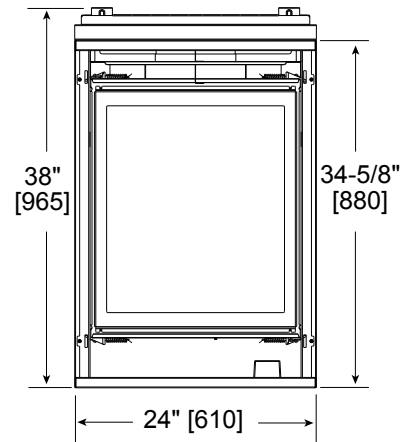
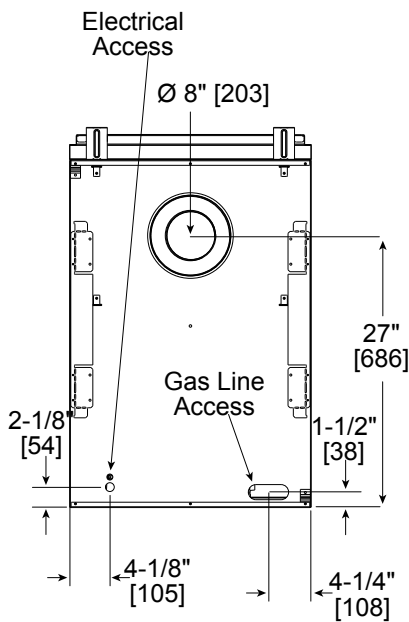
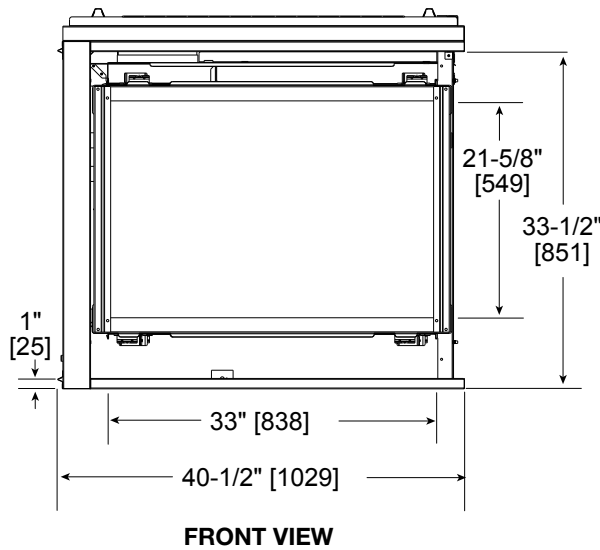
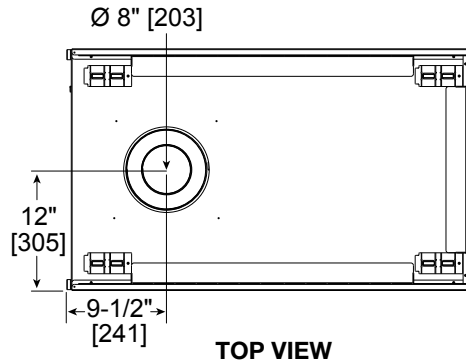


**MAJESTIC**

Please consult the manufacturer's installation manual for all details and requirements before making a final design layout decision.

**PIER**  
Direct Vent Gas Fireplace

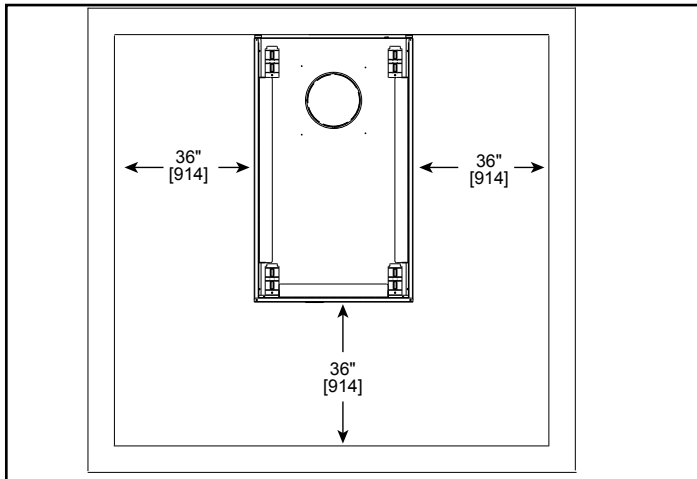
| MODEL  | HEIGHT       |                  | FRONT WIDTH       |               | BACK WIDTH        |               | DEPTH        |              | GLASS SIZE                   |
|--|--------------|------------------|-------------------|---------------|-------------------|---------------|--------------|--------------|------------------------------|
|  | ACTUAL       | FRAMING          | ACTUAL            | FRAMING       | ACTUAL            | FRAMING       | ACTUAL       | FRAMING      |                              |
| <b>PIER-DV36IN</b><br>38,000 BTU (NG)<br>35,500 BTU (LP) | 38"<br>[965] | 38-1/8"<br>[968] | 40-1/2"<br>[1029] | 40"<br>[1016] | 40-1/2"<br>[1029] | 40"<br>[1016] | 24"<br>[610] | 23"<br>[584] | 33" x 21-5/8"<br>[838 x 549] |



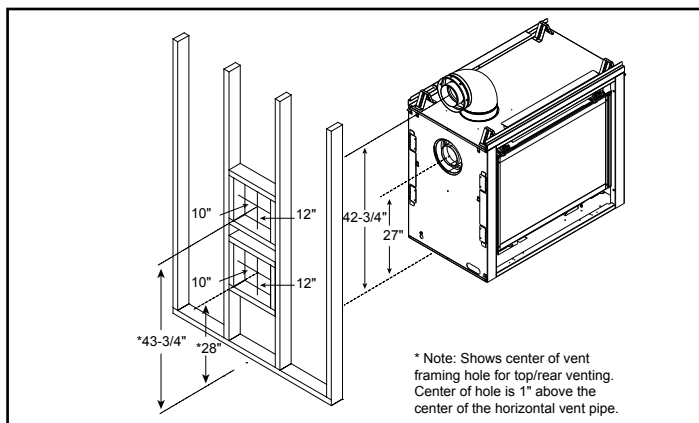
**MINIMUM FIREPLACE CLEARANCE**

| AREA                              | TO COMBUSTIBLES |
|-----------------------------------|-----------------|
| Clearance to Ceiling              | 31              |
| Combustible/Non-Combustible Floor | 0"              |
| Ends of Appliance                 | 1/2"            |
| Glass Sides of Appliance          | 36"             |

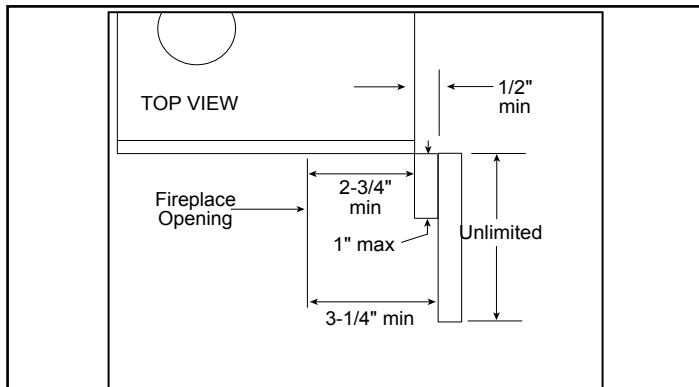
**APPLIANCE LOCATION**



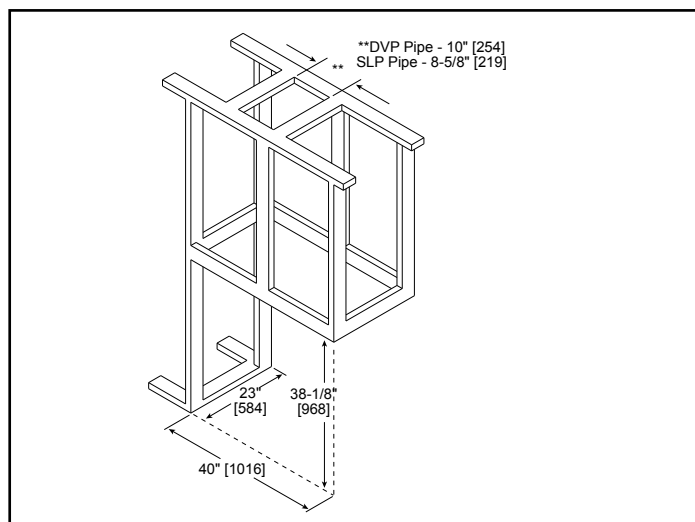
**WALL PENETRATION**



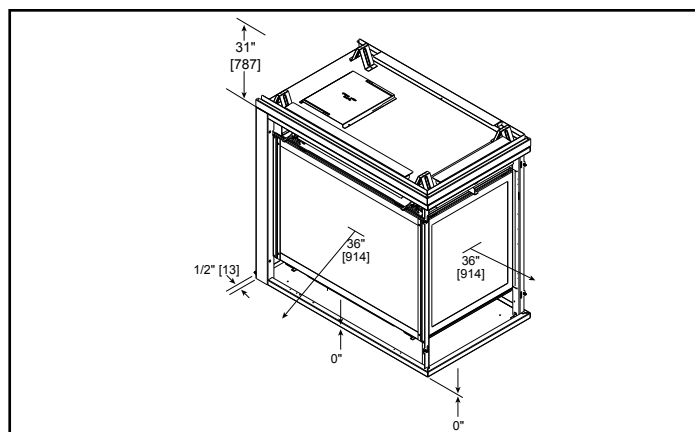
**MANTEL LEG/WALL PROJECTIONS**



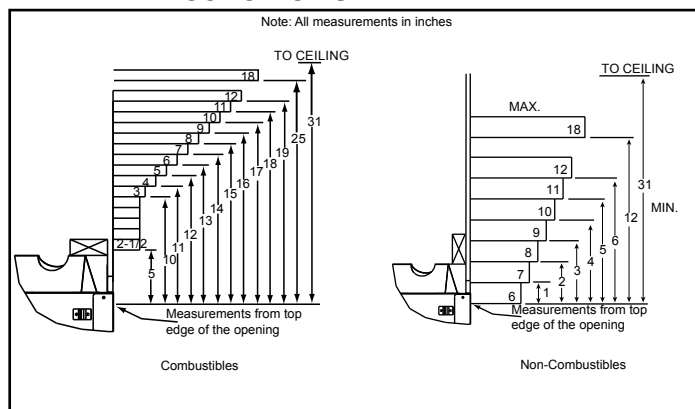
**FRAMING DIMENSIONS**



**CLEARANCES TO COMBUSTIBLES**



**MANTEL PROJECTIONS**



| PRODUCT LISTING CODES |                  |
|-----------------------|------------------|
| US                    | ANSI Z21.88-2016 |
| CAN                   | CSA 2.33-2016    |

Product information provided is not complete and is subject to change without notice. Product installation must adhere strictly to instructions accompanying product to avoid risk of fire and potential injury.