



MEMPHIS
WOOD FIRE GRILLS



Memphis ITC 2.0 Slide-In Kit Installation

For 2016 & Later Memphis Pro and Elite Cart Models

MEMPHIS

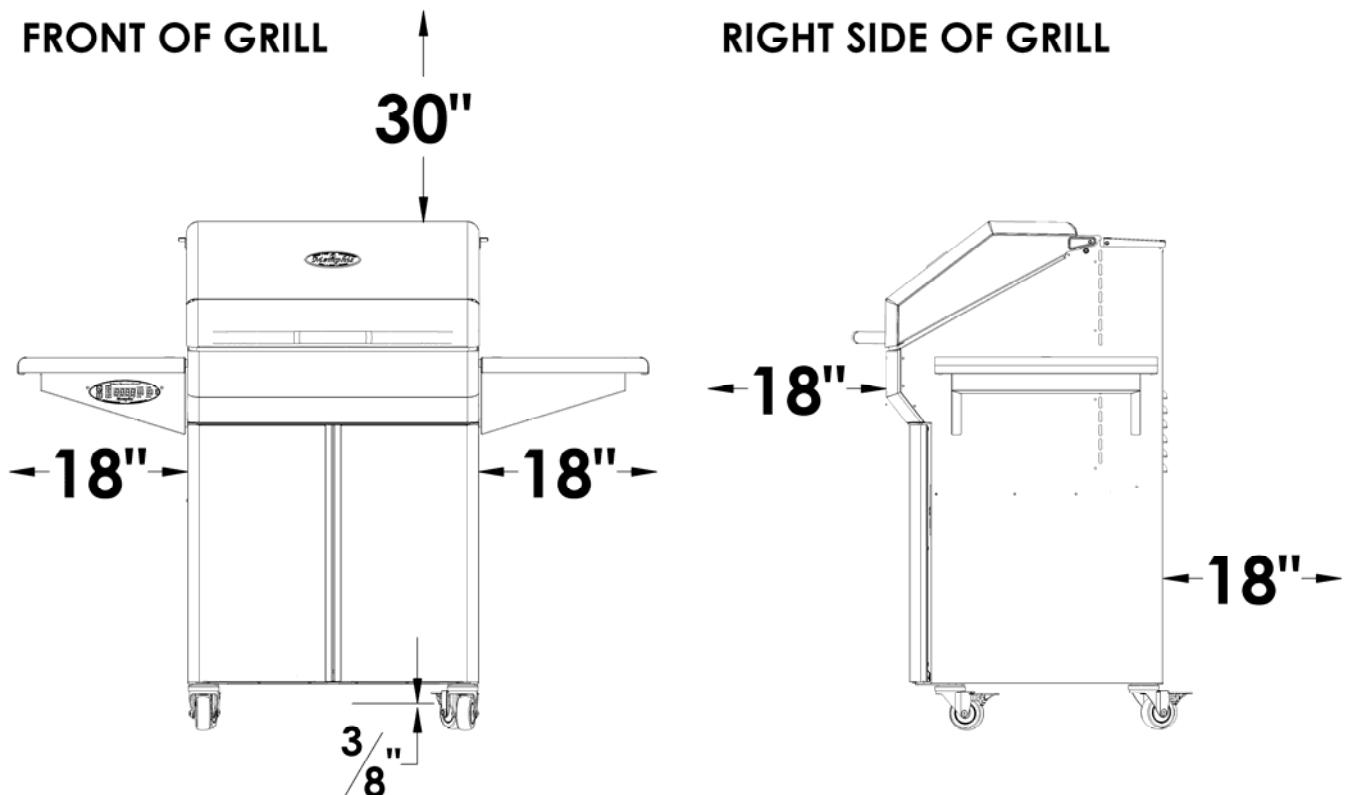


⚠️ WARNING! ⚠️

- Please read this entire manual before installation and use of this wood pellet fuel-burning appliance. Failure to follow these instructions could result in property damage, bodily injury or even death.
- Contact local building or fire officials about restrictions and installation inspection requirements in your area.
- Save these instructions.
- For outdoor use only. Do not use in any enclosed area.
- Do not put anything flammable in the storage area under the grill.
- Keep the grill's rear ventilation slots clear of obstructions.
- Accessible parts of the grill are very hot. Keep young children away while in use.
- The grill should be plugged into a GFCI (Ground-Fault Circuit Interrupt) outlet.
- If the power cord becomes damaged, do not operate the grill.
- Any modifications (holes, screws, sheet metal changes) to the grill will void warranty.

Any combustible material in the vicinity of the grill must be at least 30" (76cm) from the top of the grill, at least 18" (46cm) from the sides of the grill, at least 18" (46cm) from the front and back of the grill and at least 3/8" (1cm) from the bottom of the grill.

ANY MATERIAL CLOSER THAN THESE CLEARANCES MUST BE FULLY NON-COMBUSTIBLE



MEMPHIS

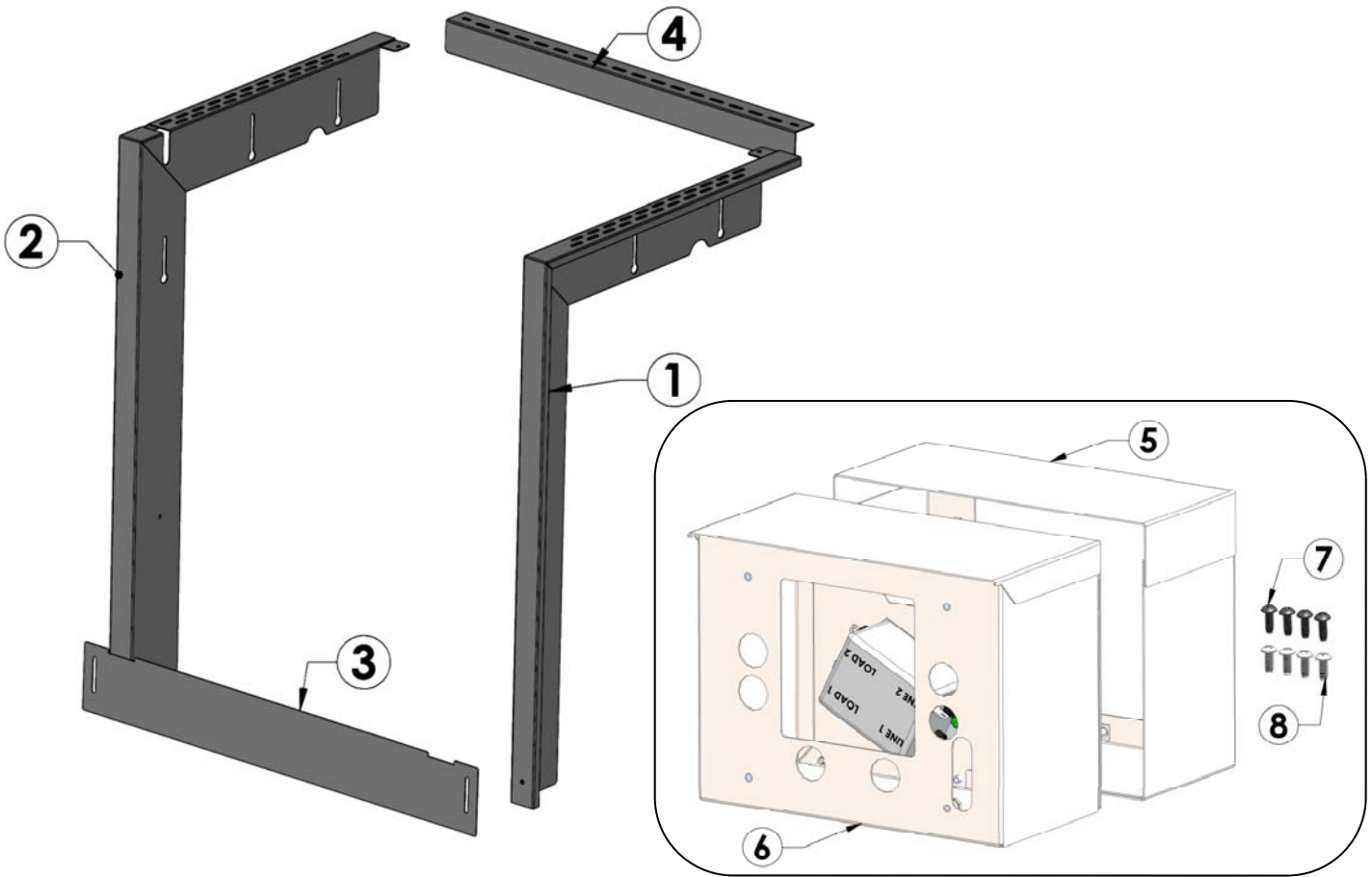


FOR THIS ASSEMBLY YOU WILL NEED:

- **3/8" OR ADJUSTABLE WRENCH**
- **5/16" NUT DRIVER OR SOCKET WITH STRAIGHT-DRIVER**
 - **1 PHILIPS SCREWDRIVER**
 - **1 FLAT-HEAD SCREWDRIVER**
- **PROTECTIVE GLOVES AND EYEWEAR**



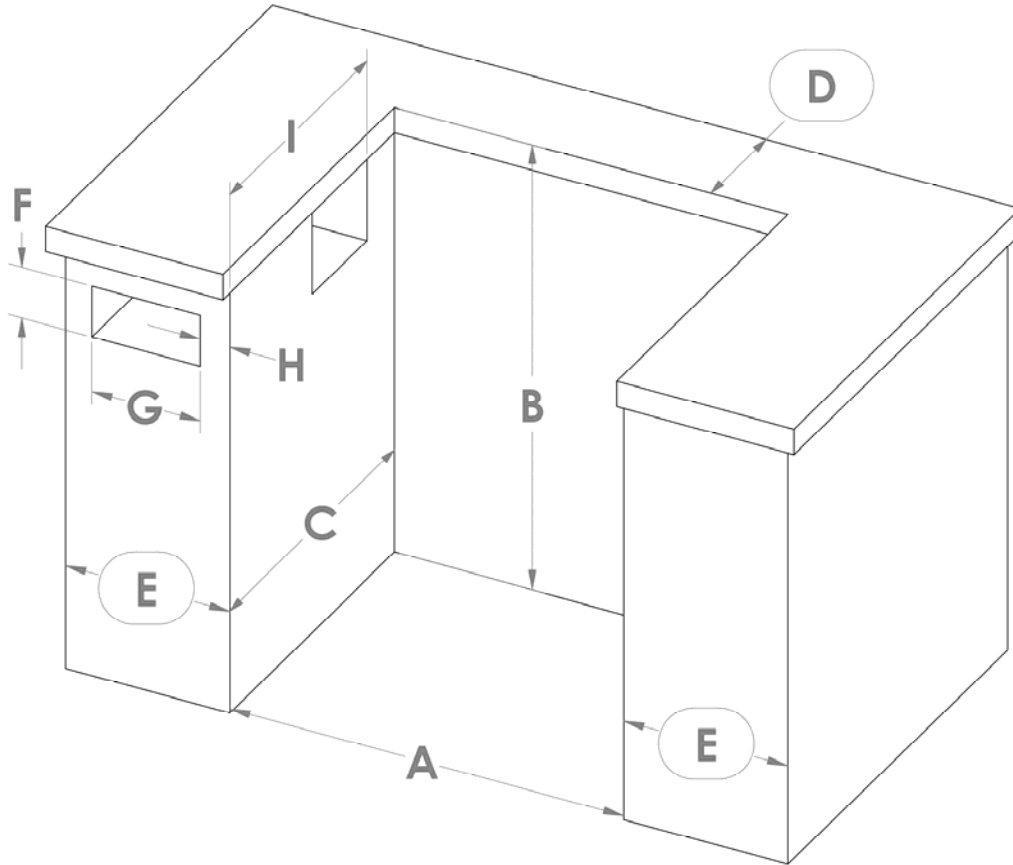
Memphis Slide-In Kit Contents (Brackets and Hardware Kit)



TEM NO	PART NO.	DESCRIPTION	QTY.
1	VG0819	SLIDE IN, BRACKET, RIGHT	1
2	VG0818	SLIDE IN, BRACKET, LEFT	1
3	VG0817	PRO SLIDE IN BOTTOM CONCEAL	1
4	VG0820	PRO SLIDE-IN, BRACKET, BACK	1
5	VG1166 (VG0165)	CONTROL BOX MOUNT BRACKET	1
6	VG1166(VG0166/VG0167)	SLIDE-IN KIT CONTROL BOX	1
7	DS2185	#10 SELF-TAPPING SCREW BLACK	4
8	DS2186	#10 SELF-TAPPING SCREW SS	4



Memphis Slide-In Kit Island Dimensions



DIM.	DESCRIPTION	PRO (IN.)	ELITE (IN.)	PRO (MM)	ELITE (MM)
A	MINIMUM CAVITY WIDTH	30	42.375	762	1076
B	COUNTERTOP HEIGHT (± .75 INCHES / 19MM)	35.25	36.25	895	921
C	MINIMUM CAVITY DEPTH*	23.75	23.75	603	603
D	MINIMUM REAR CLEARANCE TO COMBUSTIBLE MATERIAL	3.5	3.5	89	89
E	MINIMUM SIDE CLEARANCE TO COMBUSTIBLE MATERIAL	12	12	305	305
F	CONTROLLER CAVITY HEIGHT	6.5	6.5	165	165
G	CONTROLLER CAVITY WIDTH	8.5	8.5	216	216
H	MINIMUM CLEARANCE TO CONTROLLER	3	3	76	76
I	CONTROLLER CAVITY ENTRANCE DEPTH*	22	22	559	559

*Does not include countertop front overhang.

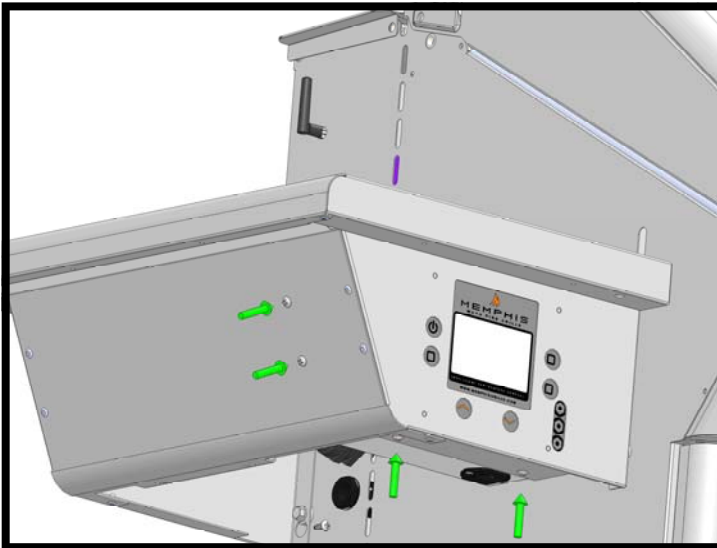
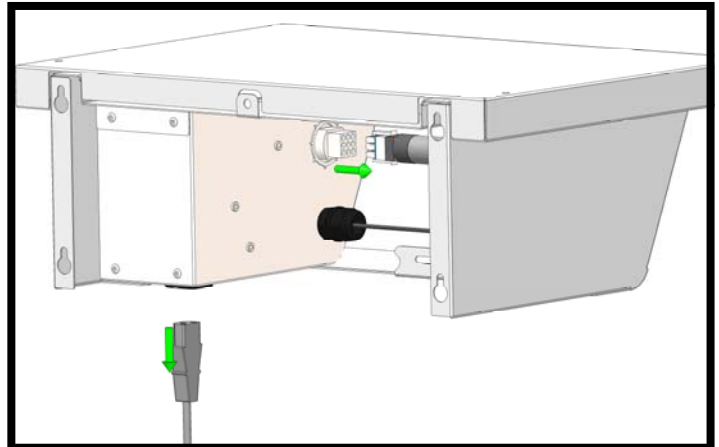


Memphis Slide-In Kit Installation

1

Remove
Cords

Begin by opening the left side shelf, and removing the stainless pan. Unplug the grill's power cord, and the controller cord from the back of the control box (a large, white plug).



Using a Philips screwdriver, remove the two screws holding the grill's back cover, as well as the four screws holding the controller box.

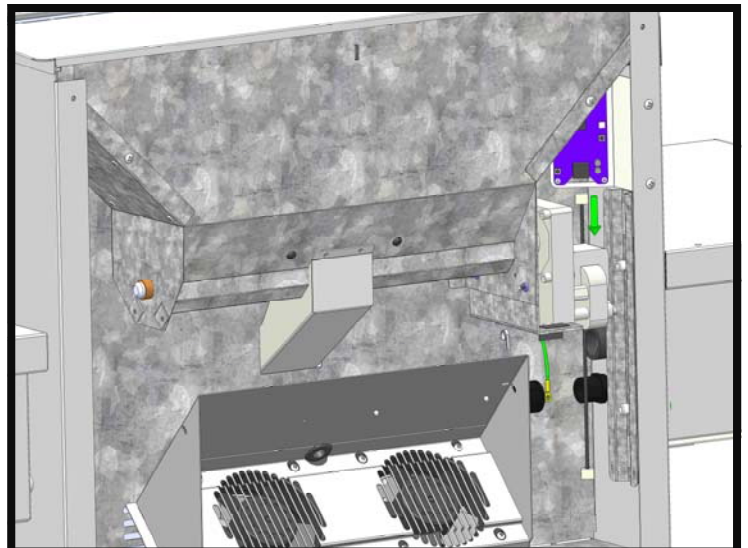
2

Remove
Screws

3

Disconnect
WiFi Cable

Remove the back cover of the grill by pulling upwards. In the upper-right corner of the back grill compartment (next to the auger motor), unplug the Ethernet cable from the bottom of the WiFi card.



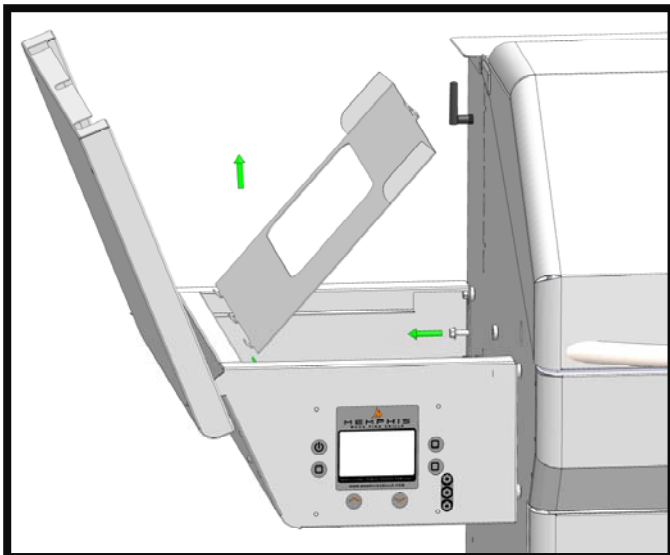
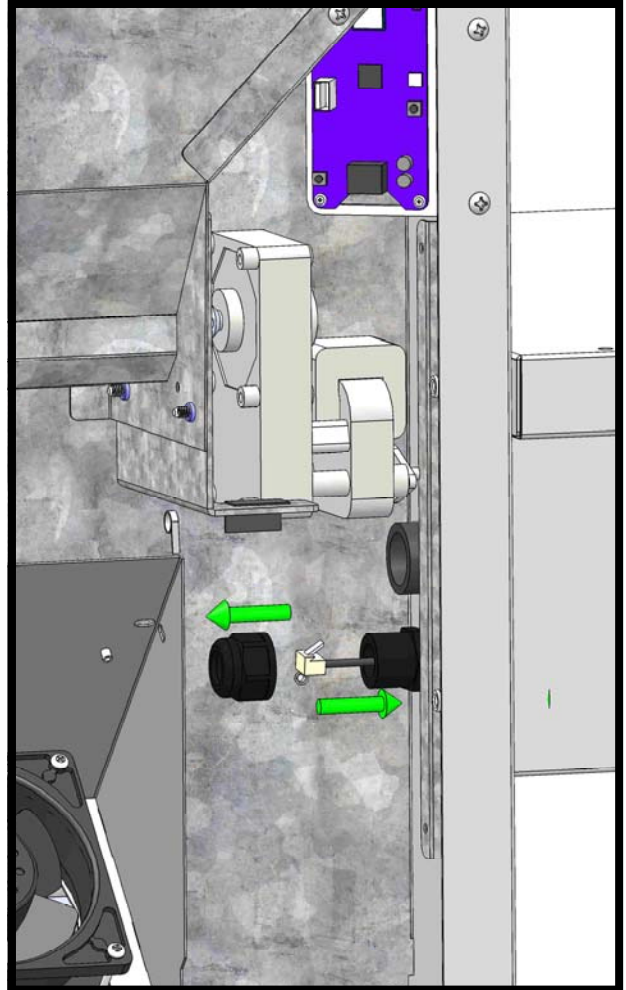


Memphis Slide-In Kit Installation

4

Remove WiFi
Cable

Trace the Ethernet cord to its strain-relief on the side wall of the grill, in the lower-right of the compartment. Loosen the protruding portion of the strain-relief until it disconnects (a rubber gasket may come off with it). Route the Ethernet cable out of the grill, and reserve the loose portion(s) of the strain relief. There will be a portion of the strain relief that remains on the side of the grill.



5

Remove Shelf
Tray

Using a 3/8" or adjustable wrench, remove the bolt holding the stainless tray in place (it's the top-middle bolt), then tip the tray upwards and lift it out.

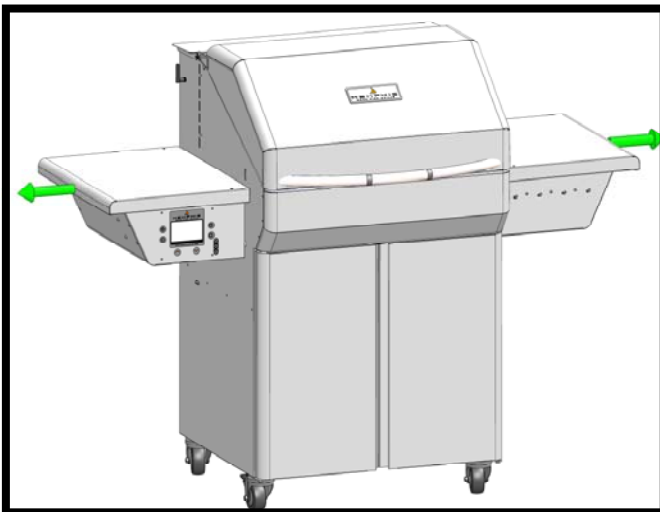
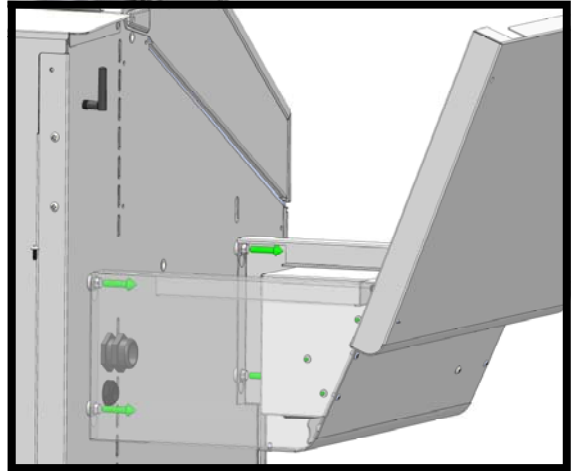


Memphis Slide-In Kit Installation

6

Loosen Shelf
Bolts

Using the same 3/8" wrench from the last step loosen (don't remove) the four remaining bolts that hold the left side shelf. Open the right side-shelf and loosen its five bolts as well.



7

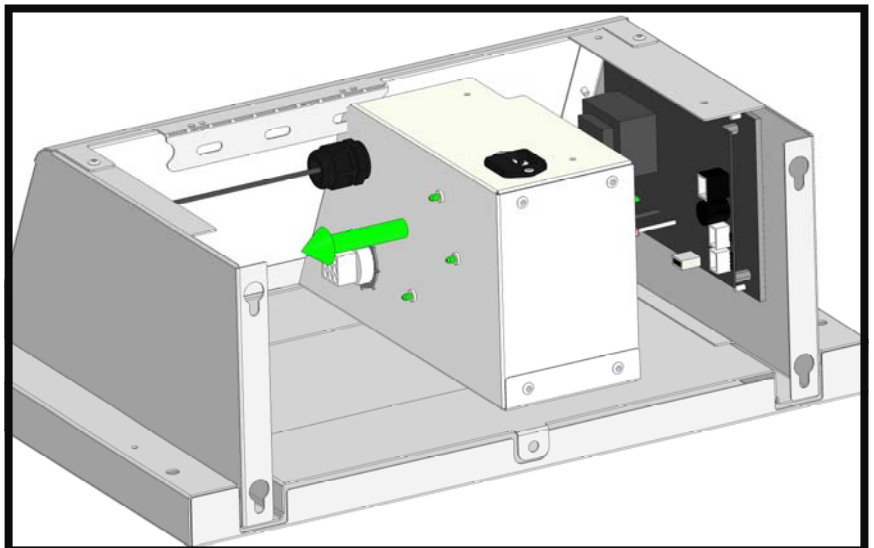
Remove
Shelves

Lift the shelves up, and pull them outward to free them from the bolts. Until you convert the unit back into a standard cart, you will not need the right side shelf.

8

Un-box
Controller

Set the left side shelf on a desk or table, preferably upside-down. Gently pull the controller box backwards to reveal the back of the controller.



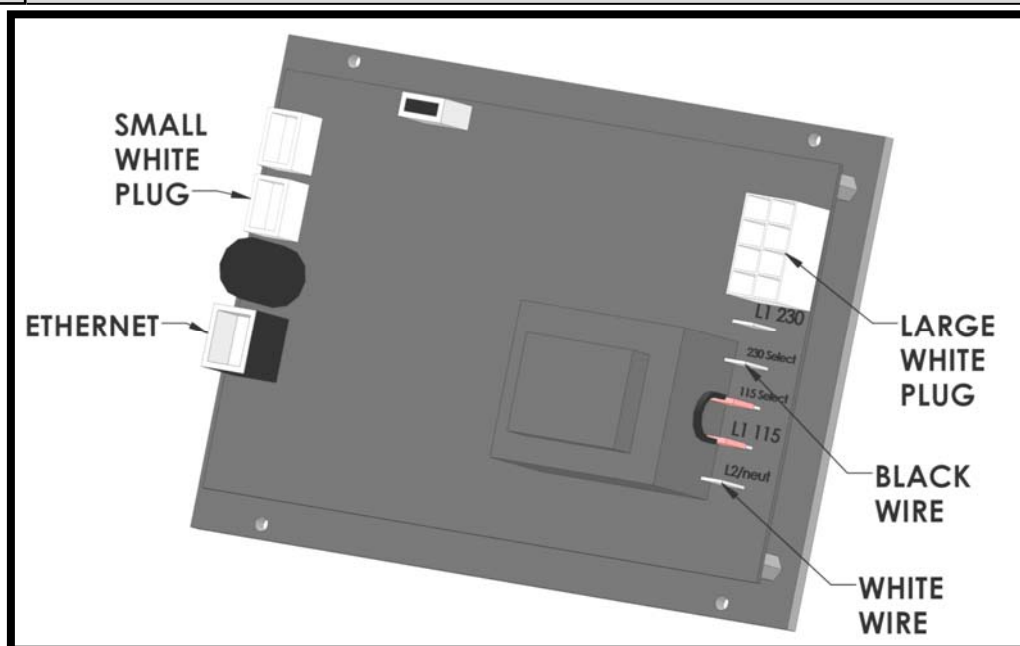


Memphis Slide-In Kit Installation

9

Remove Plugs
From
Controller

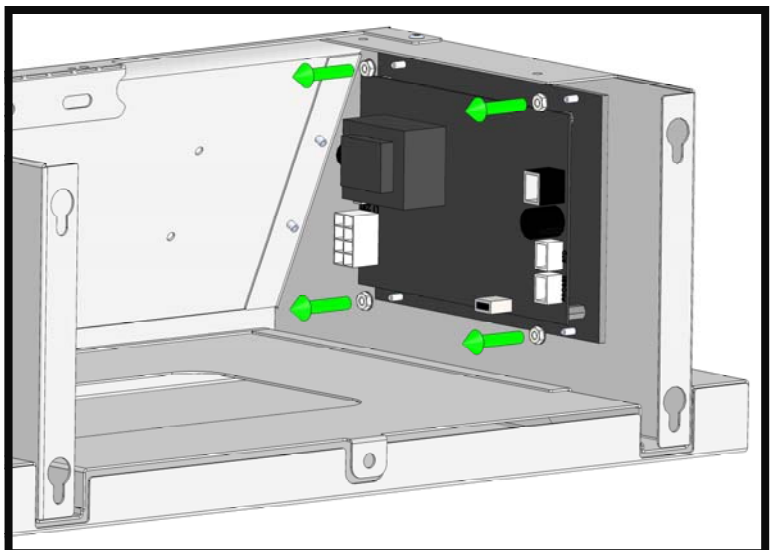
Unplug the large white plug, the small white plug labelled “RTDs & Switches” (**NOT** the small white plug labeled “Meat Probes”), the Ethernet cable, the black wire, and the white wire from the back of the controller (do not pull on the wires themselves, but on their plastic connectors). You should now be able to pull the control box completely away.



10

Remove
Controller

Using a 5/16" nut-driver or ratcheting socket, remove the four nuts holding the controller to the front of the shelf. Pull the controller off of the threaded studs.



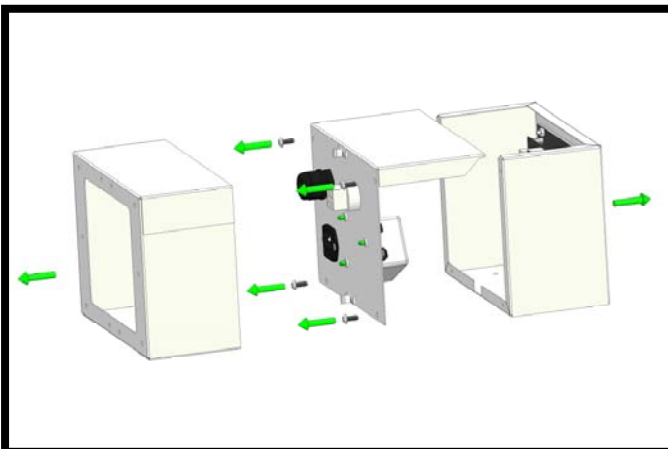


Memphis Slide-In Kit Installation

11

Open Slide-In
Kit Control
Box

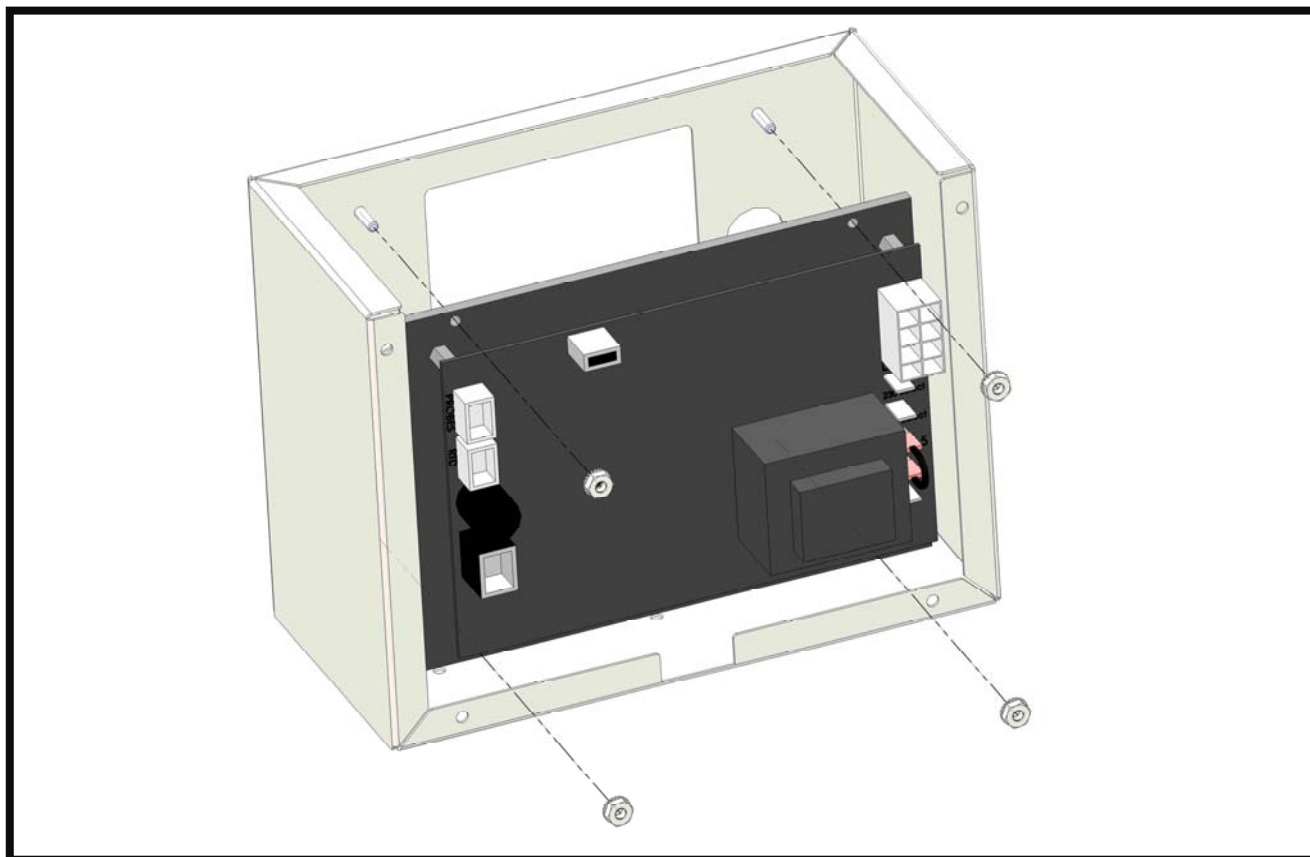
Pull the Slide-in Control Box away from the Control Box Bracket. Use a screw driver to remove the four screws in the Control Box Back, and separate it from the Control Box Front. Reserve the Control Box Bracket, and the four screws.



Remove the four nuts on the threaded studs of the Control Box Front and reserve. Place the controller on the four threaded studs. Fasten the controller onto it using the 5/16" tool and nuts you just reserved.

12

Place Controller On Slide
-In Kit Control Box



MEMPHIS

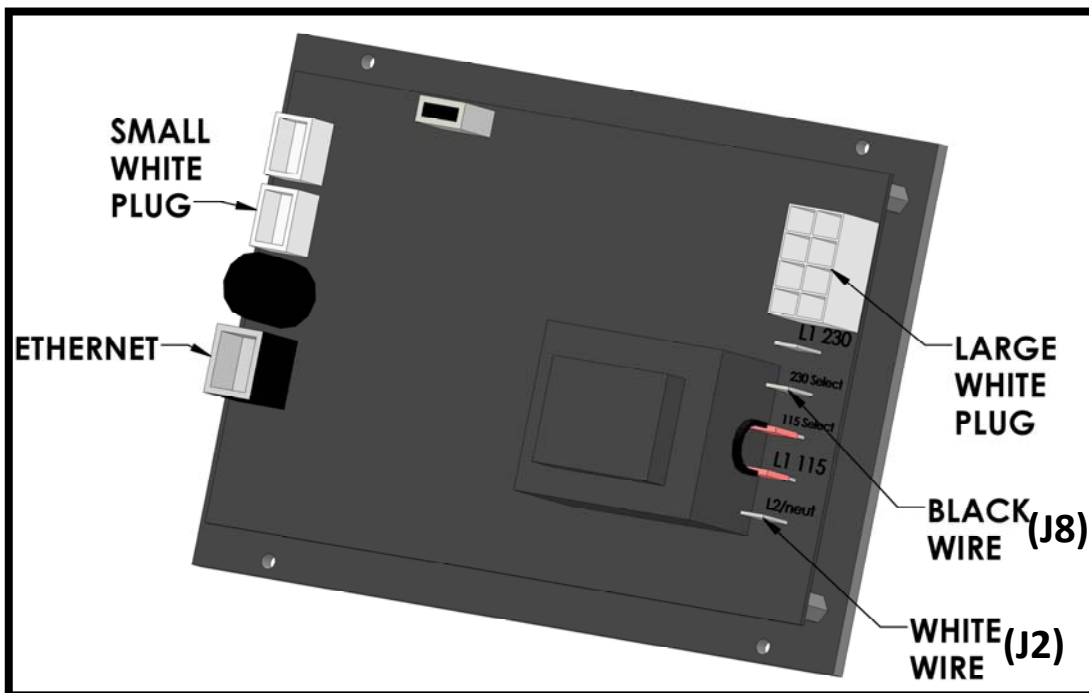


Memphis Slide-In Kit Installation

13

Connect
Controller

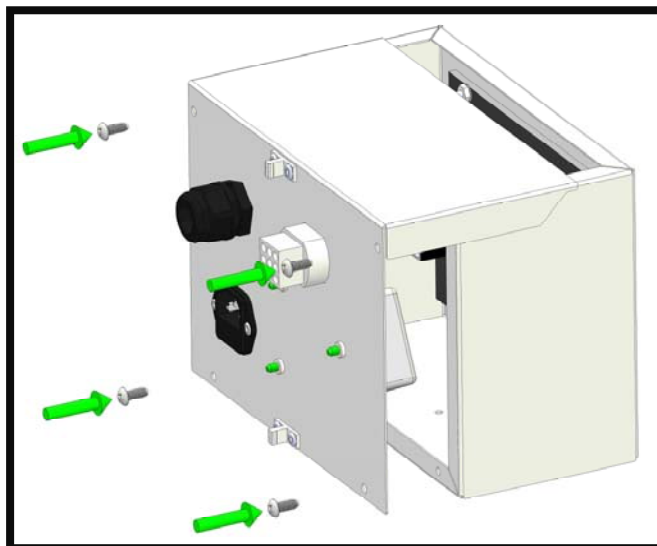
Plug the loose connectors in the Control Box Back into the controller. The large white connector goes into the large white plug. The small white connector goes into the small white plug. The Ethernet cable goes into the Ethernet plug. The white wire goes into the J2 pin, and the black wire goes into the J8 pin.



14

Close Control
Box

Re-fasten the Control Box Back to the Control Box Front with the four black screws from step 11, making sure not to pinch any wires in the process. The Control Box is now ready for installation.





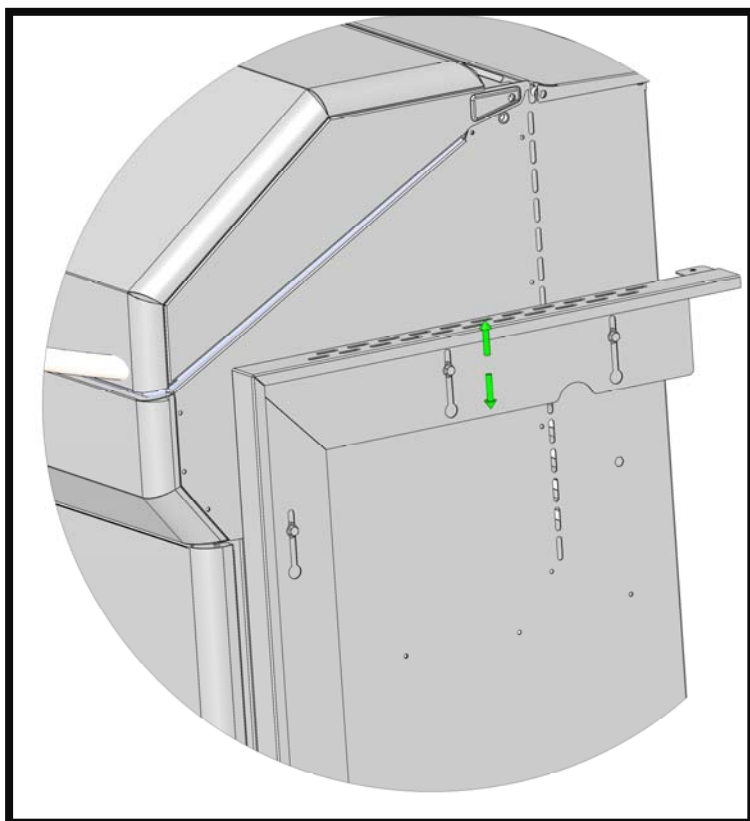
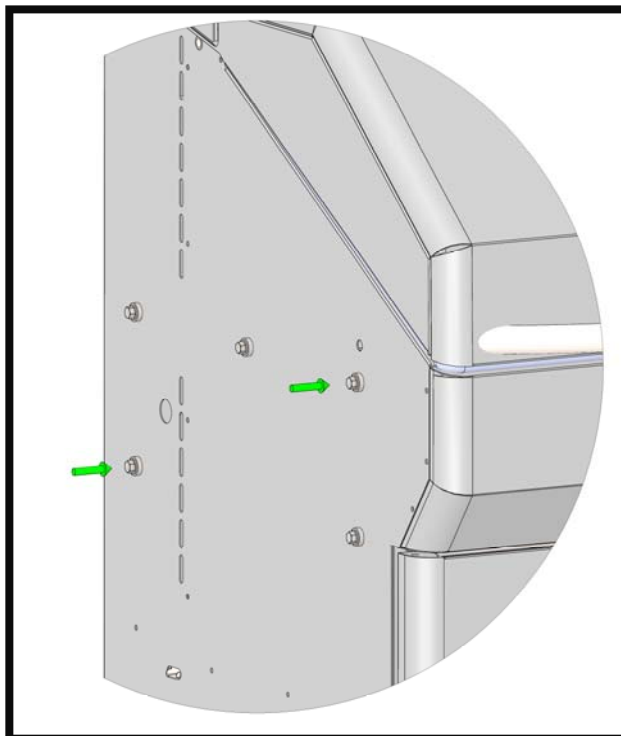
Memphis Slide-In Kit Installation

15

Remove
Unnecessary
Hardware

There are two bolts and washers on each side that will not be needed. Remove the two shown, and their counterparts on the right side of the grill. Hold onto this hardware, in case the

grill is converted back into a standard cart. Storing them in one of the side shelves might be a good idea.



The side brackets mount the same way that the side shelves do— through key-hole slots, sandwiched between the washer and the bolt-head. The elongated keyholes in the brackets allow them to be adjusted to your countertop height. The Pro can be adjusted from 34.5" to 36". The Elite can be adjusted from 35.5" to 37".

16

Attach and
Adjust Side
Brackets

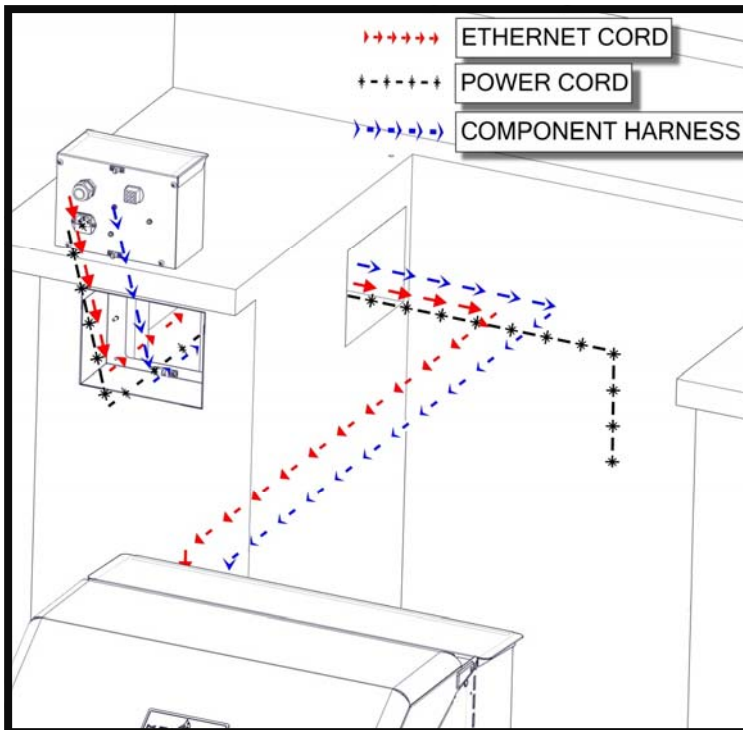
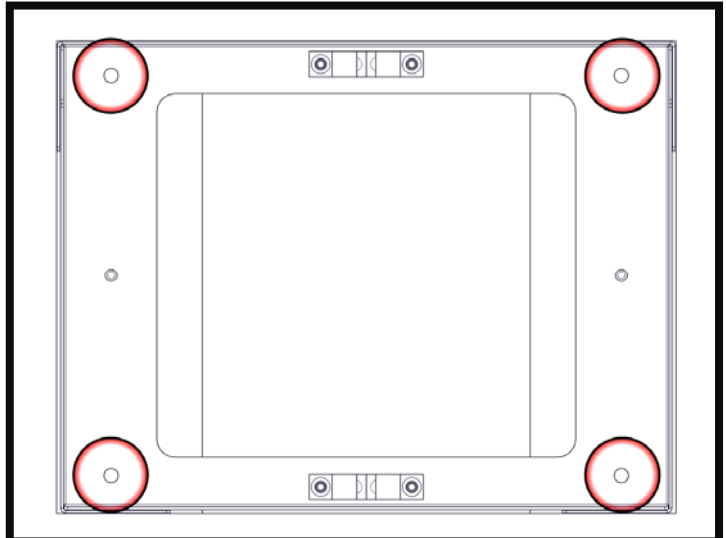
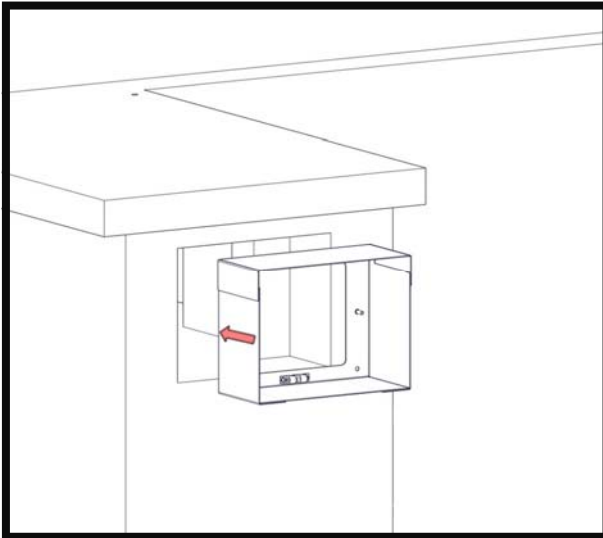


Memphis Slide-In Kit Installation

17

Place Control Box Bracket

Take the Control Box Bracket from step 11, and place it in the controller cavity of your slide-in structure. The bracket will require a minimum cavity opening of 8 1/2" Width, 6 1/2" Height, and 3 3/4" Depth. Mount the bracket using the four black screws in the hardware kit. Fasten from the inside of the box, going into the cavity, in the four locations circled. This may require drilling of pilot holes.



18

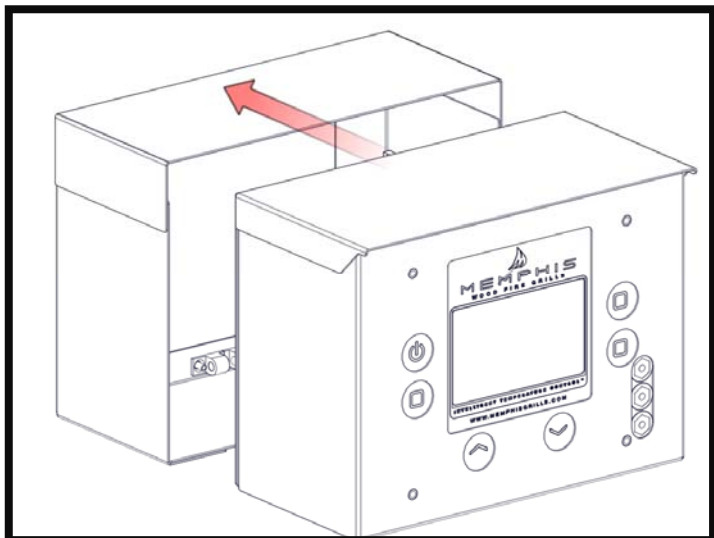
Reestablish Connections From Controller to Grill

There are three major connections to be re-established. Take the Ethernet cable coming out of the back of the control box and route it through the controller cavity into the back of the grill through the strain relief, plugging it into the WiFi card. Note that this is essentially the opposite of steps 3 and 4. Make sure to re-assemble and tighten the strain relief from step 4.

Route the controller harness (which was unplugged in step 1) through the controller cavity, and plug it into the back of the control box. Finally, plug in your grill's power cord into the back of the control box, then into a power source.



Memphis Slide-In Kit Installation



Making sure not to pinch the Ethernet, grill, or power cables, snap the control box into the mounting bracket. If your controller ever needs to be serviced, the control box can be removed by simply pulling outward.

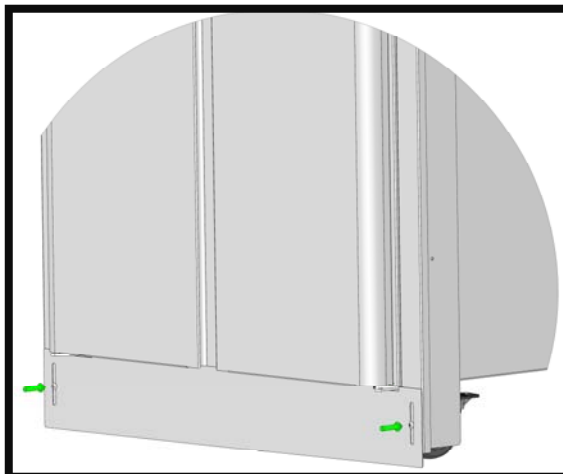
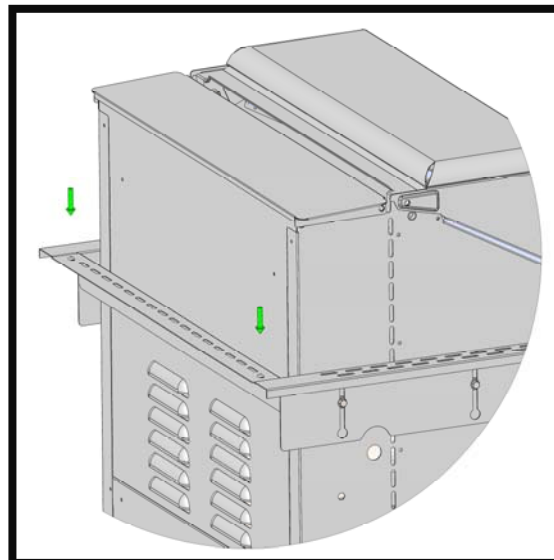
19

Snap
Control Box
Into Place

20

Install Back
Bracket &
Slide Grill Into
Place

Re-install the grill's back cover that had been removed in step 2. Using two of the stainless steel screws from the hardware kit, fasten the back L-bracket to the two side brackets, spanning between them behind the grill. In your installation, make sure that the round slots cut into this part are not blocked— they are for ventilation. Push the grill into place in the slide-in structure, making sure that the cables from the controller aren't stretched or pinched in doing so.



Once you've finished installing the controller, lock the front casters, and push them inward, so that they don't protrude from the front of the grill. Using the other two stainless screws included in the kit, fasten the bottom bracket to cover the casters. The elongated slots on this bracket are to allow for the up/down adjustment of the side brackets.

21

Install
Bottom
Bracket

MEMPHIS