



SELECT DESIRED GAS:

- PROPANE NATURAL GAS

SELECT DESIRED FINISH:

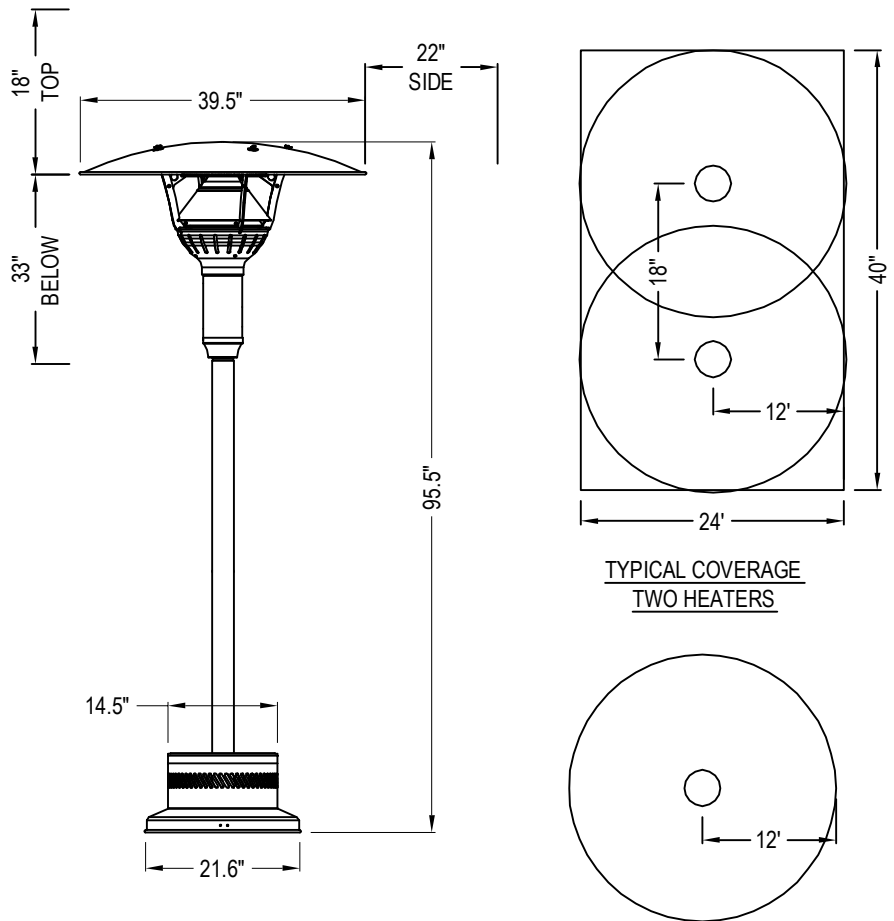
- 316 MARINE GRADE STAINLESS STEEL
 304 STAINLESS STEEL
 BLACK POWDER COAT
 CUSTOM POWDER COAT
 SPECIFY: _____

TECHNICAL SPECIFICATIONS:

- HIGH FIRE - 53,000BTU/HR
- GAS MANIFOLD PRESSURE: NG - 5.5" W.C.
- GAS SUPPLY PRESSURE: NG - 6.5" W.C. (MIN) 14.0" W.C. (MAX)
- ONE-PIECE HEAVY-DUTY REFLECTOR
- 1 x AA BATTERY POWERED IGNITION
- PILOT WITH THERMOCOUPLE
- ELECTRONIC TILT SAFETY SHUT-OFF SWITCH AT 15 DEGREES
- REGULATOR PROVIDED WITH QUICK CONNECT

WARRANTY:

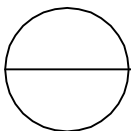
- 3 YEARS ON 316 STAINLESS STEEL EMITTER
- 1 YEAR ON ALL OTHER PARTS



FRONT ELEVATION
 MODEL: GA301- MP
 *CLEARANCES TO COMBUSTIBLES

NOTES:

1. INSTALLATION TO BE COMPLETED IN ACCORDANCE WITH MANUFACTURER'S SPECIFICATIONS.
2. DO NOT SCALE DRAWING.
3. THIS DRAWING IS INTENDED FOR USE BY ARCHITECTS, ENGINEERS, CONTRACTORS, CONSULTANTS AND DESIGN PROFESSIONALS FOR PLANNING PURPOSES ONLY. THIS DRAWING MAY NOT BE USED FOR CONSTRUCTION.
4. ALL INFORMATION CONTAINED HEREIN WAS CURRENT AT THE TIME OF DEVELOPMENT BUT MUST BE REVIEWED AND APPROVED BY THE PRODUCT MANUFACTURER TO BE CONSIDERED ACCURATE.
5. CONTRACTOR'S NOTE: FOR PRODUCT AND COMPANY INFORMATION VISIT www.CADdetails.com/info AND ENTER REFERENCE NUMBER 5029-019.



EVENGLO

EVENGLO PORTABLE SERIES: MODEL GA301MP