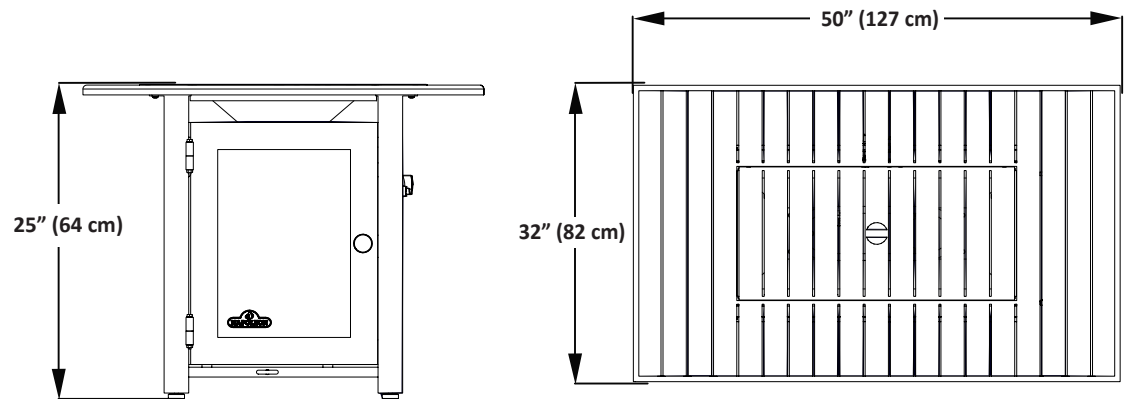


Specifications

DIMENSIONS

HAMP1



HAMP2

