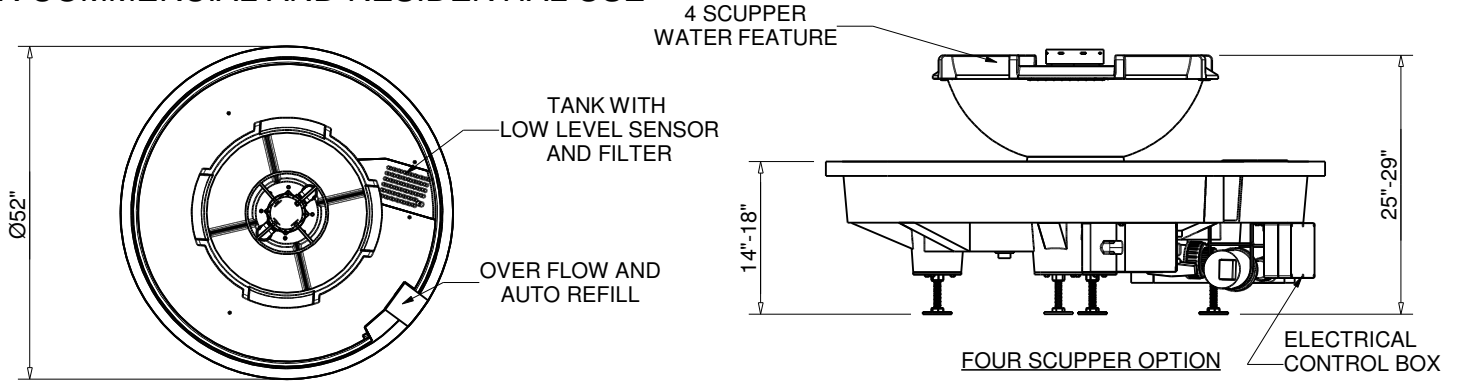


Hearth Products Controls Co
FIRE ON WATER SYSTEM
CSA CERTIFIED-OUTDOOR USE ONLY
FOR COMMERCIAL AND RESIDENTIAL USE



CONCRETE FIRE ON WATER - 4 SCUPPER

Includes Basin, 26" GFRC concrete bowl fitted with certified electronic ignition fire feature and lava rock

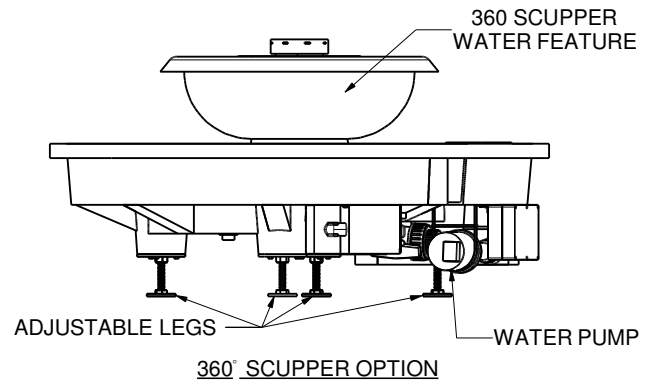
PART NUMBER	DESCRIPTION
FOW52R-MONACO4BS-EI	BURNT SIENNA BOWL - 65K BTU
FOW52R-MONACO4BL-EI	BLACK BOWL - 65K BTU

HAMMERED COPPER FIRE ON WATER - 360

Includes Basin, 26" copper bowl fitted with certified electronic ignition fire feature and lava rock

PART NUMBER	DESCRIPTION
FOW52R-CUPRUS360-EI	COPPER BOWL - 65K BTU

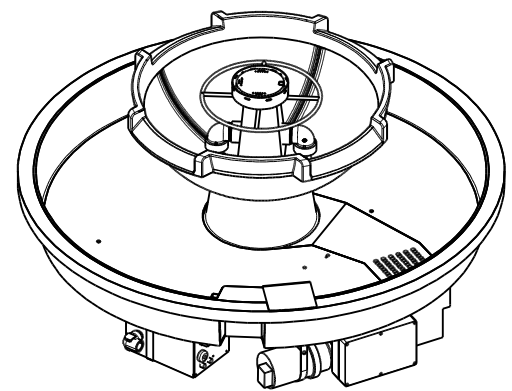
VISIT www.hpcfire.com FOR OTHER WATER FEATURE OPTIONS



360° SCUPPER OPTION

IMPORTANT: Ensure that any flex line that may be used from the permanent main fuel supply to the product is rated to the stated max btu of the product and certified to ANSI Z21.75*CSA 6.27.

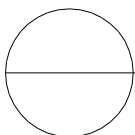
- REQUIRED VENTING
 - ENCLOSURES: Minimum required 2 each, 18 sq.in. vents on opposing sides. (Recommend 4 each, 18 sq.in. vents)
 - BOWLS (Copper, Concrete or Metal) - If applicable, bowl to be raised above mounting surface minimum of 3/4" gap. Bowl to have a minimum of 6" diameter hole in bottom
- GAS SUPPLY - FOR USE WITH FIXED PIPING SYSTEMS ONLY - NOT FOR USE WITH SMALL TANKS.
 - Natural Gas: Operating Supply Pressure: Minimum: 6.0" W.C.; Maximum: 7.0" W.C.
 - LP Gas: Operating Supply Pressure: Minimum: 10.0" W.C.; Maximum: 11.0" W.C.
- MODIFICATION OF PRODUCT WILL VOID ANY CERTIFICATION AND WARRANTY.
- FOLLOW ALL MANUFACTURER INSTALLATION INSTRUCTIONS AND LOCAL CODES.
- DO NOT SCALE. ALL DIMENSIONS ARE CONSIDERED TRUE AND REFLECT THE MANUFACTURER'S SPECIFICATIONS AS OF THE REVISION DATE.
- THESE DRAWINGS ARE FOR SIZING AND PLANNING PURPOSES ONLY. INFORMATION CONTAINED HEREIN WAS CURRENT AT THE TIME OF DEVELOPMENT. THE MANUFACTURER'S RESPONSIBLE FOR THE ACCURACY OF THE DRAWING.
- CONTRACTOR'S NOTE: FOR PRODUCT AND COMPANY INFORMATION VISIT, www.CADdetails.com/info REFERENCE NUMBER 771-049.



ISOMETRIC VIEW

FEATURES:

- LOW LEVEL PUMP PROTECTION
- AUTO REFILL
- OVERFLOW
- DRAIN
- LED LIGHTS
- ADJUSTABLE WATER FLOW
- ADJUSTABLE HEIGHT WITH LEVELING LEGS
- NEMA RATED ELECTRICAL SYSTEM
- WATER FILTER



EVOLUTION 360 - PLUG-N-PLAY WATER SYSTEM
FIRE ON WATER FEATURE