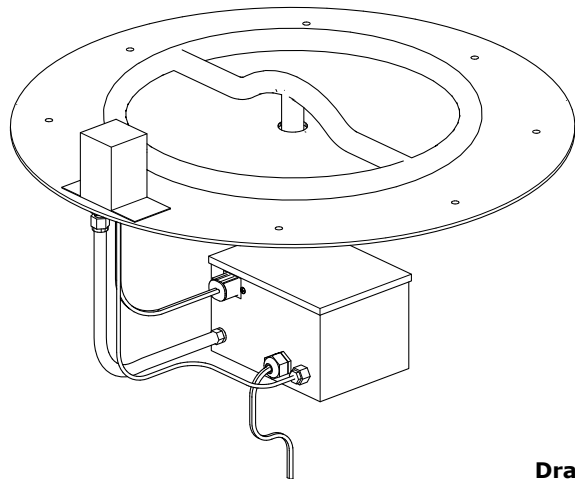
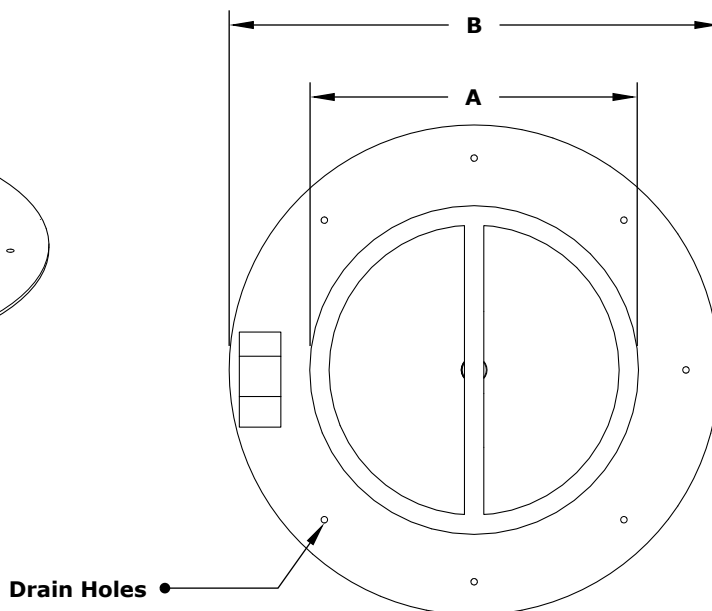


ROUND FLAT PAN & ROUND BURNERS 12V ELECTRONIC IGNITION

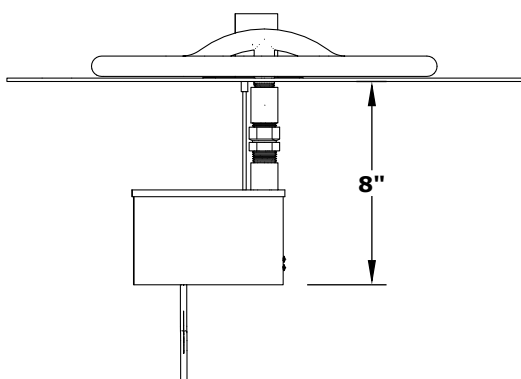


ISOMETRIC VIEW

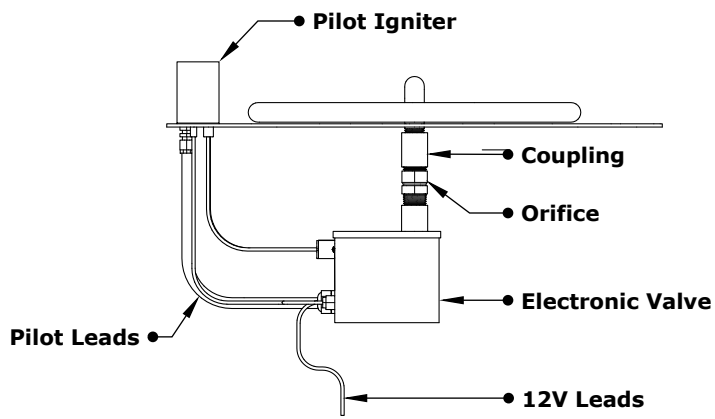


Drain Holes

TOP VIEW



RIGHT SIDE VIEW



FRONT SIDE VIEW

SKU	A	B	INLET	BTU
OPT-110012BPE12	12"	6"	1/2"	45,000
OPT-110018BPE12	18"	12"	1/2"	65,000

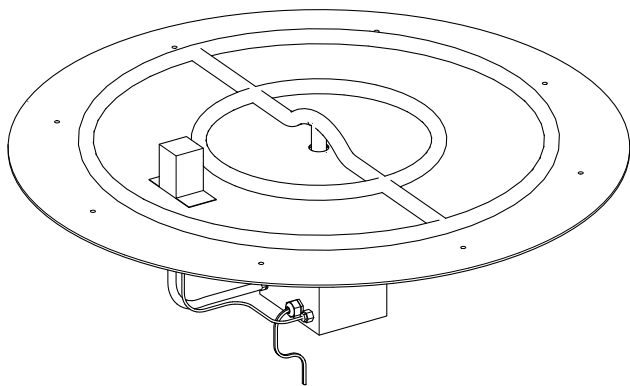
Includes: Pan, Burner, Electronic Valve, Pilot Igniter. 12V Transformer.

Pan Material: 304 Stainless Steel
Burner Material: 304 Stainless Steel
Ignition Type: 12V Electronic Ignition
(12V Transformer Included)

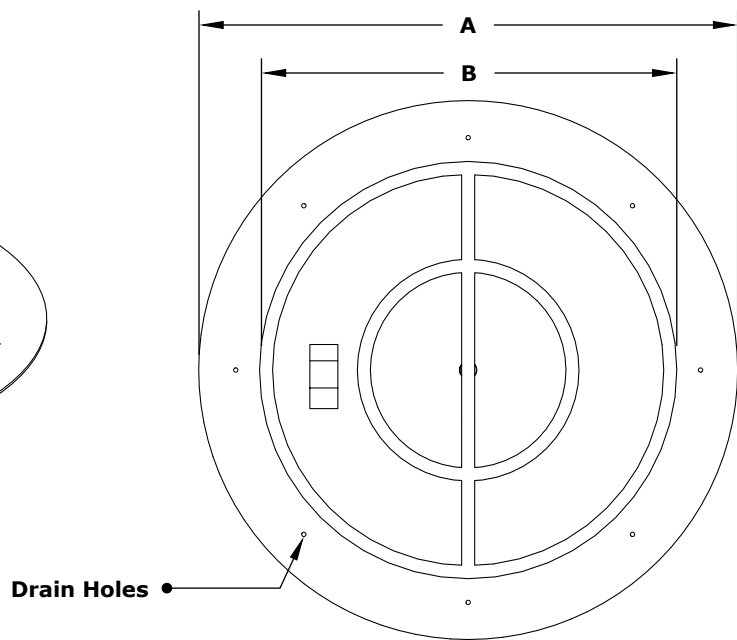
12V ELECTRONIC IGNITION
ANSI Z21.97-(2017) / CSA 2.41-(2017)



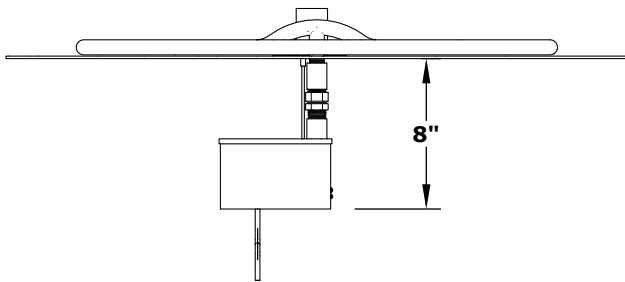
ROUND FLAT PAN & ROUND BURNERS 12V ELECTRONIC IGNITION



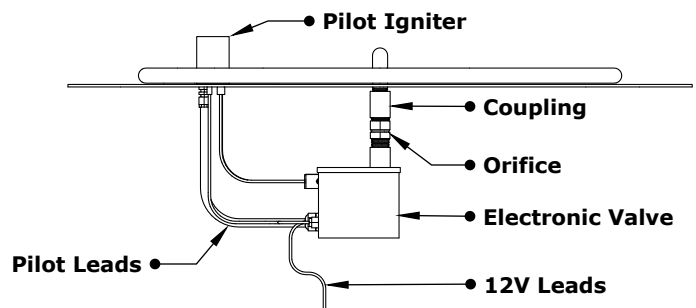
ISOMETRIC VIEW



TOP VIEW



RIGHT SIDE VIEW



FRONT SIDE VIEW

SKU	A	B	INLET	BTU
OPT-110024BPE12	24"	18"	1/2"	160,000
OPT-110030BPE12	30"	24"	1/2"	190,000

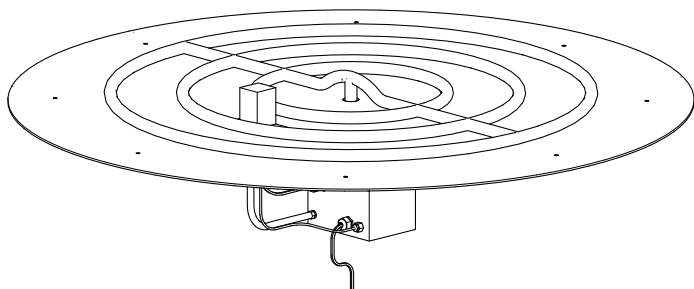
Includes: Pan, Burner, Electronic Valve, Pilot Igniter. 12V Transformer.

Pan Material: 304 Stainless Steel
Burner Material: 304 Stainless Steel
Ignition Type: 12V Electronic Ignition
(12V Transformer Included)

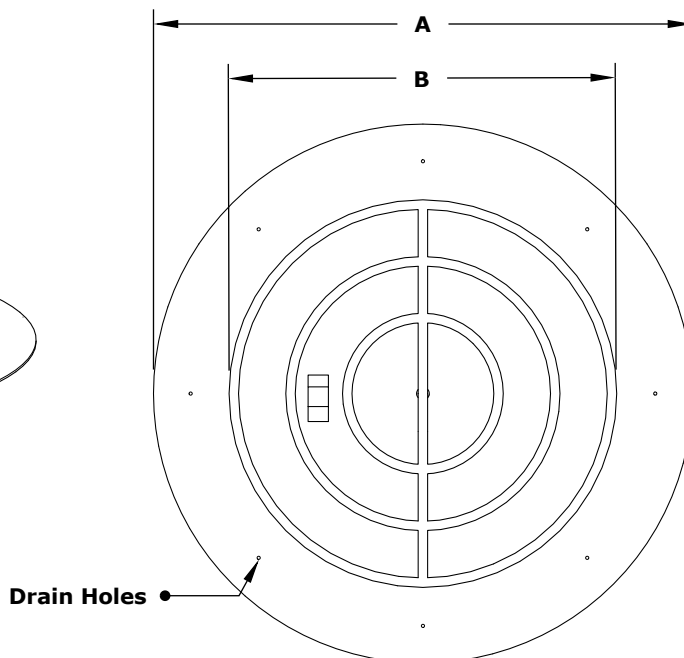
12V ELECTRONIC IGNITION
ANSI Z21.97-(2017) / CSA 2.41-(2017)



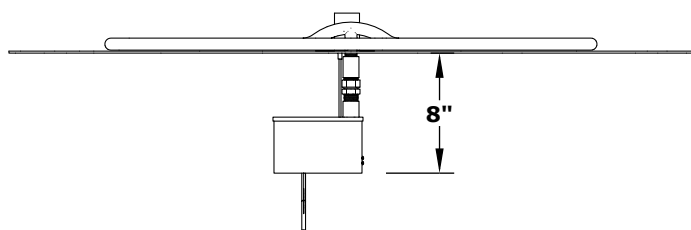
ROUND FLAT PAN & ROUND BURNERS 12V ELECTRONIC IGNITION



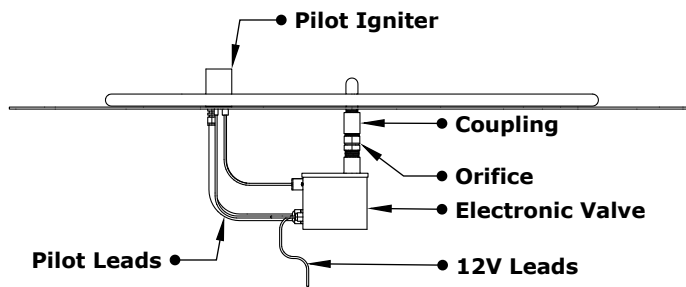
ISOMETRIC VIEW



TOP VIEW



RIGHT SIDE VIEW



FRONT SIDE VIEW

SKU	A	B	INLET	BTU
OPT-110036BPE12	36"	30"	3/4"	330,000
OPT-110042BPE12	42"	36"	3/4"	380,000
OPT-110048BPE12	48"	36"	3/4"	380,000

Includes: Pan, Burner, Electronic Valve, Pilot Igniter. 12V Transformer.

Pan Material: 304 Stainless Steel
Burner Material: 304 Stainless Steel
Ignition Type: 12V Electronic Ignition
(12V Transformer Included)

12V ELECTRONIC IGNITION
ANSI Z21.97-(2017) / CSA 2.41-(2017)

