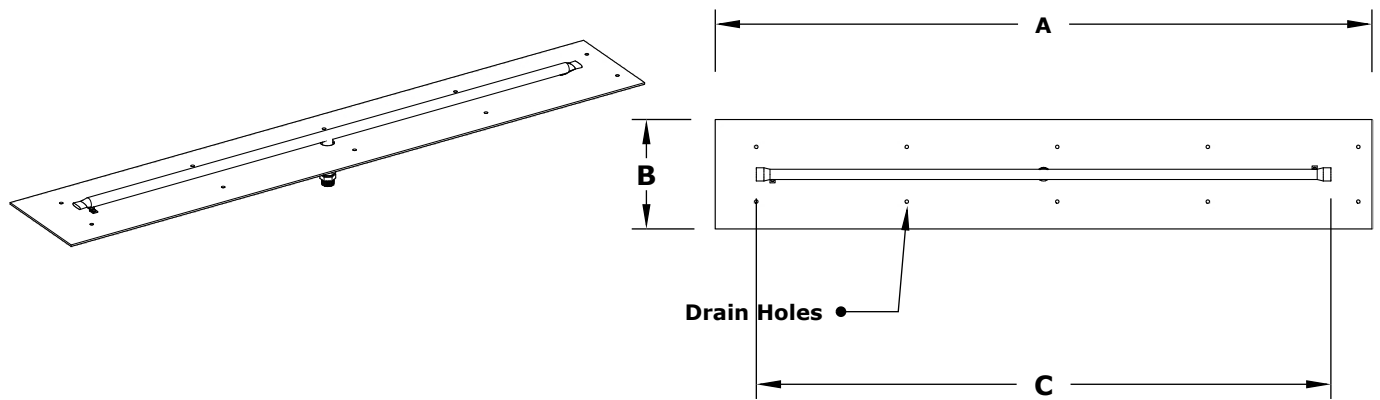
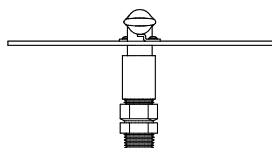


# FLAT PAN & LINEAR BURNER MATCH LIT IGNITION (6" WIDTH)

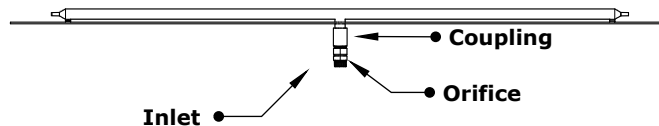


**ISOMETRIC VIEW**

**TOP VIEW**



**RIGHT SIDE VIEW**



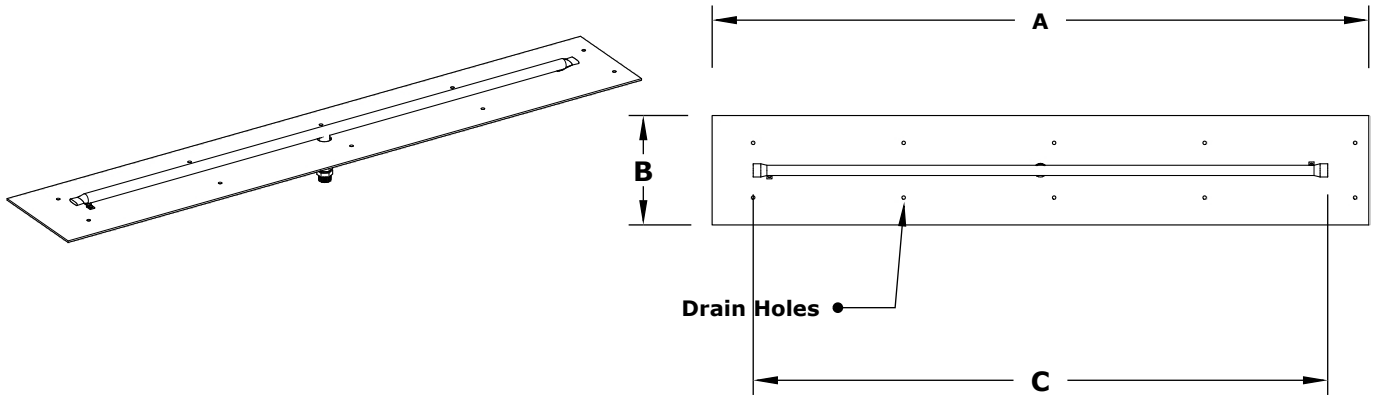
**FRONT SIDE VIEW**

SKU	A	B	C	INLET	BTU
OPT-REFS624	24"	6"	18"	1/2"	30,000
OPT-REFS630	30"	6"	24"	1/2"	40,000
OPT-REFS636	36"	6"	30"	1/2"	50,000
OPT-REFS642	42"	6"	36"	1/2"	60,000
OPT-REFS648	48"	6"	42"	1/2"	70,000
OPT-REFS660	60"	6"	48"	1/2"	80,000
OPT-REFS672	72"	6"	60"	1/2"	100,000
OPT-REFS684	84"	6"	72"	1/2"	120,000
OPT-REFS696	96"	6"	84"	3/4"	140,000

Pan Material: Aluminum  
Burner Material: Stainless Steel  
Ignition Type: Match Lit

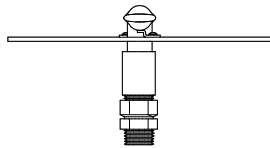
Includes: Pan, Burner, Electronic Valve.

# FLAT PAN & LINEAR BURNER MATCH LIT IGNITION (8" WIDTH)

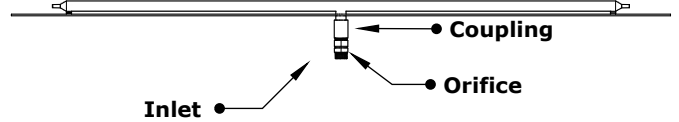


**ISOMETRIC VIEW**

**TOP VIEW**



**RIGHT SIDE VIEW**



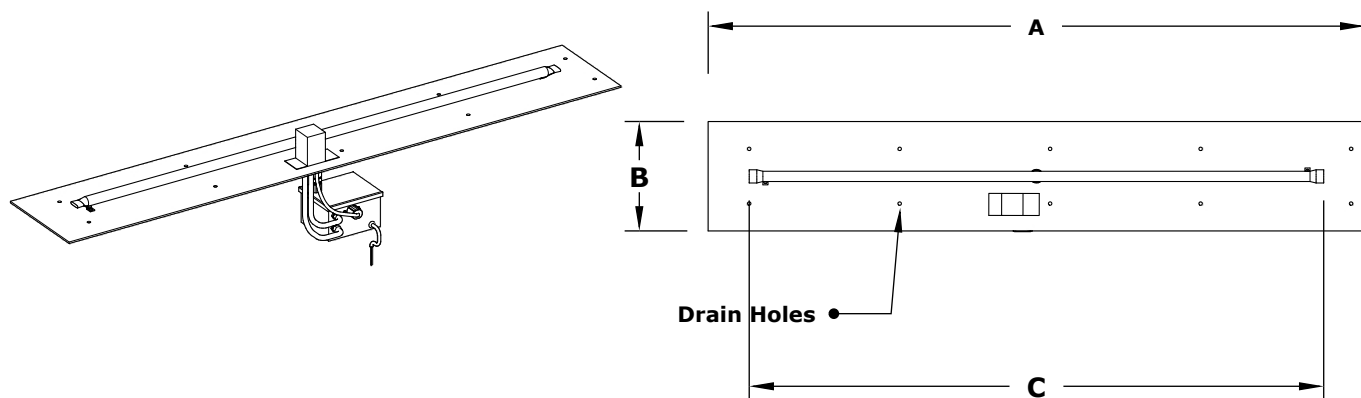
**FRONT SIDE VIEW**

SKU	A	B	C	INLET	BTU
OPT-REFS824	24"	8"	18"	1/2"	30,000
OPT-REFS830	30"	8"	24"	1/2"	40,000
OPT-REFS836	36"	8"	30"	1/2"	50,000
OPT-REFS842	42"	8"	36"	1/2"	60,000
OPT-REFS848	48"	8"	42"	1/2"	70,000
OPT-REFS860	60"	8"	48"	1/2"	80,000
OPT-REFS872	72"	8"	60"	1/2"	100,000
OPT-REFS884	84"	8"	72"	1/2"	120,000
OPT-REFS896	96"	8"	84"	3/4"	140,000

Pan Material: Aluminum  
 Burner Material: Stainless Steel  
 Ignition Type: Match Lit

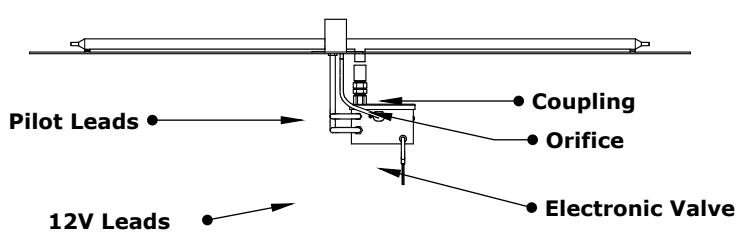
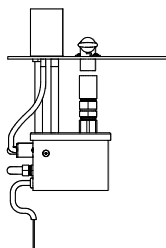
Includes: Pan, Burner, Electronic Valve.

# FLAT PAN & LINEAR BURNER 12V ELECTRONIC IGNITION (6" WIDTH)



**ISOMETRIC VIEW**

**TOP VIEW**



**RIGHT SIDE VIEW**

**FRONT SIDE VIEW**

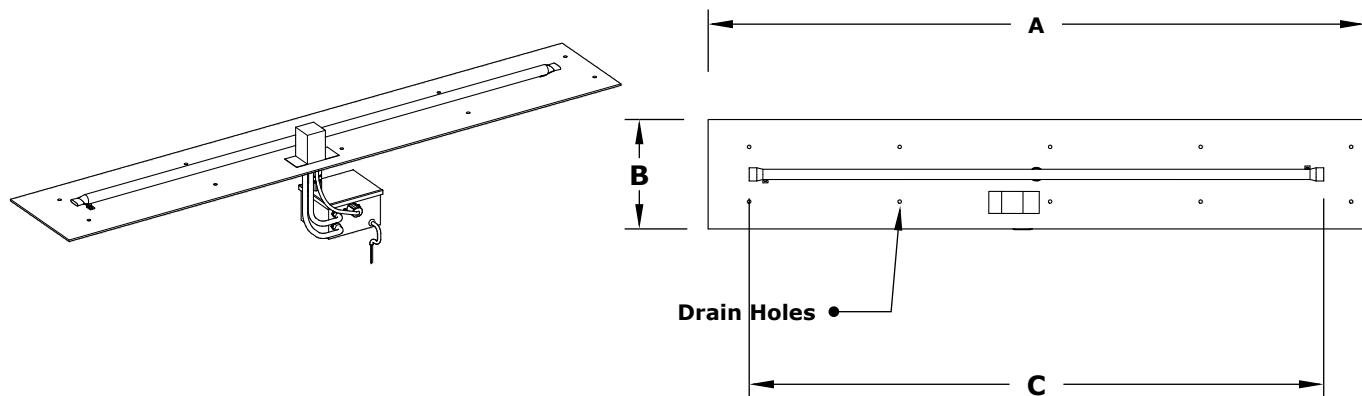
SKU	A	B	C	INLET	BTU
OPT-REFS624E12	24"	6"	18"	1/2"	30,000
OPT-REFS630E12	30"	6"	24"	1/2"	40,000
OPT-REFS636E12	36"	6"	30"	1/2"	50,000
OPT-REFS642E12	42"	6"	36"	1/2"	60,000
OPT-REFS648E12	48"	6"	42"	1/2"	70,000
OPT-REFS660E12	60"	6"	48"	1/2"	80,000
OPT-REFS672E12	72"	6"	60"	1/2"	100,000
OPT-REFS684E12	84"	6"	72"	1/2"	120,000
OPT-REFS696E12	96"	6"	84"	3/4"	140,000

Pan Material: Aluminum  
 Burner Material: Stainless Steel  
 Ignition Type: 12V Electronic Ignition  
 (12V Transformer Included)

**SP** **12V ELECTRONIC IGNITION**  
 ANSI Z21.97-(2017) / CSA 2.41-(2017)

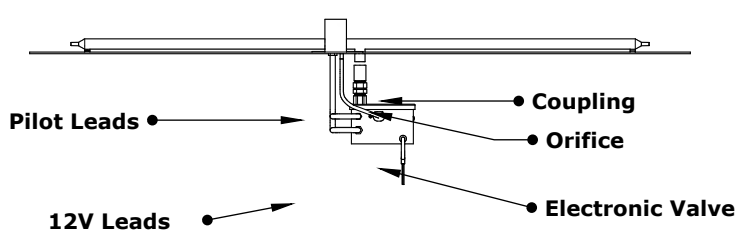
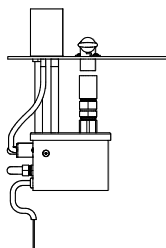
Includes: Pan, Burner, Electronic Valve,  
 Pilot Igniter, 12V Transformer.

# FLAT PAN & LINEAR BURNER 12V ELECTRONIC IGNITION (8" WIDTH)



**ISOMETRIC VIEW**

**TOP VIEW**



**RIGHT SIDE VIEW**

**FRONT SIDE VIEW**

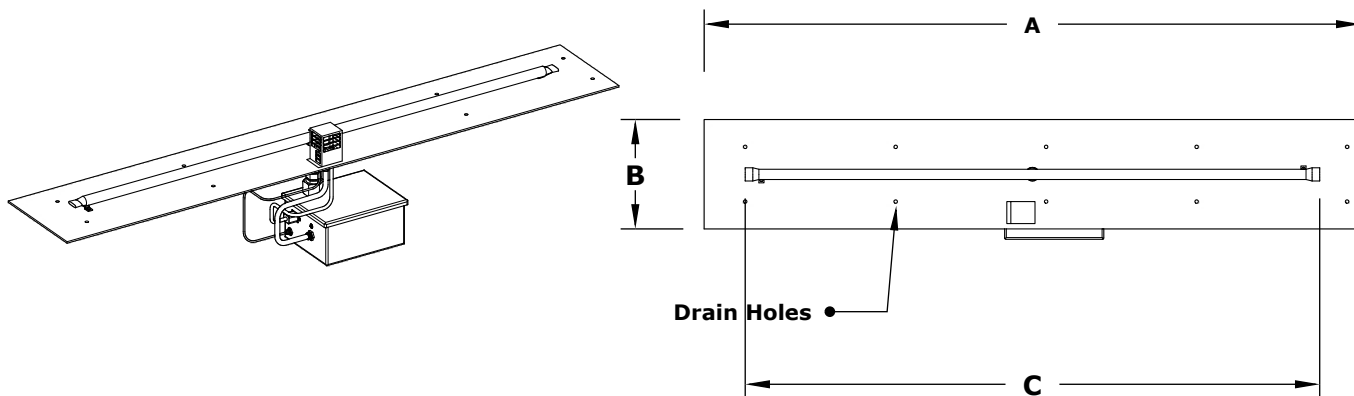
SKU	A	B	C	INLET	BTU
OPT-REFS824E12	24"	8"	18"	1/2"	30,000
OPT-REFS830E12	30"	8"	24"	1/2"	40,000
OPT-REFS836E12	36"	8"	30"	1/2"	50,000
OPT-REFS842E12	42"	8"	36"	1/2"	60,000
OPT-REFS848E12	48"	8"	42"	1/2"	70,000
OPT-REFS860E12	60"	8"	48"	1/2"	80,000
OPT-REFS872E12	72"	8"	60"	1/2"	100,000
OPT-REFS884E12	84"	8"	72"	1/2"	120,000
OPT-REFS896E12	96"	8"	84"	3/4"	140,000

Pan Material: Aluminum  
 Burner Material: Stainless Steel  
 Ignition Type: 12V Electronic Ignition  
 (12V Transformer Included)

**SP** **12V ELECTRONIC IGNITION**  
 ANSI Z21.97-(2017) / CSA 2.41-(2017)

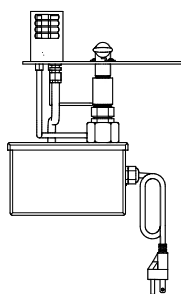
Includes: Pan, Burner, Electronic Valve,  
 Pilot Igniter, 12V Transformer.

# FLAT PAN & LINEAR BURNER 110V ELECTRONIC IGNITION (6" WIDTH)

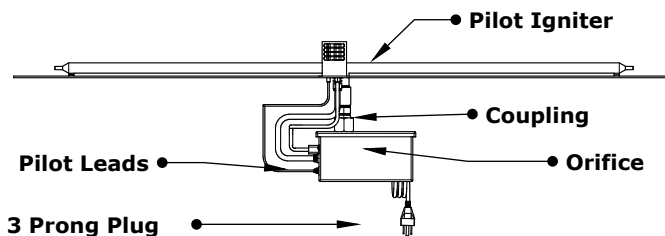


**ISOMETRIC VIEW**

**TOP VIEW**



**RIGHT SIDE VIEW**



**FRONT SIDE VIEW**

SKU	A	B	C	INLET	BTU
OPT-REFS624E110	24"	6"	18"	1/2"	30,000
OPT-REFS630E110	30"	6"	24"	1/2"	40,000
OPT-REFS636E110	36"	6"	30"	1/2"	50,000
OPT-REFS642E110	42"	6"	36"	1/2"	60,000
OPT-REFS648E110	48"	6"	42"	1/2"	70,000
OPT-REFS660E110	60"	6"	48"	1/2"	80,000
OPT-REFS672E110	72"	6"	60"	1/2"	100,000
OPT-REFS684E110	84"	6"	72"	1/2"	120,000
OPT-REFS696E110	96"	6"	84"	3/4"	140,000

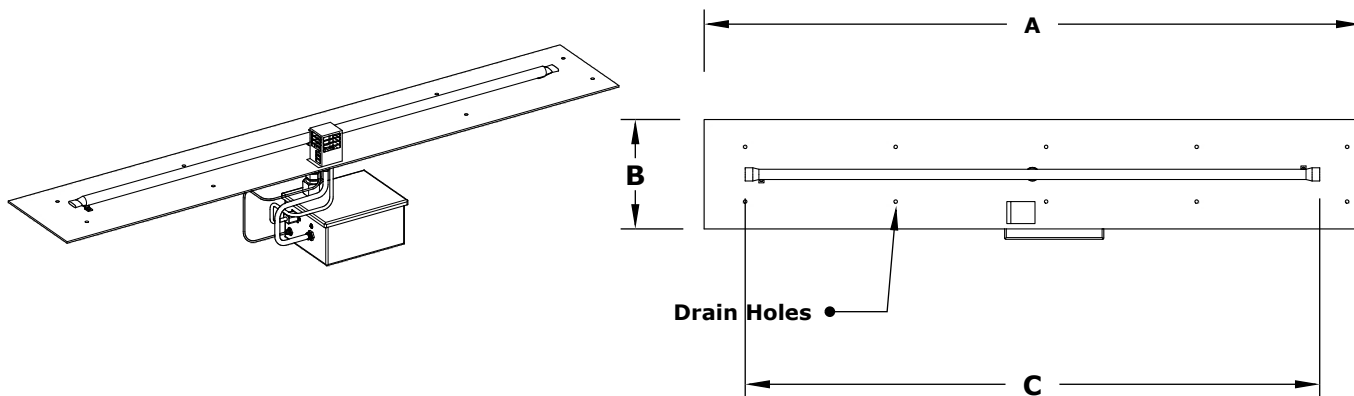
Pan Material: Aluminum  
 Burner Material: Stainless Steel  
 Ignition Type: 110V Electronic Ignition  
 (110V Transformer Included)



**110V ELECTRONIC IGNITION**  
 ANSI Z21.97-(2017) / CSA 2.41-(2017)

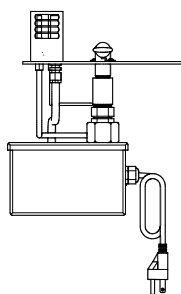
Includes: Pan, Burner, Electronic Valve,  
 Pilot Igniter, 110V Transformer.

# FLAT PAN & LINEAR BURNER 110V ELECTRONIC IGNITION (8" WIDTH)

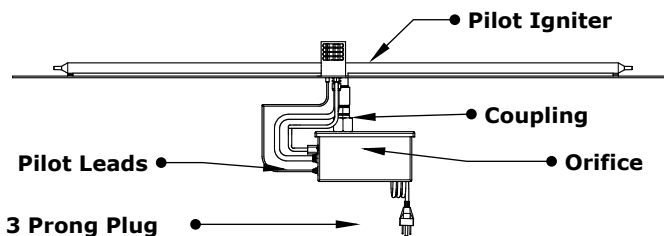


**ISOMETRIC VIEW**

**TOP VIEW**



**RIGHT SIDE VIEW**



**FRONT SIDE VIEW**

SKU	A	B	C	INLET	BTU
OPT-REFS824E110	24"	8"	18"	1/2"	30,000
OPT-REFS830E110	30"	8"	24"	1/2"	40,000
OPT-REFS836E110	36"	8"	30"	1/2"	50,000
OPT-REFS842E110	42"	8"	36"	1/2"	60,000
OPT-REFS848E110	48"	8"	42"	1/2"	70,000
OPT-REFS860E110	60"	8"	48"	1/2"	80,000
OPT-REFS872E110	72"	8"	60"	1/2"	100,000
OPT-REFS884E110	84"	8"	72"	1/2"	120,000
OPT-REFS896E110	96"	8"	84"	3/4"	140,000

Pan Material: Aluminum  
 Burner Material: Stainless Steel  
 Ignition Type: 110V Electronic Ignition  
 (110V Transformer Included)

**SP** **110V ELECTRONIC IGNITION**  
 ANSI Z21.97-(2017) / CSA 2.41-(2017)

Includes: Pan, Burner, Electronic Valve,  
 Pilot Igniter, 110V Transformer.