



# BAR CADDY Slide-in

Model # 1D-S0



**INSTALLER:** Leave these instructions with consumer.  
**CONSUMER:** Retain for future reference.

**IMPORTANT:** READ THESE INSTRUCTIONS CAREFULLY BEFORE STARTING INSTALLATION OR USE.

Item	Description	Part No.	Qty.
1.	Drawer	1D-S-05	1
2.	Splash pan 21"x 13"x 6"	1D-S-09	1
3.	Cover	1D-S-06	1
4.	Condiment/bottle holder (with cap)	1D-S-03	2
5.	Condiment/bottle holder cap	1D-S-08	2
6.	Insulation *	1D-S-04	5
7.	Face	1D-S-10	1

\* Not shown

### WARNING

Improper installation, adjustment, alteration, service or maintenance can cause injury or property damage. Refer to this manual. For assistance or additional information consult a qualified, professional installer or service agency.

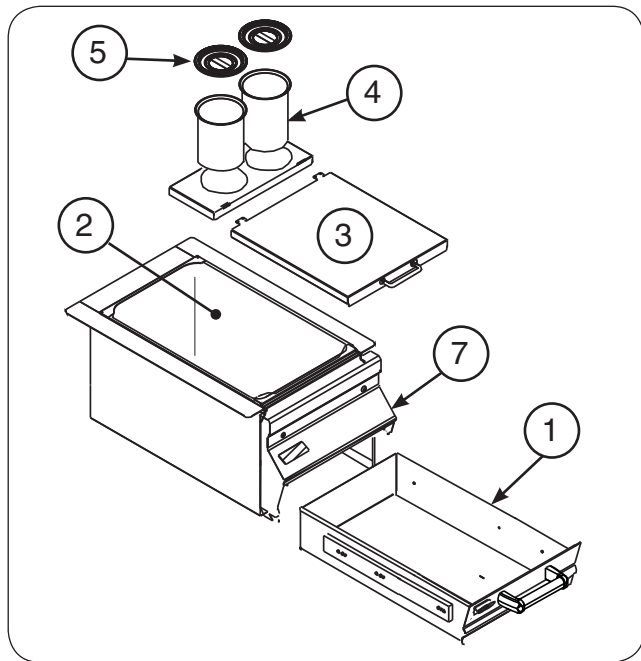


Fig. 1-1 Parts list detail

### INSTALLATION AND USE

1. Before installation, ensure the opening dimensions are correct (see Fig. 1-2). Then simply slide the bar caddy assembly into place in the cut-out area.

**Note:** A stainless steel trim kit that finishes the front cut out is available for purchase (model # 3807).

2. Place the 5 pieces of insulation inside the caddy, on the bottom and against the sides.
3. Place the splash pan inside the caddy, and put the caddy top and cover in place.
4. Insert the holder pans and their lids.
5. Fill the splash pan with ice, or use as desired.

**TO USE AS A FOOD WARMER, SEE REVERSE.**

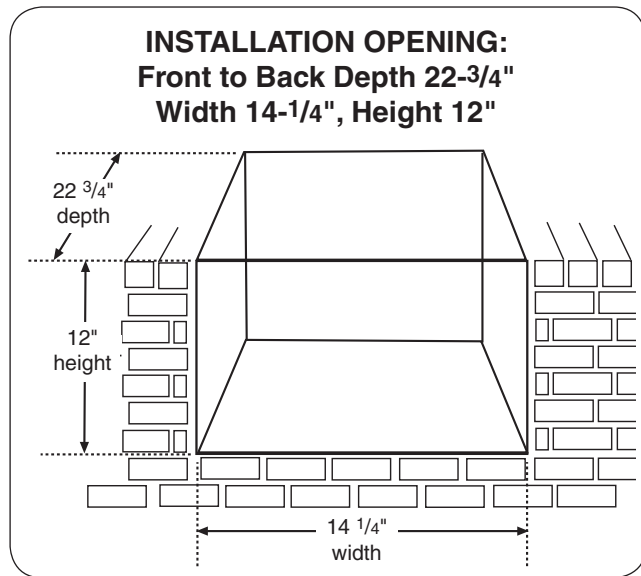


Fig. 1-2 Cut out diagram

## OPTIONAL BAR CADDY HEATER ACCESSORY (Model # 3565)

To install and operate, follow these simple steps:

1. Where installed, remove the bar caddy cover, the bar caddy top, condiment/bottle holder pans, their caps, and splash pan. See Fig. 1-1 on the reverse side of this sheet.
2. Remove the insulation from inside the bar caddy. Then replace the splash pan.
3. Fill the splash pan with approximately 2"-3" warm water (see Fig. 2-2, A).
4. Gently place both steamer pans into the splash pan (see Fig. 2-2, B).
5. Fit can support into the slots in the drawer (see Fig. 2-2, C). **Ensure it is secure.**
6. Removing the lids, place the two supplied chafing dish fuel cans into the can support (see Fig. 2-2, D).
7. Light each dish and close the drawer.

**Important:** Do not burn CHAFING DISH FUEL with drawer open.

8. Place desired food to be warmed in the steamer pans and place the lids (see Fig. 2-2, B).

**CAUTION:** The water in the splash pan will get hot and is a scald and burn hazard.

**Do not attempt to empty it until it is cooled.**

**TO EXTINGUISH** the chafing dish flame, open drawer and carefully replace fuel lid; flames will go out.

**Note:** For any subsequent uses, always read and follow safety warnings and lighting instructions supplied with the fuel.

### CAUTION: BURN HAZARD

During and immediately after use, the chafing dishes will be hot. Do not handle until cool.

**Important:** DO NOT LEAVE CHAFING DISHES BURNING UNATTENDED.

Do not leave children unattended around the bar caddy during and immediately after use.

To reuse as a drink and condiment cooler, remove the can support from the drawer and remove the steamer pans and lids from the splash pan. Remove the splash pan. Replace the insulation, splash pan, caddy top, cover, and condiment/bottle holders.

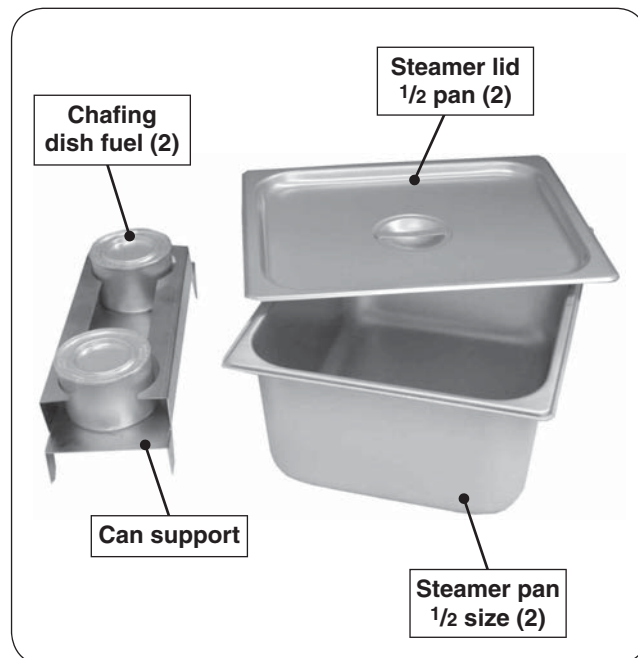


Fig. 2-1 Bar caddy heater accessory parts

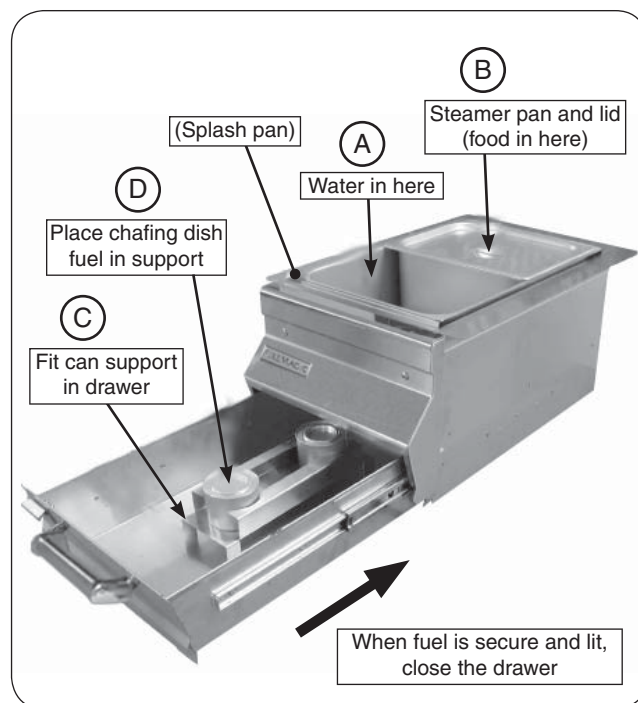


Fig. 2-2 Optional heater accessory