











 **WARNING**

- **Keep away from the unit for the first 20 minutes after igniting your unit for the first time, as fire glass / pumice stones could pop out and cause injury. Should any fire glass pop out, after they cool, please discard them.**
- **Always ensure that fire glass / pumice stones are completely dry before use. Failure to do so will cause them to crack or pop.**



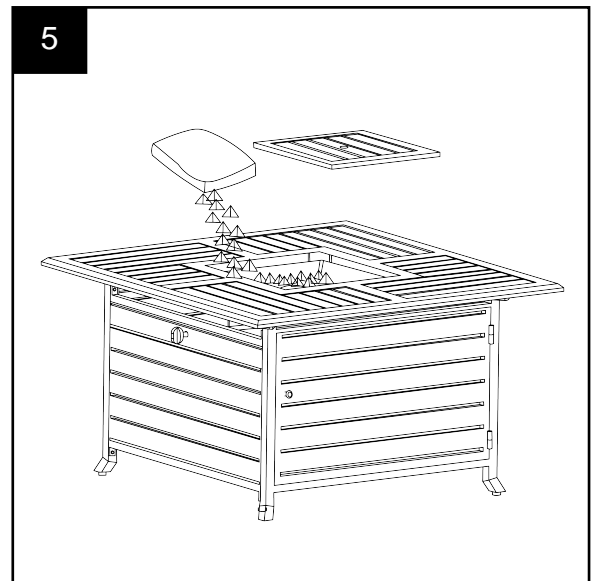




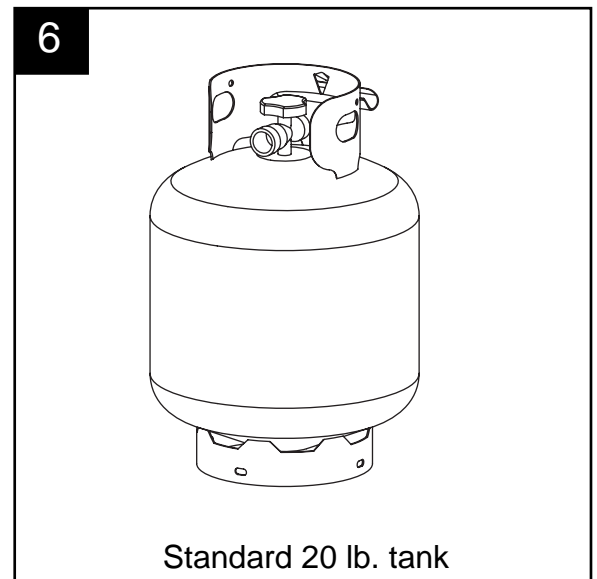


## ASSEMBLY INSTRUCTIONS

5. Put the Glass Beads (Q) around the Burner (C).  
Put the Burner Cover (A) on the burner,  
when the Fire Pit is NOT in use or after use.



6. Connect hose and regulator to cylinder.  
The propane gas and cylinder are sold separately. Use a standard 20 lb. propane cylinder only. Use this heater only with a propane vapor withdrawal supply system. See chapter 5 of the standard for storage and handling of liquefied petroleum gas, ANSI/NFPA 58. Your local library or fire department should have this book. Storage of an appliance indoors is permissible only if the cylinder is disconnected and removed from the appliance. A cylinder must be stored outdoors in a well-ventilated area out of the reach of children. A disconnected cylinder must have dust caps tightly installed and must not be stored in a building, garage or any other enclosed area. The maximum inlet gas supply pressure: 250 psi. The minimum inlet gas supply pressure: 5 psi.  
The minimum hourly of 10000 Btu is the required input rating for a heater for automatic operation at ratings less than full input rating.  
The pressure regulator and hose assembly supplied with the appliance must be used.  
The installation must conform with local codes, or in the absence of local codes, with national fuel gas code, ANSI Z223.1/NFPA54, natural gas and propane.  
Installation Code, CSA B149.1, or propane storage and handling code, B149.2.



Standard 20 lb. tank

## ASSEMBLY INSTRUCTIONS

Adented, rusted or damaged propane cylinder may be hazardous and should be checked by your cylinder supplier. Never use a propane cylinder with a damaged valve connection.

The propane cylinder must be constructed and marked in accordance with the specifications for LP gas cylinder of the U.S. Department of Transportation (DOT) or the standard for cylinders, spheres and tubes for transportation of dangerous goods and commission, CAN/CSA-B339.

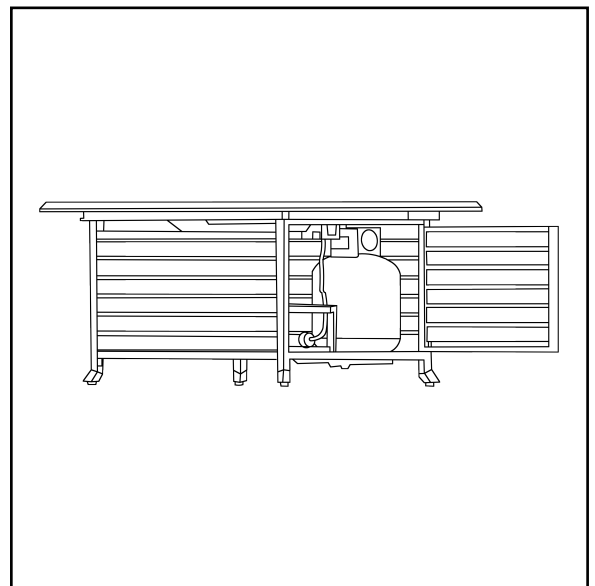
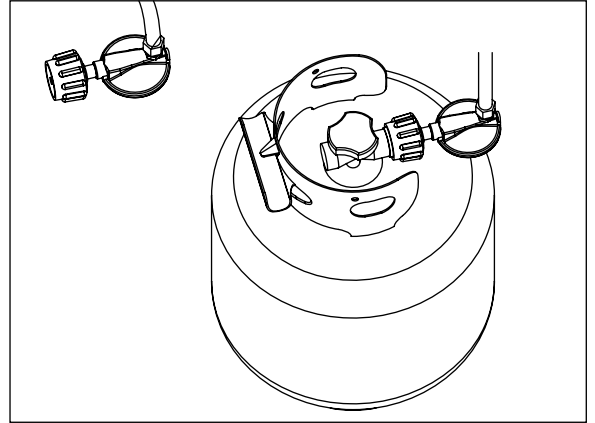
The cylinder must have a listed over filling prevention device.

The cylinder must have a connection device compatible with the connection for the appliance.

The cylinder used must include a collar to protect the cylinder valve.

Never connect an unregulated propane cylinder to the heater.

Attach regulator to cylinder. Complete attachment. Install cylinder.



- Do not store a spare LP-gas cylinder under or near this appliance;
- Never fill the cylinder beyond 80 percent full;
- Place the dust cap on the cylinder valve outlet whenever the cylinder is not in use. Only install the type of dust cap on the cylinder valve that is provided with the cylinder valve. Other type of caps or plugs may result in leakage of propane.

**ATTENTION:** THIS PRODUCT IS NOT FOR COMMERCIAL USE INTENDED FOR RESIDENTIAL USE ONLY.

***Do not sit or stand on this table .***

***Keep children away during assembly. This item contains small parts which can be swallowed by children.***

***Do not use indoors and inside any enclosure.***

***Retain the assembly instructions for future reference.***

***Installer - Please leave these instructions with the owner.***

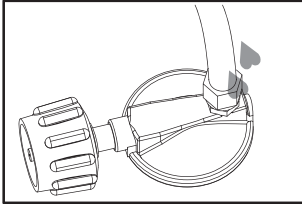
## OPERATION INSTRUCTIONS

---

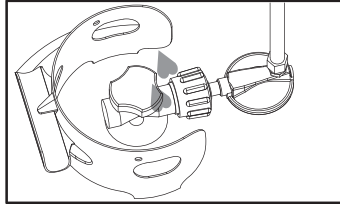
### Leak Check

#### **WARNING**

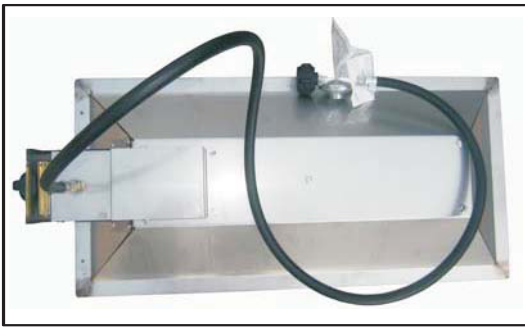
Perform all leak tests outdoors.  
Extinguish all open flames.  
NEVER leak test when smoking.  
Do not use the fire pit until all connections have been leak tested and do not leak.



Hose / Regulator  
Connection



Regulator / Cylinder  
Connection



2. Apply several drops of solution where hose attaches to regulator.
3. Apply several drops of solution where regulator connects to cylinder.
4. Make sure all fire pit and light valves are OFF.
5. Turn cylinder valve ON.

If bubbles appear at any connection, there is a leak.

1. Turn cylinder valve OFF.
  2. If leak is at hose/regulator connection: tighten connection and perform another leak test. If bubbles continue appearing, the hose should be returned to the place of purchase.
  3. If leak is at regulator/cylinder valve connection: disconnect, reconnect, and perform another leak check. If you continue to see bubbles after several attempts, cylinder valve is defective and should be returned to cylinder place of purchase.
- If NO bubbles appear at any connection, the connections are secure.

**NOTE:** Whenever gas connections are loosened or removed, you must perform a complete leak test. Complete installation.

## OPERATION INSTRUCTIONS

### DANGER

- CARBON MONOXIDE HAZARD
- For outdoor use only. Never use inside house, or other unventilated or enclosed areas. This fire pit consumes air (oxygen). Do not use in unventilated or enclosed areas to avoid endangering your life.

### WARNING

Very hot while in operation!  
Never lean over the fire pit while in use.  
Failure to comply with these instructions may result in serious bodily injury.

**Caution:** Do not attempt to operate until you have read and understand all General Safety Information in this manual and all assembly is complete and leak checks have been performed.

#### Before Turning Gas Supply ON:

1. Your fire pit was designed and approved for outdoor use only. Do NOT use it inside a building, garage, or any other enclosed area.
2. Make sure surrounding areas are free of combustible materials, gasoline, and other flammable vapors or liquids.
3. Ensure that there is no obstruction to air ventilation. Be sure all gas connections are tight and there are no leaks.
4. Be sure the cylinder cover is clear of debris. Be sure any component removed during assembly or servicing is replaced and fastened prior to starting.

#### Before Lighting:

1. Fire pit should be thoroughly inspected before each use, and by a qualified service person at least annually. If relighting a hot fire pit, always wait at least 5 minutes.
2. Inspect the hose assembly for evidence of excessive abrasion, cuts, or wear. Suspected areas should be leak tested. If the hose leaks, it must be replaced prior to operation. Only use the replacement hose assembly specified by manufacturer. The burner must be replaced prior to the appliance being put into operation if it is evident that the burner is damaged. The replacement burner should be specified by manufacturer.

#### Lighting:

- 1) Turn the control knob to the "OFF" position (Figure a).
- 2) Fully open LP cylinder valve.

**Note:** For initial start or after any cylinder change, hold Control Knob IN for 2 minutes to purge air from gas lines before proceeding.

- 3) Push in gas control knob and turn counterclockwise to "IGNITE" (Figure b) to light the fire pit. If needed, keep depressing and turning control knob counterclockwise until the heater lights (You should hear a clicking sound).
- 4) After fire pit lights, release control knob. Push in and turn the control knob to the "HIGH", then release control knob. If you want a lower temperature, push in the control knob and turn counterclockwise to the "LOW" (Figure c).

**Note:** If burner fails to remain lit, all valves should be closed and a waiting period of at least 5 minutes should pass before attempting to light.

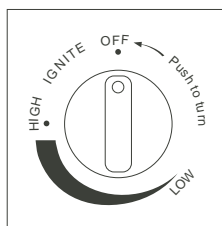


Figure a

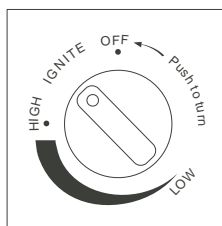


Figure b

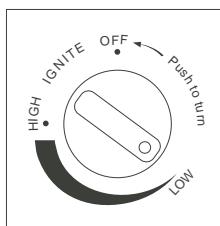
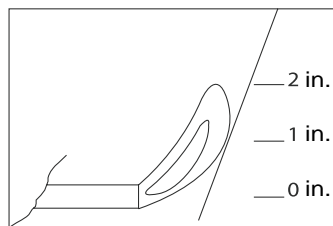
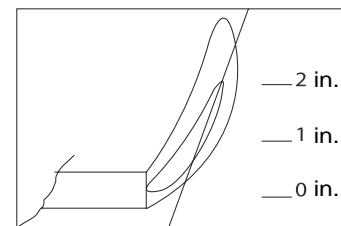


Figure c



Normal



Abnormal

## OPERATION INSTRUCTIONS

---

### WARNING

#### FOR YOUR SAFETY

Be careful when attempting to manually ignite this fire pit. Holding in the control knob for more than 10 seconds before igniting the gas will cause a ball of flame upon ignition.

#### When fire pit is ON:

Burner will display tongues of blue and yellow flame. These flames should not be yellow or produce thick black smoke, which would indicate an obstruction of airflow through the burners. The flame should be blue with straight yellow tops. If excessive yellow flame is detected, turn off heater and consult "Troubleshooting" on page 16.

#### Re-lighting:

1. Turn control knob to OFF.
2. Repeat the "Lighting" steps on prior page.

### WARNING

#### FOR YOUR SAFETY

Fire pit will be hot after use. Handle with extreme care.

#### Shut Down:

1. To extinguish burner depress control knob and continue to turn it clockwise to OFF.
2. Turn cylinder valve clockwise to OFF and disconnect regulator when heater is not in use.

## CARE AND MAINTENANCE

---

### WARNING

#### FOR YOUR SAFETY:

Do NOT touch or move fire pit for at least 45 minutes after use.

Burner is hot to the touch.

Allow burner to cool before touching.

To enjoy years of outstanding performance from your fire pit, make sure you perform the following maintenance activities on a regular basis:

Keep exterior surfaces clean.

1. Use warm soapy water for cleaning. Never use flammable or corrosive cleaning agents.
2. While cleaning your unit, be sure to keep the area around the burner dry at all times. Do not submerge the control valve assembly. If the gas control is submerged in water, do NOT use it. It must be replaced.
  - a. Keep the appliance area clear and free from combustible materials, gasoline and other flammable vapors and liquids.
  - b. Do not obstruct the flow of combustion and ventilation air.
  - c. Keep the ventilation opening(s) of the cylinder enclosure free and clear from debris.
3. Air flow must be unobstructed. Keep controls, burner, and circulating air passageways clean. Signs of possible blockage include:

## CARE AND MAINTENANCE

---

- Gas odor with extreme yellow tipping of flame.
- Fire pit does NOT reach the desired temperature.
- Fire pit glow is excessively uneven.
- Fire pit makes popping noises.
- Spiders and insects can nest in burner or orifices. This dangerous condition can damage fire pit and render it unsafe for use. Clean burner holes by using a heavy-duty pipe cleaner. Compressed air may help clear away smaller particles.
- Carbon deposits may create a fire hazard. Clean burner with warm soapy water if any carbon deposits develop.

**Note:** In a salt-air environment (such as near an ocean), corrosion occurs more quickly than normal. Frequently check for corroded areas and repair them promptly.

**TIP:**

Use high-quality automobile wax to help maintain the appearance of your fire pit. Apply to exterior surfaces only. Do not apply to burner.

### Storage

Between uses:

- Turn Control Knob OFF.
  - Disconnect LP source.
  - Store fire pit upright in an area sheltered from direct contact with inclement weather (such as rain, sleet, hail, snow, dust and debris).
  - If desired, cover fire pit to protect exterior surfaces and to help prevent build-up in air passages.
- Note:** Wait until fire pit is cool before covering.

### During periods of extended inactivity or when transporting:

- Turn Control Knob OFF.
  - Disconnect LP source and move to a secure, well-ventilated location outdoors.
  - Store fire pit upright in an area sheltered from direct contact with inclement weather (such as rain, sleet, hail, snow, dust and debris).
  - If desired, cover fire pit to protect exterior surfaces and to help prevent build-up in air passages.
- Never leave LP cylinder exposed to direct sunlight or excessive heat.
- Note:** Wait until fire pit is cool before covering.

### Service

Only a qualified service person should repair gas passages and associated components.

**Caution:** Always allow fire pit to cool before attempting service.

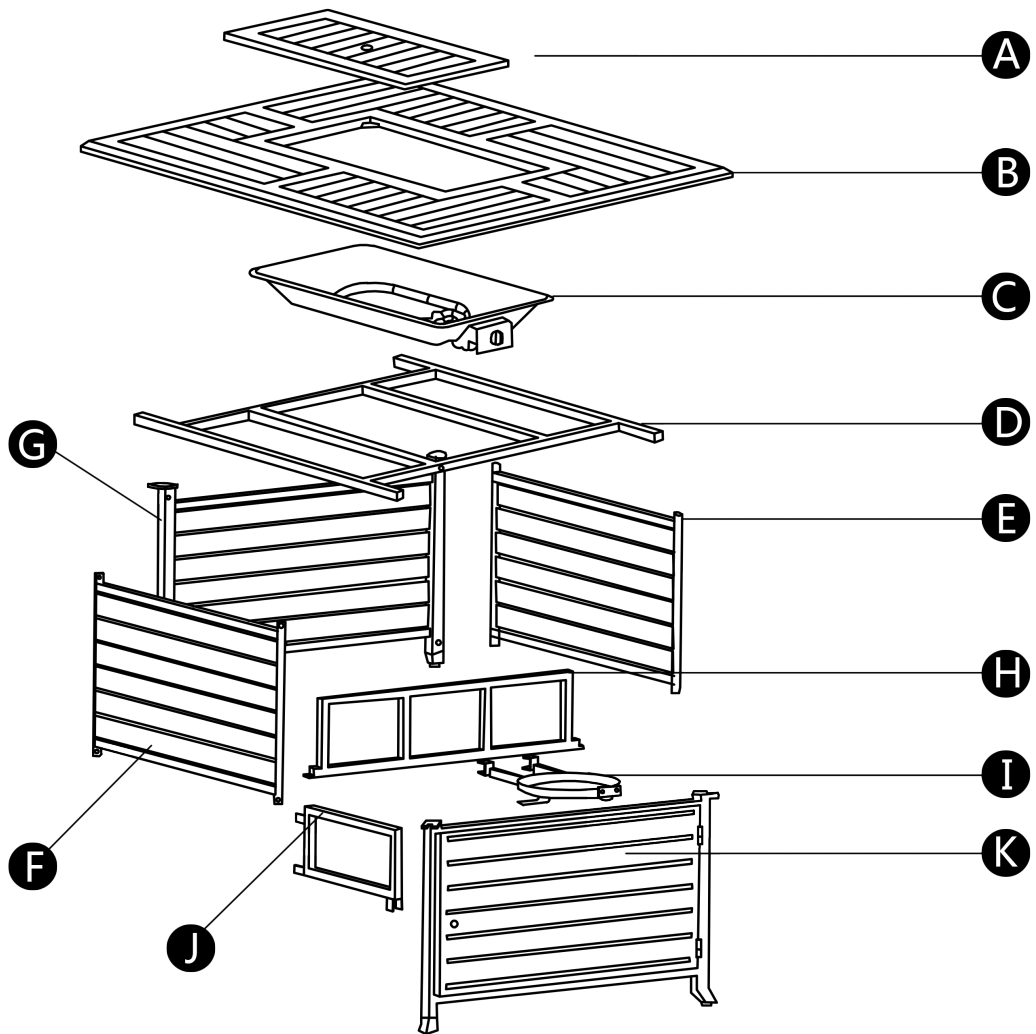
## TROUBLESHOOTING

---

PROBLEM	POSSIBLE CAUSE	CORRECTIVE ACTION
Burner won't light	Propane cylinder is frosted over	Wait until the propane cylinder warms up and becomes unfrosted
	Blockage in orifice	Clear blockage and striker cage of fire glass 1/4" away on all sides
	Control knob is not in ON position	Turn control knob to ON
Burner flame is low	Gas pressure is low	Turn cylinder valve OFF and fill the cylinder
	Outdoor temperature is less than 40°F and tank is less than 1/4 full	Use a full cylinder
	Control knob fully ON	Check burner and orifices for blockage
Carbon build-up	Dirt or film on burner	Clean burner
Thick black smoke	Blockage in burner	Remove blockage and clean burner inside and outside



## REPLACEMENT PARTS LIST



PART	DESCRIPTION	QUANTITY
A	Lid	1
B	Table Top	1
C	Burner	1
D	Burner Bracket	1
E	Side Panel 1	1
F	Side Panel 2	1
G	Support Frame	1
H	Gas Tank Bracket (side)	1
I	Gas Tank Bracket (bottom)	1
J	Guard Bar	1
K	Door Frame	1
L	Bolt (M8,Washer, Spring Washer, Nut )	4
M	Bolt (6*20mm), Washer	4
N	Bolt (6*30mm), Washer	8
O	Wrench	1
P	Screw Driver	1
Q	Glass Beads	2boxes