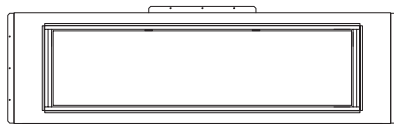


INSTALLATION, OPERATION AND MAINTENANCE MANUAL

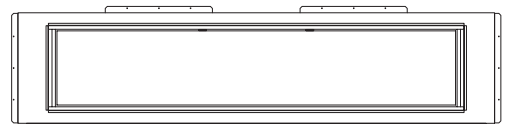
ELECTRIC SERIES



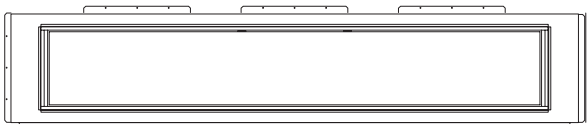
EL40
44kg, 97lbs



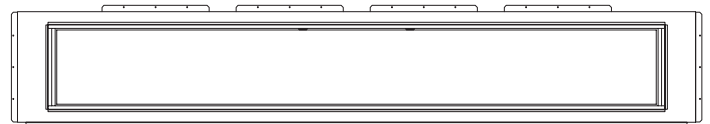
EL60
55.65kg, 122.69lbs



EL80
69.15kg, 152.34 lbs



EL100
88.75kg, 195.66lbs



EL120
98.95kg, 218.15lbs

PLEASE READ THESE INSTRUCTIONS COMPLETELY BEFORE OPERATING THE ECOSMART™ FIRE. FAILURE TO FOLLOW THEM COULD CAUSE A HEATER MALFUNCTION RESULTING IN SERIOUS INJURY AND/OR PROPERTY DAMAGE.

WARNING: ALL ELECTRIC HEATERS HAVE HOT AND ARCING OR SPARKING PARTS INSIDE. DO NOT USE IT IN AREAS WHERE GASOLINE, PAINT OR FLAMMABLE LIQUIDS ARE OR ARE STORED.

THIS FIREPLACE MEETS THE CONSTRUCTION AND SAFETY STANDARDS OF H.U.D. FOR APPLICATION IN MANUFACTURED HOMES WHEN INSTALLED ACCORDING TO THESE INSTRUCTIONS.

INSTALLER: LEAVE THIS MANUAL WITH THE APPLIANCE.
CONSUMER: RETAIN THIS MANUAL FOR FUTURE REFERENCE.

IMPORTANT INSTRUCTIONS

WARNING: Improper installation, adjustment, alteration, service or maintenance can cause injury or property damage. Refer to this manual. For assistance or additional information, consult a qualified installer.

CAUTION: Do not expose the heater to the elements (such as rain, etc).

Do not place clothing or other flammable material on or near firebox. Never place any objects on the fireplace.

Carefully supervise young children when they are in the room with fireplace.

Fireplace becomes very hot when running. Keep children and adults away from hot surfaces to avoid burns or clothing ignition. Fireplace will remain hot for a time after shutdown. Allow surfaces to cool before touching.

CAUTION: In order to avoid overheating, do not cover the heater.

When using electrical heaters, basic precautions should always be followed to reduce the risk of fire, electric shock and injury to persons, including the following:

1. Read all instructions before installing or using this heater.
2. This heater is hot when in use. To avoid burns, do not let bare skin touch hot surfaces. Keep combustible materials, such as furniture, pillows, bedding, papers, clothes, and curtains at least 3 feet (0.9m) from the front of the heater and keep them away from the sides and rear.
3. Extreme caution is necessary when any heater is used by or near children or invalids and whenever the heater is left operating and unattended.
4. Do not operate any heater after it malfunctions. Disconnect power at service panel and have heater inspected by a reputable electrician before using.
5. Do not use outdoors.
6. To disconnect heater, turn controls to off and turn off power to heater circuit at main disconnect panel.
7. Do not insert or allow foreign objects to enter any ventilation or exhaust opening as this may cause an electric shock or fire, or damage the heater.
8. To prevent a possible fire, do not block air intakes or exhaust in any manner.
9. A heater has hot and arcing or sparking parts inside. Do not use it in areas where gasoline, paint or flammable vapors or liquids are used or stored.
10. Use this heater only as described in this manual. Any other use not recommended by the manufacturer may cause fire, electric shock or injury to persons.
11. Do not operate any heater with a damaged cord or plug or after the heater malfunctions, has been dropped or damaged in any manner.

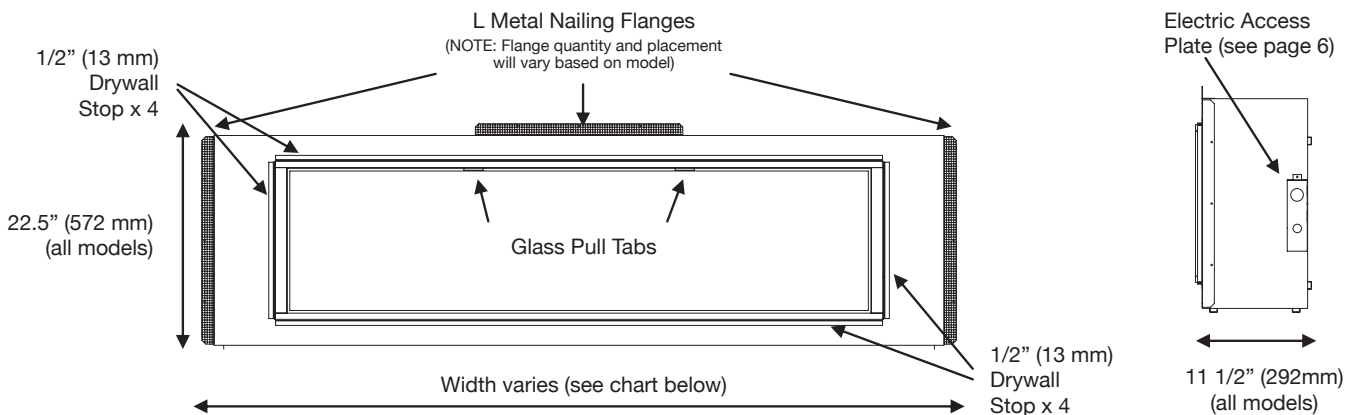
Return heater to authorized service facility for examination, electrical or mechanical adjustment, or repair.
12. This heater is not intended for use in bathrooms, laundry areas and similar indoor locations. Never locate heater where it may fall into a bathtub or other water container.
13. Do not run cord under carpeting. Do not cover cord with throw rugs, runners, or the like. Arrange cord away from traffic area and where it will not be tripped over.
14. Avoid the use of an extension cord because the extension cord may overheat and cause a risk of fire. However, if you have to use an extension cord, the cord shall be No. 12 AWG minimum size and rated not less than 1500 watts.
15. SAVE THESE INSTRUCTIONS

PRODUCT SPECIFICATIONS

POWER DATA

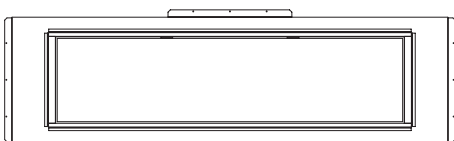
	EL40	EL60	EL80	EL100	EL120
Volts/HZ Amps	AC 120V/60Hz 15 Amps	AC 120V/60Hz 15 Amps	AC 120V/60Hz 15 Amps	AC 120V/60Hz 15 Amps	AC 120V/60Hz 15 Amps
Heater	AC 120V/60Hz 750W/1500W	AC 120V/60Hz 750W/1500W	AC 120V/60Hz 750W/1500W	AC 120V/60Hz 750W/1500W	AC 120V/60Hz 750W/1500W
Lamps	LED 12V	LED 12V	LED 12V	LED 12V	LED 12V
Rotor motor	AC 120V/60Hz 4W CCW 15/18 r/min	AC 120V/60Hz 4W CCW 15/18 r/min	AC 120V/60Hz 4W CCW 15/18 r/min	AC 120V/60Hz 4W CCW 15/18 r/min	AC 120V/60Hz 4W CCW 15/18 r/min
Shipping Size	58" x 26" x 14" 1473mm x 660mm x 356mm	78" x 26" x 14" 1981mm x 660mm x 356mm	98" x 26" x 14" 2489mm x 660mm x 356mm	118" x 26" x 14" 2997mm x 660mm x 356mm	138" x 26" x 14" 3505mm x 660mm x 356mm

PRODUCT GUIDE

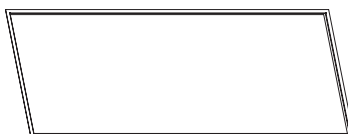


Model	Viewing Area	Firebox Dimensions	Framing Dimensions
EL40	40" W x 15" H 1016mm W x 381mm H	54 3/4" W x 22 1/2" H x 11 1/2" D 1391mm W x 572mm H x 292mm D	55 3/4" W x 23" H x 12" D 1416mm W x 548mm H x 305mm D
EL60	60" W x 15" H 1524mm W x 381mm H	74 3/4" W x 22 1/2" H x 11 1/2" D 1899mm W x 572mm H x 292mm D	75 3/4" W x 23" H x 12" D 1924mm W x 548mm H x 305mm D
EL80	80" W x 15" H 2032mm W x 381mm H	94 3/4" W x 22 1/2" H x 11 1/2" D 2407mm W x 572mm H x 292mm D	95 3/4" W x 23" H x 12" D 2432mm W x 548mm H x 305mm D
EL100	100" W x 15" H 2540mm W x 381mm H	114 3/4" W x 22 1/2" H x 11 1/2" D 2915mm W x 572mm H x 292mm D	115 3/4" W x 23" H x 12" D 2940mm W x 548mm H x 305mm D
EL120	120" W x 15" H 3048mm W x 381mm H	134 3/4" W x 22 1/2" H x 11 1/2" D 3423mm W x 572mm H x 292mm D	135 3/4" W x 23" H x 12" D 3448mm W x 548mm H x 305mm D

BOX CONTENTS



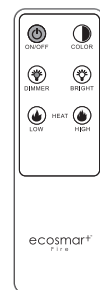
1 x Fire Unit



1 x L Metal Deco Trim



1 x Tethered Wall Control



1 x Remote



L Metal Nailing Flanges (with screws)
*Quantity varies by model



Glass Media
*The number of bags vary by model.

INSTALLATION

4

LOCATING FIREPLACE

CAUTION: Do not locate in a moist room such as a bathroom or laundry room.

CAUTION: Wear gloves and safety glasses for protection during installation and maintenance.

INSTALLING FIREPLACE

WARNING: If the information in these instructions is not followed exactly, a fire or explosion may result causing property damage, personal injury or death.

WARNING - RISK OF FIRE!

To prevent a possible fire, do not block air intake or exhaust in any manner. Do not use on soft surfaces where openings may become blocked.

WARNING - RISK OF FIRE!

Do not blow or place insulation against the firebox.

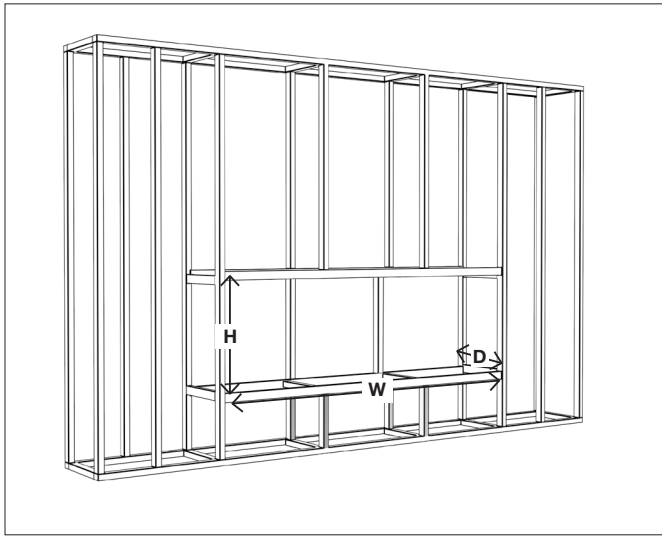
To reduce the risk of fire do not store or use gasoline or other flammable vapors in the vicinity of this or any other heater.

CAUTION: Keep combustible materials, such as furniture, pillows, bedding, papers, clothes and curtains at least 3 feet (0.9m) from the front of the heater and keep them away from the sides and rear.

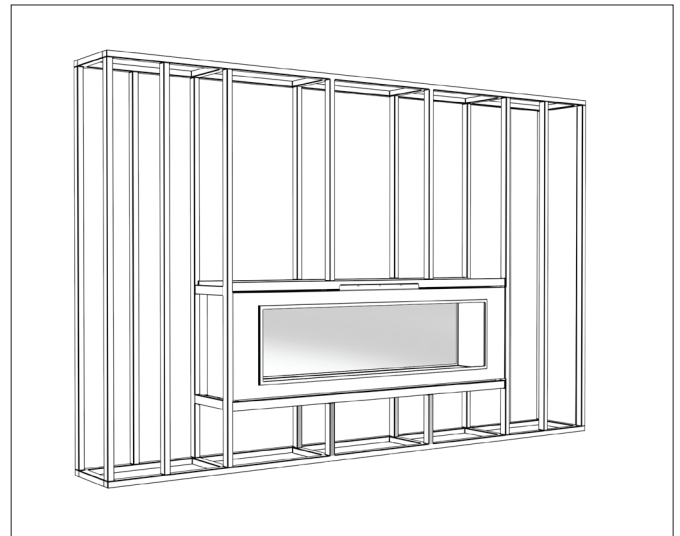
Select a suitable location that is not susceptible to moisture and is a safe distance from drapes, furniture and high traffic areas. A qualified electrician should add a flexible 15 amp 120 volt circuit per local building codes.

Note: Follow all national and local electrical codes.

1. Prepare the framed opening using wood or metal studs according to the Framing Dimensions chart



4. Install the fire unit in the framed opening with a minimum 1 1/4 (32mm) drywall screws to secure the unit.



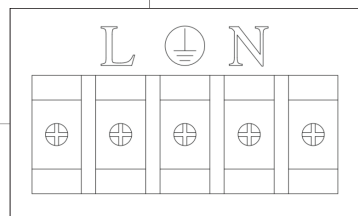
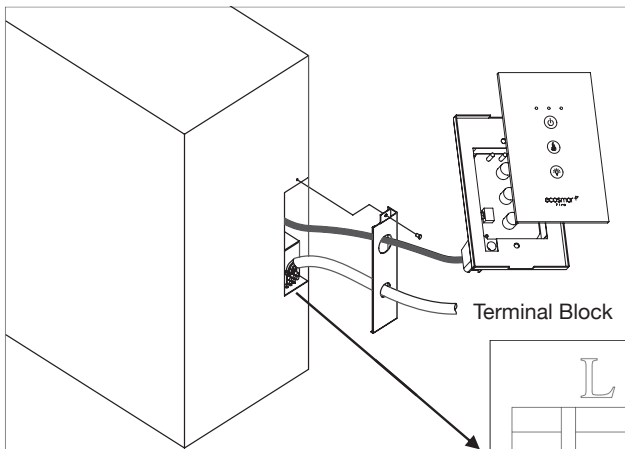
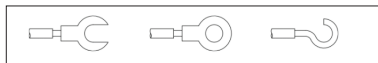
FRAMING DIMENSIONS

Model	W	H	D
EL40	55 3/4" (1416mm)	23" (584mm)	12" (305mm)
EL60	75 3/4" (1924mm)	23" (584mm)	12" (305mm)
EL80	95 3/4" (2432mm)	23" (584mm)	12" (305mm)
EL100	115 3/4" (2940mm)	23" (584mm)	12" (305mm)
EL120	135 3/4" (3448mm)	23" (584mm)	12" (305mm)

2. Install L shaped metal nailing flanges onto fireplace.

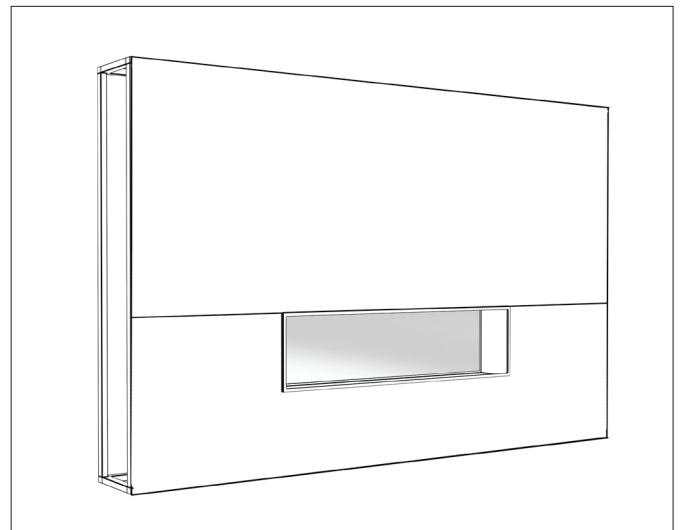
To be performed by a qualified electrician according to local building codes.

3. Connect hard wire to the terminal block according to the diagram below. Choose any connector type according to local building code.



5. Mask the exposed fire unit during the drywall process. Install drywall to the drywall stops on the perimeter of the fire insert. For more information on the drywall stops see the Product Guide on page 3. Decorate as desired.

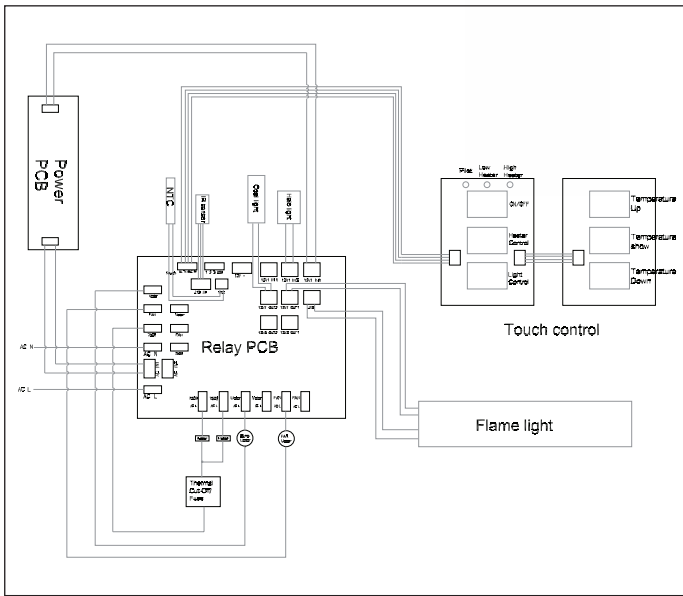
6. After installation, user may elect to use the L Metal Deco Trim. To install, use a small amount of construction adhesive and secure to the drywall face.



OPTIONAL INSTALLATIONS

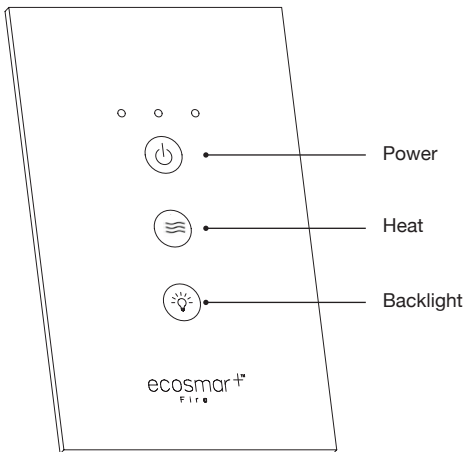
Installing the Wired Touch Control

1. Locate and remove the access door on the rear right side of the fire unit.
2. Locate the Wired Touch Control directly inside the access panel. Pull the touch control through the access panel and replace the access door. Locate the touch control anywhere within cable length.
3. The wiring of the Wired Touch Control cannot be located near high voltage wires (110V) as this may effect performance of the touch control. Keep all high voltage power at least 12" (305mm) from the touch control and touch control wiring. The touch control includes 12 feet of wiring. Do not add or remove or cut the wiring.



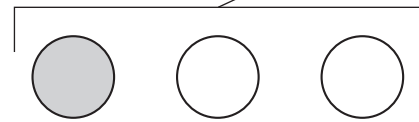
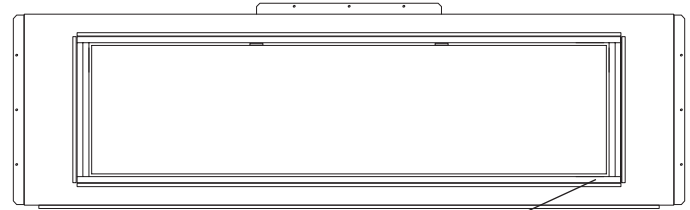
The unit is hardwired and has no main switch. (Caution: If servicing this unit, turn off power at the main circuit breaker.) An optional tethered wall control switch is included, refer to installation instructions to relocate the tethered wall control switch to a wall location.

The included Wired Touch Control functions in the same manner as the buttons on the tethered wall control switch.

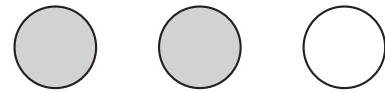


Indicator Lights

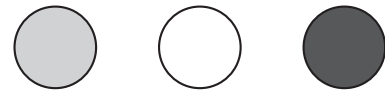
When all indicator lights are off, touching any button will only show the status. Once the indicator lights are on you can begin operation. Touch the power button to turn the machine on. This will be indicated by 1 orange LED light. The Heat button can be pressed multiple times and will turn on low, high and off in that order. The Backlight button turns on high, medium, low and off in that order.



When the switch turns on, this orange pilot lamp is always on. It shows the fire is energized.



The status light above shows that the power is on and the heater is on low.



The status light above shows that the power is on and the heater is on high.

Remote

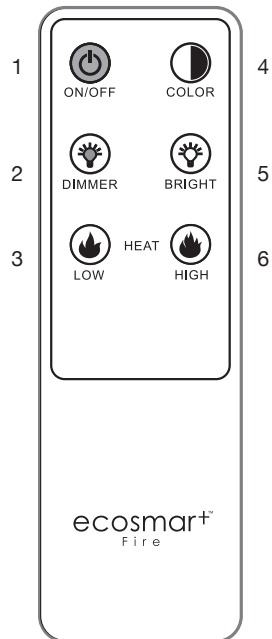
The On/Off button toggles the unit on or off. The Color button toggles the flame image from orange to blue. The Dimmer button will lower the brightness of the flame and turn the flame off at the lowest setting. The Bright button will make the fire image brighter. Press the Heat button for low heat (5000BTU). Press the Heat button for high heat (10000BTU). Press either of these buttons twice to turn the heat off.

NOTE: The indicator lights on the wall switch as well as the main unit will only notify you the heat setting is on.

Pairing the Remote

To pair remote, turn off the fire unit at the main power switch for 30 seconds. Hold the On/Off button on the remote while flipping the main power switch back to on. When the fire unit powers up, the remote will be paired.

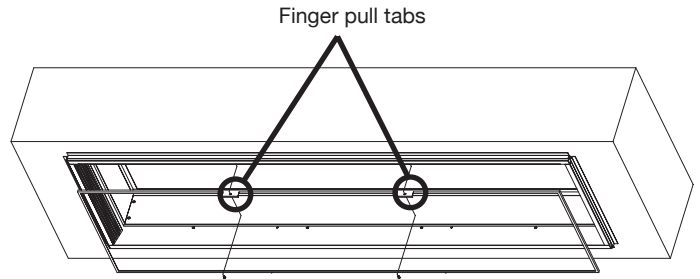
1. Press to turn unit on / off
2. Press to dim flame
3. Press for low heat
4. Press to change flame from orange to blue
5. Press to brighten flame
6. Press for high heat



Installing Optional Log Set

1. Remove the inner glass panel by first removing the 2 screws in the finger pull tabs (finger pull tabs are located on the top of the glass panel.) Tilt the glass face down about 45 degrees and remove the glass. Store the glass panel upright (not on it's face) in a safe place.

CAUTION: There are locator pins on the bottom of the glass panel. Lift gently to avoid damaging the pins and unit face



2. Follow the instructions included with the optional log set.




MAINTENANCE



SERVICE PARTS

ITEM	PHOTO	DESCRIPTION
ESF.1.EL.P.PCB		Electric Printed circuit board
ESF.1.EL.P.LCD		Electric LCD Touch Control
ESF.1.EL.P.REM.IRC		Electric Remote Control IR Receiver
ESF.1.EL.P.TRA		Electric Transformer
ESF.1.EL.P.HF.RH		Electric Right hand Heater Fan
ESF.1.EL.P.HF.LH		Electric Left hand Heater Fan
ESF.1.EL.P.HTR		Electric Heater
ESF.1.EL.P.MTR		Electric Spindle Motor
ESF.1.EL.P.LED40		Electric LED 40
ESF.1.EL.P.LED60		Electric LED 60
ESF.1.EL.P.LED80		Electric LED 80
ESF.1.EL.P.LED100		Electric LED 100
ESF.1.EL.P.LED120		Electric LED 120
ESF.1.EL.P.REM		Electric Remote Control
ESF.1.EL.P.GL40		Electric Innerglass 40
ESF.1.EL.P.GL60		Electric Innerglass 60
ESF.1.EL.P.GL80		Electric Innerglass 80
ESF.1.EL.P.GL100		Electric Innerglass 100
ESF.1.EL.P.GL120		Electric Innerglass 120
ESF.1.EL.P.TWS		Electric Wired Touch Control

ITEM	PHOTO	DESCRIPTION
ESF.1.EL.PMDT40		Electric Metal Deco Trim 40
ESF.1.EL.PMDT60		Electric Metal Deco Trim 60
ESF.1.EL.PMDT80		Electric Metal Deco Trim 80
ESF.1.EL.PMDT100		Electric Metal Deco Trim 100
ESF.1.EL.PMDT120		Electric Metal Deco Trim 120

FREQUENTLY ASKED QUESTIONS

- Q. How do you program the remote control?
A. The remote comes pre-programmed. No programming is necessary.
- Q. What distance can the remote be used from the fireplace?
A. Optimal distance for the remote control is within 20 feet (6 meters) of the fireplace.
- Q. Can you turn on the fireplace via the touch screen and off via the remote (or vice versa)?
A. Yes.
- Q. How long will the LED lights last?
A. LED Lamps have a life span of up to 20 years.
- Q. Can the sensitivity of the touch screen be adjusted?
A. Yes, but only by the factory. Not just any technician will be able to adjust the touch screen sensitivity.
- Q. Can the fireplace be installed outside?
A. No. Please review the entire safety chapter before installing this fireplace.
- Q. Does the fireplace need to be on a dedicated 15 amp circuit?
A. Yes.
- Q. What thickness of sheetrock should be used for the recessed installation?
A. 1/2" (13mm) or 5/8" (16mm).
- Q. How often do the batteries in the remote need to be replaced?
A. Annually, possibly more with heavy use.
- Q. Is there a remote receiver in the fireplace that requires batteries?
A. No, only the remote transmitter requires batteries. The rest of the fireplace operates entirely off the main power supply

TROUBLESHOOTING

PROBLEM	POSSIBLE CAUSE	CORRECTIVE ACTION
Flame is not visible when unit is turned on	A. Wiring is loose	A. Disconnect unit from power source and inspect for loose connections
	B. Motherboard is defective	B. Replace motherboard
Fireplace lights up but there is no flame image	A. Wiring for motor is loose	A. Disconnect unit from power source and inspect for loose connections from motor
	B. Motor is defective	B. Replace motor
Fireplace is squeaking when flame image is on	A. Fireplace spindle/ rod is contacting to metal	A. Apply lithium grease or any standard grease to contacts with rod and metal
	B. Motor is defective	B. Replace motor
Nothing comes on (touch screen, etc.)	A. Breaker tripped or circuit has no power	A. Reset breaker, test circuit for power
	B. Internal component is frozen and needs to be reset	B. Turn power off at the main breaker for 20 seconds. Turn power back on.
	C. Defective component	C. Qualified service technician needs to replace motherboard, transformer or LCD touch control.
Touch Screen Comes on - then nothing	A. Fireplace is not plum to the wall (there is space between the touch screen and fascia)	A. Reposition the fireplace in the installation so the glass fascia rests firmly to the fireplace touch controls. Check that fascia is seated correctly on pins
	B. Fireplace was installed with the power in "on" position	B. Turn the main breaker to the "off" position for 30 seconds. Next flip the breaker back into the "on" position for 20 seconds for complete reboot of touch control.
	C. Not operating touch control properly with finger	C. Press flat part of finger firmly on the touch screen and apply moderate pressure
	D. Loose connection on motherboard	D. Check functions with remote control. If functional, check connections on motherboard
	E. Motherboard is defective	E. Replace Motherboard
Fireplace turns off and will not turn back on	A. Fireplace has overheated and safety disc has snapped or circuit breaker has tripped	A. Turn the main circuit breaker to the "off" position for 30 seconds. Next, turn the breaker back to the "on" position. Unit will reboot and safety disc will reset. Ensure there are no obstructions to the air inlet or air outlet areas around the fireplace.
Can operate fireplace functions with touch controls but not remote control	A. Low Batteries	A. Replace batteries in remote control with - CR2025
	B. Remote not paired properly	B. To pair remote, turn off the fire unit at the main power switch for 30 seconds. Hold the On/Off button on the remote while flipping the main power switch back to on. When the fire unit powers up, the remote will be paired.
	C. Remote control defective	C. Replace remote control
	D. Remote Sensor is defective	D. Replace remote sensor inside fireplace
Heater does not provide heat when on	A. Wiring is loose	A. Disconnect unit from power source and inspect for loose connections
	B. Thermal snap disc has been tripped	B. Turn the main breaker to the "off" position for 30 seconds. Next flip the breaker back into the "on" position.
	C. Heater core is defective	C. Replace Heater Core

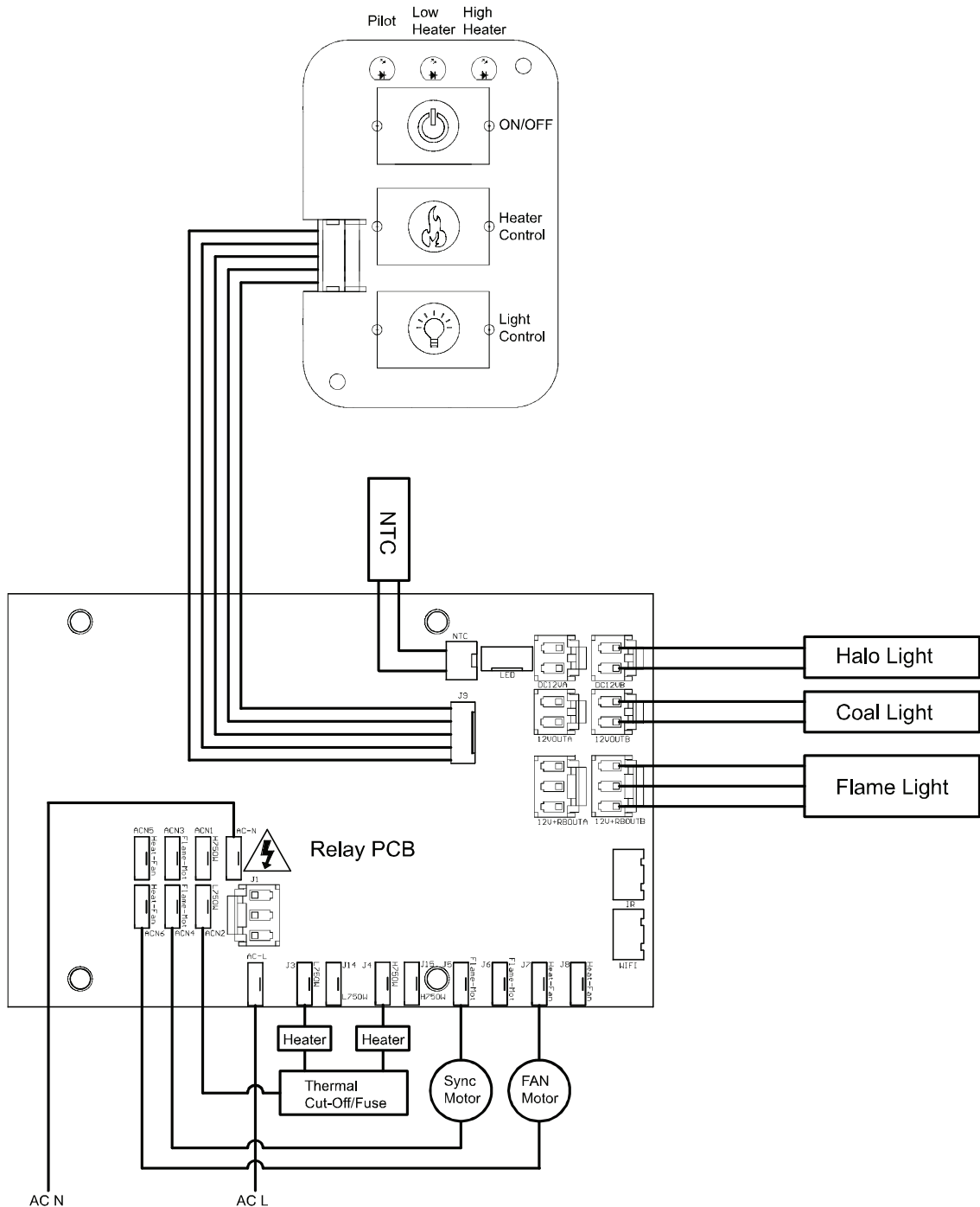
CLEANING AND MAINTENANCE INSTRUCTIONS

There is very little maintenance involved with your electric fireplace. Please follow the few points below:

- On a semi-annual basis unplug the machine from it's power source and wait for the heating element to cool, remove the glass face of the fireplace and dust the fire unit with a dry cloth. Be careful not to brush any wires that may be exposed as you do this.

- To clean the glass face of the fireplace simply use your desired glass cleaner with paper towels.
- To clean the air inlets/outlets, wipe with a soft cloth or the nozzle of a vacuum cleaner
- Dust can easily build up around the heater area under the appliance. Take particular care to clean this area on a regular basis to prevent buildup.

WIRING DIAGRAM



Dusting

The glass media included with your model can be made black for a charcoaled look by following these instructions.

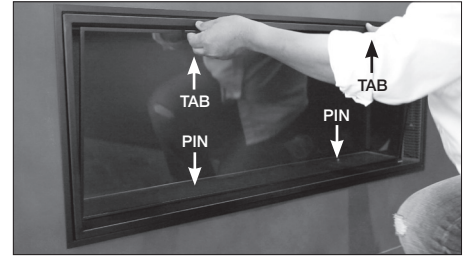
Step 1: Before beginning installation, locate the glass media and black dusting spray.



Step 2: Remove the two screws secured at the top of the glass panel.



Step 3: Pull the upper tabs and tilt the glass towards you. Then carefully lift and detach from the bottom two pins.



Step 4: Evenly place the desired amount of glass media on the clear strip.



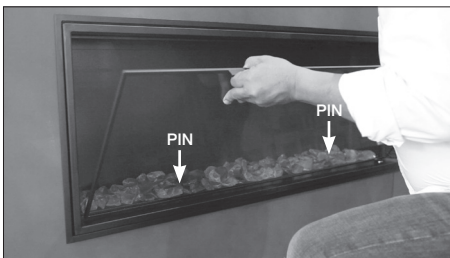
Step 5: Cover the firebox interior with a protective material (i.e. paper). Please use caution, over spray or lack of protection could damage surrounding furniture.



Step 6: Lightly spray the glass media with black dusting spray. Repeat until desired look is achieved. Then allow paint to dry.



Step 7: To reattach the glass panel, locate the bottom two pins and insert into the holes. Then carefully tilt into place.



Step 8: Re-attach screws and tighten until the glass panel is secure.



Your Warranty

Your EcoSmart Fire is covered by a transferable limited warranty and a solid service and support network should you need it. In the unlikely event of a problem occurring due to a manufacturing fault within 12 months from the date of purchase of the appliance, parts will be supplied for repair of the product or the product will be replaced free of charge. Repair or replacement is at the option of Mad Design USA. At Mad Design USA, we believe in supplying you with the best, most user friendly fireplace and

providing you with the means to keep it that way. Many aspects of the EcoSmart Fire are hand-produced, hand-finished and use natural materials, which makes them subject to variations in finish and size.

All of our pieces will mature and age over the course of time, through natural processes associated with use and with heat and flame. These changes are an essential part of the dynamic of the piece. Mad Design USA reserves the right to make minor amendments without prior notice.

Length of warranty	Mad Design USA undertakes to:	The express warranties do not include:
<p>12 MONTHS WARRANTY FROM DATE OF PURCHASE ON GLASS AND STAINLESS STEEL PARTS INCLUDING RAW, LINED AND POWDER COATED</p> <p>Chips and scratches are not covered by warranty.</p>	<p>Repair or, at our option, replace without cost to owner either for materials or labour, any part that is found to be defective.</p>	<p>A. Service calls to:</p> <ol style="list-style-type: none"> 1. Correct the installation of the Fire. 2. Instruct you how to use the Fire. <p>B. Repairs when the EcoSmart Fire has been used in other than normal domestic/commercial use or when not used in accordance with the Installation, Operating and Maintenance Manual or operation with an incorrect power source.</p> <p>C. Repairs when the EcoSmart Fire parts or models have been modified or altered in any way that has not been approved in writing by Mad Design USA.</p> <p>D. Repairs when the Fire has been dismantled, repaired or serviced by anyone other than an authorised representative of Mad Design USA.</p> <p>E. Pick up and delivery.</p> <p>F. Normal maintenance as required in the Installation, Operating and Maintenance Manual supplied with the EcoSmart Fire.</p> <p>G. Transportation or traveling costs involved in the repair when the appliance is installed outside Mad Design USA's AUTHORISED CUSTOMER SERVICE CENTRES's normal service area.</p> <p>H. Damage to the Fire caused by accident, misuse or Act of God.</p> <p>I. Any incidental shipping or holding costs to deliver your Fire or parts to an Authorized Customer Service Centre.</p> <p>J. Consumable items such as the bulbs and fuses.</p>

The Warranties set out are express Warranties given by the manufacturer and are in addition to the rights and remedies which are conferred upon consumers by the Competition and Consumer Act 2010 of the Commonwealth and other Commonwealth, State or Territory legislation.

Service under the warranties set out above must be provided by Mad Design USA Authorised Customer Service Centre which shall provide service during their normal working hours.

This warranty certificate along with proof of date of purchase must be produced when making any claim.

FIRST NAME _____

LAST NAME _____

EMAIL _____

CITY _____ STATE _____ ZIP _____

COUNTRY _____

DATE OF PURCHASE _____

PURCHASED FROM _____

PRIMARY USE _____

MODEL NAME _____

SERIAL NUMBER _____

You will find this on the dataplate on the side of the burner.

For warranty claims please contact your local distributor. If there is not a local distributor in your country please visit **www.ecosmartfire.com** to source the details of the country closest to you.

*Do not return this form to Mad Design USA, please retain for your own reference.



MAD Design USA

5875 Green Valley Circle, Suite 100

Culver City CA 90230

T + 1 (888) 590.3335 E info@mad-usa.com

V0819

This product is distributed by EcoSmart Inc
DBA MAD Design USA.
