

# evonicfires

quality electric fires built in britain



EuropeanHome

## Halo Instruction Guide

INSTRUCTIONS MUST BE KEPT AFTER INSTALLATION  
FOR FUTURE MAINTENANCE

### Models—Tyrell/Kiruna/Linnea



#### Important Safety Information

Always read this manual first before attempting to install or use this fireplace. For your safety, always comply with all warnings and safety instructions contained in this manual to prevent personal injury or property damage.

**Please note:** Once your e-smart product has been installed and switched ON, the fireplace will take approximately 10 seconds to power up. This is a normal operating procedure and **NOT** a fault.

**SERIAL NUMBER LABEL**

English

11/17/21—Halo

## CONTENTS

1.	Electrical Safety	3/4
2.	Installation Requirements	5
3.	Installation Method	6
4.	3-sided Installation Guide	7
5.	2-sided Installation Guide	8
6.	1-sided Installation Guide	9
7.	Glass Removal	10
8.	Side Conversion Panels	11 - 14
9.	Log Guidance	15
10.	Product Operation	16
11.	Evonic Applications and Connecting	17-21
12.	Specification Drawings	22-30
13.	Troubleshooting chart	31-34
14.	App & Alexa Instruction	35-36
15.	Color Coding for Wiring	37
16.	Warranty	38

This guide is designed to aid in the installation and continued performance of this product. This product conforms with all health, safety, and environmental protection standards as indicated by a CE mark. For optimum performance this product requires a well-insulated location and indoor use.

## **ELECTRICAL SAFETY:**

**When using electrical appliances, basic precautions should always be followed to reduce the risk of fire, electric shock, and injury to persons, including the following:**

- ① Read all instructions before using this electric fireplace.
- ② This fireplace is hot when in use. To avoid burns, do not let bare skin touch hot surfaces. The trim around the heater outlet becomes hot during heater operation. DANGER: High temperatures may be generated under certain abnormal conditions. Do not partially or fully cover or obstruct the front of this heater.
- ③ Extreme caution is necessary when any heater is used by or near children or people of reduced mobility and whenever the unit is left operating and unattended.
- ④ Young children should be supervised to ensure that they do not play with the appliance.
- ⑤ The appliance is not intended for use by young children or infirmed persons without supervision.
- ⑥ In the event of a malfunction, disconnect power at the service panel and have the unit inspected by a reputable electrician before reusing.
- ⑦ If the power cord is damaged, it must be replaced by the manufacturer, or its service agent, or a qualified person in order to avoid a hazard.
- ⑧ Do not use outdoors.
- ⑨ Never locate fireplace where it may fall into a bathtub or other water container.
- ⑩ To disconnect the fireplace, turn the controls off, and turn off power to heater circuit at main electrical panel.
- ⑪ Do not run the cord under carpeting. Do not cover cord with throw rugs, runners, or the like. Arrange cord away from traffic area and where it will not be tripped over.
- ⑫ Do not locate the heater immediately below a fixed socket-outlet.

- ⑬ Do not insert or allow foreign objects to enter any ventilation or exhaust opening as this may cause an electric shock or fire, or damage to the heater.
  
- ⑭ To prevent a possible fire, do not block air intakes or exhaust in any manner.
  
- ⑮ All electrical heaters have hot and arcing or sparking parts inside. Do not use in areas where gasoline, paint, or flammable liquids are used or stored.
  
- ⑯ Use this fireplace only as described in this manual. Any other use not recommended by the manufacturer may cause fire, electric shock or injury to persons.
  
- ⑰ Do not change the plug in any way. Always plug heaters directly into a wall outlet/receptacle. Never use with an extension cord or relocatable power tap (outlet/power strip).
  
- ⑱ Do not burn wood or other materials in the electric fireplace.
  
- ⑲ Do not strike the fireplace glass.
  
- ⑳ Always use a certified electrician should new circuits or outlets be required.
  
- ㉑ Always use properly grounded, fused and polarized outlets.
  
- ㉒ Disconnect power supply before performing any cleaning, maintenance or relocation of the unit.
  
- ㉓ When transporting or storing the unit and cord, keep in a dry place, free from excessive vibration and store to avoid damage.

**NOTE: Changes or modifications not expressly approved by the party responsible for compliance could void warranty.**

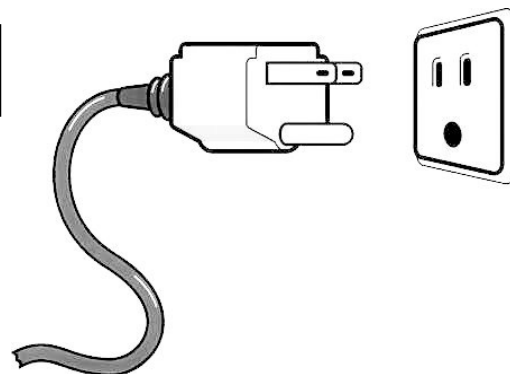
# INSTALLATION REQUIREMENTS:

## Review and consider all the following conditions before installation:

Ensure installation does not allow the electric fireplace to be in direct contact with building vapor barrier or insulation and meets all local building code. A 15 Amp, 120 Volt circuit is required. A dedicated circuit is preferred but not essential in all cases. A dedicated circuit will be required if, after installation, the circuit breaker trips or fuse blows on a regular basis when the heater is operating. Additional appliances on the same circuit may exceed the current rating of the circuit breaker.

Ensure the power cord is not installed so that it is pinched or against a sharp edge and ensure that the power cord is stored or secured to avoid tripping or snagging to reduce the risk of fire, electric shock or injury to persons. Construction and electrical outlet wiring must comply with local building codes and other applicable regulations to reduce the risk of fire, electric shock and injury to persons.

Fig 1.



**WARNING:** To reduce the risk of fire, do not store or use gasoline or other flammable vapors or liquids in the vicinity of the heater.

1. Select a location that is not susceptible to moisture and is away from drapes, furniture and high traffic.
2. For ease of electrical hook up you may wish to locate the fireplace near an existing outlet (for plug-in convenience).
3. Remove electric fireplace, front glass and hardware from the box and remove all packaging materials before installation.
4. Store the fireplace in a safe, dry and dust free location until you are ready to install the fireplace.

## Grounding Instructions:

This product must be grounded. If it should malfunction or breakdown, grounding provides a path of least resistance for electric current to reduce the risk of electric shock. This product is equipped with a cord having an equipment-grounding conductor and a grounding plug. The plug must be plugged into an appropriate outlet that is properly installed and grounded in accordance with all local codes and ordinances.

**DANGER:** Improper connection of the equipment-grounding conductor can result in a risk of electric shock. Check with a qualified electrician or serviceman if you are in doubt as to whether the product is properly grounded. Do not modify the plug provided with the product – if it will not fit the outlet, have a proper outlet installed by a qualified electrician. This product is for use on a nominal 120-volt circuit and has a grounding plug that looks like the plug in **Figure 1**. Make sure that the product is connected to an outlet having the same configuration as the plug.

**WARNING:** Do not attempt to wire your own new outlets or circuits. To reduce the risk of fire, electric shock or injury to persons, always use a licensed electrician. PLEASE NOTE: This appliance cannot be wired into a wall and must use the provided cord and a wall outlet.

# INSTALLATION METHOD:

**PLEASE NOTE: It is crucial to ensure that the product has a minimum internal clearance directly above and below the product of 4" (100mm), this is to ensure that the product can circulate the required airflow for the heater unit.**

**Any faults as a result of ignoring the installation guidelines will invalidate the warranty.**

This product has been designed to be installed into a plaster board, or existing masonry chimney breast. Please note that any corner style models are not suitable to be installed into an existing chimney breast. Please seek advice from a professional, with reference to the structural integrity of the installation site.

If the product is to be installed into an open chimney or flue, it is important that the chimney/flue is blocked off to prevent any up/down drafts and falling debris which could restrict and alter the airflow to the product.

It is also important to ensure that the product has a minimum internal clearance directly above and below the product of **4" (100MM)**, this is to ensure that the product can circulate the required airflow for the heater unit.

The product should never be sealed into an opening with the use of silicones or adhesives as this can also alter the airflow and hinder any further servicing of the product.

## **Installing Product:**

Each product is supplied complete with one or more wall mounting brackets. (Dependent on Model) Establish the desired finished height from floor level to the bottom of the drywall flange of the product.

Fix the wall bracket to the wall ensuring to use the correct hardware fixings given the wall construction, Plaster board or Solid Wall.

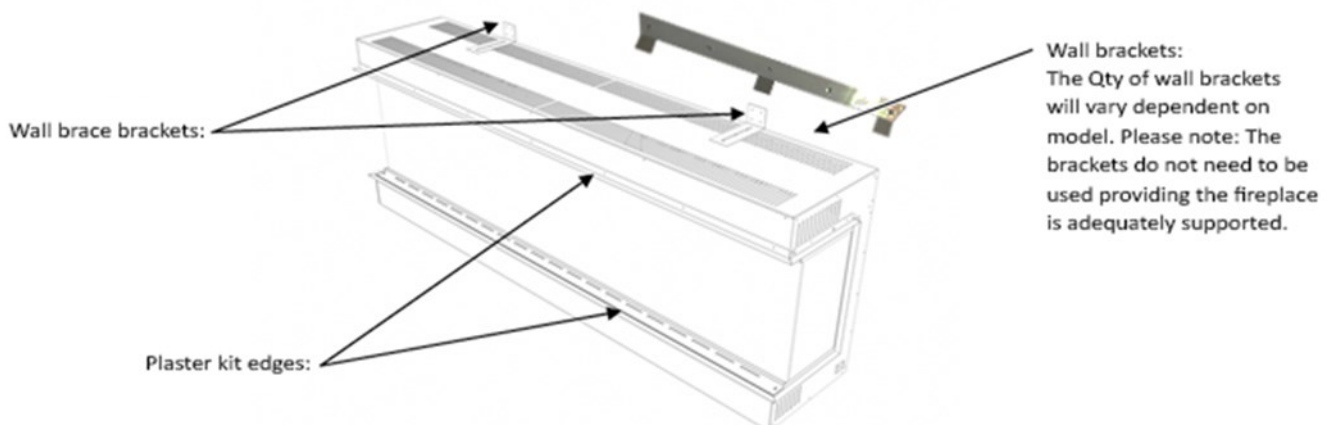
Lift and hook the product onto the wall bracket and secure using the wall brace brackets.

Once the product is secured to the wall and connected to the power supply, the false construction such as plaster board wall or chimney breast can be formed around it.

It is important to allow for the finished face board when setting the depth of the frame construction.

It is essential to include header/Lintel at the required height to ensure the appliance does not support the weight of the finished wall.

Prepare the Cut-Out in the Plasterboard or Finishing Board and install ensuring that the drywall flange edges are fitting to the inside of the Cut-out of the board.



**PLEASE NOTE: Once the product has been fitted into place, please ensure the fire is plugged in and tested to check the fan and ribbons are aligned correctly, and the ribbons are moving freely. It may take up to 20 mins of usage for user to see proper alignment.**

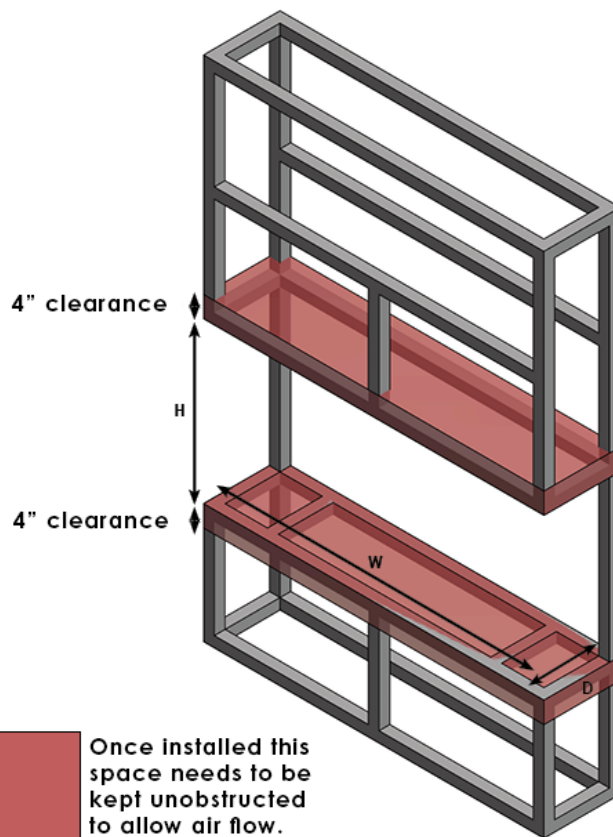
# 3-SIDED INSTALLATION GUIDE

Please note: Measurements do not include drywall flange.  
Please refer to spec drawings for full measurements.

## Total Case size

Model	W	D	H
Tyrell	33 1/8" 842mm	12 5/8" 320mm	39" 990mm
Kiruna	41 1/8" 1045mm	12 5/8" 320mm	29 3/4" 756mm
Linnea	60 3/4" 1543mm	12 5/8" 320mm	29 3/4" 757mm

The above table contains the minimum opening sizes required to house a 3-sided model. This includes the recommended **4" (100mm)** air gap above and below. **1 9/16" (40mm)** has been added to the width and **3/8" (10mm)** to the depth to allow ample space for the fire to fit. Please follow the D & H measurement above and ensure the W is no greater than the width of the chimney breast the product is being installed into.

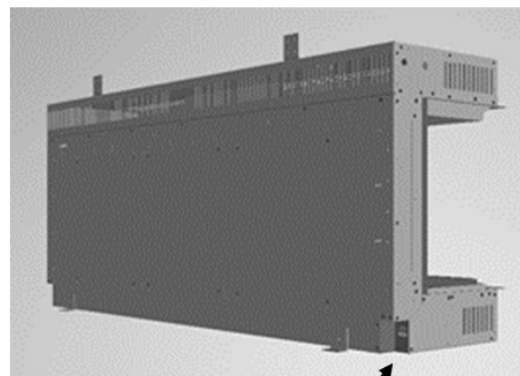


Adhering to the 4" clearance is crucial to the operation of the fire. This clearance space allows warm air from the case of the fire to escape and stop the unit's heater safety feature from being enabled.

## Viewable area once installed

Model	W	D	H
Tyrell	31 9/16" 802mm	11 13/16" 300mm	23 1/4" 590mm
Kiruna	39 1/2" 1003mm	11 13/16" 300mm	14 1/16" 357mm
Linnea	59 1/4" 1503mm	11 13/16" 300mm	14" 355mm

The above table shows the finished sizes once the fire has been installed.



The above image shows the location of the power inlet. Please reference this when constructing the chimney breast.

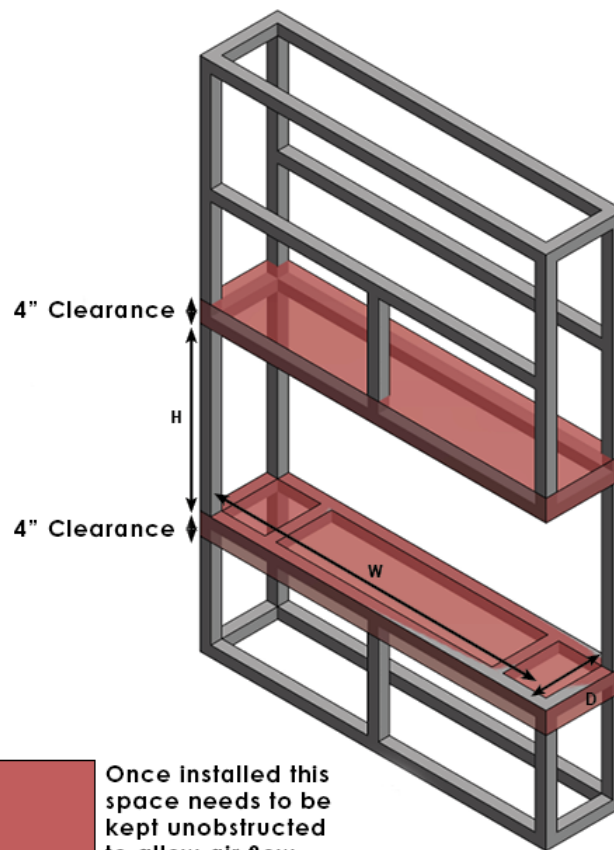
## 2-SIDED INSTALLATION GUIDE

Please note: Measurements do not include drywall flange.  
Please refer to spec drawings for full measurements.

### Total Case size

Model	W	D	H
Tyrell	33 1/8" 842mm	12 5/8" 320mm	39" 990mm
Kiruna	41 1/8" 1045mm	12 5/8" 320mm	29 3/4" 756mm
Linnea	60 3/4" 1543mm	12 5/8" 320mm	29 3/4" 757mm

The above table contains the minimum opening sizes required to house a 3-sided model. This includes the recommended **4" (100mm)** air gap above and below. **1 9/16" (40mm)** has been added to the width and **3/8" (10mm)** to the depth to allow ample space for the fire to fit. Please follow the D & H measurement above and ensure the W is no greater than the width of the chimney breast the product is being installed into.

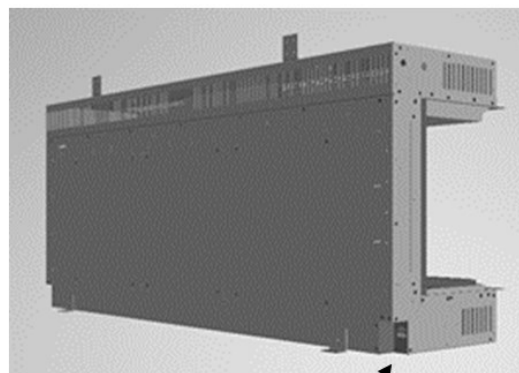


Adhering to the 4" clearance is crucial to the operation of the fire. This clearance space allows warm air from the case of the fire to escape and stop the unit's heater safety feature from being enabled.

### Viewable area once installed

Model	W	D	H
Tyrell	31 9/16" 802mm	11 13/16" 300mm	23 1/4" 590mm
Kiruna	39 1/2" 1003mm	11 13/16" 300mm	14 1/16" 357mm
Linnea	59 1/4" 1503mm	11 13/16" 300mm	14" 355mm

The above table shows the finished sizes once the fire has been installed.



The above image shows the location of the power inlet. Please reference this when constructing the chimney breast.



# 1-SIDED INSTALLATION GUIDE

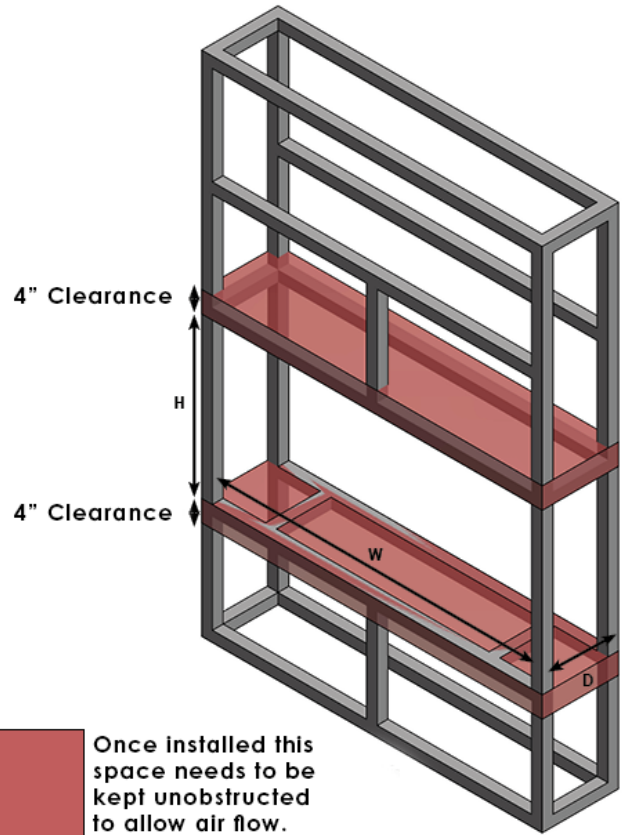
Please note: Measurements do not include drywall flange.

Please refer to spec drawings for full measurements.

## Total Case size

Model	W	D	H
Tyrell	33 1/8" 842mm	12 5/8" 320mm	39" 990mm
Kiruna	41 1/8" 1045mm	12 5/8" 320mm	29 3/4" 756mm
Linnea	60 3/4" 1543mm	12 5/8" 320mm	29 3/4" 757mm

The above table contains the minimum opening sizes required to house a 3-sided model. This includes the recommended **4" (100mm)** air gap above and below. **1 9/16" (40mm)** has been added to the width and **3/8" (10mm)** to the depth to allow ample space for the fire to fit. Please follow the D & H measurement above and ensure the W is no greater than the width of the chimney breast the product is being installed into.



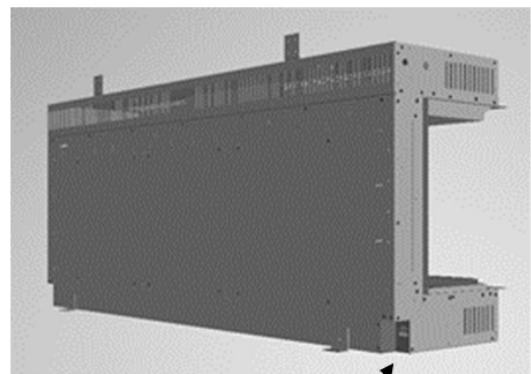
Adhering to the 4" clearance is crucial to the operation of the fire. This clearance space allows warm air from the case of the fire to escape and stop the unit's heater safety feature from being enabled.

## Viewable area once installed

Model	W	D	H
Tyrell	31 9/16" 802mm	11 13/16" 300mm	23 1/4" 590mm
Kiruna	39 1/2" 1003mm	11 13/16" 300mm	14 1/16" 357mm
Linnea	59 1/4" 1503mm	11 13/16" 300mm	14" 355mm

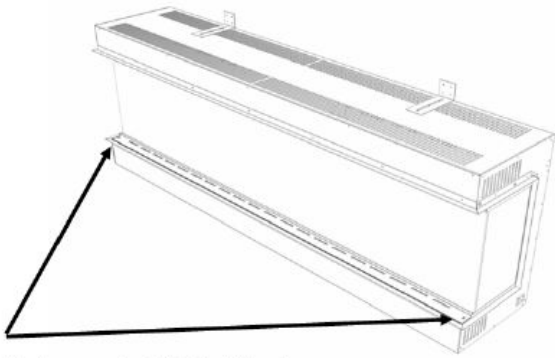
The above table shows the finished sizes once the fire has been installed.

Please note: The depth of a 1-sided installation is shown as N/A as only the front face of the fire is showing once installation is complete.

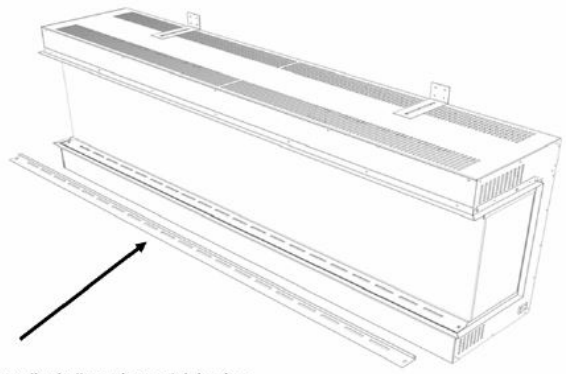


The above image shows the location of the power inlet. Please reference this when constructing the chimney breast.

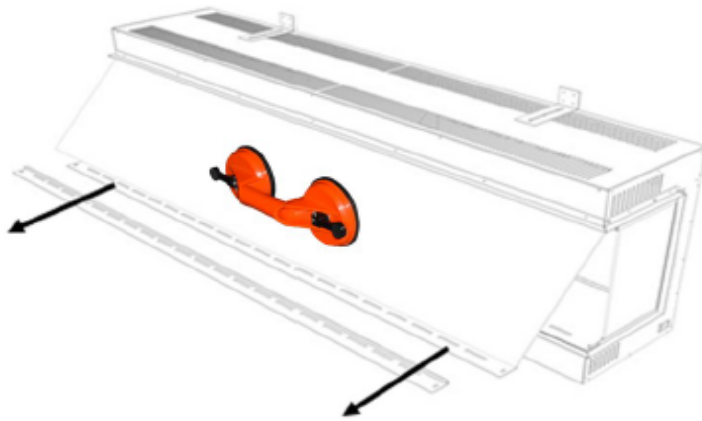
# Glass Removal



1. Remove the two screws located in the bottom glass retaining bar.



2. Remove the bottom glass retaining bar.



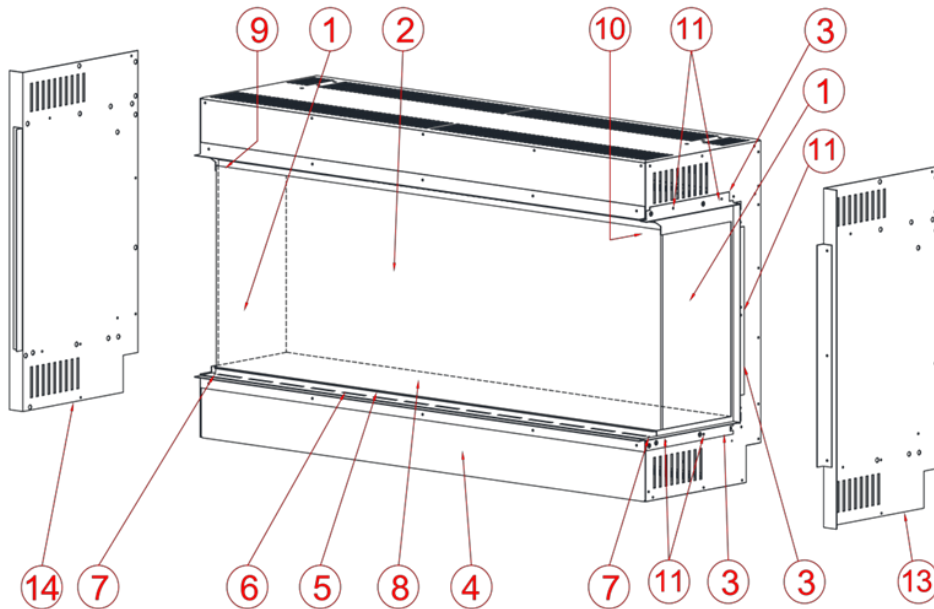
3. Remove the glass by pulling the panel away from the body of the fire.

**\*Ensure that the glass is always supported. A suction cup has been provided to aid with this step.**

**\*The suction cup is provided for support only, not to hold the full weight of the glass. It is recommended that this step is carried out by 2 persons to reduce the risk of injury.**

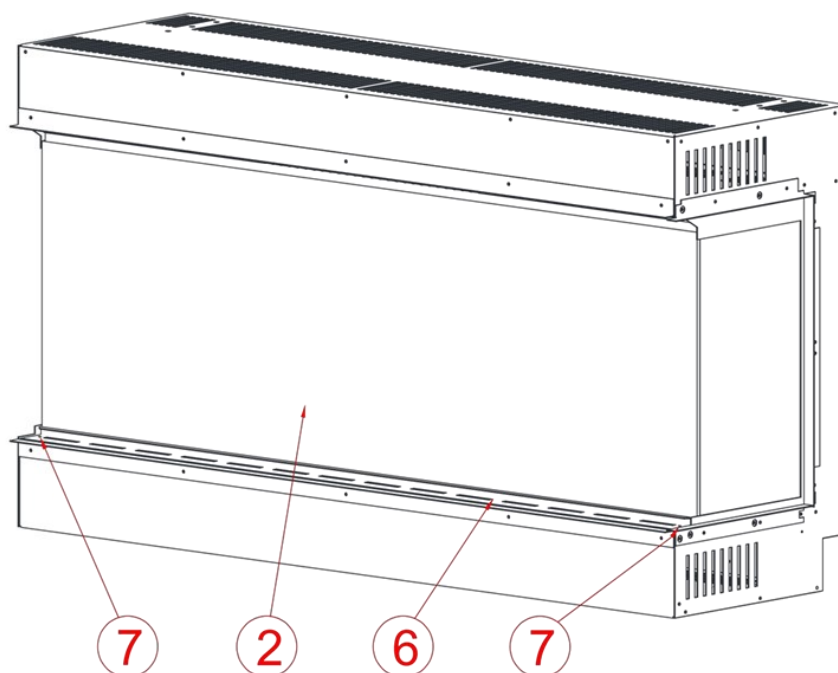
## Side Conversion Panels:

The below diagram shows the areas of the fireplace you are working in to make the proper conversion. Please be sure to bag your hardware when removed, as you will use some of it when installing the side panels



### ITEM. DESCRIPTION.

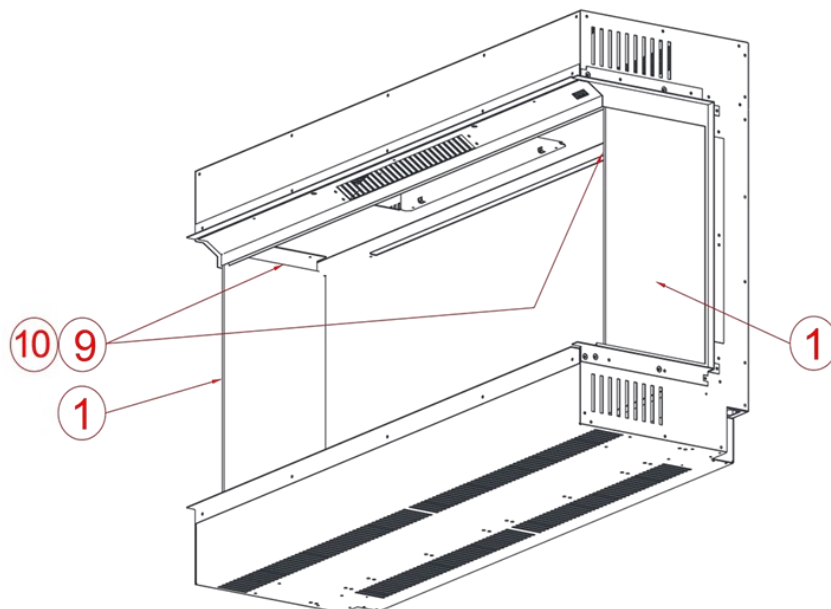
1. SIDE GLASS 2
2. FRONT GLASS 1
3. DRYWALL FLANGE (3 OF LEFT SIDE, 3 OF RIGHT SIDE)
4. MAIN HOUSING 1
5. FRONT GLASS BOTTOM SUPPORT 1
6. FRONT GLASS BOTTOM RETAINER 1
7. FRONT GLASS BOTTOM RETAINER SCREWS 2
8. FUEL BED 1
9. SIDE GLASS TOP RETAINER (INTERNAL) 2
10. SIDE GLASS TOP RETAINER (INTERNAL) SCREWS 4
11. DRYWALL FLANGE SCREWS 16
12. IN-FILL SIDE PIECE SCREWS 16
13. IN-FILL RIGHT SIDE 1
14. IN-FILL LEFT SIDE 1



**STEP 1 - REMOVAL OF FRONT GLASS (ITEM 2)**

REMOVE THE 2 SCREWS (ITEM 7) THAT SECURE THE FRONT GLASS BOTTOM RETAINER (ITEM 6) TO THE FUEL BED (ITEM 8).

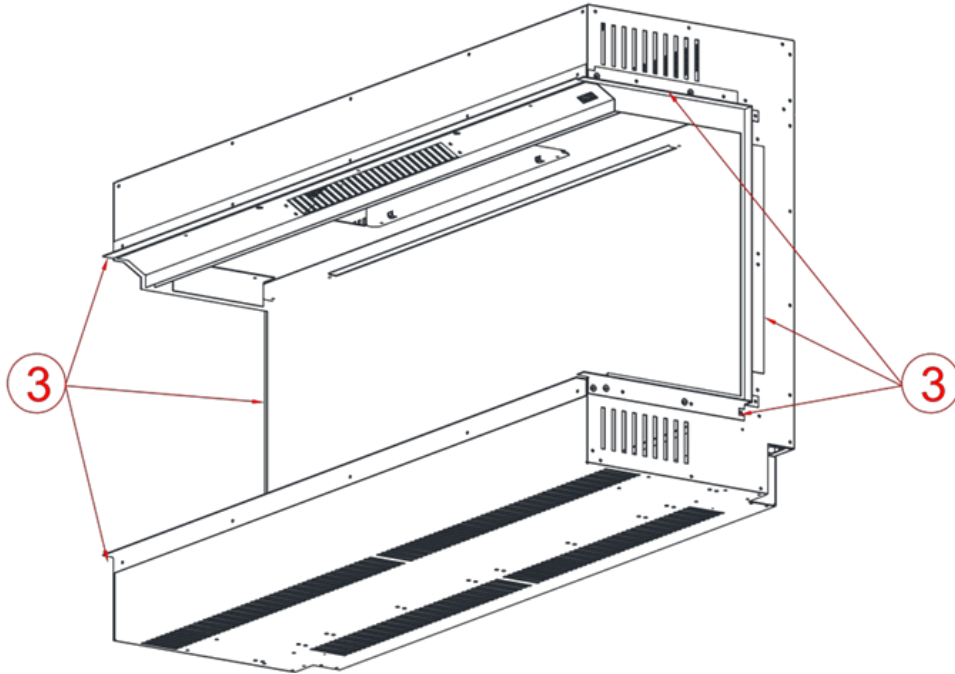
LIFT OFF THE FRONT GLASS RETAINER (ITEM 6) AND USING THE SUCTION CUP SUPPLIED (NOT SHOWN) CAEFULLY REMOVE THE FRONT GLASS (ITEM 2).



**STEP 2 - REMOVAL OF SIDE GLASS (ITEM 1)**

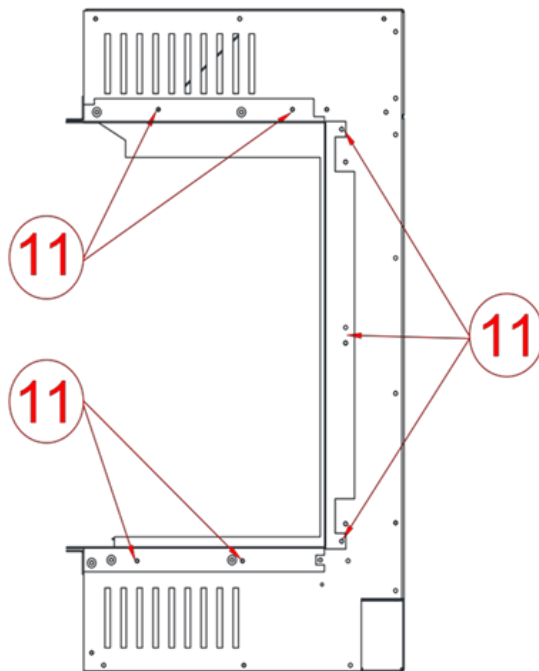
REMOVE THE 2 SIDE GLASS TOP RETAINER BRACKETS (ITEM 9) BY TAKING OUT THE 4 SCREWS (ITEM 10), 2 ON EACH BRACKET.

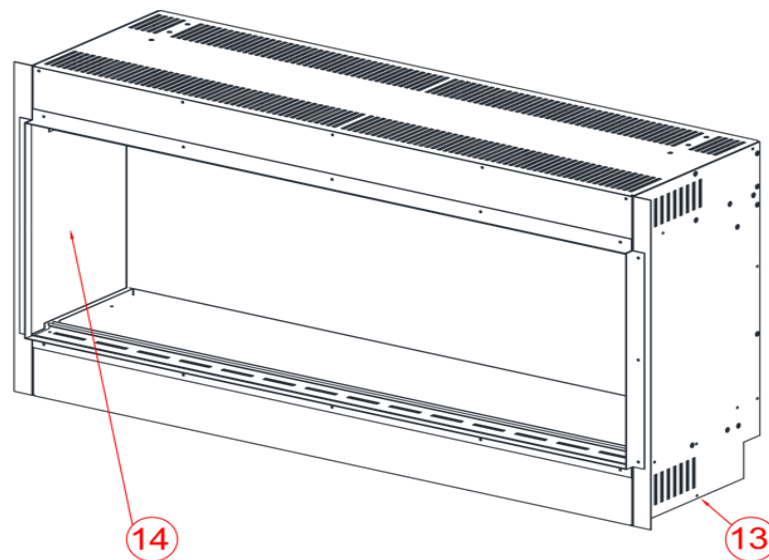
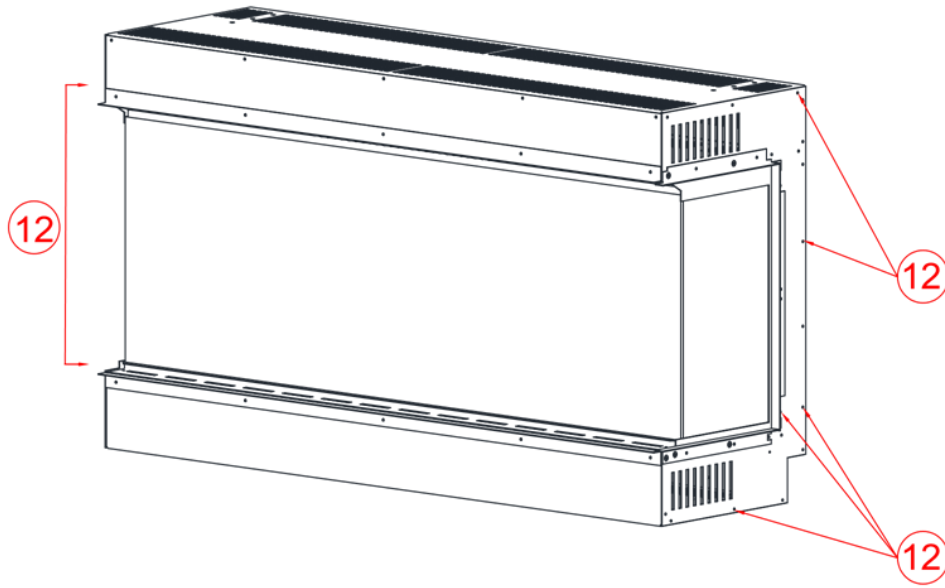
CAREFULLY TILT THE SIDE GLASS INWARDS AT THE TOP AND LIFT IT AWAY FROM UNIT.



**STEP 3 – REMOVAL OF DRYWALL FLANGE (ITEM 3)**

1. REMOVE THE DRYWALL FLANGE SCREWS (ITEM 11) USING A PHILLIPS SCREWDRIVER (NOT SUPPLIED). NOTE: ENSURE TO KEEP SCREWS FOR FUTURE REFERENCE.
2. REMOVE THE DRYWALL FLANGE (ITEM 3) FROM BOTH SIDES OF THE UNIT





**STEP 4—FITTING IN-FILL SIDES (ITEM 13 & 14)**

REMOVE IN-FILL SIDE SCREWS (ITEM 12)

PLACE THE IN-FILL SIDES OVER THE EXISTING SIDE PIECES

USING THE IN-FILL SIDE SCREWS (ITEM 12) TOGETHER WITH THE DRYWALL FLANGE SCREWS (ITEM 11) THAT WERE REMOVED IN THE PREVIOUS STEP SECURE THE LEFT AND RIGHT IN-FILL SIDES (ITEM 13 & ITEM 14) TO THE UNIT.



## Log set guidance:

MODEL	LOG LAYOUT/QUANTITY
Tyrell	E800 split log set X 1 (5 logs)
Kiruna	E1030 split log set X 1 (7 logs)
Linnea	E1500 split log set X 1 (8 logs)

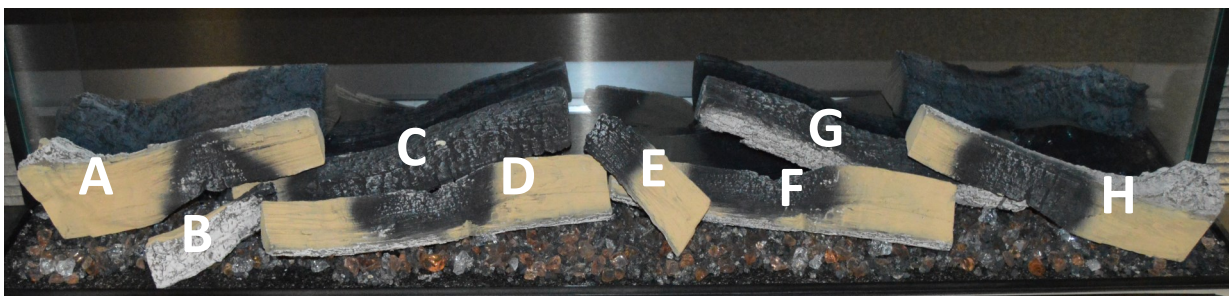
### E800 Split log set X 1



### E1030 Split log set X 1



### E1500 Split log set X 1



## Product Operation:

The features of this fireplace is operated by the **E-Smart** App.

The Fireplace's main standby power switch is located to the top right of the heater outlet, (picture below) It is marked with a light bulb image. To activate the product, this switch must be in the "ON" position.





## Evonic Applications & Connecting



E-Smart  
Kaspars Markvarts • House & Home  
📌 Installed

### E-Smart App

This app is for remote access to your fireplace.



E-Smart Cloud  
Kaspars Markvarts • House & Home  
📌 Installed

### E-Smart Cloud App

This app is for access to your fireplace from anywhere in the world.

## Connecting to your Evonic Fireplace - E-Smart App

1. Access either the Apple app store or Google play, this is depending on the operating system of your smart phone or tablet.
2. Search, locate, and download the app entitled E-Smart. (Fig 1 below) **Do Not open the app**

**\*\*Do not download the E-Smart Cloud app at this time\*\***

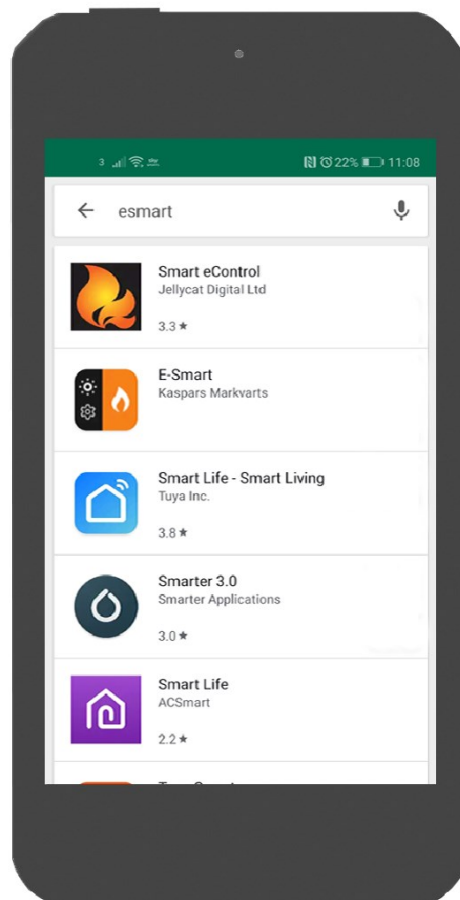


Fig 1

## Connecting to your Evonic Fireplace - E-Smart App cont.

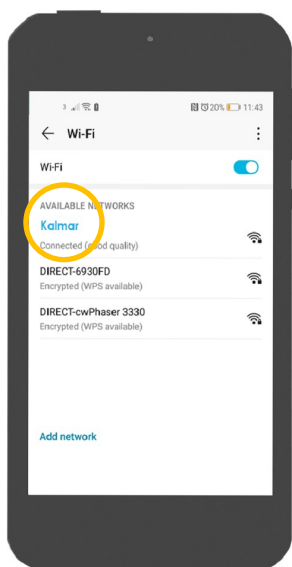


Fig 2.

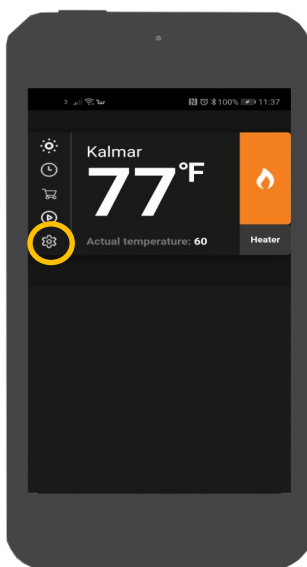


Fig 3.

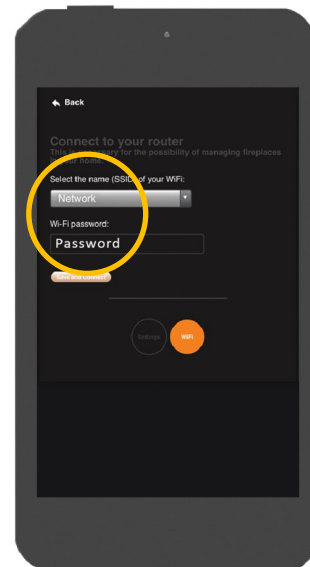


Fig 4.

3. Turn your fireplace on with switch located on the top right underside of the fireplace.
4. Go to the wifi settings on your device and select the fireplace. (Fig 2) This will connect your device to the fire.
5. Open your E-Smart app and the home screen appears (Fig 3)
6. Click the settings icon (yellow circle Fig 3.) and scroll to the bottom of the screen. Enter your email address and select a password for your account and click save and connect. This will create your account with Evonic Fires.  
(be sure to remember your password for later steps)
7. You will then see a screen to connect to your home wifi. (Fig 4)
8. Select your home wifi from the drop down list, and enter the correct password for your home wifi.  
**\*\*Be sure your password is correct before saving. Click the eye icon, to see what was typed, to double check accuracy prior to saving\*\***

**The pairing process between your device and the fire and your router will now take place. This may take a few minutes, and when the app shows "Redirect" you may see lighting on your fire change color. This is normal and signifies your fire is paired to your home router**

## E-Smart App Control Overview:



A). **Target Temperature**—This displays the desired room temperature.

B). **Temperature Control**— Temperature adjustor. Press, hold and swipe to adjust.

C). **Animation setting**— Displays selected animation. Single press arrow to reveal drop-down menu.

D). **Side Lights**— Single press to turn on side lights.

E). **Lighting**—Single press to turn on/off the fuel, flame & overbed lighting.

F). **Flame Lighting**— Slide left to darken or right to brighten.

G). **Fuel-bed Lighting**— Slide left to darken or right to brighten.

H). **Speed**— Single press to adjust the speed of selected animation.

## Connecting to your Evonic Fireplace - E-Smart Cloud App

1. Access either the Apple app store or Google play, this is depending on the operating system of your smart phone or tablet.
2. Search, locate, and download the app E-Smart Cloud.
3. Enter your email and password you used for the E-Smart App sign up (from page 35, step 5)
4. You will be brought to the home page (Fig 5), From there you can start controlling your fireplace. (Fig 6)

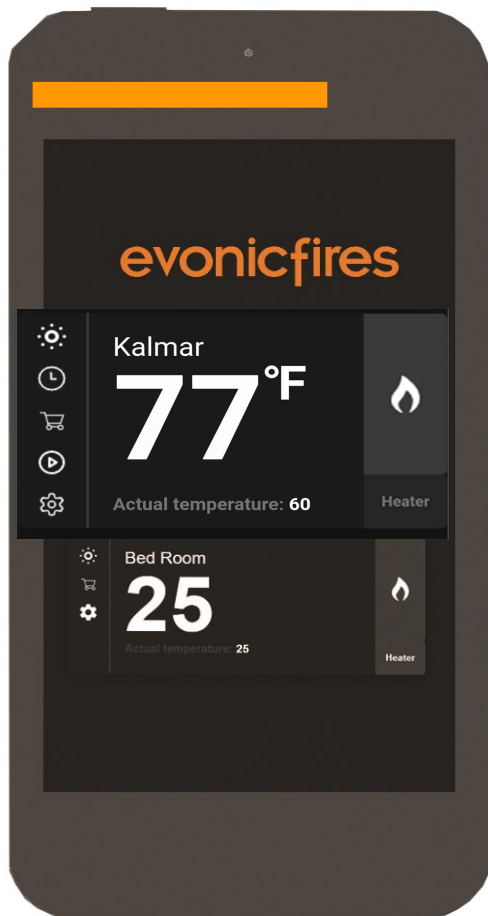


Fig 5.

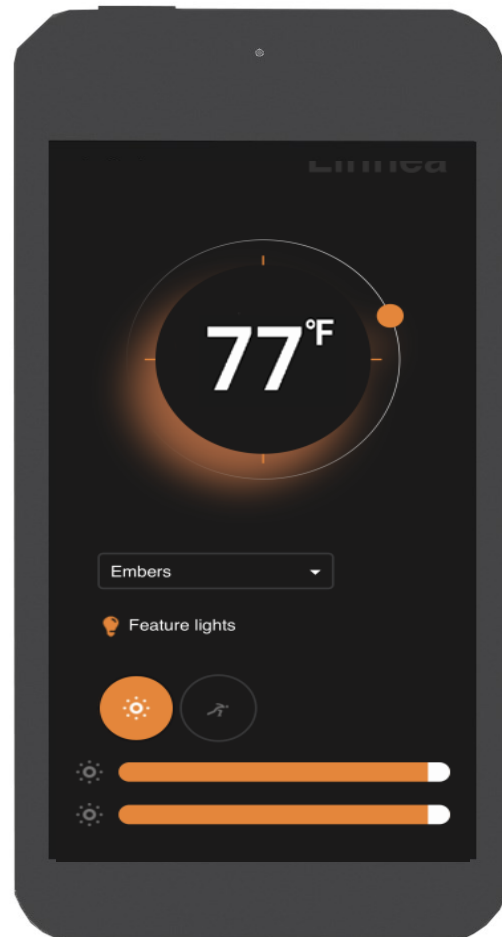


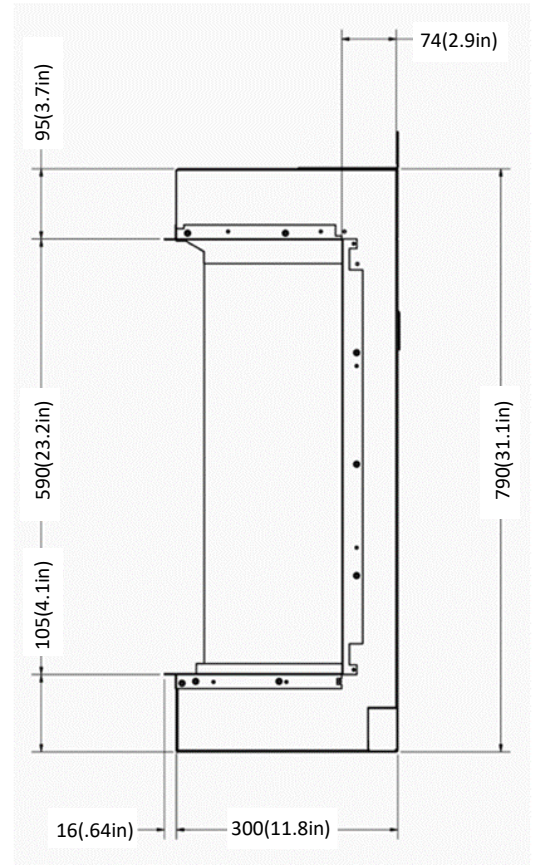
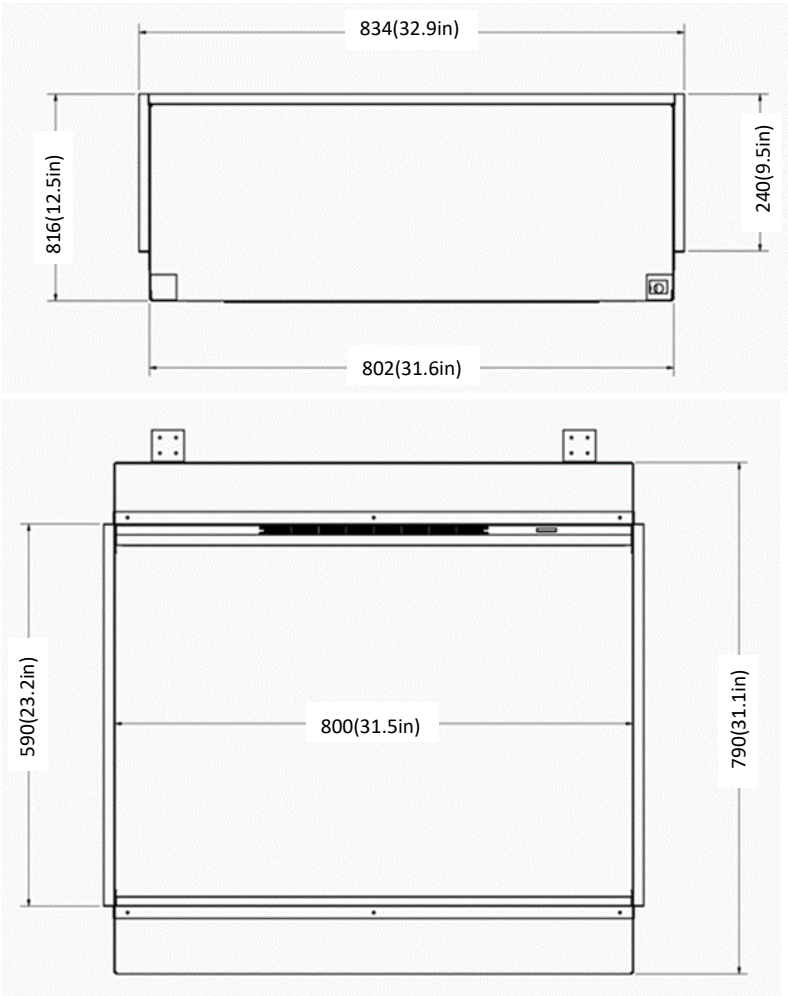
Fig 6.

## E-Smart Cloud App Overview



- A). **Target Temperature**—This displays the desired room temperature.
- B). **Temperature Control**— Temperature adjustor. Press, hold and rotate to adjust.
- C). **Animation setting**— Displays selected animation. Single press arrow to reveal drop-down menu.
- D). **Side Lights**— Single press to turn on side lights.
- E). **Main Lighting**—Single press to adjust fuel, flame & overbed lighting.
- F). **Flame**— Slide left or right to adjust brightness of flame.
- G). **Fuel**— Slide left or right to adjust brightness of fuel bed.
- H). **Speed**— Single press to adjust the speed of selected animation.

# Tyrell Specification: 3-Sided

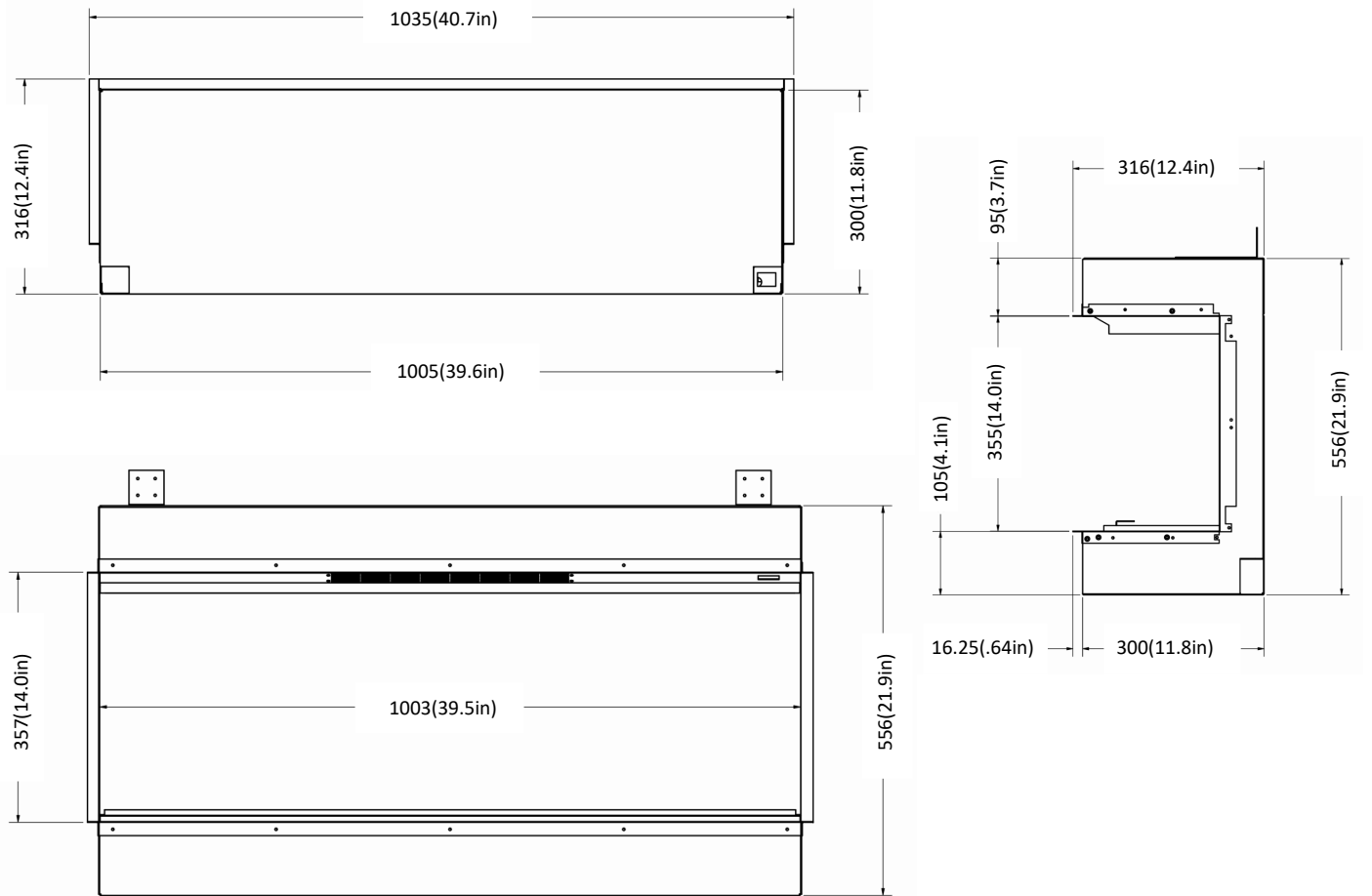


MODEL	HEIGHT	WIDTH	DEPTH
<b>TYRELL</b>	31 1/8"	31 9/16"	11 13/16"
	790mm	802mm	300mm

<b>FIRE MEDIA</b>	<b>QUANTITY</b>
<i>Glass—Amber &amp; Clear</i>	<i>X1 EACH</i>
<i>Vermiculite</i>	<i>X1</i>

<b>BOXED WEIGHT</b>	<b>UNBOXED WEIGHT</b>
50KG (110 lbs)	39.55KG (87 lbs)

# Kiruna Specification: 3-Sided



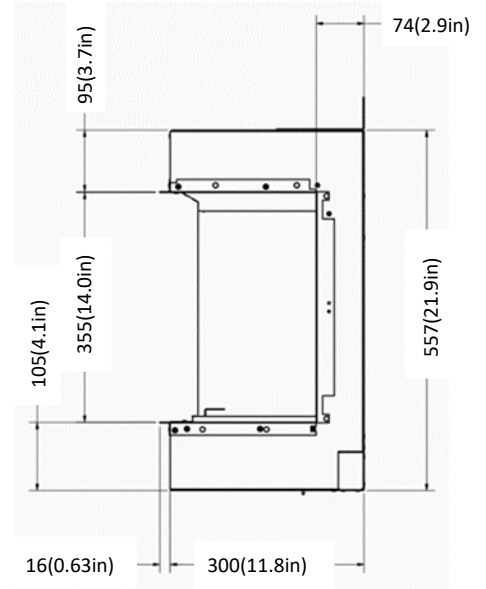
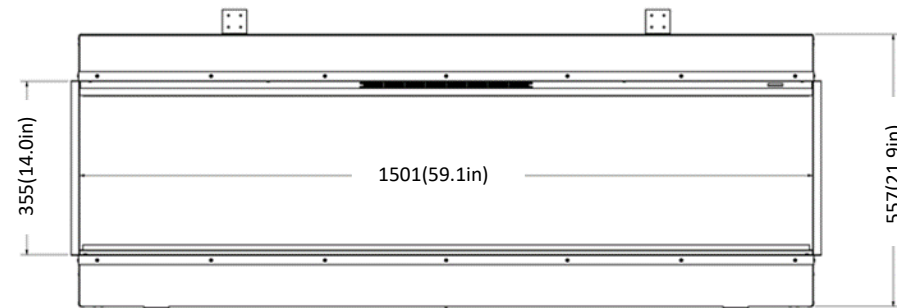
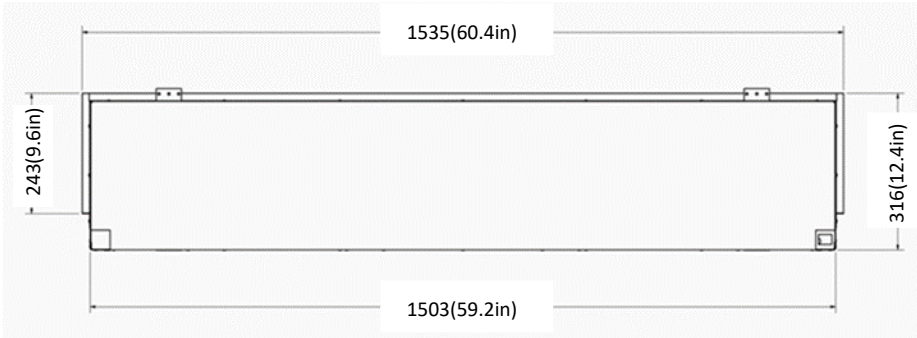
MODEL	HEIGHT	WIDTH	DEPTH
<b>KIRUNA</b>	21 7/8"	39 9/16"	11 13/16"
	556mm	1005mm	300mm

<b>FIRE MEDIA</b>	<b>QUANTITY</b>
<i>Glass—Amber &amp; Clear</i>	<i>X2 EACH</i>
<i>Vermiculite</i>	<i>X4</i>

<b>BOXED WEIGHT</b>	<b>UNBOXED WEIGHT</b>
46KG (101 lbs)	35.55KG (78 lbs)



# Linnea Specification: 3-Sided



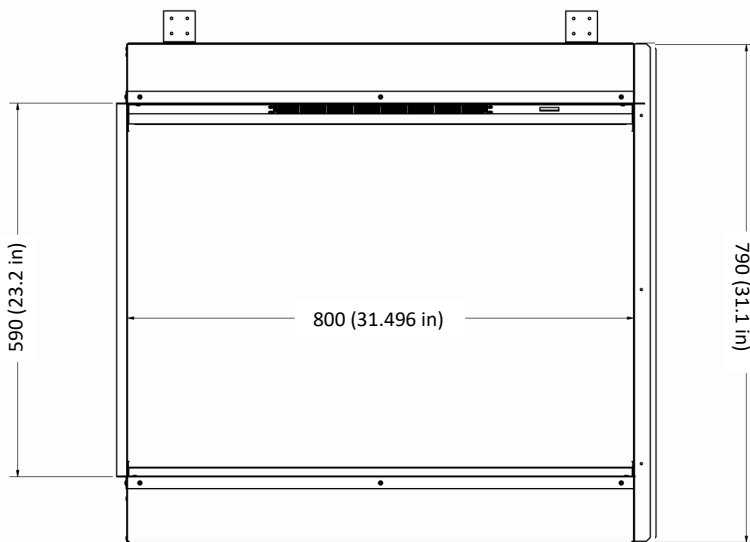
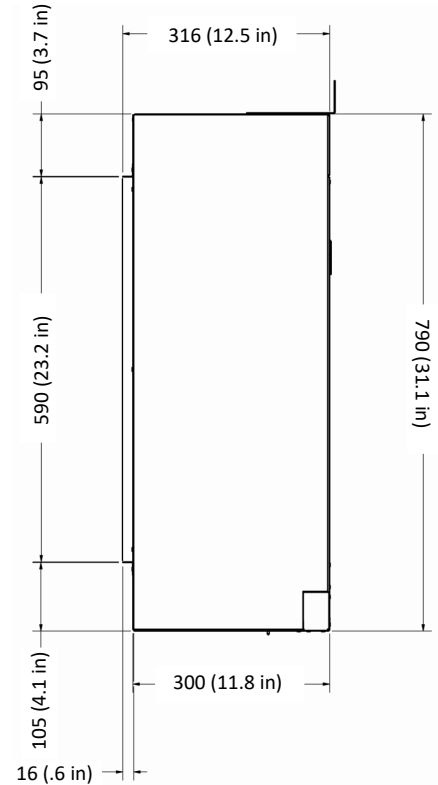
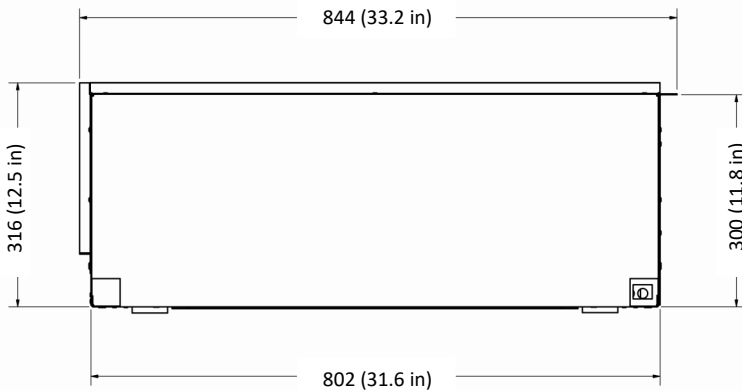
MODEL	HEIGHT	WIDTH	DEPTH
<b>LINNEA</b>	21 15/16"	59 3/16"	11 13/16"
	557mm	1503mm	300mm

<b>FIRE MEDIA</b>	<b>QUANTITY</b>
<i>Glass—Amber &amp; Clear</i>	<i>X3 EACH</i>
<i>Vermiculite</i>	<i>X6</i>

<b>BOXED WEIGHT</b>	<b>UNBOXED WEIGHT</b>
64KG (141 lbs)	53.55KG (119 lbs)



# Tyrell Specification: 2-Sided

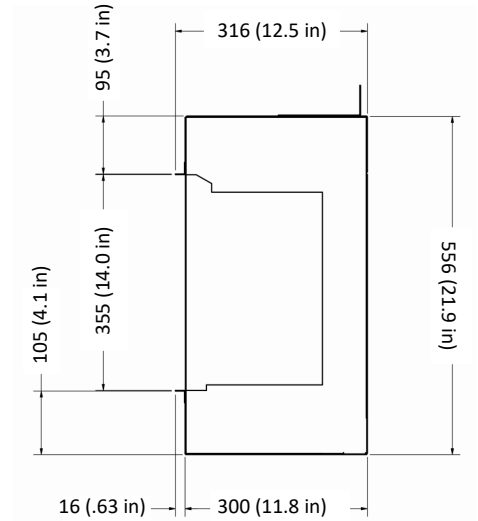
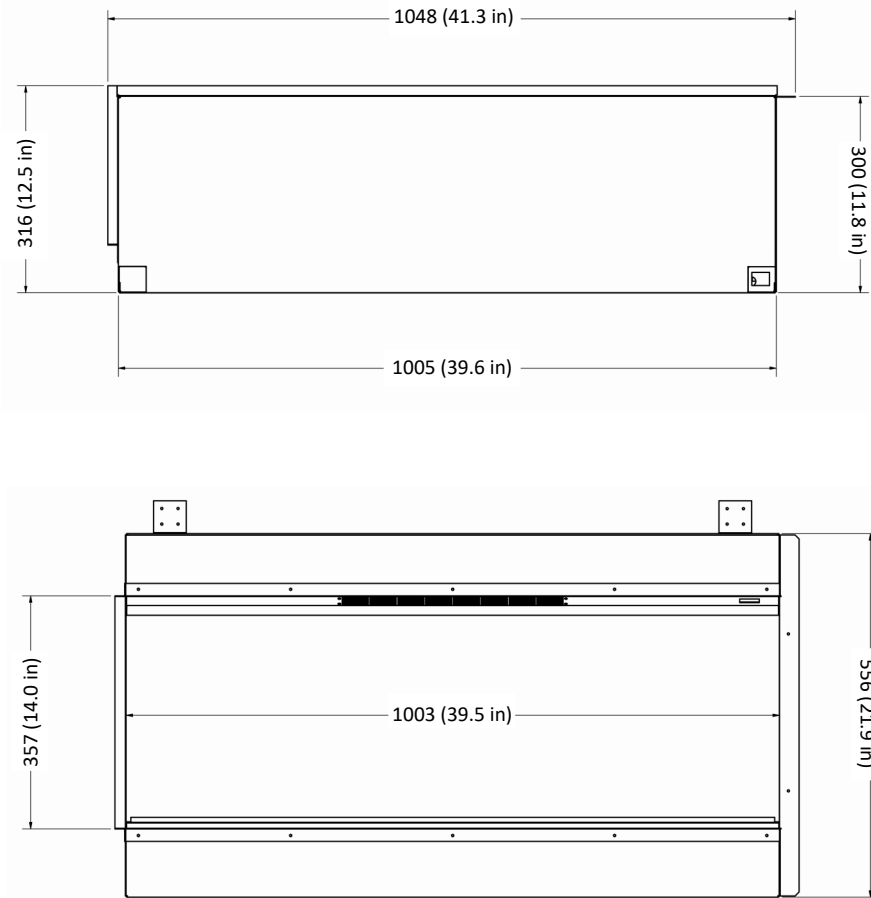


MODEL	HEIGHT	WIDTH	DEPTH
<b>TYRELL</b>	31 1/8"	31 9/16"	11 13/16"
	790mm	802mm	300mm

<b>FIRE MEDIA</b>	<b>QUANTITY</b>
<i>Glass—Amber &amp; Clear</i>	<i>X1 EACH</i>
<i>Vermiculite</i>	<i>X1</i>

<b>BOXED WEIGHT</b>	<b>UNBOXED WEIGHT</b>
50KG (110 lbs)	39.55KG (87 lbs)

# Kiruna Specification: 2-Sided

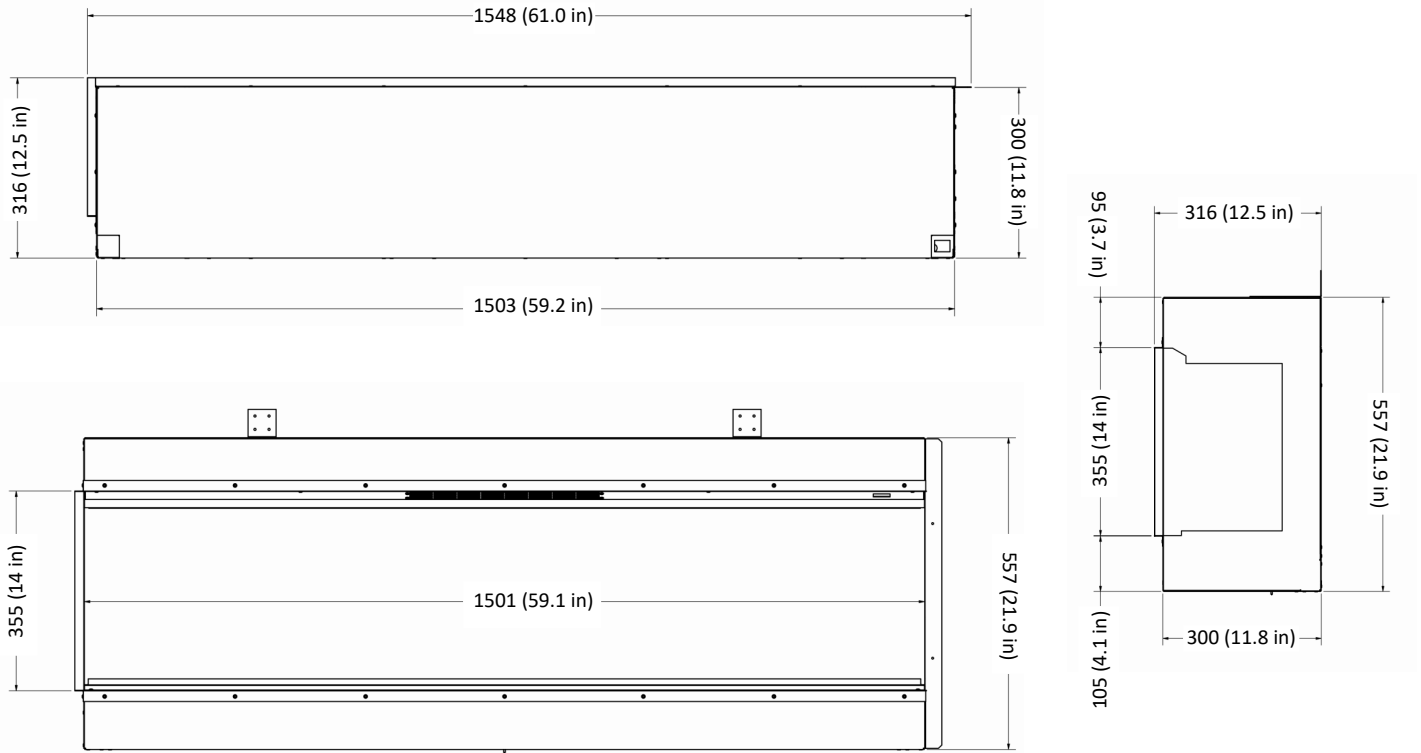


MODEL	HEIGHT	WIDTH	DEPTH
<b>KIRUNA</b>	21 7/8"	39 9/16"	11 13/16"
	556mm	1005mm	300mm

<b>FIRE MEDIA</b>	<b>QUANTITY</b>
<i>Glass—Amber &amp; Clear</i>	<i>X2 EACH</i>
<i>Vermiculite</i>	<i>X4</i>

<b>BOXED WEIGHT</b>	<b>UNBOXED WEIGHT</b>
46KG (101 lbs)	35.55KG (78 lbs)

# Linnea Specification: 2-Sided

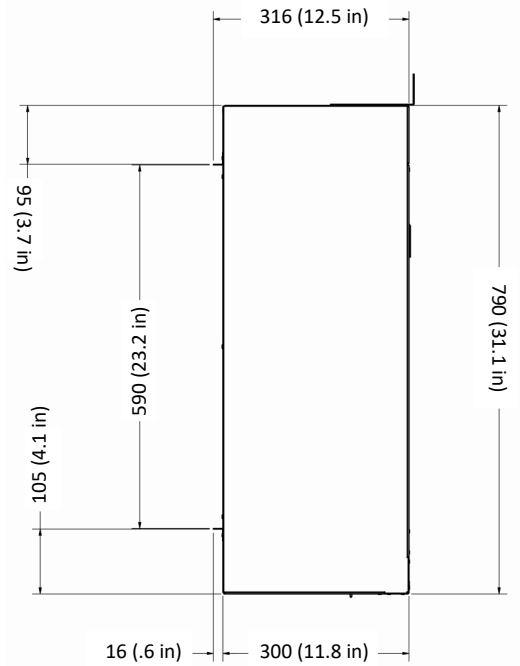
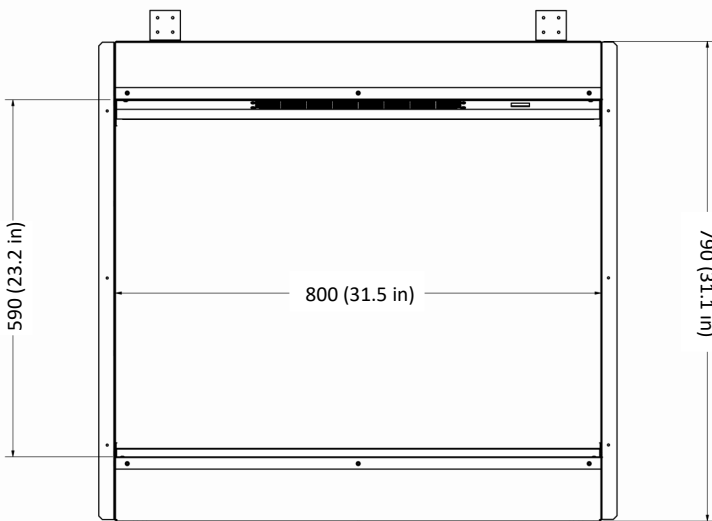
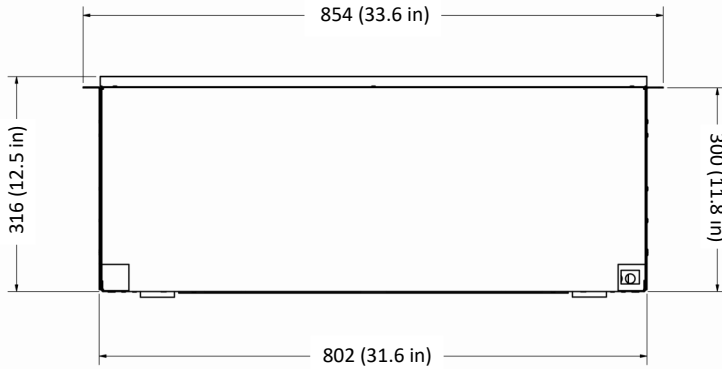


MODEL	HEIGHT	WIDTH	DEPTH
<b>LINNEA</b>	21 15/16"	59 3/16"	11 13/16"
	557mm	1503mm	300mm

<b>FIRE MEDIA</b>	<b>QUANTITY</b>
<i>Glass—Amber &amp; Clear</i>	<i>X3 EACH</i>
<i>Vermiculite</i>	<i>X6</i>

<b>BOXED WEIGHT</b>	<b>UNBOXED WEIGHT</b>
64KG (141 lbs)	53.55KG (119 lbs)

# Tyrell Specification: Single-Sided

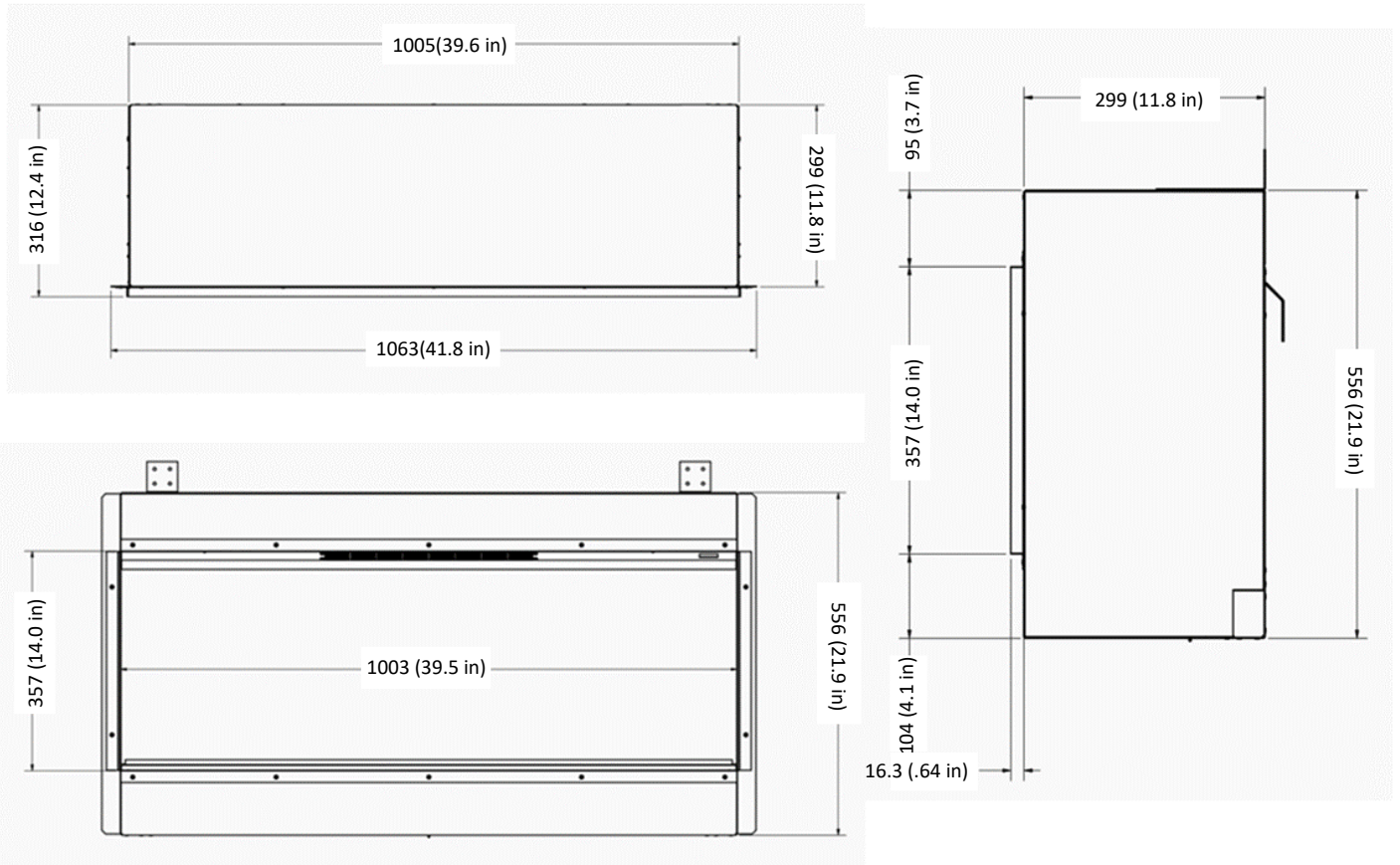


MODEL	HEIGHT	WIDTH	DEPTH
<b>TYRELL</b>	31 1/8"	31 9/16"	11 13/16"
	790mm	802mm	300mm

<b>FIRE MEDIA</b>	<b>QUANTITY</b>
<i>Glass—Amber &amp; Clear</i>	<i>X1 EACH</i>
<i>Vermiculite</i>	<i>X1</i>

<b>BOXED WEIGHT</b>	<b>UNBOXED WEIGHT</b>
50KG (110 lbs)	39.55KG (87 lbs)

# Kiruna Specification: Single-Sided

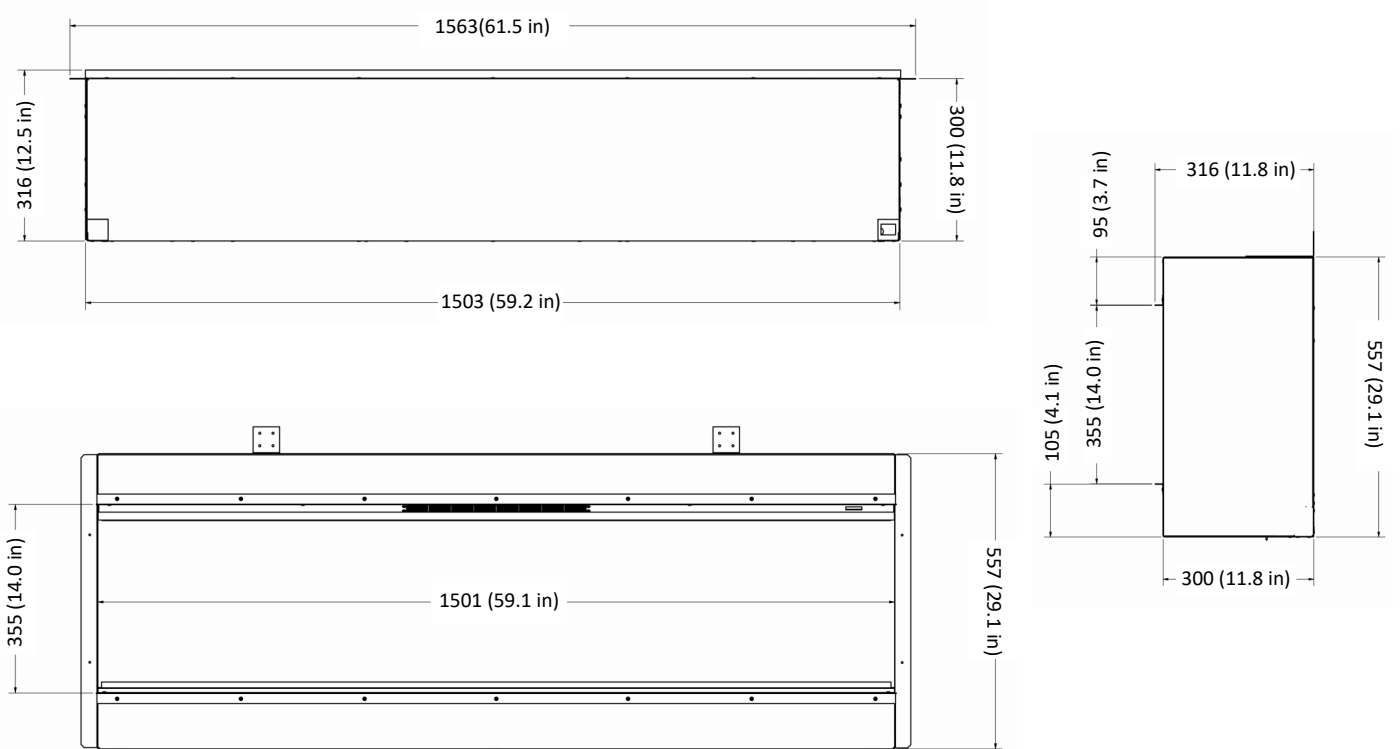


MODEL	HEIGHT	WIDTH	DEPTH
<b>KIRUNA</b>	21 7/8"	39 9/16"	11 13/16"
	556mm	1005mm	300mm

<b>FIRE MEDIA</b>	<b>QUANTITY</b>
<i>Glass—Amber &amp; Clear</i>	<i>X2 EACH</i>
<i>Vermiculite</i>	<i>X4</i>

<b>BOXED WEIGHT</b>	<b>UNBOXED WEIGHT</b>
46KG (101 lbs)	35.55KG (78 lbs)

# Linnea Specification: Single-Sided



MODEL	HEIGHT	WIDTH	DEPTH
<b>LINNEA</b>	21 15/16"	59 3/16"	11 13/16"
	557mm	1503mm	300mm

FIRE MEDIA	QUANTITY
<i>Glass—Amber &amp; Clear</i>	<i>X3 EACH</i>
<i>Vermiculite</i>	<i>X6</i>

BOXED WEIGHT	UNBOXED WEIGHT
64KG (141 lbs)	53.55KG(119 lbs)

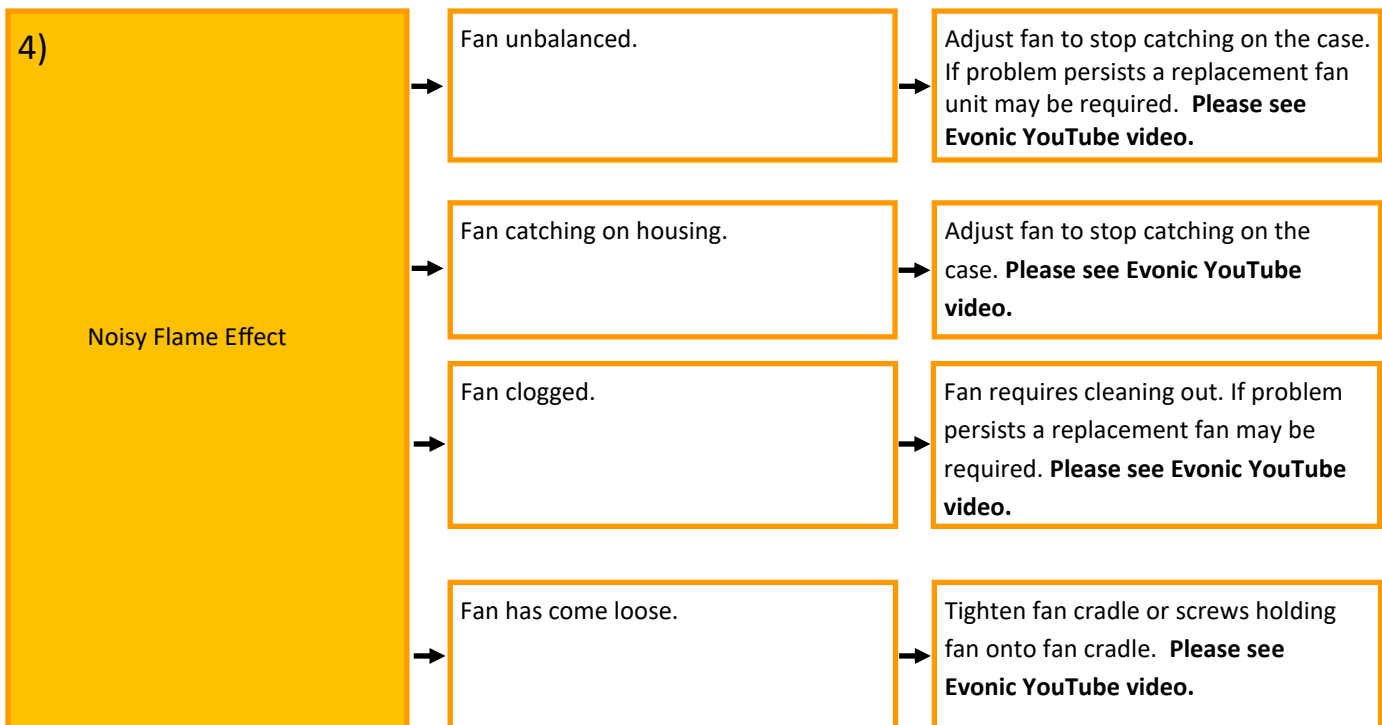
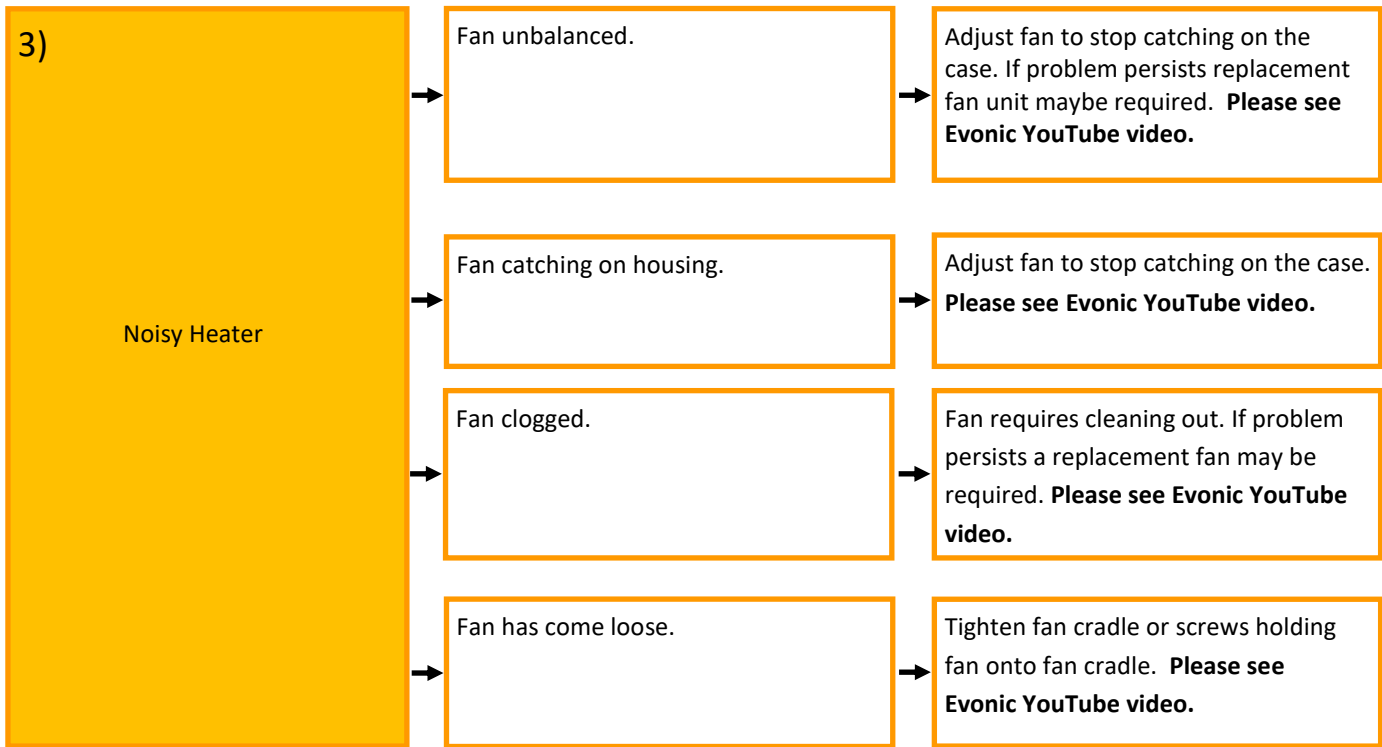
**Problem**

**Possible Cause**

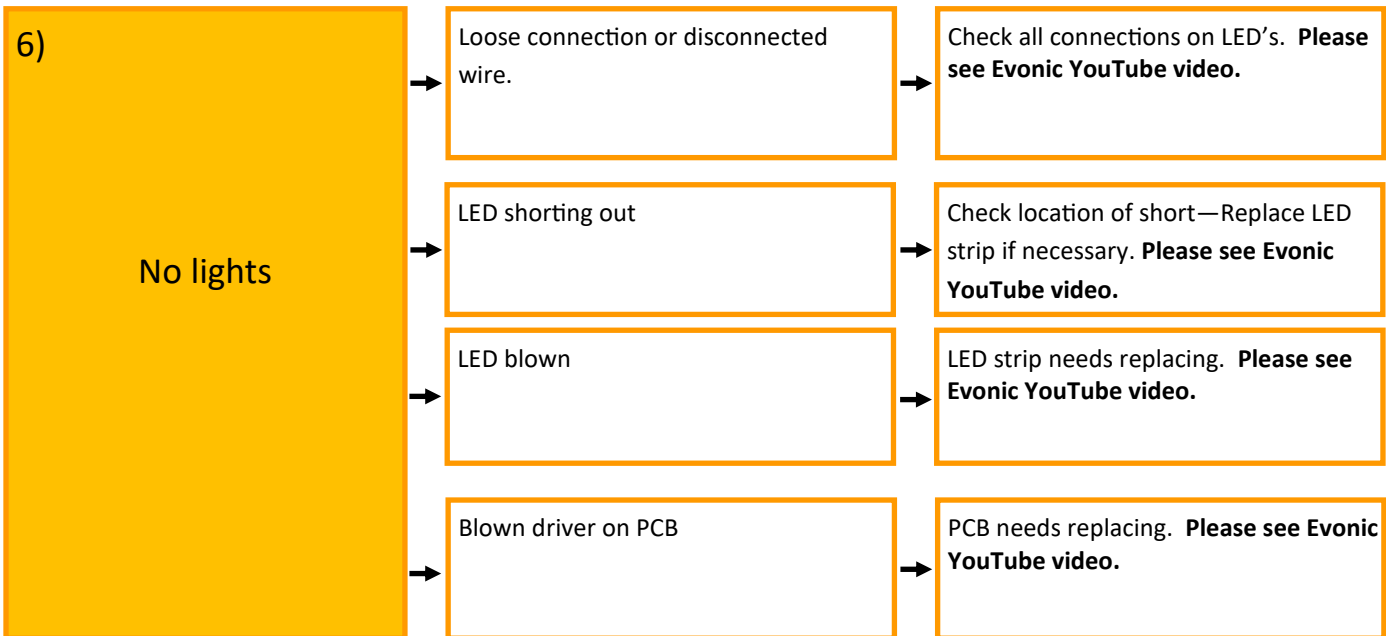
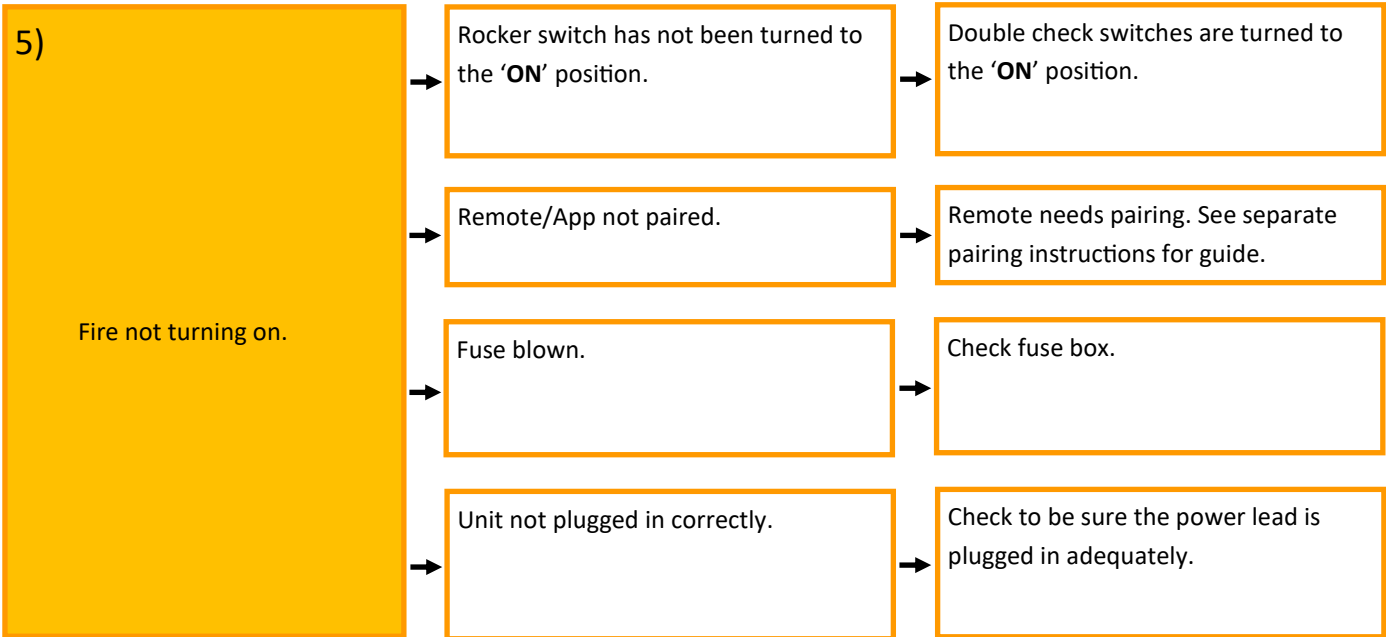
**Solution**

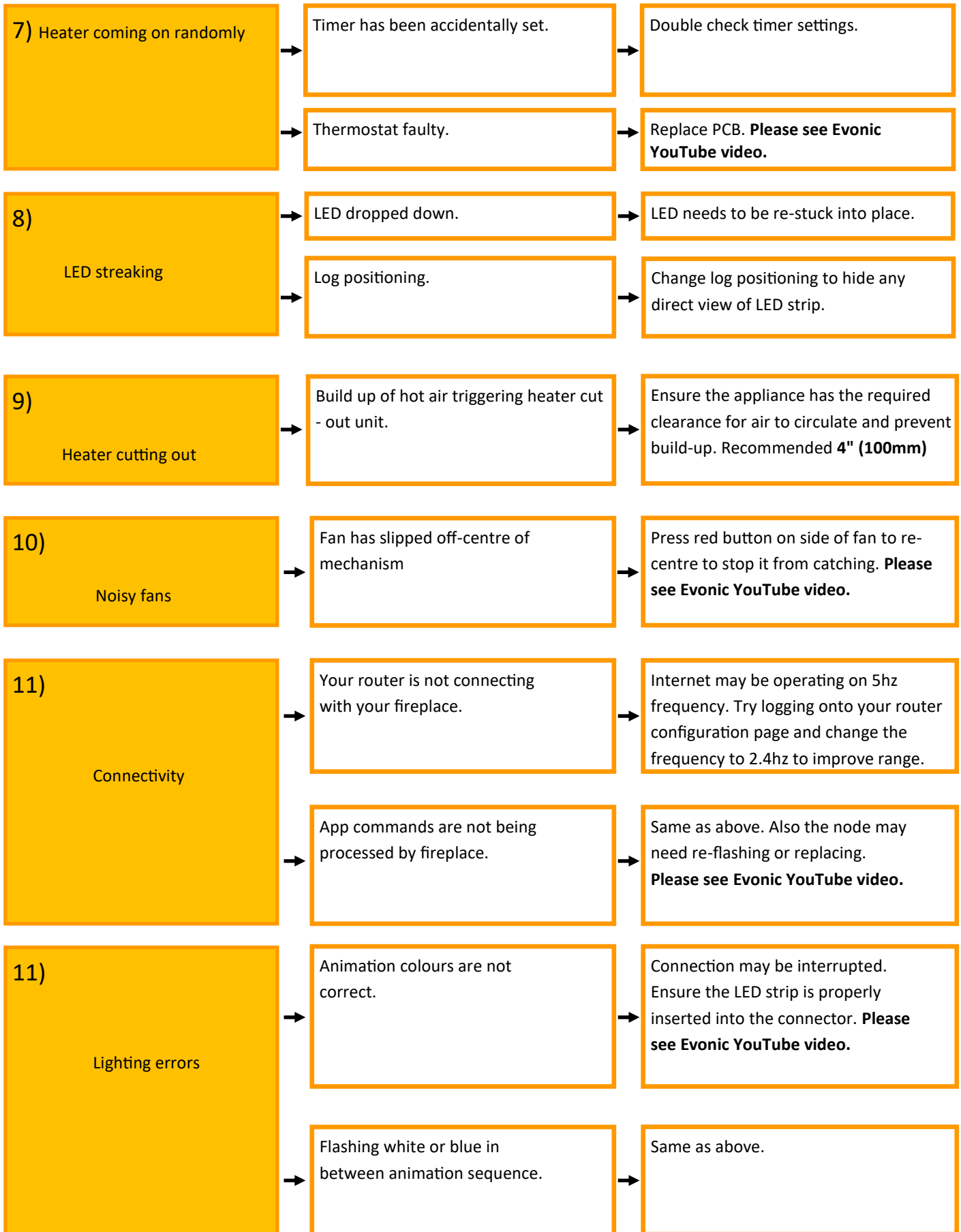
1)  Flames not working correctly	→	Ribbons are statically connected to glass.	→	Spray some anti-static spray beneath the tray. <b>Please note: If this product is freshly installed, please leave running for 20 minutes so ribbons can loosen.</b>
	→	Installation airflow restricted.	→	Check the correct clearance has been adhered to when installing— Recommended clearance is <b>4"(100mm)</b>
	→	Blower clogged.	→	Fan requires cleaning out. <b>Please see Evonic YouTube video.</b>
	→	Slow fan.	→	Fan requires cleaning out. If problem persists, replacement fan may be required. <b>Please see Evonic YouTube video.</b>

2)  Heater blowing cold	→	Possible installation gaps/Chimney not adequately blocked off.	→	Chimney may not be fully blocked. Correct clearance has not been adhered to— <b>4"(100mm)</b>
	→	Fan clogged.	→	Heater fan requires cleaning out. <b>Please see Evonic YouTube video.</b>
	→	Faulty element.	→	Replace element. <b>Please see Evonic YouTube video.</b>
	→	Slow fan.	→	Check fan placement. If problem persists replacement fan may be required. <b>Please see Evonic YouTube video.</b>









# Pairing with Alexa:



1. Once you fireplace is installed and fully functioning, download the Amazon Alexa app.
2. Configure your Alexa device with the Amazon app by adding device.
3. On the home screen, you will see a menu icon in the top left hand side. Single press to open the menu and select 'skills and games'
4. Once open, in the top right corner search 'e-smart' and the below skill option will appear. **Fig 1.**
5. Single press to select skill, which will then open up the below page. **Fig 2.**
6. Once you press '**ENABLE TO USE**', you will be directed to the evonet page.
7. Please input the evonet account details you registered earlier in the e-smart app setup and wait for the page to indicate you have been successfully linked.
8. Then turn the fire off and back on at the rocker switch.
9. To complete pairing, ask Alexa to '**discover devices**'

**To add more than one fireplace please repeat this step.**

## Search

evonic

1 Result

Sort: Relevance ▾



Evonicfires Halo  
*'Alexa, turn on fireplace'*  
Smart Home

★★★★★ 0

## Evonicfires Halo

CK Fires

Rated: Guidance Suggested

★★★★★ 0



**ENABLE TO USE**



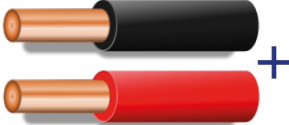

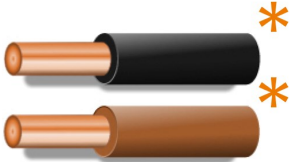

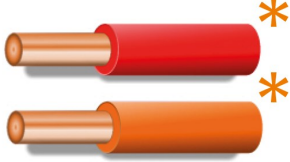

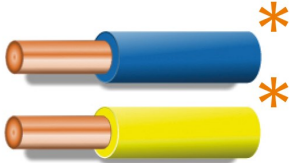

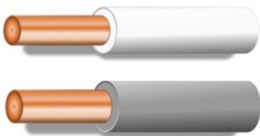

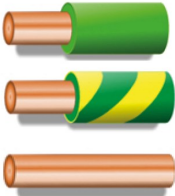

Account linking required

# Alexa Commands:

Please note: For the purposes of instruction we are referring to your appliance as 'fire'. You will need to refer to whatever name has been designated on your e-smart app. This may be the model of the fire, or you may have changed name of your fire.

1. Turning appliance ON or OFF - *'Alexa, turn fire **on**'*  
*'Alexa, turn fire **off**'*
2. Turning heater ON or OFF - *'Alexa, set fire heater to auto'*  
*'Alexa, set fire heater to **off**'*
3. Changing temperature - *'Alexa, set temperature to **75** degrees'*  
*(Please note: Alexa will only change temperature between **50°F & 90°F**)*  
*'Alexa, make it cooler in there' (decrease 3°)*  
*'Alexa, make it warmer in there' - (increase 3°)*
4. Animation selection - *'Alexa, set animation to **still**'*  
*'Alexa, set animation to **breathe**'*  
*'Alexa, set animation to **spectrum**'*  
*'Alexa, set animation to **embers**'*  
*'Alexa, set animation to **odyssey**'*  
*'Alexa, set animation to **aurora**'*

## COLOR CODING FOR INTERNATIONAL WIRING:

evonicfires		
Single phase line (L1)		
3-phase line (L1)		
3-phase line (L2)		
3-phase line (L3)		
Neutral (N)		
Protective ground/Earth (PG,PE)		

+ Use this colour in case of second hot (active)

\* These colours are not required by the NEC, but have been adopted as local practice

### **Conditions of warranty:**

If this appliance should prove to be defective due to faulty design, materials or workmanship within 12 months of purchase, the product will be repaired or parts will be provided, subject to the following conditions:

The electric fire shall be purchased for domestic purposes and in accordance with the Users operating instructions.

It is the purchasers responsibility to prove that the unit is under warranty, e.g. receipt of purchase.

All warranties, will be invalidated if unauthorised repairs or modifications are made to the electric fire, or in case of accident, misuse or damage caused by improper installation, or to damage occurring during transit to or from the repairer and altered or missing serial numbers.

Any parts, which have been replaced under this warranty, shall become our property.

The company shall not be liable for any consequential loss or damage what so ever, arising from or in connection with this electric fire.

This Warranty does not apply to Heating elements, Bulbs or fuses.

This warranty is in addition to and does not affect the purchasers statutory rights of consumers.



EuropeanHome