



# European Home

**INSTRUCTIONS MUST BE KEPT AFTER INSTALLATION  
FOR FUTURE MAINTENANCE**

Models— E810/E32H/E40/E60/E72/E1560



## **Important Safety Information**

Always read this manual first before attempting to install or use this fireplace. For your safety, always comply with all warnings and safety Instructions contained in this manual to prevent personal injury or property damage.

**Please Note:** Once your European Home product has been installed and switched to the **ON** position, the fire will instantly flash. This is normal operating procedure, simply indicating that there is power running to the fire and **NOT** a fault.

**SERIAL NUMBER LABEL**

# **Contents**

1.	Introduction	<b>2</b>
2.	Electrical Safety	<b>3/4</b>
3.	Installation Requirements	<b>5</b>
4.	Installation Method	<b>6/9</b>
5.	Glass Removal	<b>10/11</b>
6.	Side Conversion Panels	<b>12/15</b>
7.	E-Touch & App Interface	<b>16</b>
8.	Log guidance	<b>17/18</b>
9.	Product operation	<b>19</b>
10.	Technical Specification	<b>20/37</b>
11.	Problem Solving	<b>38/41</b>
12.	E-tab & App Pairing	<b>42/50</b>
13.	Warranty	<b>48</b>

This guide is designed to aid in the installation and continued performance of this product. This product conforms with all health, safety, and environmental protection standards as indicated by a CE mark. For optimum performance this product requires a well-insulated location and indoor use.

## **ELECTRICAL SAFETY:**

**When using electrical appliances, basic precautions should always be followed to reduce the risk of fire, electric shock, and injury to persons, including the following:**

- 1.** Read all instructions before using this electric fireplace.
- 2.** This fireplace is hot when in use. To avoid burns, do not let bare skin touch hot surfaces. The trim around the heater outlet becomes hot during heater operation. DANGER: High temperatures may be generated under certain abnormal conditions. Do not partially or fully cover or obstruct the front of this heater.
- 3.** Extreme caution is necessary when any heater is used by or near children or people of reduced mobility and whenever the unit is left operating and unattended.
- 4.** Young children should be supervised to ensure that they do not play with the appliance.
- 5.** The appliance is not intended for use by young children or infirmed persons without supervision.
- 6.** In the event of a malfunction, disconnect power at the service panel and have the unit inspected by a reputable electrician before reusing.
- 7.** If the power cord is damaged, it must be replaced by the manufacturer, or its service agent, or a qualified person in order to avoid a hazard.
- 8.** Do not use outdoors.
- 9.** Never locate fireplace where it may fall into a bathtub or other water container.
- 10.** To disconnect the fireplace, turn the controls off, and turn off power to heater circuit at main electrical panel.
- 11.** Do not run the cord under carpeting. Do not cover cord with throw rugs, runners, or the like. Arrange cord away from traffic area and where it will not be tripped over.
- 12.** Do not locate the heater immediately below a fixed socket-outlet.

- 13.** Do not insert or allow foreign objects to enter any ventilation or exhaust opening as this may cause an electric shock or fire, or damage to the heater.
- 14.** To prevent a possible fire, do not block air intakes or exhaust in any manner.
- 15.** All electrical heaters have hot and arcing or sparking parts inside. Do not use in areas where gasoline, paint, or flammable liquids are used or stored.
- 16.** Use this fireplace only as described in this manual. Any other use not recommended by the manufacturer may cause fire, electric shock or injury to persons.
- 17.** Do not change the plug in any way. Always plug heaters directly into a wall outlet/receptacle. Never use with an extension cord or relocatable power tap (outlet/power strip).
- 18.** Do not burn wood or other materials in the electric fireplace.
- 19.** Do not strike the fireplace glass.
- 20.** Always use a certified electrician should new circuits or outlets be required.
- 21.** Always use properly grounded, fused and polarized outlets.
- 22.** Disconnect power supply before performing any cleaning, maintenance or relocation of the unit.
- 23.** When transporting or storing the unit and cord, keep in a dry place, free from excessive vibration and store to avoid damage.

**NOTE: Changes or modifications not expressly approved by the party responsible for compliance could void warranty.**

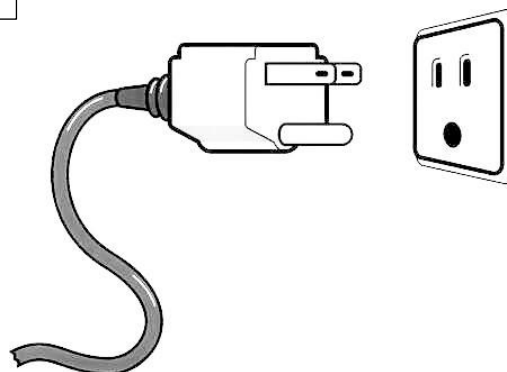
## INSTALLATION REQUIREMENTS:

### Review and consider all the following conditions before installation:

Ensure installation does not allow the electric fireplace to be in direct contact with building vapor barrier or insulation and meets all local building code. A 15 Amp, 120 Volt circuit is required. A dedicated circuit is preferred but not essential in all cases. A dedicated circuit will be required if, after installation, the circuit breaker trips or fuse blows on a regular basis when the heater is operating. Additional appliances on the same circuit may exceed the current rating of the circuit breaker.

Ensure the power cord is not installed so that it is pinched or against a sharp edge and ensure that the power cord is stored or secured to avoid tripping or snagging to reduce the risk of fire, electric shock or injury to persons. Construction and electrical outlet wiring must comply with local building codes and other applicable regulations to reduce the risk of fire, electric shock and injury to persons.

Fig 1.



**WARNING:** To reduce the risk of fire, do not store or use gasoline or other flammable vapors or liquids in the vicinity of the heater.

1. Select a location that is not susceptible to moisture and is away from drapes, furniture and high traffic.
2. For ease of electrical hook up you may wish to locate the fireplace near an existing outlet (for plug-in convenience).
3. Remove electric fireplace, front glass and hardware from the box and remove all packaging materials before installation.
4. Store the fireplace in a safe, dry and dust free location until you are ready to install the fireplace.

### Grounding Instructions:



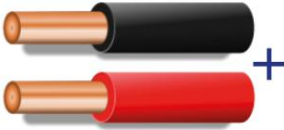





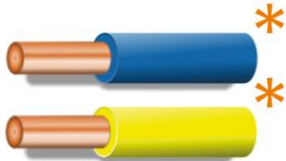

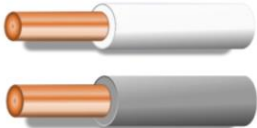

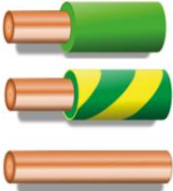

This product must be grounded. If it should malfunction or breakdown, grounding provides a path of least resistance for electric current to reduce the risk of electric shock.

This product is equipped with a cord having an equipment-grounding conductor and a grounding plug. The plug must be plugged into an appropriate outlet that is properly installed and grounded in accordance with all local codes and ordinances.

**DANGER:** Improper connection of the equipment-grounding conductor can result in a risk of electric shock. Check with a qualified electrician or serviceman if you are in doubt as to whether the product is properly grounded. Do not modify the plug provided with the product – if it will not fit the outlet, have a proper outlet installed by a qualified electrician. This product is for use on a nominal 120-volt circuit and has a grounding plug that looks like the plug in **Figure 1**. Make sure that the product is connected to an outlet having the same configuration as the plug.

**WARNING: Do not attempt to wire your own new outlets or circuits. To reduce the risk of fire, electric shock or injury to persons, always use a licensed electrician. PLEASE NOTE: This appliance cannot be wired into a wall and must use the provided cord and a wall outlet.**

## COLOUR CODING FOR INTERNATIONAL WIRING:

evonicfires		
Single phase line (L1)		
3-phase line (L1)		
3-phase line (L2)		
3-phase line (L3)		
Neutral (N)		
Protective ground/Earth (PG,PE)		

⊕ Use this colour in case of second hot (active)

\* These colours are not required by the NEC, but have been adopted as local practice

## **INSTALLATION METHOD:**

**PLEASE NOTE: It is crucial to ensure that the product has a minimum internal clearance directly above and below the product of 4"(100mm), this is to ensure that the product can circulate the required airflow for the heater unit.**

**Any faults as a result of ignoring the installation guidelines will invalidate the warranty.**

This product has been designed to be installed into a plaster board, or existing masonry chimney breast. Please note that any corner style models are not suitable to be installed into an existing chimney breast. Please seek advice from a professional, with reference to the structural integrity of the installation site.

If the product is to be installed into an open chimney or flue, it is important that the chimney/flue is blocked off to prevent any up/down drafts and falling debris which could restrict and alter the airflow to the product.

It is also important to ensure that the product has a minimum internal clearance directly above and below the product of **4" (100MM)**, this is to ensure that the product can circulate the required airflow for the heater unit.

The product should never be sealed into an opening with the use of silicones or adhesives as this can also alter the airflow and hinder any further servicing of the product.

### **Installing Product:**

Each product is supplied complete with one or more wall mounting brackets. (Dependent on Model)

Establish the desired finished height from floor level to the bottom of the plaster kit of the product.

Fix the wall bracket to the wall ensuring to use the correct hardware fixings given the wall construction, Plaster board or Solid Wall.

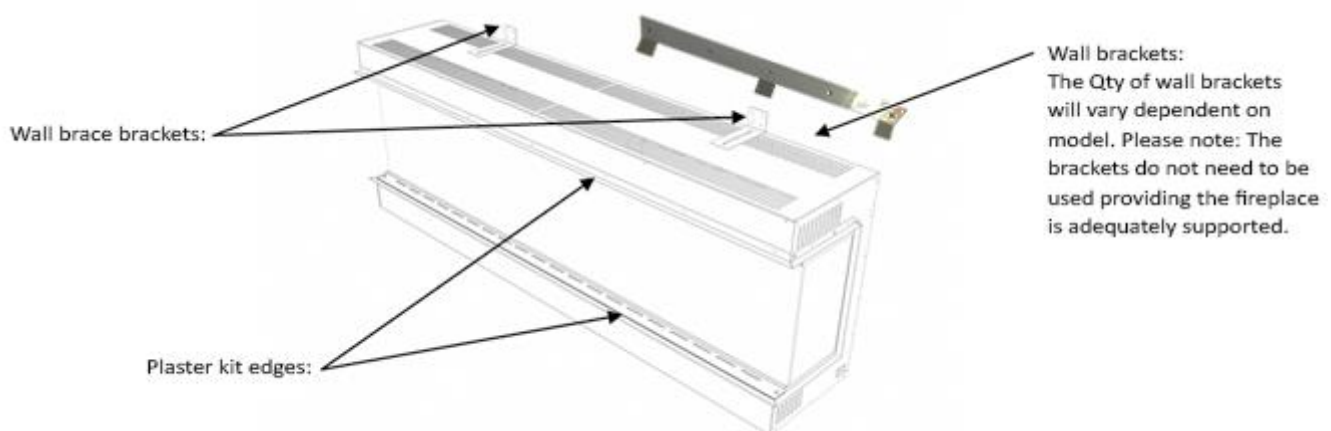
Lift and hook the product onto the wall bracket and secure using the wall brace brackets.

Once the product is secured to the wall and connected to the power supply, the false construction such as plaster board wall or chimney breast can be formed around it.

It is important to allow for the finished face board when setting the depth of the frame construction.

It is essential to include header/Lintel at the required height to ensure the appliance does not support the weight of the finished wall.

Prepare the Cut-Out in the Plasterboard or Finishing Board and install ensuring that the plaster kit edges are fitting to the inside of the Cut-out of the board.



**PLEASE NOTE: Once the product has been fitted into place, please ensure the fire is plugged in and tested to check the fan and ribbons are aligned correctly, and the ribbons are moving freely. It may take up to 20 mins of usage to see proper alignment.**

# 3-SIDED INSTALLATION GUIDE

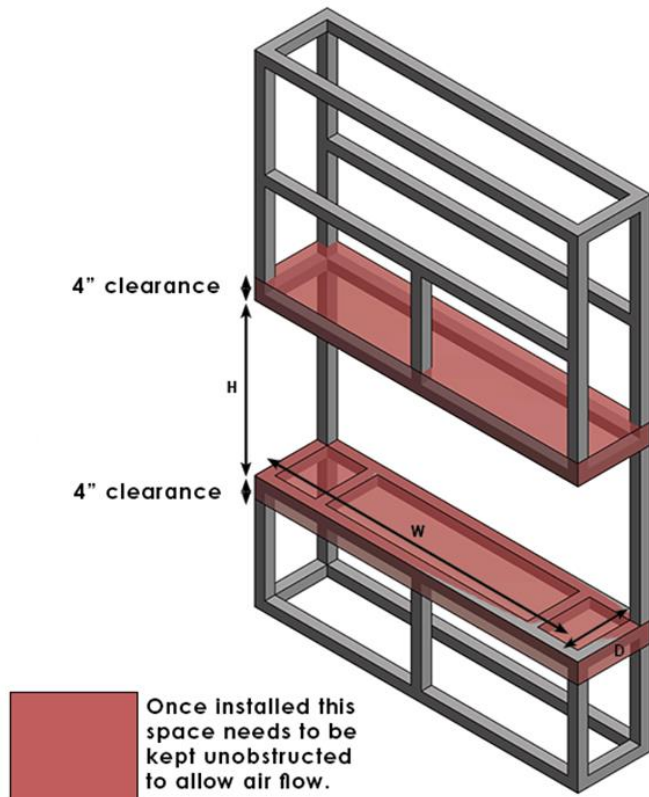
Please note: Measurements do not include drywall flange.

Please refer to spec drawings for full measurements.

## Total Case size

Model	W	D	H
E810	33 3/8" 848mm	12 3/16" 310mm	55 7/16" 1408mm
E32H	33 1/8" 842mm	12 3/16" 310mm	39" 990mm
E40	41 1/8" 1045mm	12 3/16" 310mm	29 3/4" 756mm
E60	60 3/4" 1543mm	12 3/16" 310mm	29 3/4" 757mm
E72	70 5/8" 1792mm	12 3/16" 310mm	31 7/8" 810mm
E1560	60 7/8" 1546mm	12 3/16" 310mm	39 3/4" 1009mm

The above table contains the minimum opening sizes required to house a 3-sided model. This includes the recommended 4" (100mm) air gap above and below. 1 9/16" (40mm) has been added to the width and 3/8" (10mm) to the depth to allow ample space for the fire to fit. Please follow the D & H measurement above and ensure the W is no greater than the width of the chimney breast the product is being installed into.

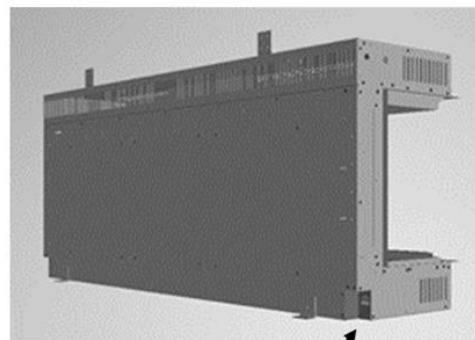


**Adhering to the 4" clearance is crucial to the operation of the fire. This clearance space allows warm air from the case of the fire to escape and stop the unit's heater safety feature from being enabled.**

## Viewable area once installed

Model	W	D	H
E810	31 13/16" 808mm	11 13/16" 300mm	37 11/16" 957mm
E32H	31 9/16" 802mm	11 13/16" 300mm	23 1/3" 357mm
E40	39 1/2" 1003mm	11 13/16" 300mm	23 1/3" 357mm
E60	59 1/4" 1503mm	11 13/16" 300mm	14" 355mm
E72	70" 1792mm	11 13/16" 300mm	16 1/8" 409mm
E1560	59 1/4" 1504mm	11 13/16" 300mm	23 3/4" 605mm

The above table shows the finished sizes once the fire has been installed.



The above image shows the location of the power inlet. Please reference this when constructing the chimney breast.



# 2-SIDED INSTALLATION GUIDE

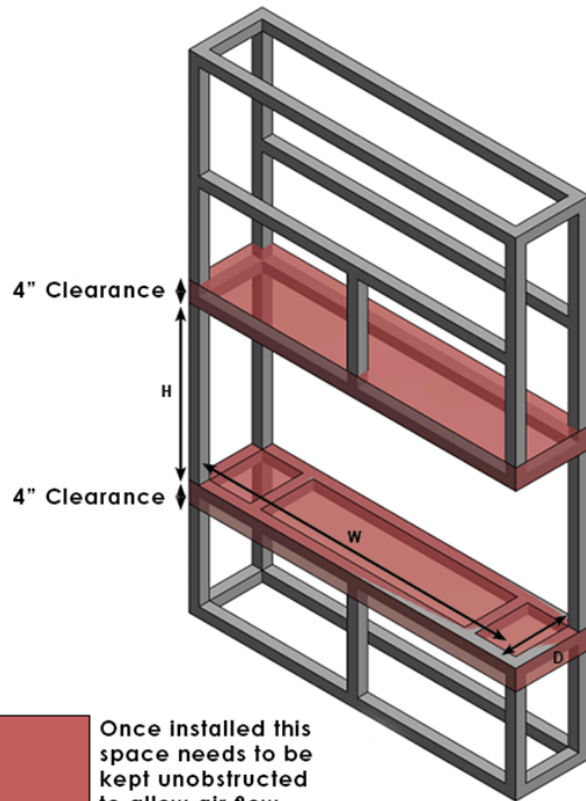
Please note: Measurements do not include drywall flange.

Please refer to spec drawings for full measurements.

## Total Case size

Model	W	D	H
E810	33 3/8" 848mm	12 3/16" 310mm	55 7/16" 1408mm
E32H	33 1/8" 842mm	12 3/16" 310mm	39" 990mm
E40	41 1/8" 1045mm	12 3/16" 310mm	29 3/4" 756mm
E60	60 3/4" 1543mm	12 3/16" 310mm	29 3/4" 757mm
E72	70 5/8" 1792mm	12 3/16" 310mm	31 7/8" 810mm
E1560	60 7/8" 1546mm	12 3/16" 310mm	39 3/4" 1009mm

The above table contains the minimum opening sizes required to house a 2-sided model. This includes the recommended 4" (100mm) air gap above and below. 1 9/16" (40mm) has been added to the width and 3/8" (10mm) to the depth to allow ample space for the fire to fit. Please follow the D & H measurement above and ensure the W is no greater than the width of the chimney breast the product is being installed into.



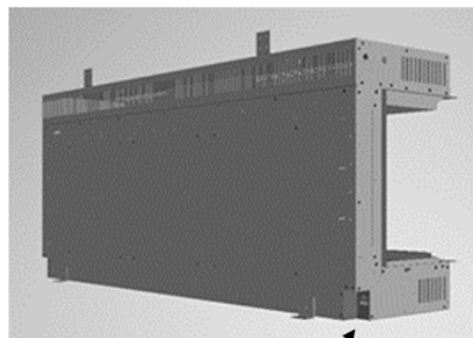
Once installed this space needs to be kept unobstructed to allow air flow.

**Adhering to the 4" clearance is crucial to the operation of the fire. This clearance space allows warm air from the case of the fire to escape and stop the unit's heater safety feature from being enabled.**

## Viewable area once installed

Model	W	D	H
E810	31 13/16" 808mm	11 13/16" 300mm	37 11/16" 957mm
E32H	31 9/16" 802mm	11 13/16" 300mm	23 1/3" 357mm
E40	39 1/2" 1003mm	11 13/16" 300mm	23 1/3" 357mm
E60	59 1/4" 1503mm	11 13/16" 300mm	14" 355mm
E72	70" 1792mm	11 13/16" 300mm	16 1/8" 409mm
E1560	59 1/4" 1504mm	11 13/16" 300mm	23 3/4" 605mm

The above table shows the finished sizes once the fire has been installed.



The above image shows the location of the power inlet. Please reference this when constructing the chimney breast.

# 1-SIDED INSTALLATION GUIDE

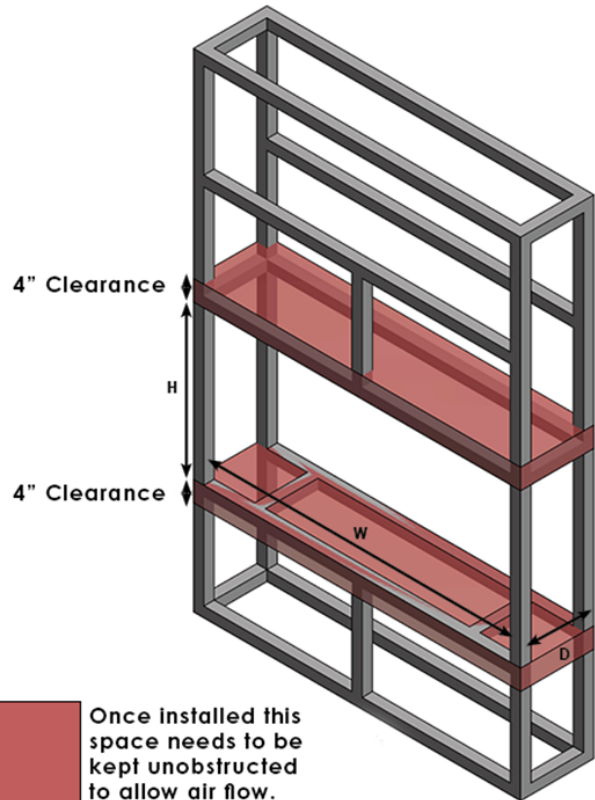
Please note: Measurements do not include drywall flange.

Please refer to spec drawings for full measurements.

## Total Case size

Model	W	D	H
E810	33 3/8" 848mm	12 3/16" 310mm	55 7/16" 1408mm
E32H	33 1/8" 842mm	12 3/16" 310mm	39" 990mm
E40	41 1/8" 1045mm	12 3/16" 310mm	29 3/4" 756mm
E60	60 3/4" 1543mm	12 3/16" 310mm	29 3/4" 757mm
E72	70 5/8" 1792mm	12 3/16" 310mm	31 7/8" 810mm
E1560	60 7/8" 1546mm	12 3/16" 310mm	39 3/4" 1009mm

The above table contains the minimum opening sizes required to house a 1-sided model. This includes the recommended 4" (100mm) air gap above and below. 1 9/16" (40mm) has been added to the width and 3/8" (10mm) to the depth to allow ample space for the fire to fit. Please follow the D & H measurement above and ensure the W is no greater than the width of the chimney breast the product is being installed into.



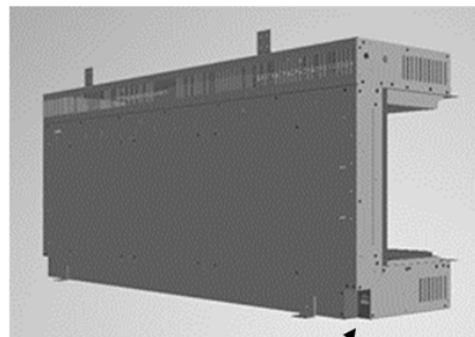
Once installed this space needs to be kept unobstructed to allow air flow.

Adhering to the 4" clearance is crucial to the operation of the fire. This clearance space allows warm air from the case of the fire to escape and stop the unit's heater safety feature from being enabled.

## Viewable area once installed

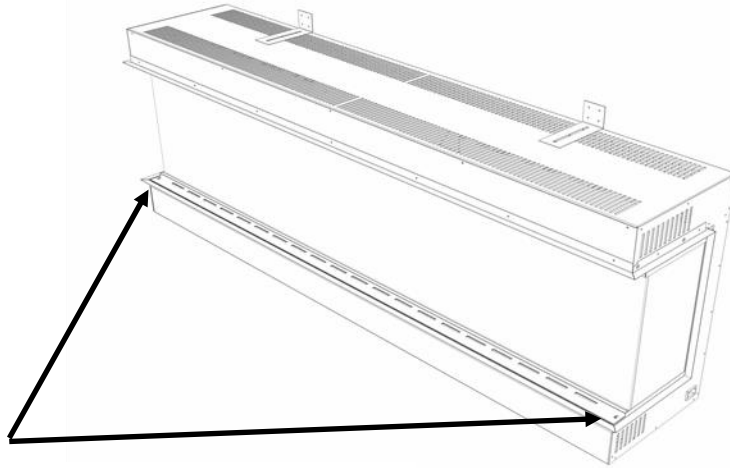
Model	W	D	H
E810	31 13/16" 808mm	11 13/16" 300mm	37 11/16" 957mm
E32H	31 9/16" 802mm	11 13/16" 300mm	23 1/3" 357mm
E40	39 1/2" 1003mm	11 13/16" 300mm	23 1/3" 357mm
E60	59 1/4" 1503mm	11 13/16" 300mm	14" 355mm
E72	70" 1792mm	11 13/16" 300mm	16 1/8" 409mm
E1560	59 1/4" 1504mm	11 13/16" 300mm	23 3/4" 605mm

The above table shows the finished sizes once the fire has been installed.

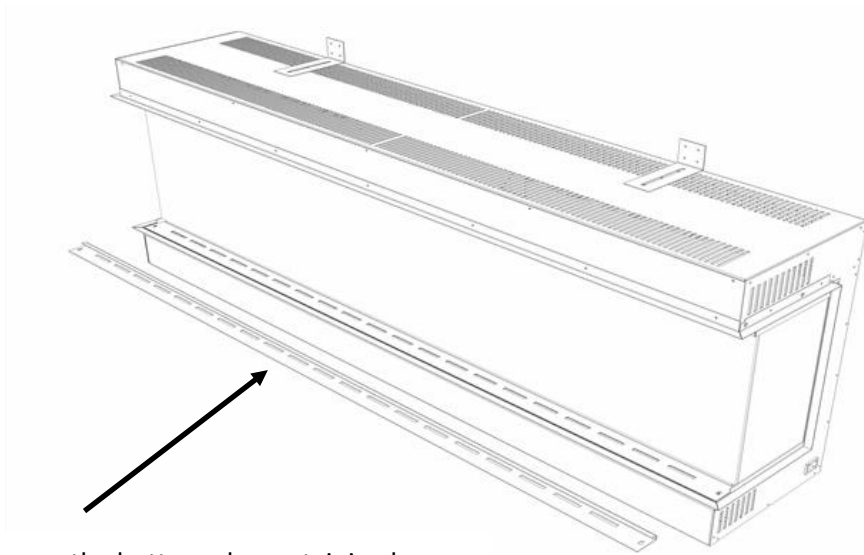


The above image shows the location of the power inlet. Please reference this when constructing the chimney breast.

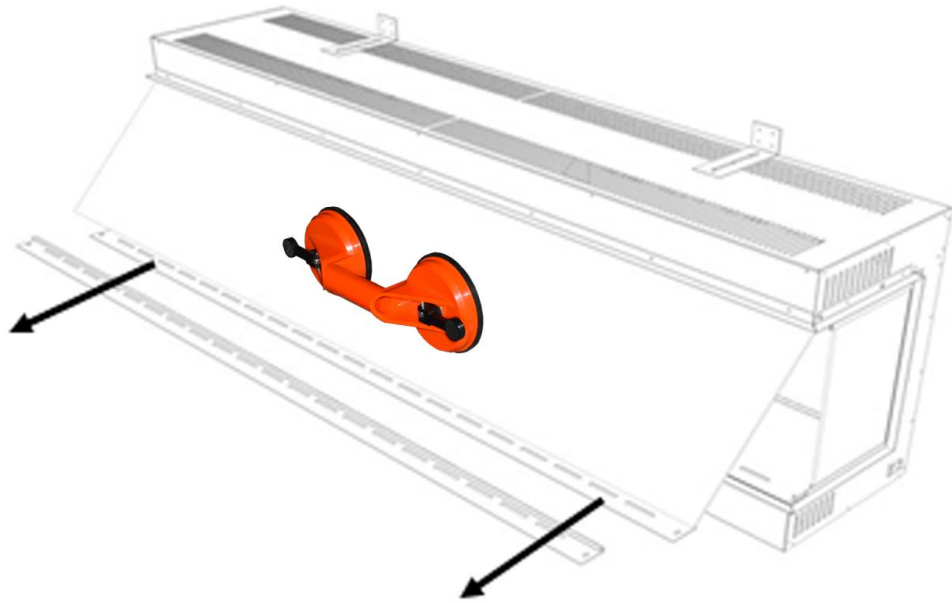
## Glass Removal:



1. Remove the two screws located in the bottom glass retaining bar.



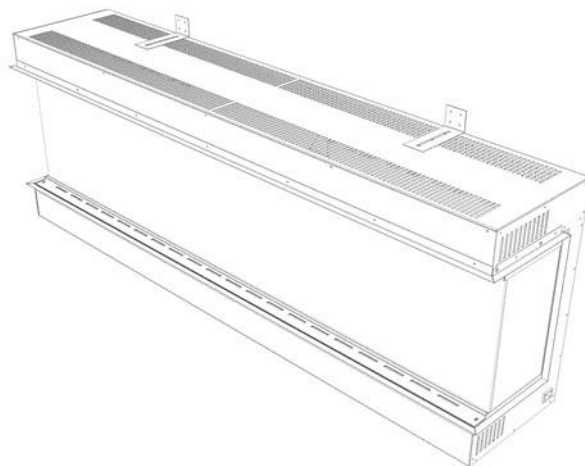
2. Remove the bottom glass retaining bar.



3. Remove the glass by pulling the panel away from the body of the fire. Ensure that the glass is always supported. A suction cup has been provided to aid with this step.

**Please note: The suction cup is provided for support only, not to hold the full weight of the glass.**

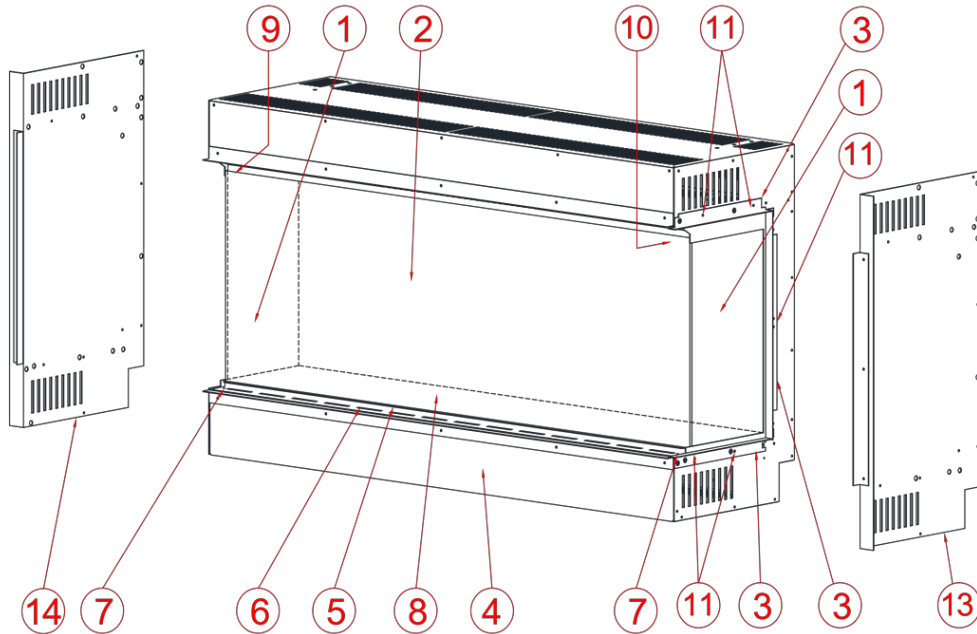
**Please note: It is recommended that this step is carried out by 2 persons to reduce the risk of injury.**



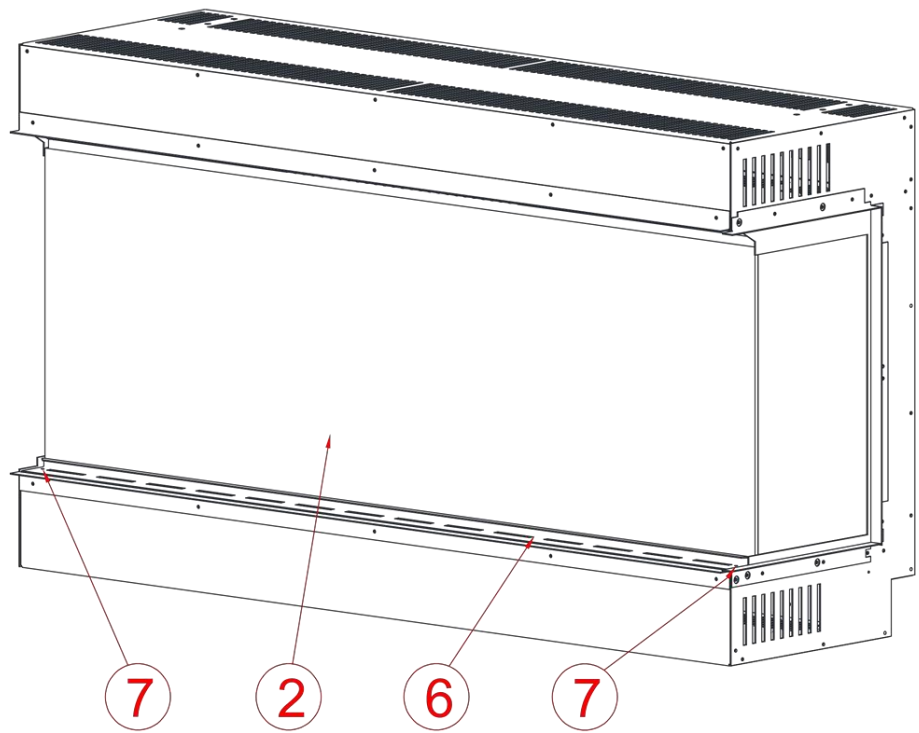
4. Place the log set as stated and replace the glass by reversing steps 3 to 1.

# Side Conversion Panels

To complete this step, you must first remove front glass and side glass.



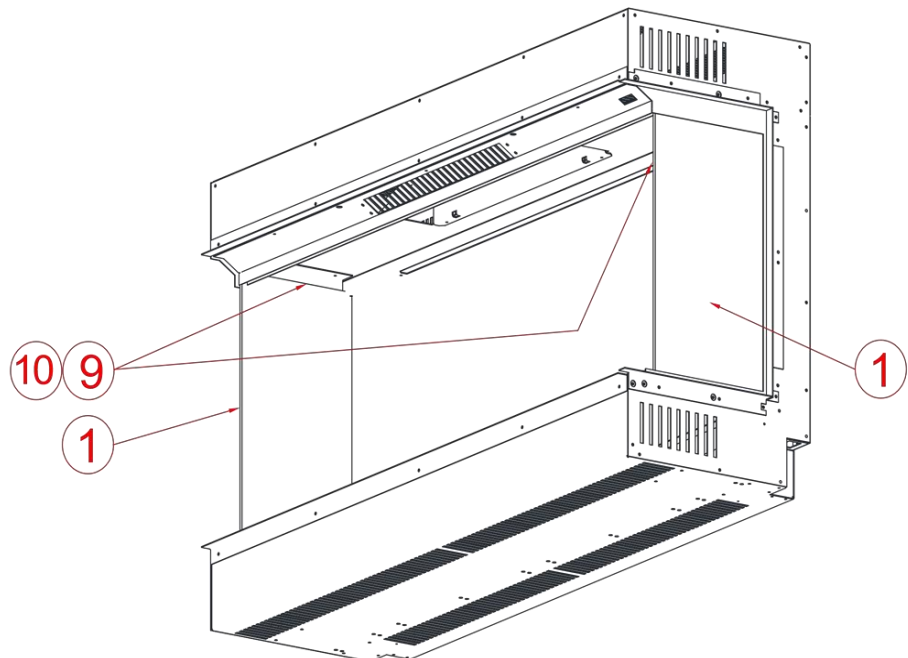
ITEM.	DESCRIPTION.	QTY.
1.	SIDE GLASS	2
2.	FRONT GLASS	1
3.	PLASTER KIT (3 OF LEFT SIDE, 3 OF RIGHT SIDE)	6
4.	MAIN HOUSING	1
5.	FRONT GLASS BOTTOM SUPPORT	1
6.	FRONT GLASS BOTTOM RETAINER	1
7.	FRONT GLASS BOTTOM RETAINER SCREWS	2
8.	FUEL BED	1
9.	SIDE GLASS TOP RETAINER (INTERNAL)	2
10.	SIDE GLASS TOP RETAINER (INTERNAL) SCREWS	4
11.	PLASTER KIT SCREWS	16
12.	IN-FILL SIDE PIECE SCREWS	16
13.	IN-FILL RIGHT SIDE	1
14.	IN-FILL LEFT SIDE	1



**STEP 1 - REMOVAL OF FRONT GLASS (ITEM 2)**

REMOVE THE 2 SCREWS (ITEM 7) THAT SECURE THE FRONT GLASS BOTTOM RETAINER (ITEM 6) TO THE FUEL BED (ITEM 8).

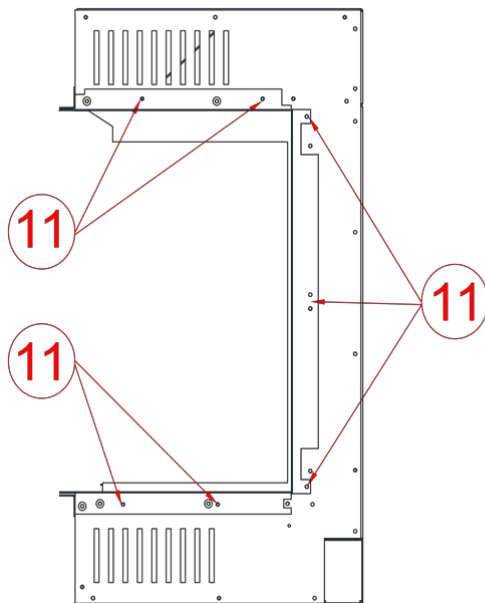
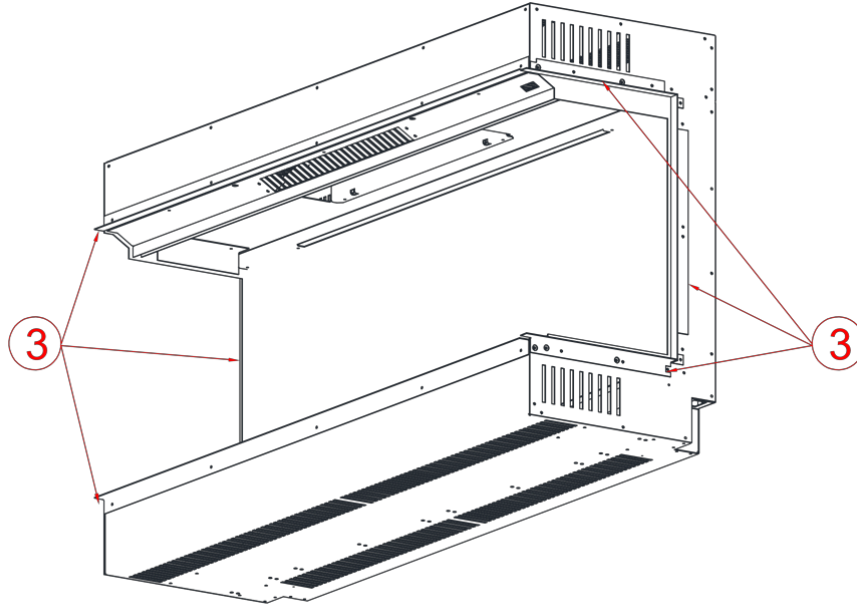
LIFT OFF THE FRONT GLASS RETAINER (ITEM 6) AND USING THE SUCTION CUP SUPPLIED (NOT SHOWN) CAEFULLY REMOVE THE FRONT GLASS (ITEM 2).



**STEP 2 - REMOVAL OF SIDE GLASS (ITEM 1)**

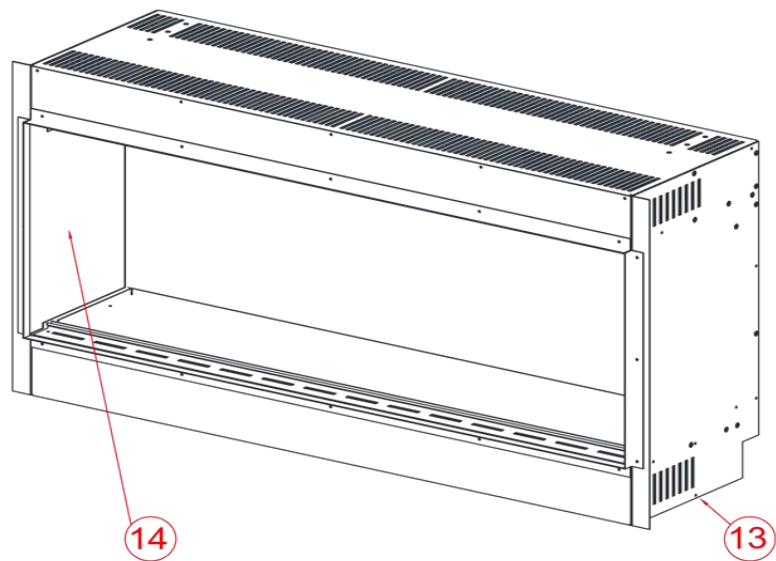
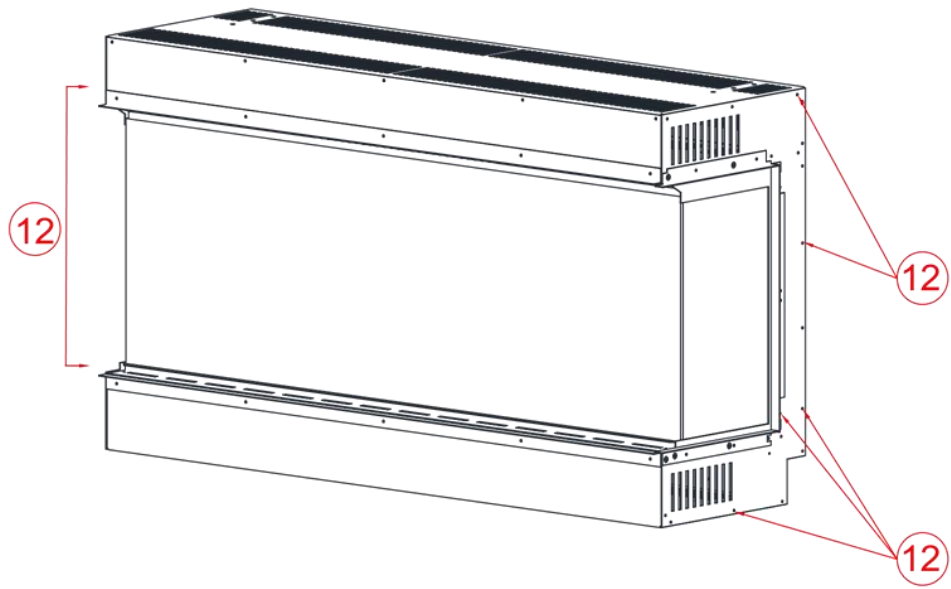
REMOVE THE 2 SIDE GLASS TOP RETAINER BRACKETS (ITEM 9) BY TAKING OUT THE 4 SCREWS (ITEM 10), 2 ON EACH BRACKET.

CAREFULLY TILT THE SIDE GLASS INWARDS AT THE TOP AND LIFT IT AWAY FROM UNIT.



**STEP 3 – REMOVAL OF PLASTER KIT (ITEM 3)**

1. REMOVE THE PLASTER KIT SCREWS (ITEM 11) USING A PHILLIPS SCREWDRIVER (NOT SUPPLIED). NOTE: ENSURE TO KEEP SCREWS FOR FUTURE REFERENCE.
2. REMOVE THE PLASTER KIT (ITEM 3) FROM BOTH SIDES OF THE UNIT



**STEP 4—FITTING IN-FILL SIDES (ITEM 13 & 14)**

REMOVE IN-FILL SIDE SCREWS (ITEM 12)  
PLACE THE IN-FILL SIDES OVER THE EXISTING SIDE PIECES  
USING THE IN-FILL SIDE SCREWS (ITEM 12) TOGETHER WITH THE PLASTER KIT  
SCREWS (ITEM 11) THAT WERE REMOVED IN THE PREVIOUS STEP SECURE THE  
LEFT AND RIGHT IN-FILL SIDES (ITEM 13 & ITEM 14) TO THE UNIT.

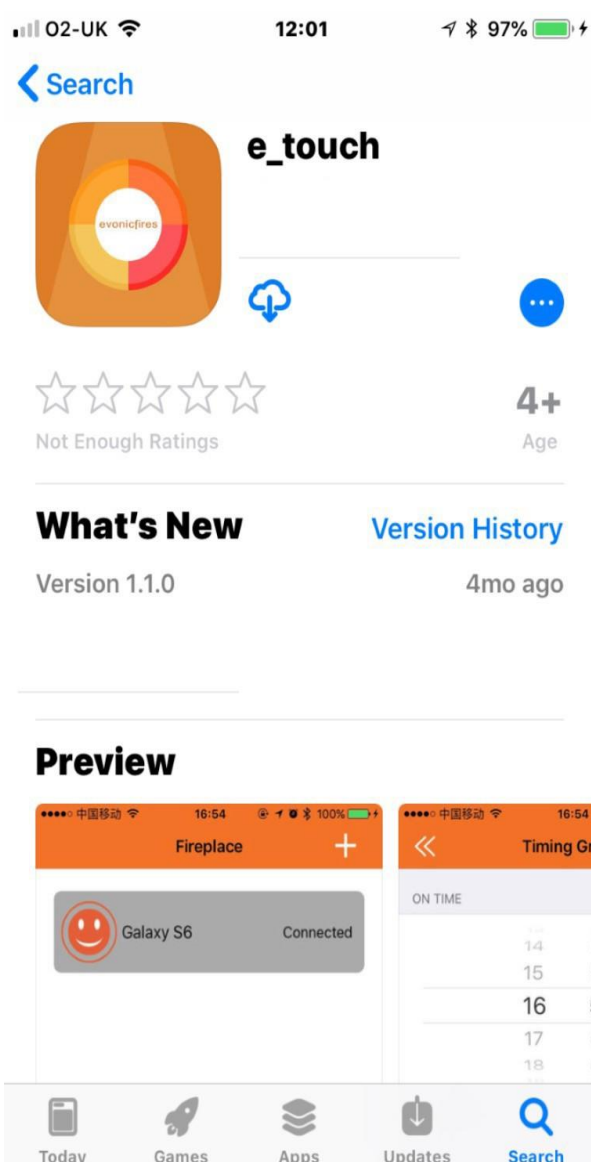


# E-Touch & App Interface:

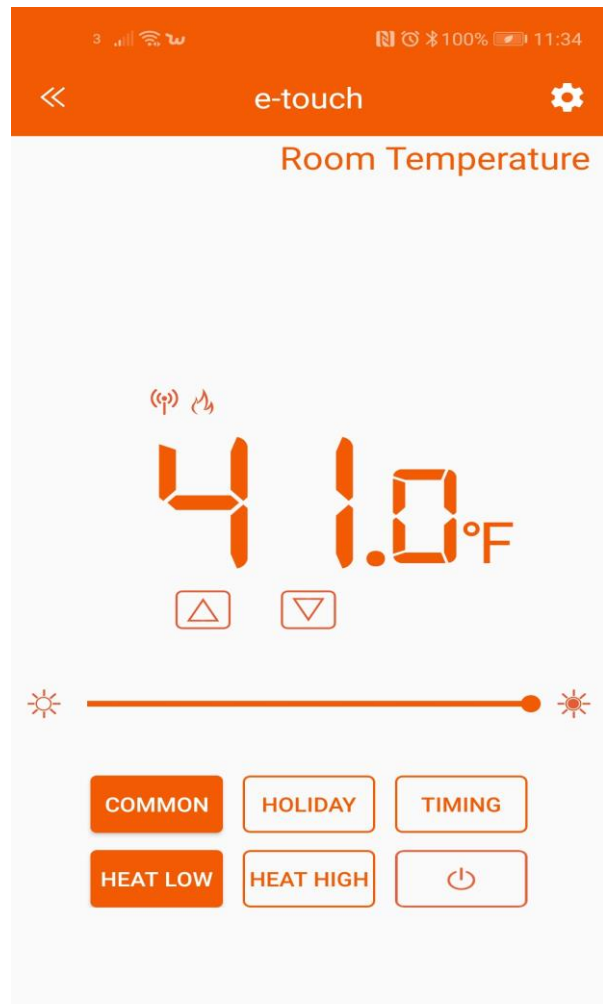
The Appliance is operated using the E-Touch App Control.

The App Control can be used on either OS or Android operating systems.

To obtain the App please visit either the Apple App Store or Google Play and follow the on screen instructions.



Screen shot taken from Apple App Store.



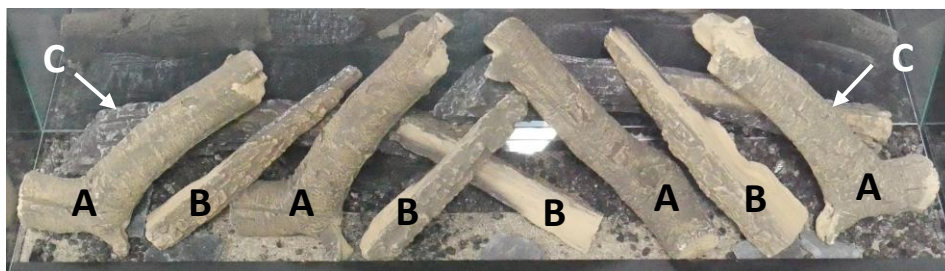
Home Screen shot taken from E-Touch App

## Log-Set Guidance:

Please note: Log sets can be arranged to suit personal preference

<u>MODEL</u>	<u>LOG SET &amp; QUANTITY</u>
E810	<b>E700</b> Log Set X 2 (10 logs)
E32H	<b>E700</b> Log Set X 2 (10 logs)
E40	<b>E1000</b> Log Set X 1 (6 logs)
E60	<b>E1000</b> Log Set X 2 (12 logs)
E72	<b>E1000</b> Log Set X 3 (18 logs)
E1560	<b>E1000</b> Log Set X 3 (18 logs)

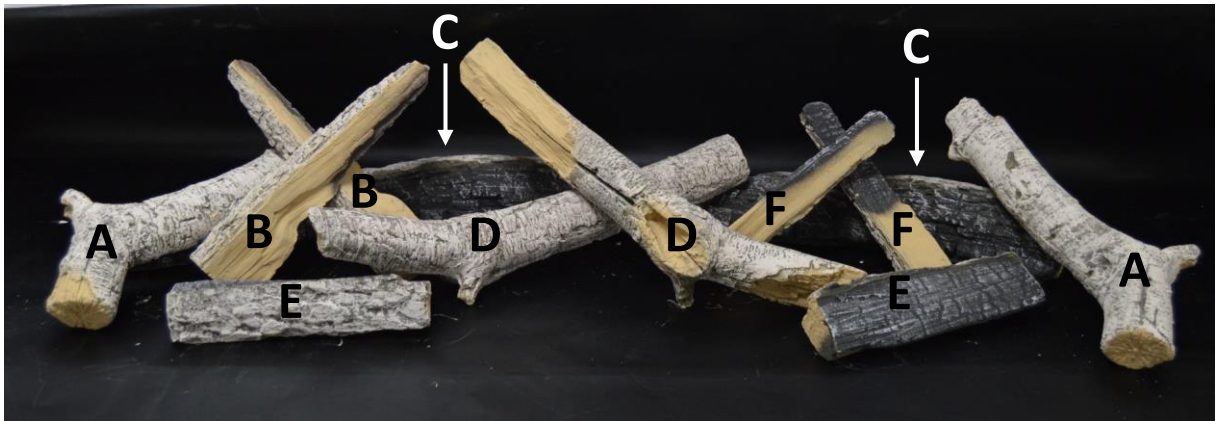
### WOODLAND LOG SET



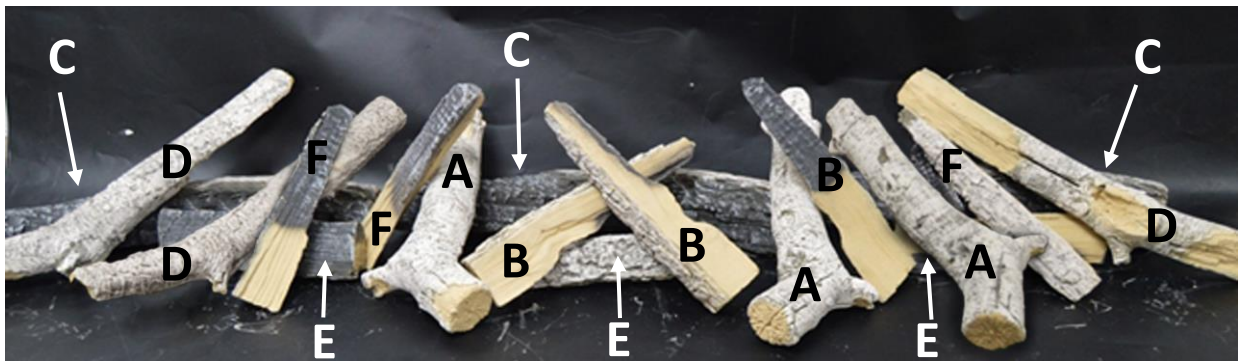
E700 LOG SET X 2 – Applicable with **E32H**, **E810**



E1000 X 1 Log Layout-Applicable with E40



E1000 X 2 Log Layout-Applicable with E60



E1000 X 3 Log Layout-Applicable with E72, E1560

## Product Operation:

The appliance is operated by the e-touch App, the main standby power switch to the e-series product is located to the right of the heater outlet, which is marked with a light bulb image, to activate the product, this switch must be switched to the “ON” position.

The first time the e-series product is activated both the illumination and heater will function, to switch the heater “OFF” simply reduce the room temperature down to 10 degrees on the App control.



Heater unit cut-out - (This is a safety feature, to safeguard against further damage to the product).

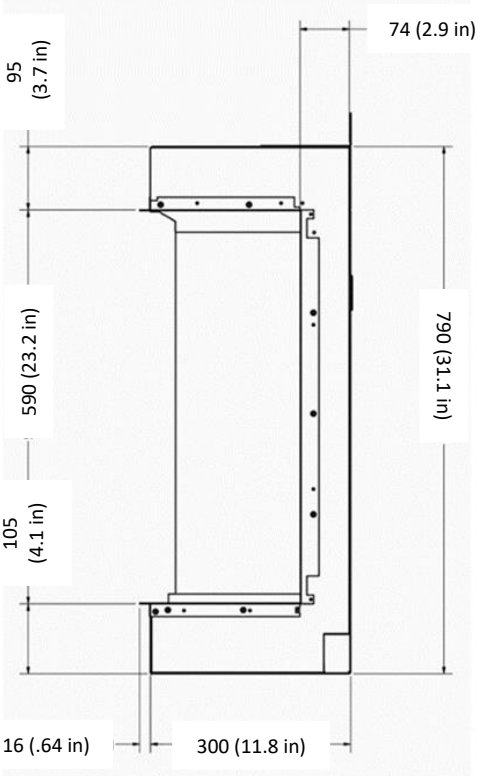
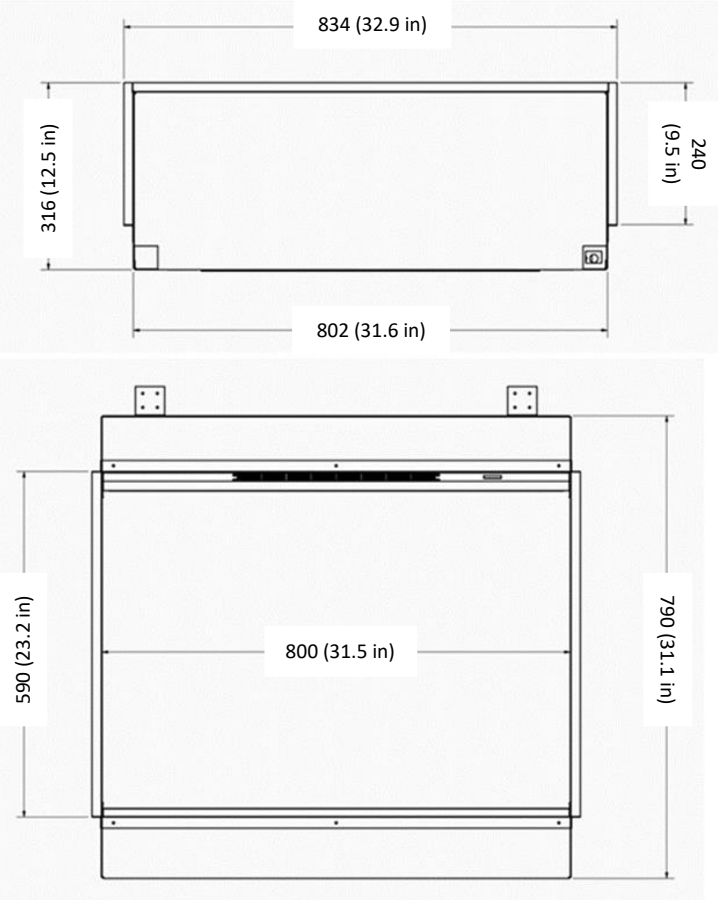
If the airflow is restricted the heater will automatically turn off. This can occur due to incorrect installation or obstruction.

To reset the heater function:

- isolate from the mains power supply.
- Leave product to cool.
- After a suitable cooling down period, remove the obstruction if obstructed, and check installation.
- After 10 minutes the thermo switch (cut-out) in the heater will reset.

**Please note that both the effect fan and heater fan omit a low decibel noise, both of which are normal operating characteristics.**

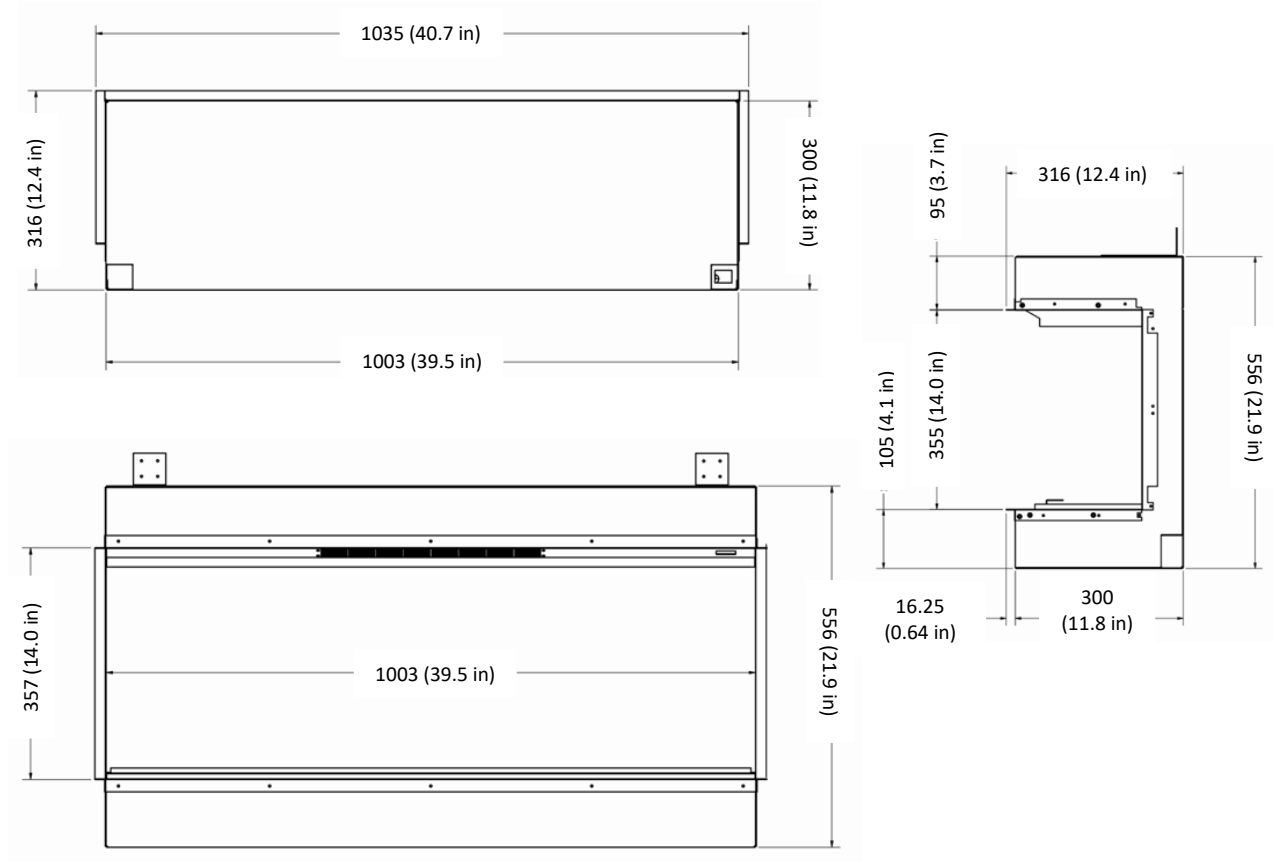
# E32H Specification: 3-Sided



MODEL	HEIGHT	WIDTH	DEPTH
<b>E32H</b>	31 1/8"	31 9/16"	11 13/16"
	790mm	802mm	300mm

<b>BOXED WEIGHT</b>	<b>UNBOXED WEIGHT</b>
48KG (106lbs)	37.55KG (83lbs)

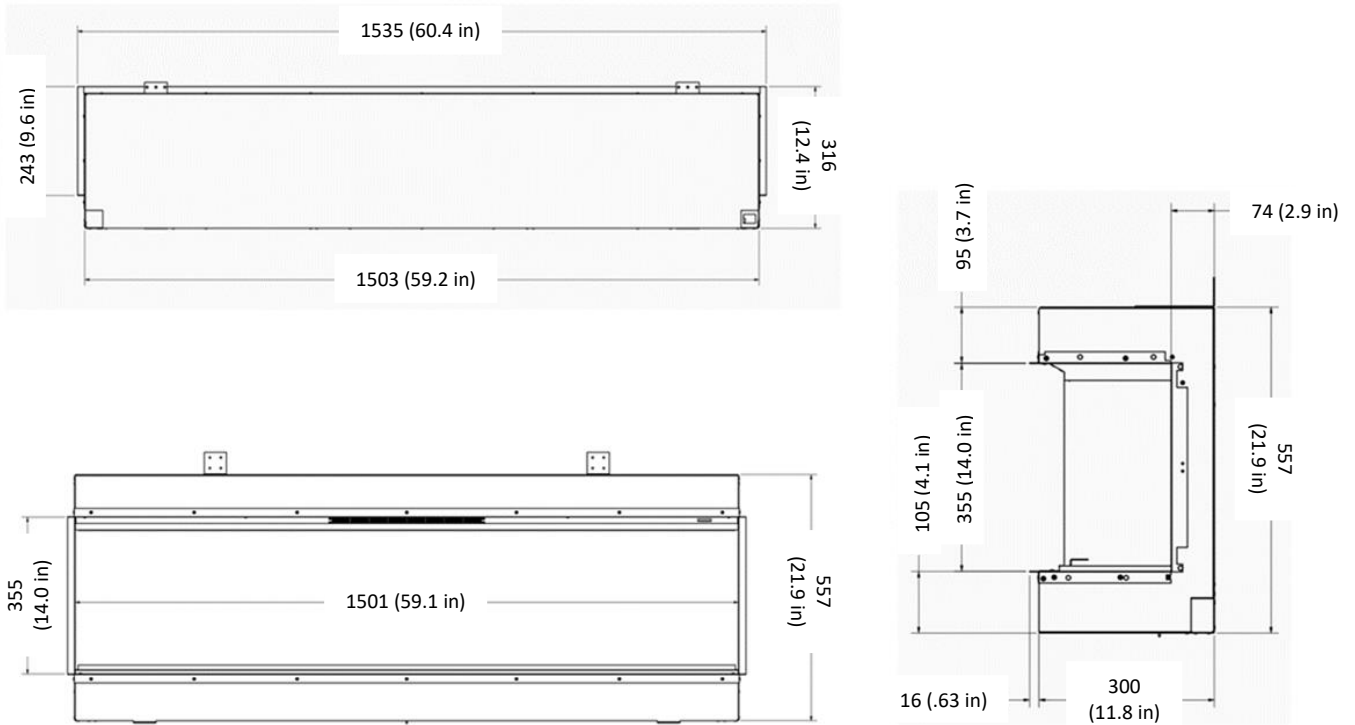
# E40 Specification: 3-Sided



MODEL	HEIGHT	WIDTH	DEPTH
<b>E40</b>	21 7/8"	39 9/16"	11 13/16"
	556mm	1005mm	300mm

<b>BOXED WEIGHT</b>	<b>UNBOXED WEIGHT</b>
44KG (97lbs)	33.55KG (74lbs)

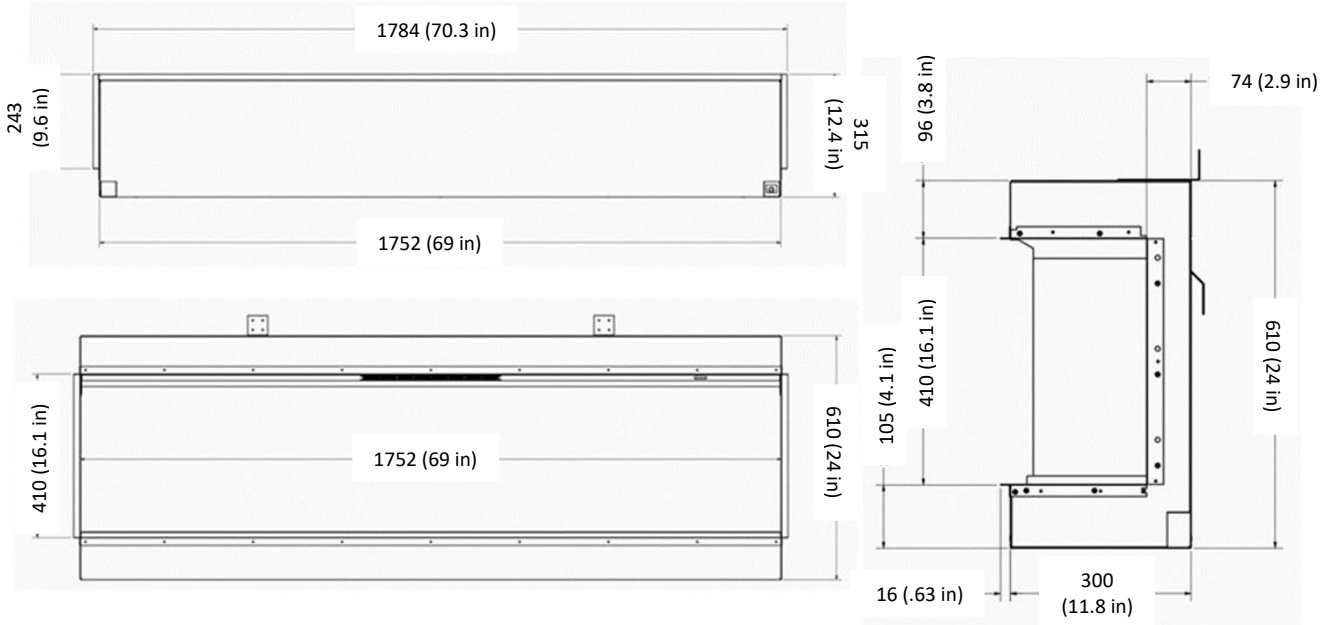
# E60 Specification: 3-Sided



MODEL	HEIGHT	WIDTH	DEPTH
<b>E60</b>	21 15/16"	59 3/16"	11 13/16"
	557mm	1503mm	300mm

<b>BOXED WEIGHT</b>	<b>UNBOXED WEIGHT</b>
62KG (137lbs)	51.55KG (114lbs)

# E72 Specification: 3-Sided

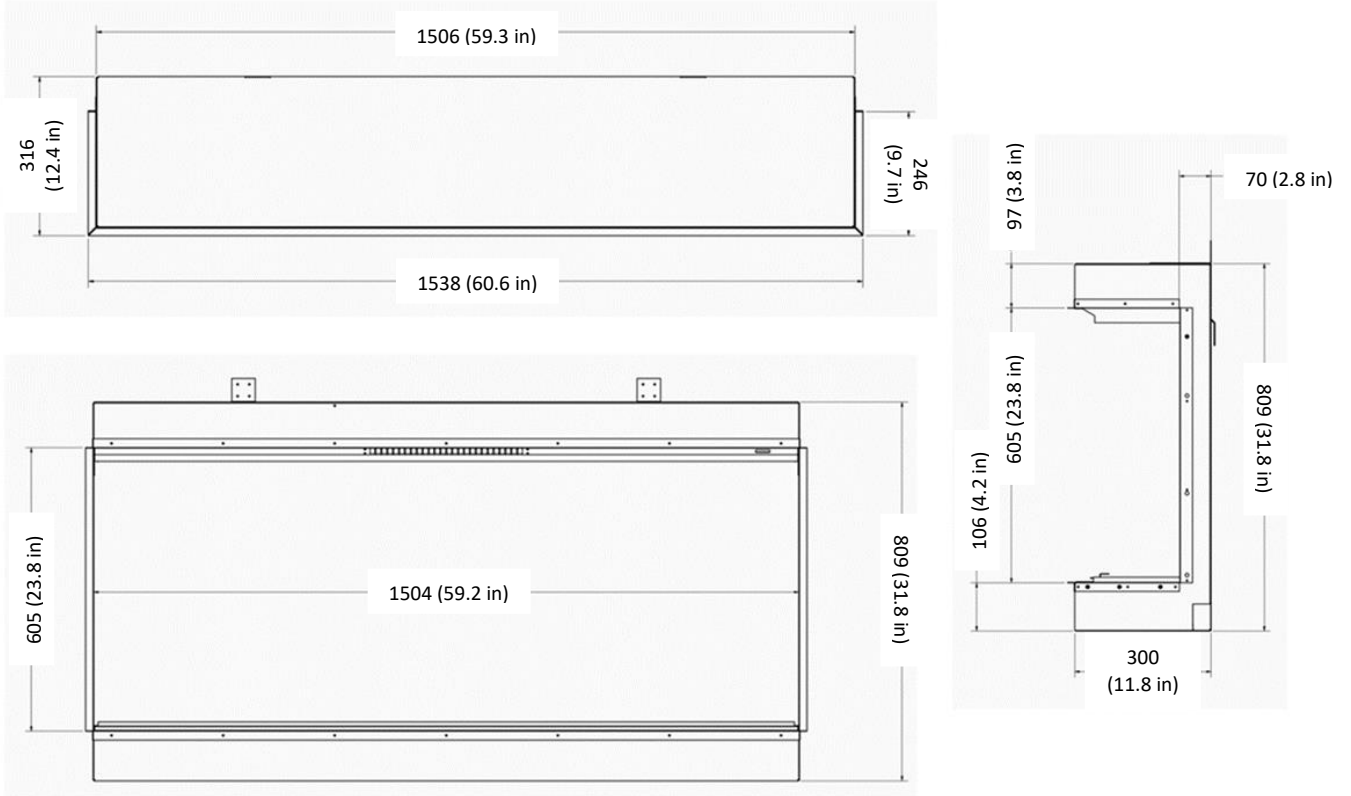


MODEL	HEIGHT	WIDTH	DEPTH
<b>E72</b>	24"	69"	11 13/16"
	610mm	1752mm	300mm

<b>BOXED WEIGHT</b>	<b>UNBOXED WEIGHT</b>
82KG (181lbs)	71.55KG (158lbs)



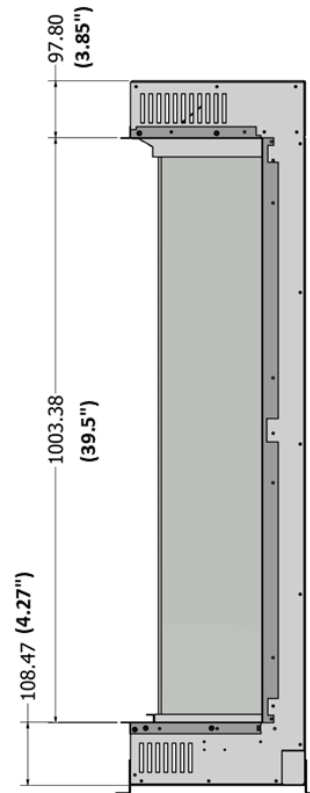
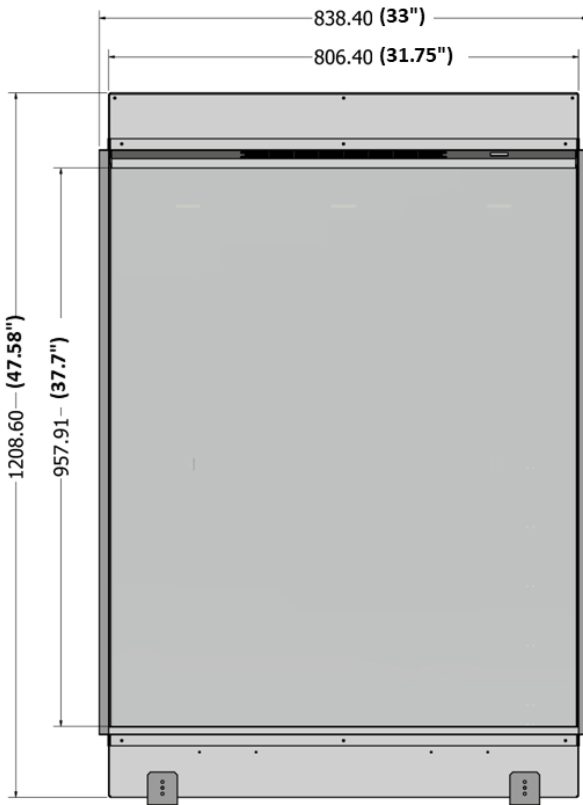
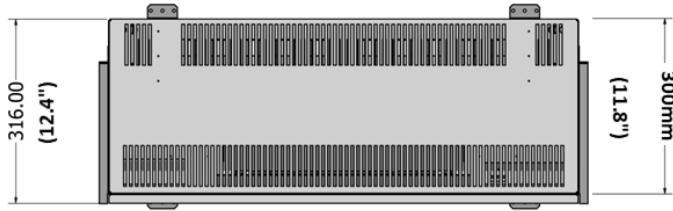
# E1560 Specification: 3-Sided



MODEL	HEIGHT	WIDTH	DEPTH
<b>E1560</b>	31 7/8"	59 5/16"	11 13/16"
	809mm	1506mm	300mm

<b>BOXED WEIGHT</b>	<b>UNBOXED WEIGHT</b>
84KG (185lbs)	73.55KG (162lbs)

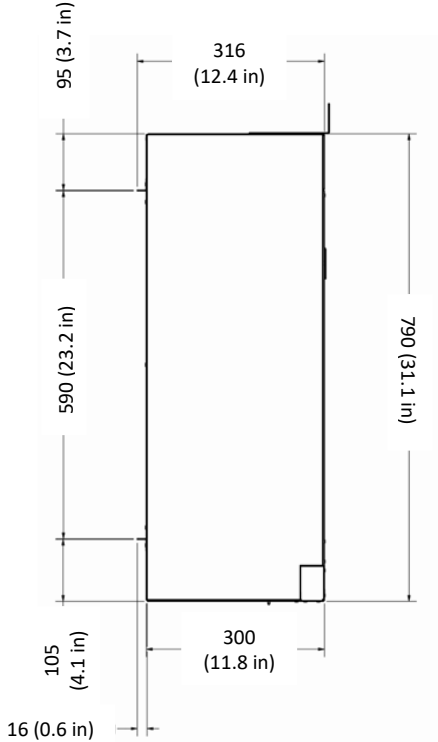
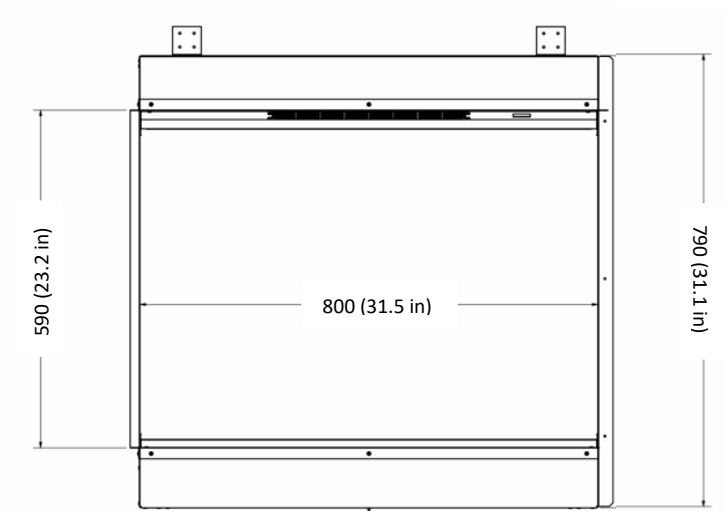
## E810 3-sided Specification:



MODEL	HEIGHT	WIDTH	DEPTH
<b>e810</b>	1208.60mm	838.40mm	300mm
	47 9/16"	33"	11 13/16"

<b>BOXED WEIGHT</b>	<b>UNBOXED WEIGHT</b>
50KG (110 lbs)	39.45kg (87 lbs)

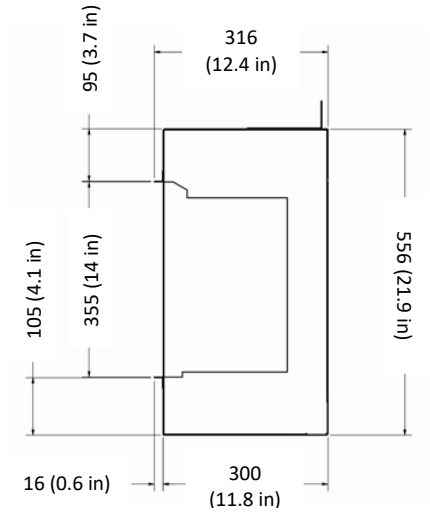
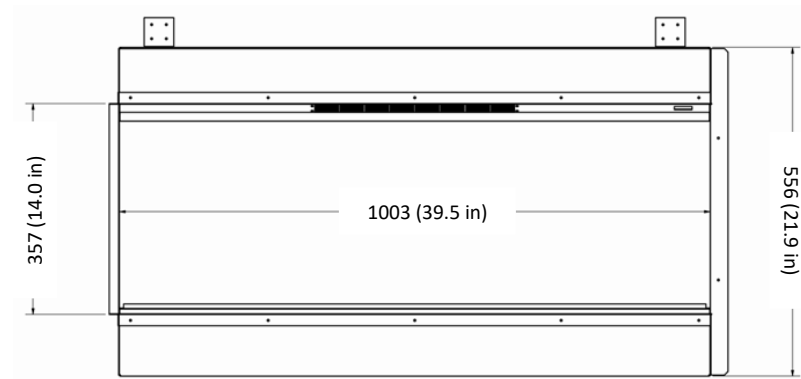
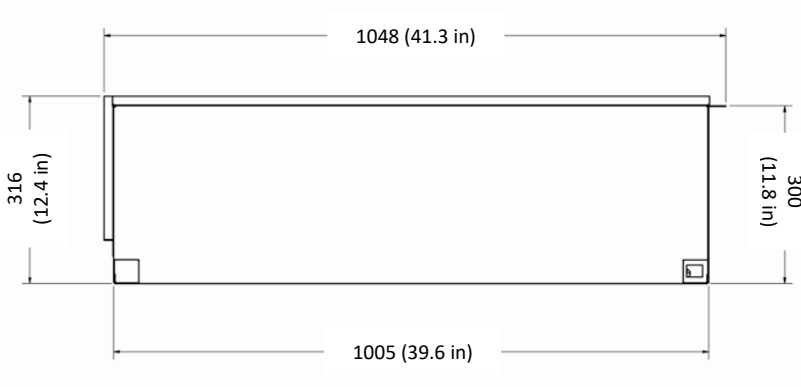
# E32H Specification: 2-Sided



MODEL	HEIGHT	WIDTH	DEPTH
<b>E32H</b>	31 1/8"	31 9/16"	11 13/16"
	790mm	802mm	300mm

<b>BOXED WEIGHT</b>	<b>UNBOXED WEIGHT</b>
48KG (106lbs)	37.55KG (83lbs)

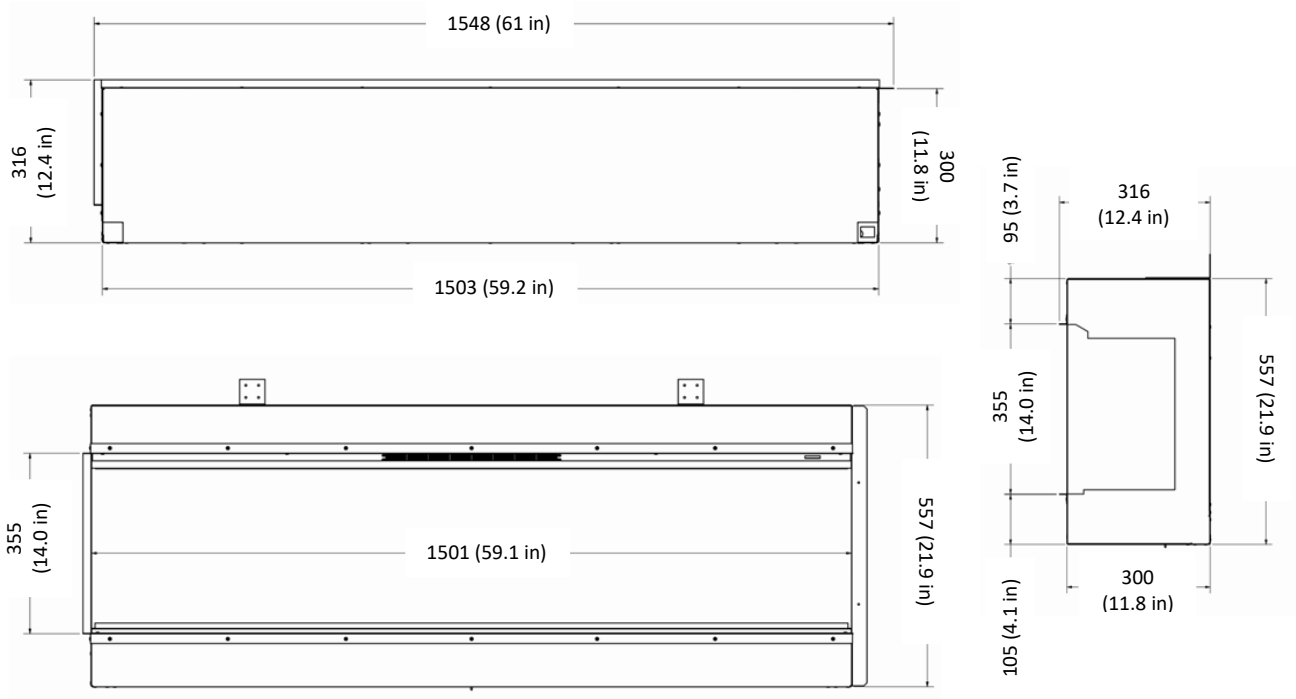
# E40 Specification: 2-Sided



MODEL	HEIGHT	WIDTH	DEPTH
<b>E40</b>	21 7/8"	39 9/16"	11 13/16"
	556mm	1005mm	300mm

<b>BOXED WEIGHT</b>	<b>UNBOXED WEIGHT</b>
44KG (97lbs)	33.55KG (74lbs)

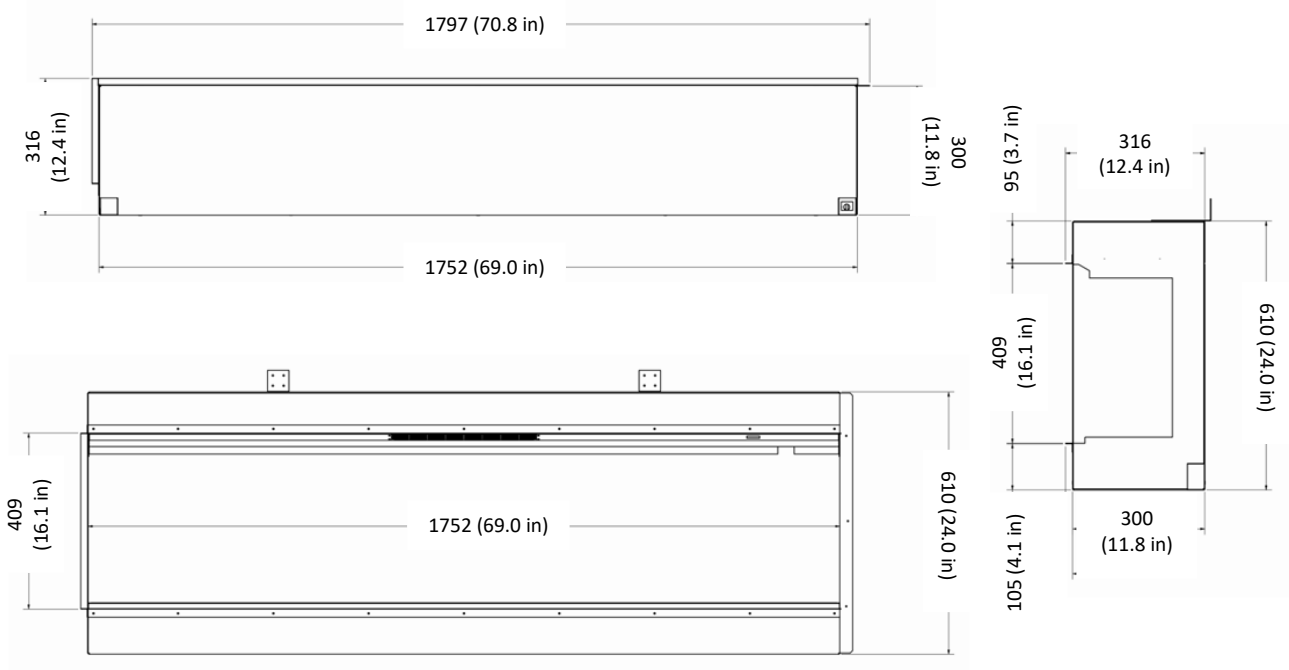
# E60 Specification: 2-Sided



MODEL	HEIGHT	WIDTH	DEPTH
<b>E60</b>	21 15/16"	59 3/16"	11 13/16"
	557mm	1503mm	300mm

<b>BOXED WEIGHT</b>	<b>UNBOXED WEIGHT</b>
62KG (137lbs)	51.55KG (114lbs)

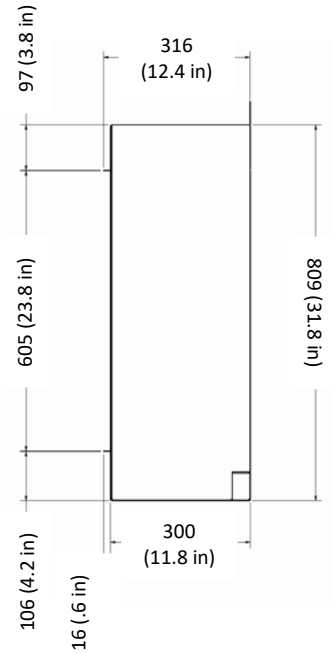
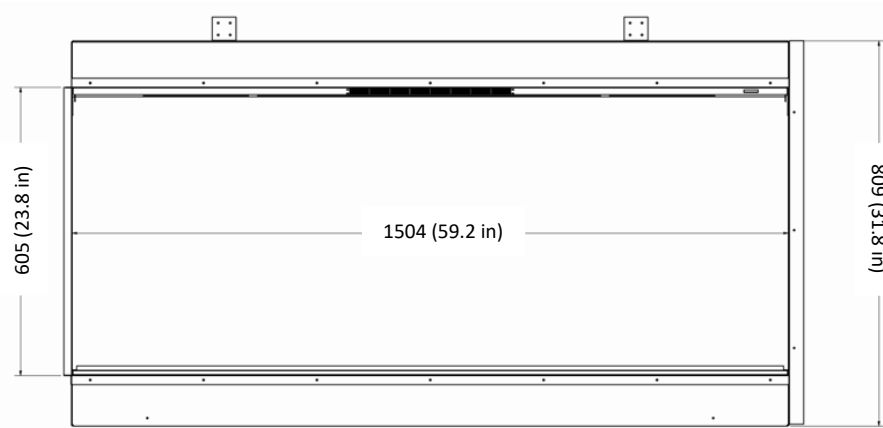
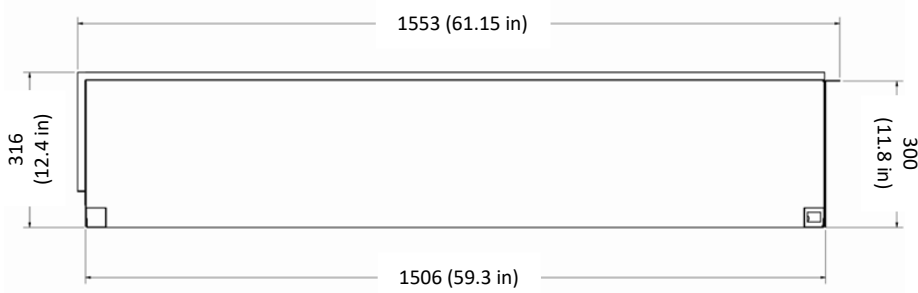
## E72 Specification: 2-Sided



MODEL	HEIGHT	WIDTH	DEPTH
<b>E72</b>	24"	69"	11 13/16"
	610mm	1752mm	300mm

<b>BOXED WEIGHT</b>	<b>UNBOXED WEIGHT</b>
82KG (181lbs)	71.55KG (158lbs)

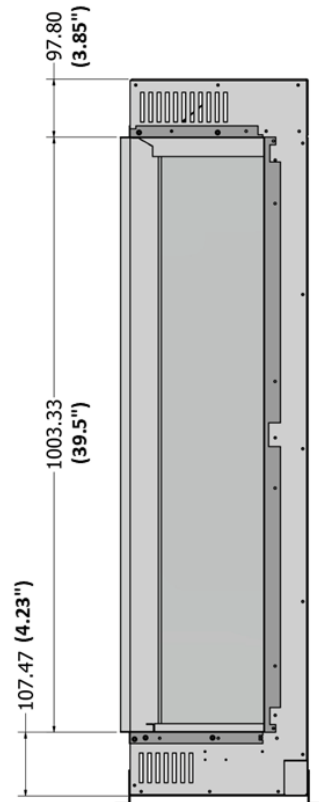
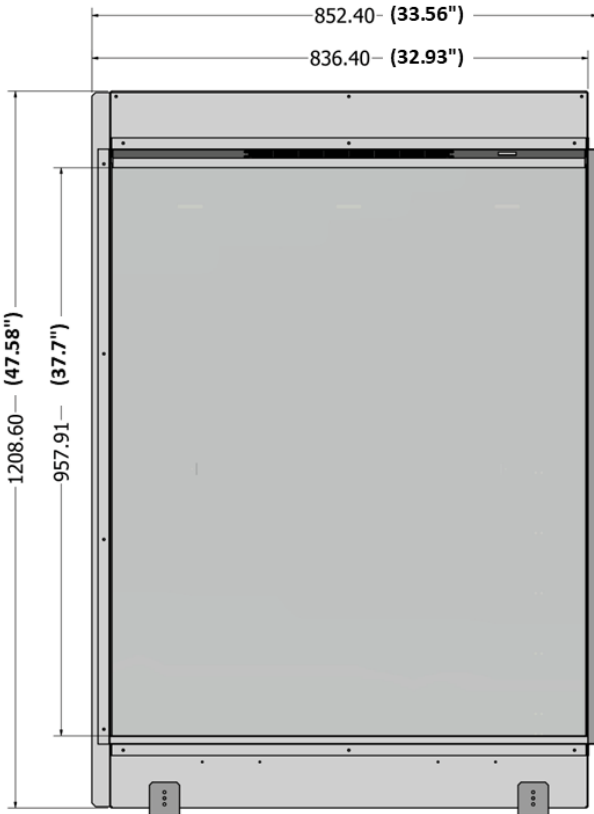
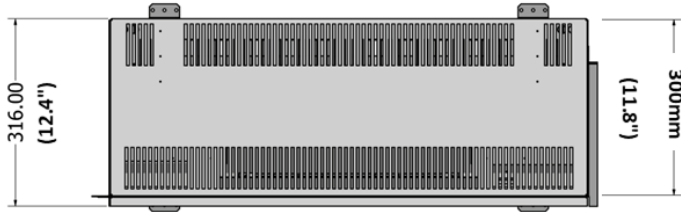
# E1560 Specification: 2-Sided



MODEL	HEIGHT	WIDTH	DEPTH
<b>E1560</b>	31 7/8"	59 5/16"	11 13/16"
	809mm	1506mm	300mm

<b>BOXED WEIGHT</b>	<b>UNBOXED WEIGHT</b>
84KG (185lbs)	73.55KG (162lbs)

## E810 2-sided Specification:

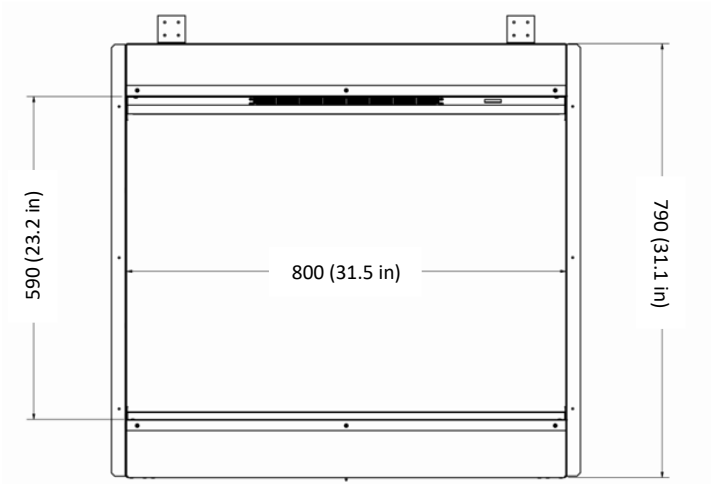
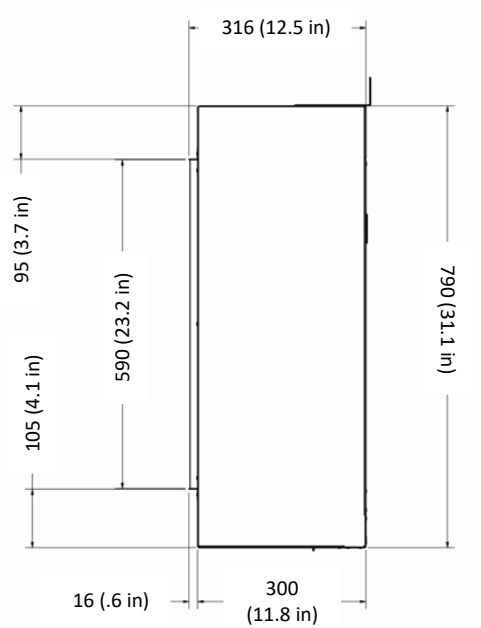
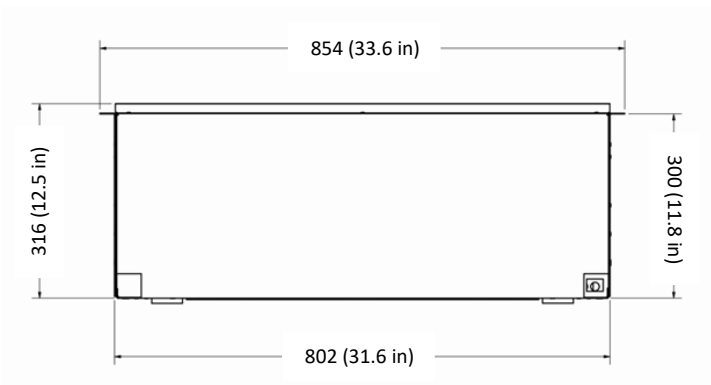


MODEL	HEIGHT	WIDTH	DEPTH
<b>e810</b>	1208.60mm	852.40mm	300mm
	47 9/16"	33 9/16"	11 13/16"

<b>BOXED WEIGHT</b>	<b>UNBOXED WEIGHT</b>
50KG (110 lbs)	39.45kg (87 lbs)



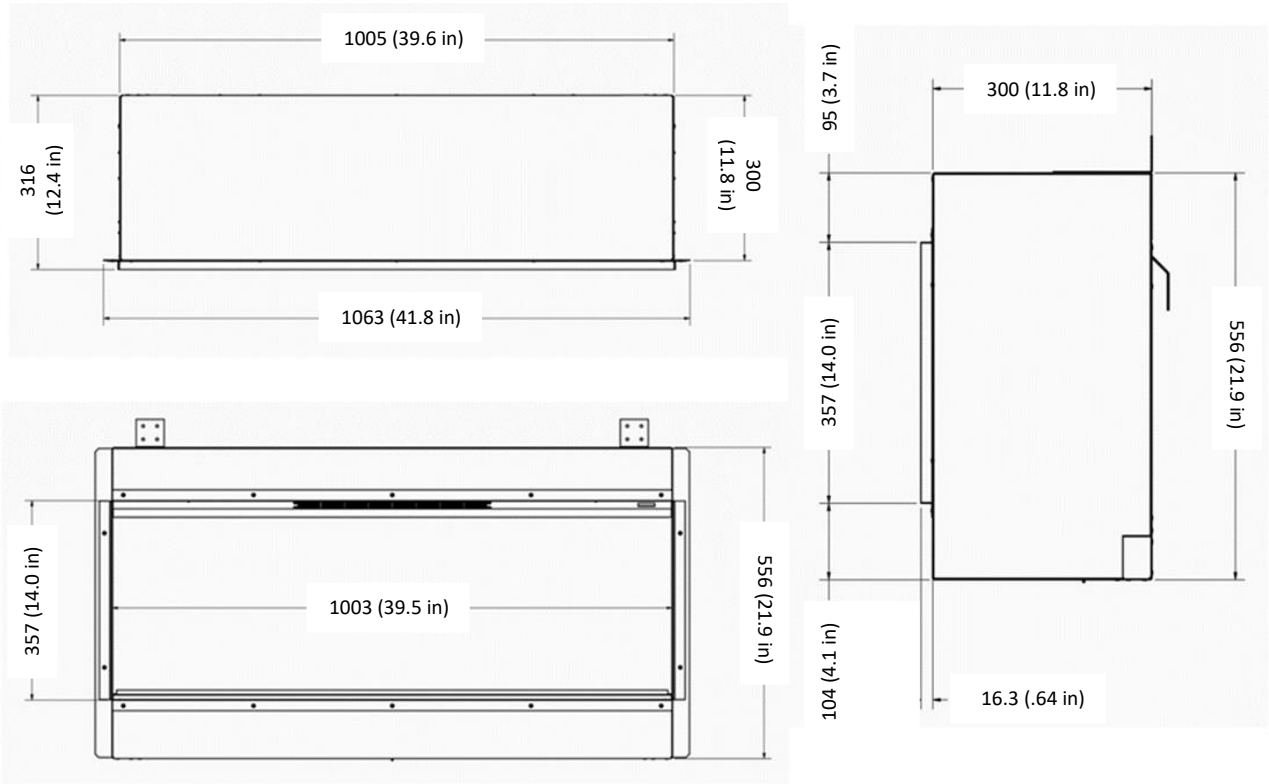
# E32H Specification: 1-Sided



MODEL	HEIGHT	WIDTH	DEPTH
<b>E32H</b>	31 1/8"	31 9/16"	11 13/16"
	790mm	802mm	300mm

<b>BOXED WEIGHT</b>	<b>UNBOXED WEIGHT</b>
48KG (106lbs)	37.55KG (83lbs)

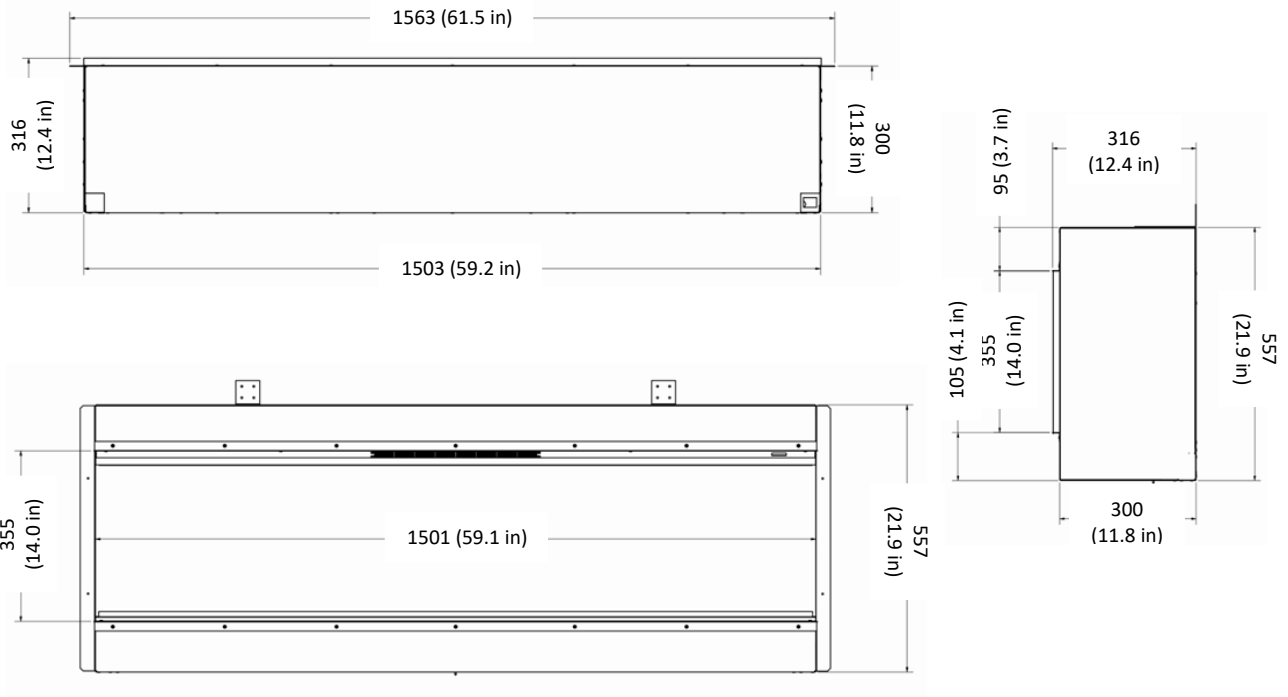
# E40 Specification: 1-Sided



MODEL	HEIGHT	WIDTH	DEPTH
<b>E40</b>	21 7/8"	39 9/16"	11 13/16"
	556mm	1005mm	300mm

<b>BOXED WEIGHT</b>	<b>UNBOXED WEIGHT</b>
44KG (97lbs)	33.55KG (74lbs)

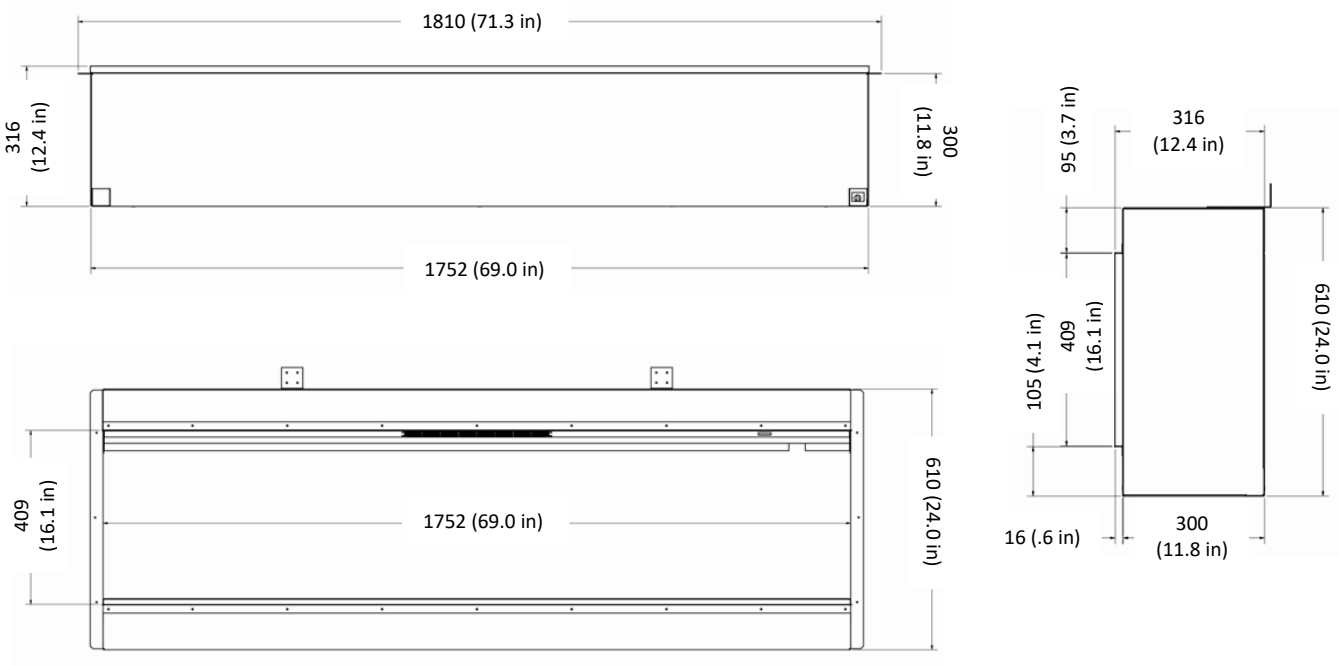
# E60 Specification: 1-Sided



MODEL	HEIGHT	WIDTH	DEPTH
<b>E60</b>	21 15/16"	59 3/16"	11 13/16"
	557mm	1503mm	300mm

<b>BOXED WEIGHT</b>	<b>UNBOXED WEIGHT</b>
62KG (137lbs)	51.55KG (114lbs)

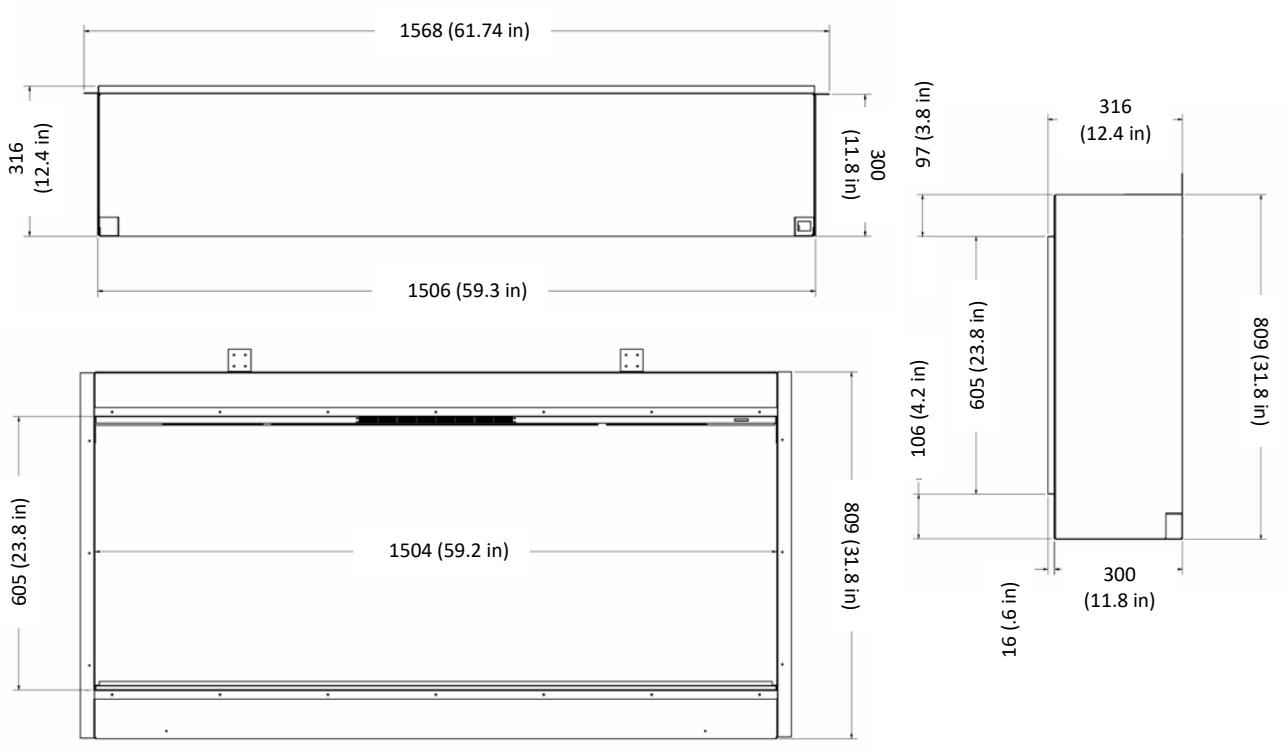
# E72 Specification: 1-Sided



MODEL	HEIGHT	WIDTH	DEPTH
<b>E72</b>	24"	69"	11 13/16"
	610mm	1752mm	300mm

<b>BOXED WEIGHT</b>	<b>UNBOXED WEIGHT</b>
82KG (181lbs)	71.55KG (158lbs)

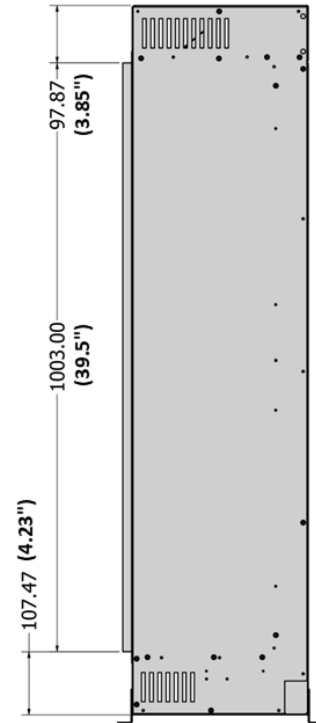
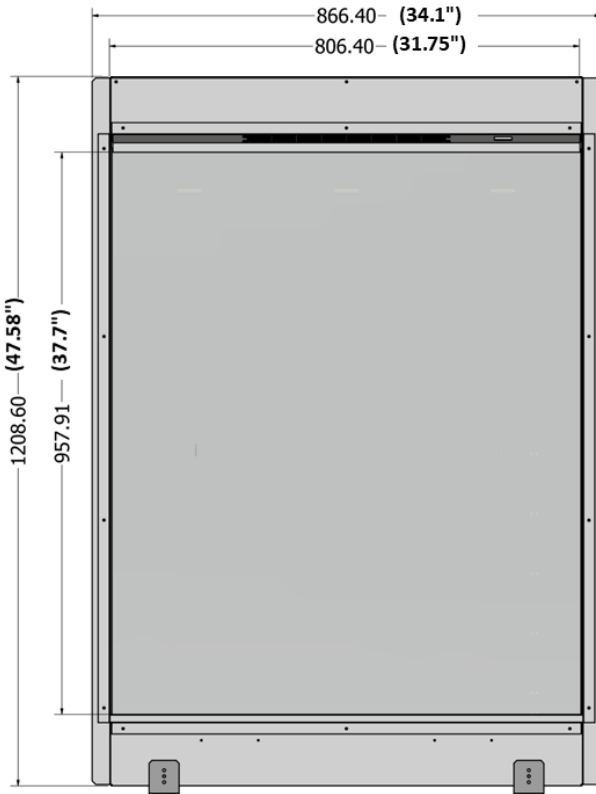
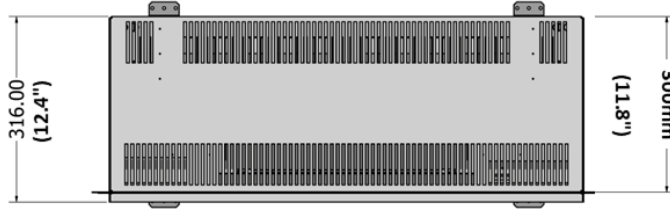
# E1560 Specification: 1-Sided



MODEL	HEIGHT	WIDTH	DEPTH
<b>E1560</b>	31 7/8"	59 5/16"	11 13/16"
	809mm	1506mm	300mm

<b>BOXED WEIGHT</b>	<b>UNBOXED WEIGHT</b>
84KG (185lbs)	73.55KG (162lbs)

# E810 1-sided Specification:



MODEL	HEIGHT	WIDTH	DEPTH
<b>e810</b>	1208.60mm	866.40mm	300mm
	47 9/16"	34 1/8"	11 13/16"

<b>BOXED WEIGHT</b>	<b>UNBOXED WEIGHT</b>
50KG (110 lbs)	39.45 (87 lbs)

# Troubleshooting Flow Chart:

Problem	Possible Cause	Solution
<p>1)</p> <p>Flames not working correctly</p>	<p>→ Ribbons are statically connected to glass.</p>	<p>→ Spray some anti-static spray beneath the tray. <b>Please note: If this product is freshly installed, please leave running for 20 minutes so ribbons can loosen.</b></p>
	<p>→ Installation airflow restricted.</p>	<p>→ Check the correct air gap has been adhered to when installing— Recommended clearance is <b>4"(100mm)</b></p>
	<p>→ Blower clogged.</p>	<p>→ Fan requires cleaning out. <b>Please see EH YouTube video.</b></p>
	<p>→ Slow fan.</p>	<p>→ Fan requires cleaning out. If problem persists, replacement fan may be required. <b>Please see EH YouTube video.</b></p>
<p>2)</p> <p>Heater blowing cold</p>	<p>→ Possible installation gaps/Chimney not adequately blocked off.</p>	<p>→ Chimney may not be fully blocked. Correct air gap has not been adhered to—<b>4"(100mm)</b></p>
	<p>→ Fan clogged.</p>	<p>→ Heater fan requires cleaning out. <b>Please see EH YouTube video.</b></p>
	<p>→ Faulty element.</p>	<p>→ Replace element. <b>Please see EH YouTube video.</b></p>
	<p>→ Slow fan.</p>	<p>→ Check fan placement. If problem persists replacement fan may be required. <b>Please see EH YouTube video.</b></p>

### Problem

### Possible Cause

### Solution

3)  Noisy Heater	→	Fan unbalanced.	→	Adjust fan to stop catching on the case. If problem persists replacement fan unit maybe required. <b>Please see EH YouTube video.</b>
	→	Fan catching on housing.	→	Adjust fan to stop catching on the case. <b>Please see EH YouTube video.</b>
	→	Fan clogged.	→	Fan requires cleaning out. If problem persists a replacement fan may be required. <b>Please see EH YouTube video.</b>
	→	Fan has come loose.	→	Tighten fan cradle or screws holding fan onto fan cradle. <b>Please see EH YouTube video.</b>

4)  Noisy Flame Effect	→	Fan unbalanced.	→	Adjust fan to stop catching on the case. If problem persists a replacement fan unit may be required. <b>Please see EH YouTube video.</b>
	→	Fan catching on housing.	→	Adjust fan to stop catching on the case. <b>Please see EH YouTube video.</b>
	→	Fan clogged.	→	Fan requires cleaning out. If problem persists a replacement fan may be required. <b>Please see EH YouTube video.</b>
	→	Fan has come loose.	→	Tighten fan cradle or screws holding fan onto fan cradle. <b>Please see EH YouTube video.</b>



**Problem**

**Possible Cause**

**Solution**

5)  Fire not turning on.	→	Rocker switch has not been turned to the 'ON' position.	→	Double check switches are turned to the 'ON' position.
	→	Remote/App not paired.	→	Remote needs pairing. See separate pairing instructions for guide.
	→	Fuse blown.	→	Check fuse box.
	→	Unit not plugged in correctly.	→	Check to be sure the power lead is plugged in adequately.

6)  No lights	→	Loose connection or disconnected wire.	→	Check all connections on LED's. <b>Please see EH YouTube video.</b>
	→	LED shorting out	→	Check location of short—Replace LED strip if necessary. <b>Please see EH YouTube video.</b>
	→	LED blown	→	LED strip needs replacing. <b>Please see EH YouTube video.</b>
	→	Blown driver on PCB	→	PCB needs replacing. <b>Please see EH YouTube video.</b>

Problem	Possible Cause	Solution
7) Heater coming on randomly	Timer has been accidentally set.	Double check timer settings.
	Thermostat faulty.	Replace PCB. <b>Please see EH YouTube video.</b>
8) LED streaking	LED dropped down.	LED needs to be re-stuck into place.
	Log positioning.	Change log positioning to hide any direct view of LED strip.
9) Heater cutting out	Build up of hot air triggering heater cut-out unit.	Ensure the appliance has the required air gap for air to circulate and prevent build-up. Recommended <b>4" (100mm)</b>
10) Noisy fans	Fan has slipped off-centre of mechanism	Press red button on side of fan to re-centre to stop it from catching. <b>Please see EH YouTube video.</b>

## E-Tab Controller:

- 1.
- 2.



1. **Volume Control.**
2. **Power button - Press and hold for 3 seconds to turn ON/OFF.**

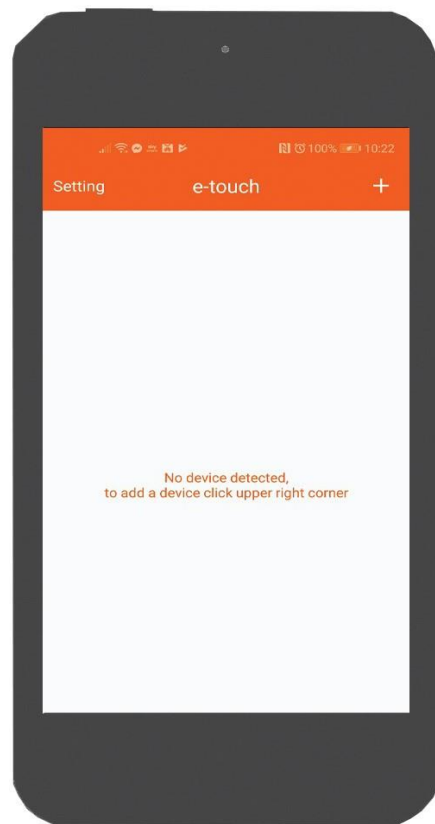
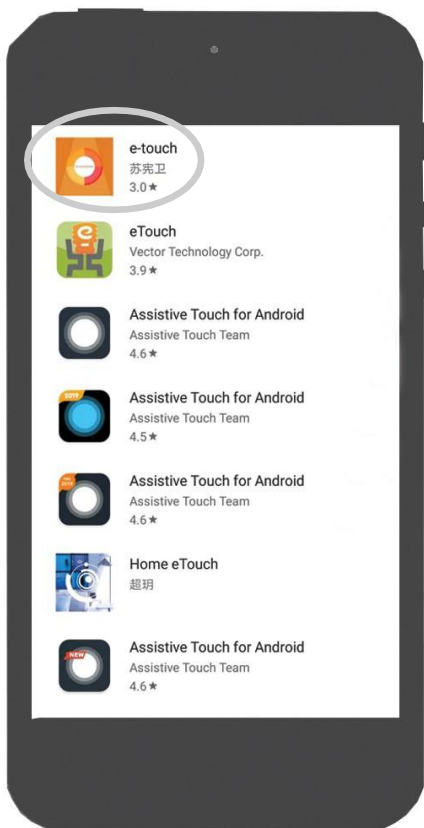
The e-touch app can be used with both smart phone and tablet devices.

Utilising the e-touch app will allow complete controllability of your European Home product.

To download the e-touch app please follow the below steps.

**PLEASE NOTE: e-tab control systems already come with e-touch app installed**

**PLEASE NOTE: Once fully charged, the battery life of the E-tab control system is roughly 24 hours and needs daily charging.**



1) Access either the Apple app store or Google play, this is depending on the operating system of your smart phone or tablet.

2) Search, locate, and download the app entitled e-touch

3) Open the (e-touch) App and the above screen will appear.

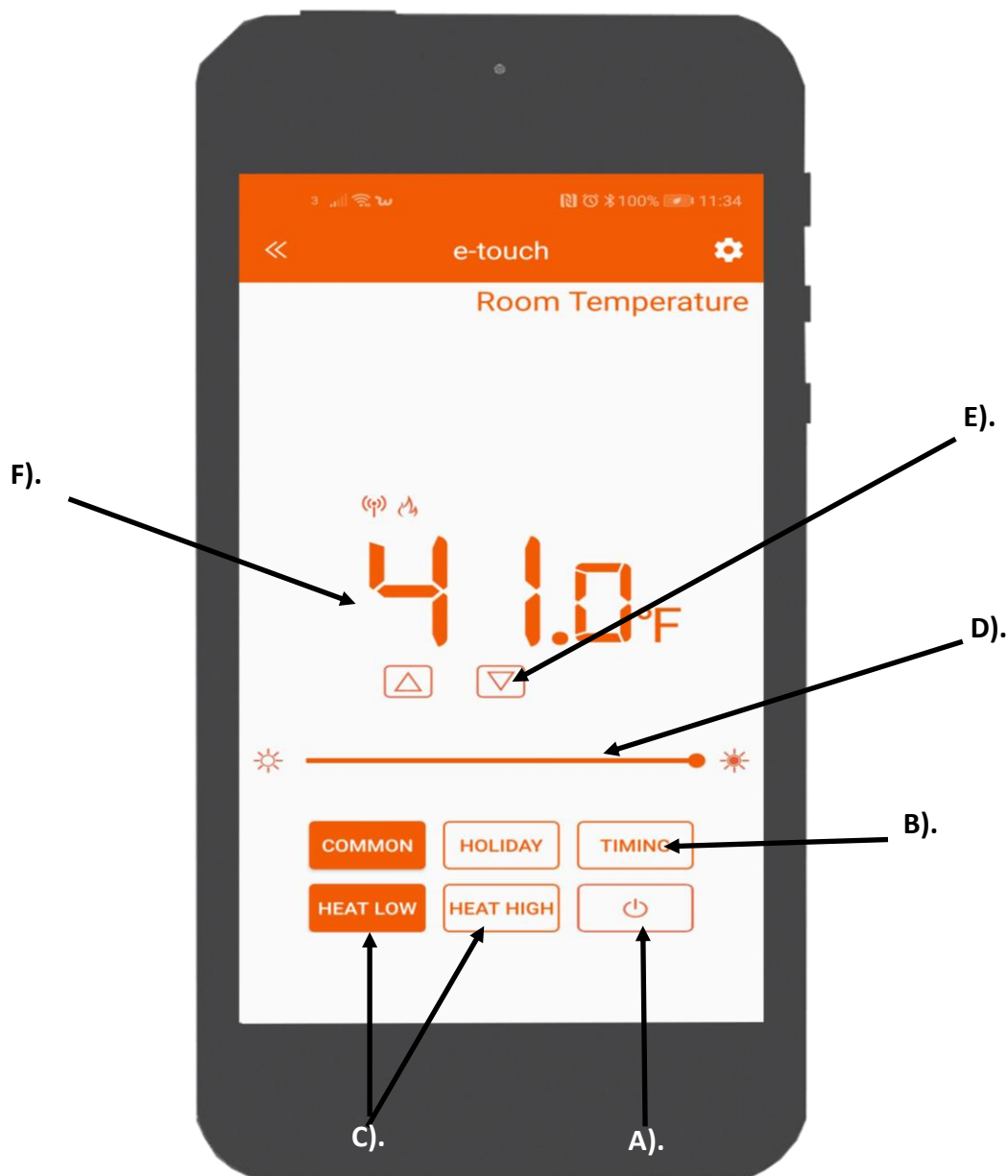
4) To ADD your product, simply click the + button at the top right of the screen.

The e-touch App will then begin to scan for your European home product.



**Please note:** *To enable the e-touch app to find/ discover your European Home product, the smart phone or tablet must be no more than a foot away from the product). To ensure successful pairing please hold your device toward the bottom right hand side of the fire.*

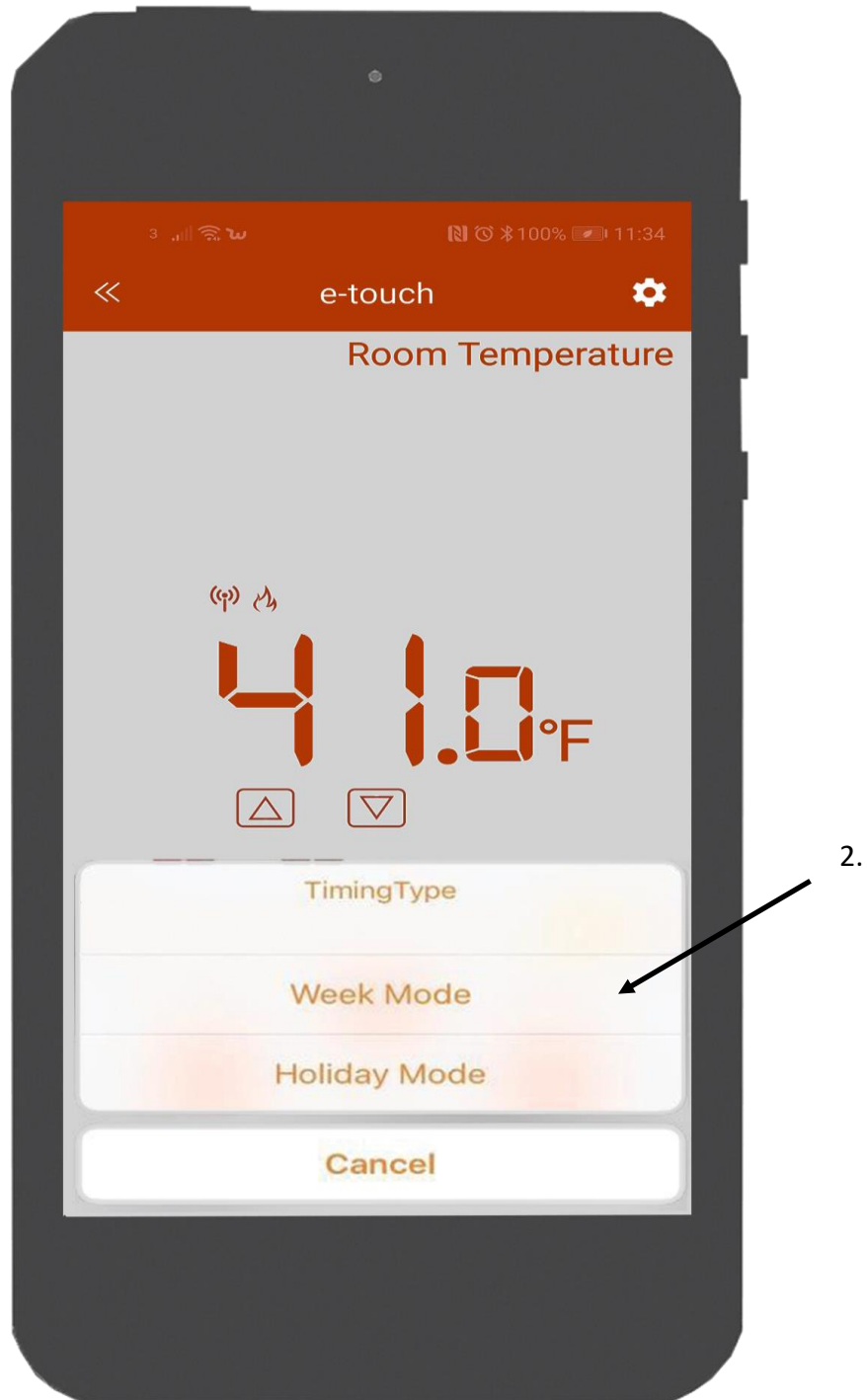
- 5) Once the e-touch App has discovered your product, the above screen will appear.
- 6) To connect your fireplace simply click on the fireplace icon.
- 7) Your product will now be paired and ready to operate.



- A) ON & OFF key—Single press to turn product on or off.
- B) Setup/Seven day programmable timer keys—Used to navigate timer options
- C) Heat high/heat low keys—Single press to select 750 or 1.5KW of heat output.
- D) Dimmer keys—Single press to increase or decrease the brightness of flame effect.
- E) Temperature control keys—Single press to increase or decrease temperature when setting desired room temperature. **(Please note to activate the heater the temperature must be set higher than the ambient room temperature. To de-activate the heater the temperature must be set lower than the ambient room temperature).**
- F) Room temperature display—This displays the desired room temperature

**PLEASE NOTE:** The 7 day timer is only active when 'Week' or 'Holiday' is highlighted

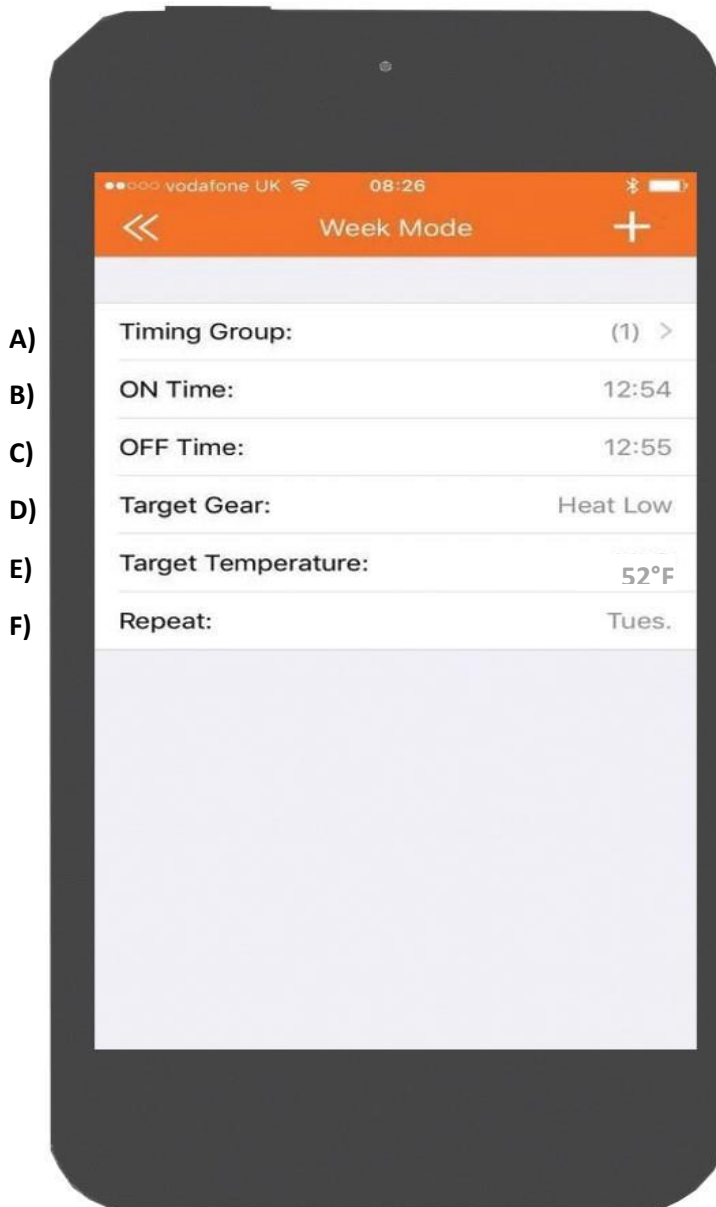
## Programming the seven-day timer:



To access the program the 7 day programmable timer please follow the below steps.

1. Click the 'TIME SET' button on the home screen, and the above image will appear.
2. Click the 'WEEK MODE' button and the timer summary screen will appear, see over page.

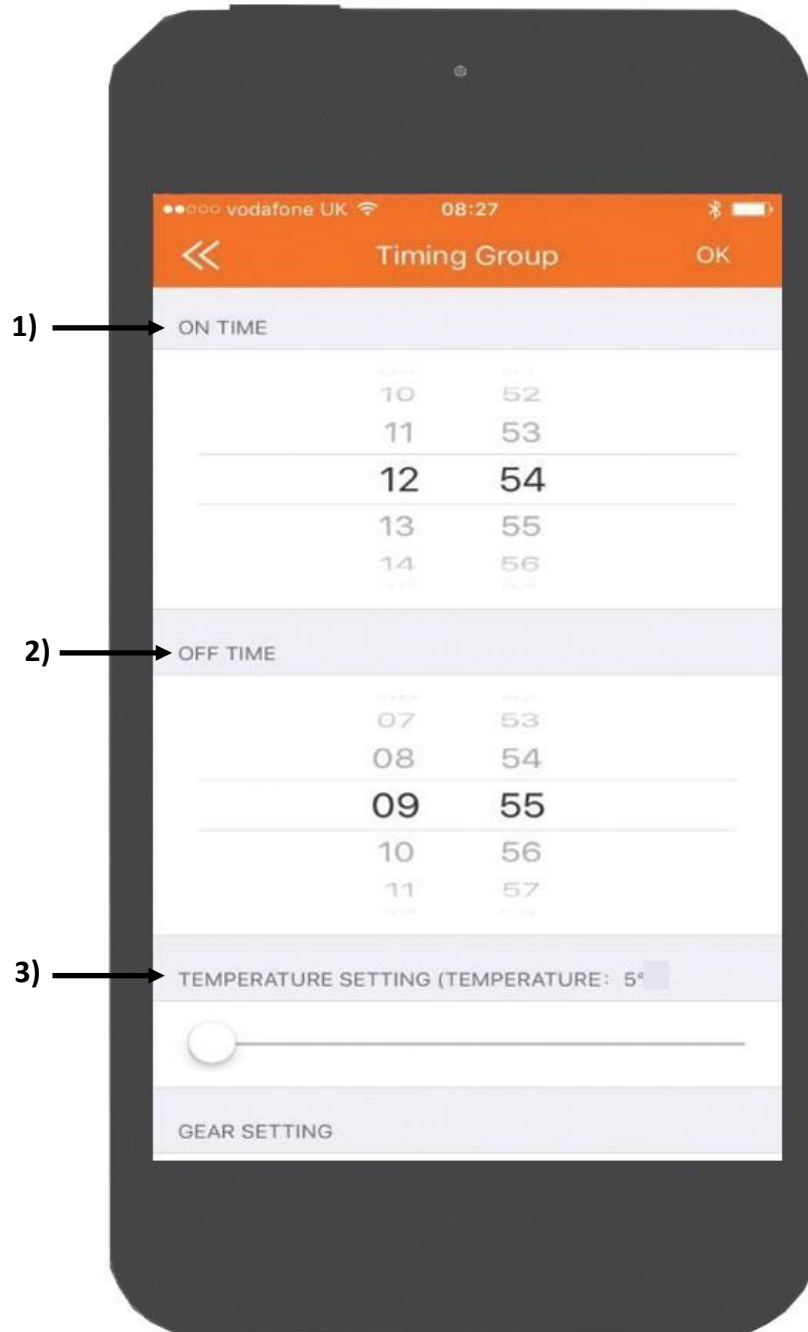
## Timer Summary Screen:



- A) Timer group—click to add one or more timing groups or weeks
- B) On time—Click to set a time for the heater to switch on (ON)
- C) Off time—Click to set a time for the heater to switch off (OFF)
- D) Target Gear—Click to set the heater to switch on Heat low or High
- E) Target temperature—Click to set what temperature you would like the program to reach before the thermostat is activated.
- F) Repeat—Click to set what day(s) you would like the program to repeat.

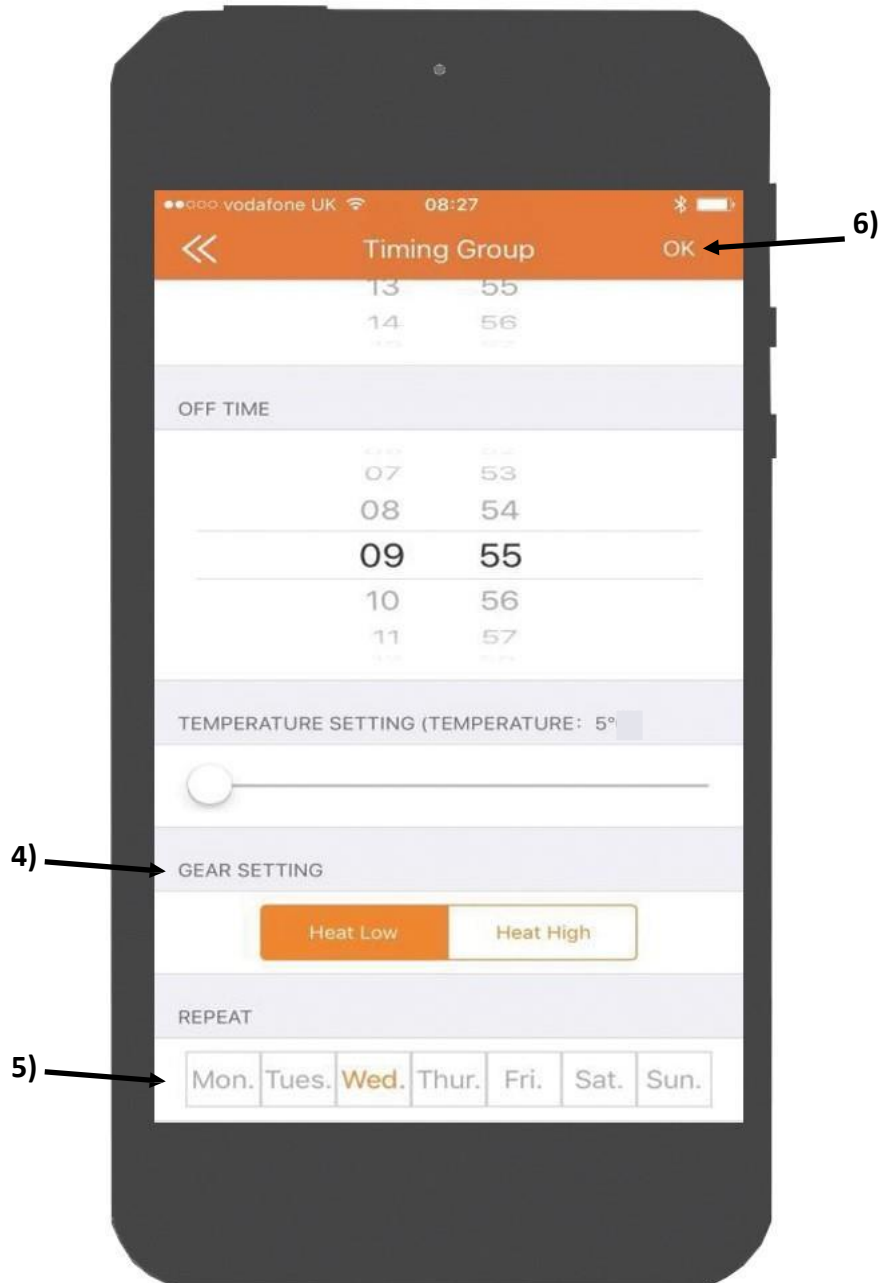


## Programming the 7 day timer continued:



To set a timing program please follow the below steps:

1. Select the time on which you would like the heater to activate.
2. Select the time on which you would like the heater to de-activate.
3. Select the temperature you would like the heater to activate at.



4. Select the gear setting or power on which power you would like the heater to activate on (heat low—1kw) or (heat high—2kw).

5. Select on which day or days you would like your timing program to activate or repeat.

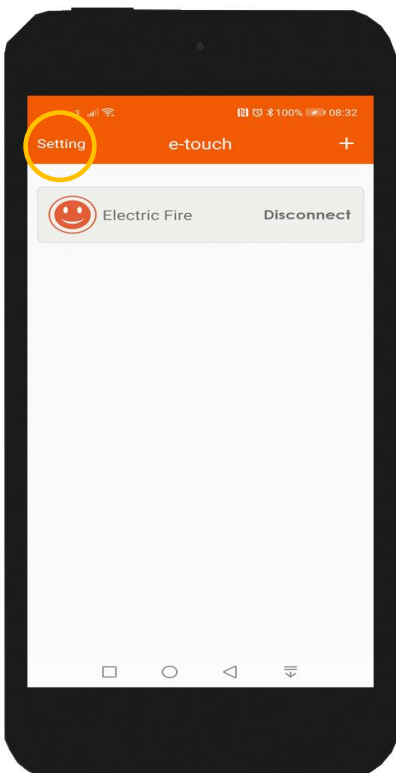
6. To confirm your timing program click OK.

7. Ensure that the 'WEEK' button is highlighted on the home screen to activate your timing program.

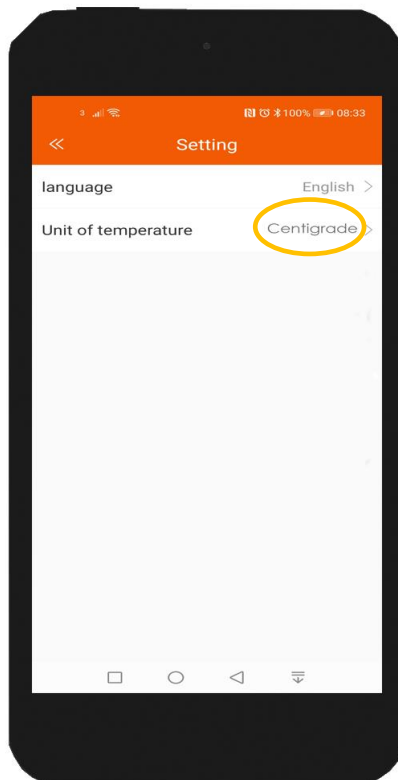
**Once you have activated your timing program, this can be bypassed by highlighting the 'HOLIDAY' button on the home screen.**

# Changing units of temperature:

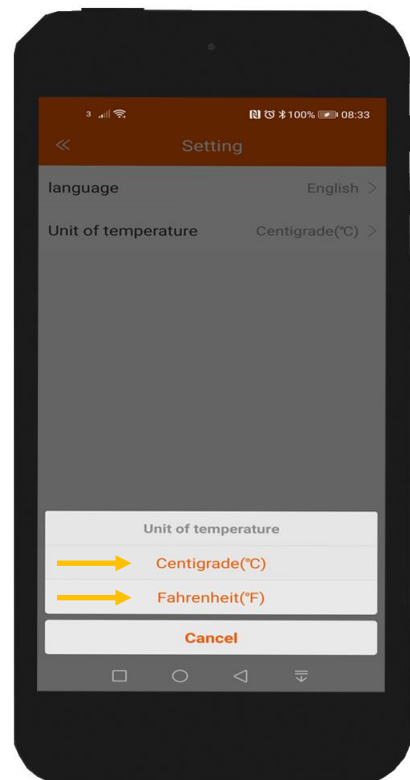
1.



2.



3.



1. On the app home screen, in the top left corner you will see the setting icon. Press to open.
2. You will then see the 'Unit of temperature' option. Press to open the selection panel.
3. You will then be able to select your preferred unit of temperature.