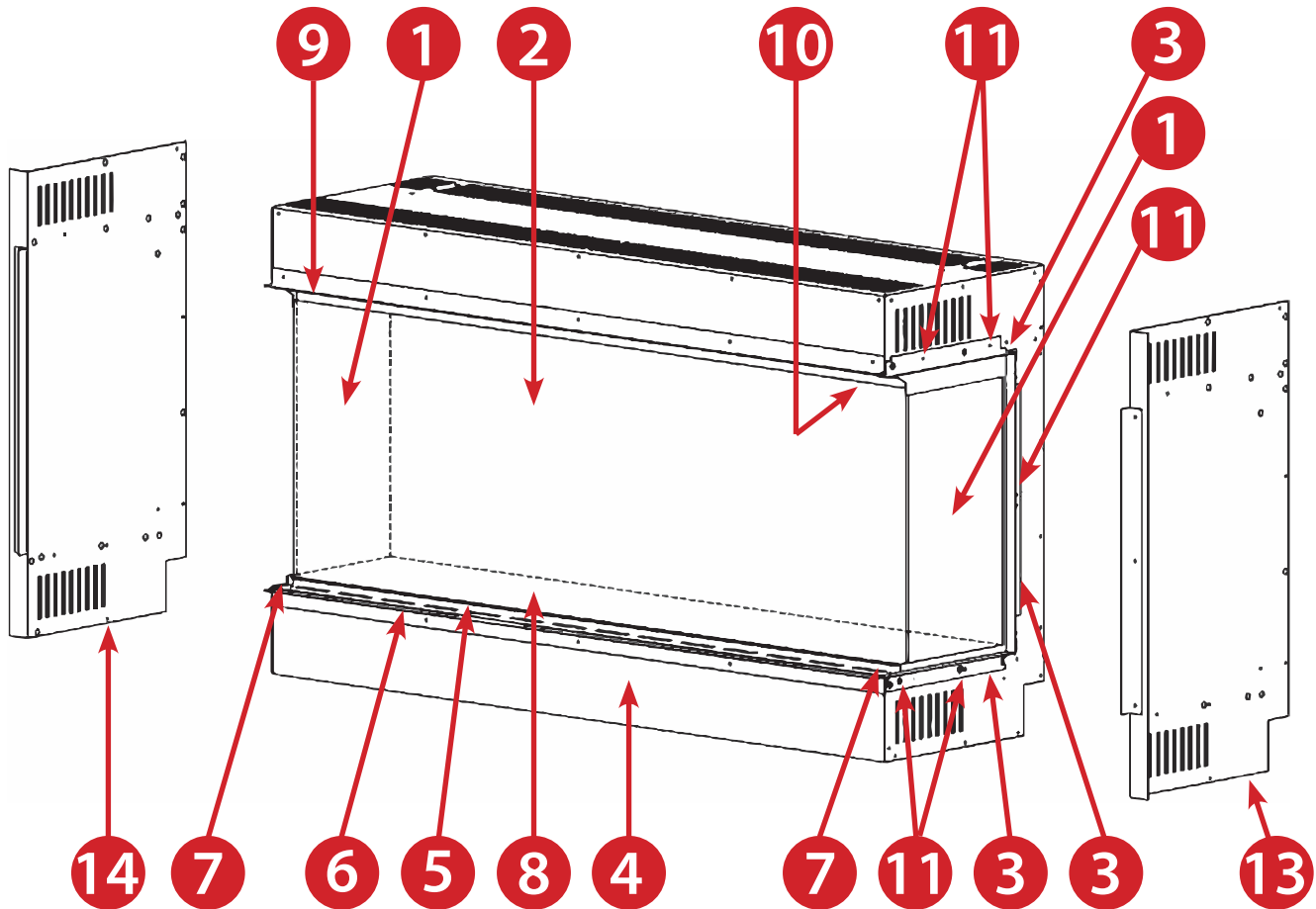


ELECTRIC FIREPLACE CONVERSION INSTRUCTIONS



All E Series and Halo electric fireplaces ship as a 3-Sided model with a conversion kit to easily transform it into a Corner Style or Single-Sided unit.

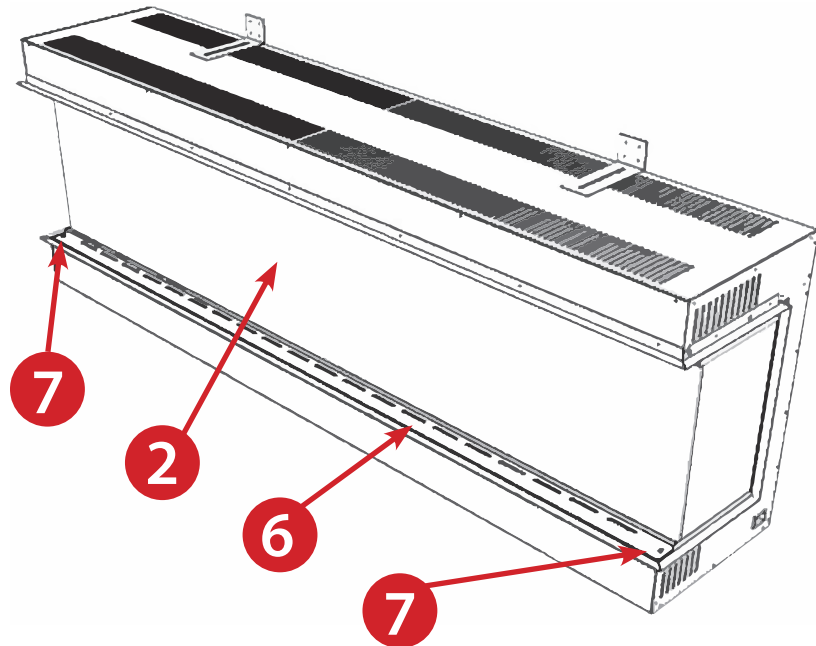


| ITEM | DESCRIPTION | QTY |
|------|---|-----|
| 1 | Side Glass | 2 |
| 2 | Front Glass | 1 |
| 3 | Plaster Kit (3 of Left Side, 3 of Right Side) | 6 |
| 4 | Main Housing | 1 |
| 5 | Front Glass Bottom Support | 1 |
| 6 | Front Glass Bottom Retainer | 1 |
| 7 | Front Glass Bottom Retainer Screws | 2 |
| 8 | Fuel Bed | 1 |

| ITEM | DESCRIPTION | QTY |
|------|---|-----|
| 9 | Side Glass Top Retainer (Internal) | 2 |
| 10 | Side Glass Top Retainer (Internal) Screws | 4 |
| 11 | Plaster Kit Screws | 16 |
| 12 | In-Fill Side Piece Screws | 16 |
| 13 | In-Fill Right Side | 1 |
| 14 | In-Fill Left Side | 1 |

ELECTRIC FIREPLACE CONVERSION INSTRUCTIONS

Removing the Front and Side Glass (items 1 & 2)



Step 1 - Remove the 2 screws (item 7) that secure the front glass bottom retainer (item 6) to the fuel bed (item 8).

Step 2 - Lift off the front glass retainer (item 6). Using the suction cup supplied (right) carefully remove the front glass (item 2) by lifting up on the glass and sliding out the bottom towards you.

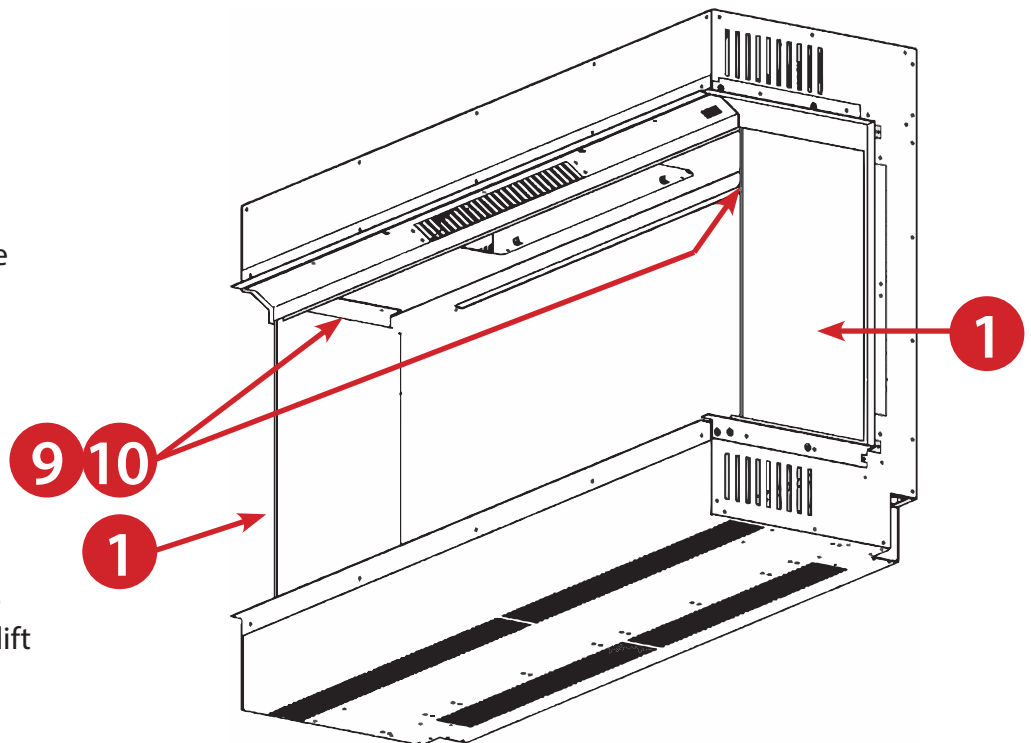


PLEASE NOTE

The suction cup is provided for SUPPORT ONLY, not to hold the full weight of the glass.

It is recommend that this step is carried out by two people to reduce the risk of injury.

Step 3 - Remove the two side glass top retainer brackets (item 9) by taking out the 4 screws (item 10), two on each bracket.



Step 4 - Carefully tilt the side glass inwards at the top and lift away from unit.

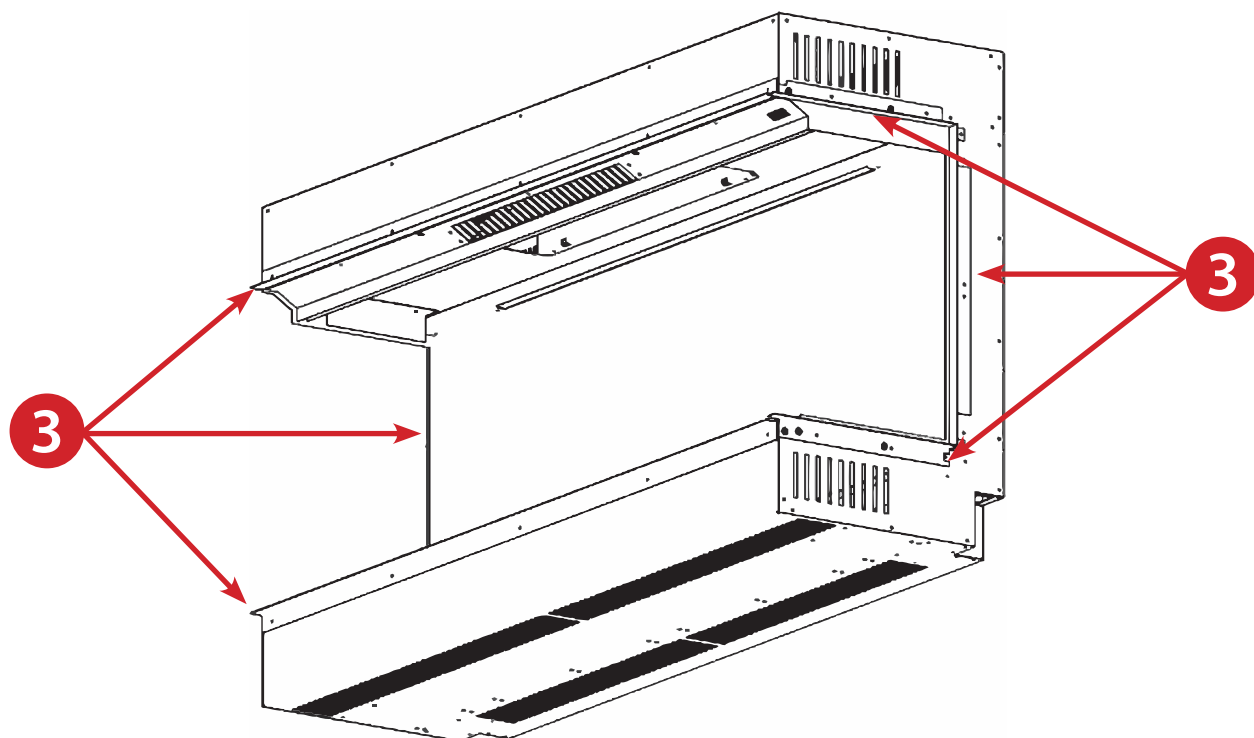
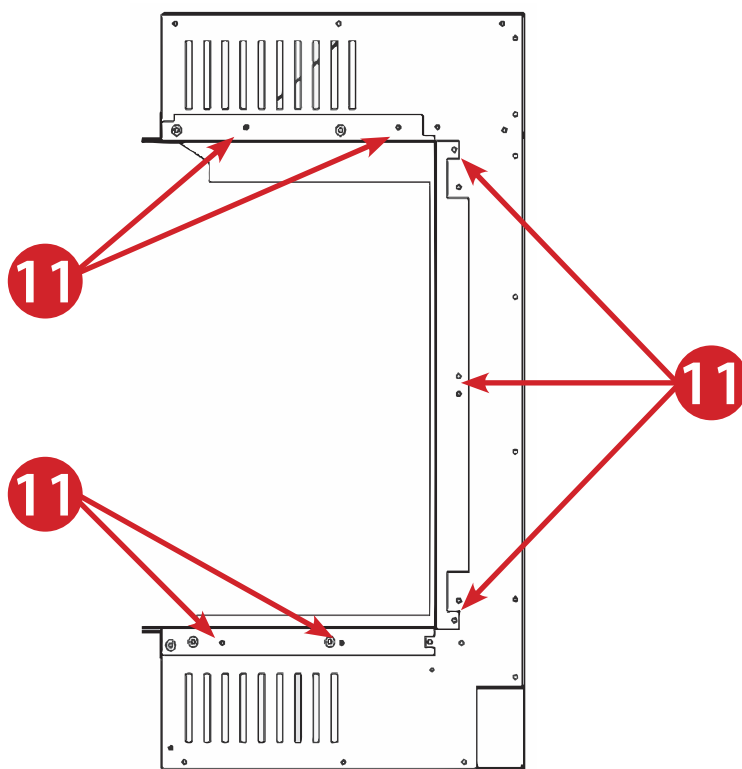
ELECTRIC FIREPLACE CONVERSION INSTRUCTIONS

Removing the Plaster Kit (item 3)

Step 5 - Remove the plaster kit screws (item 11) using a Phillips screwdriver (not supplied).

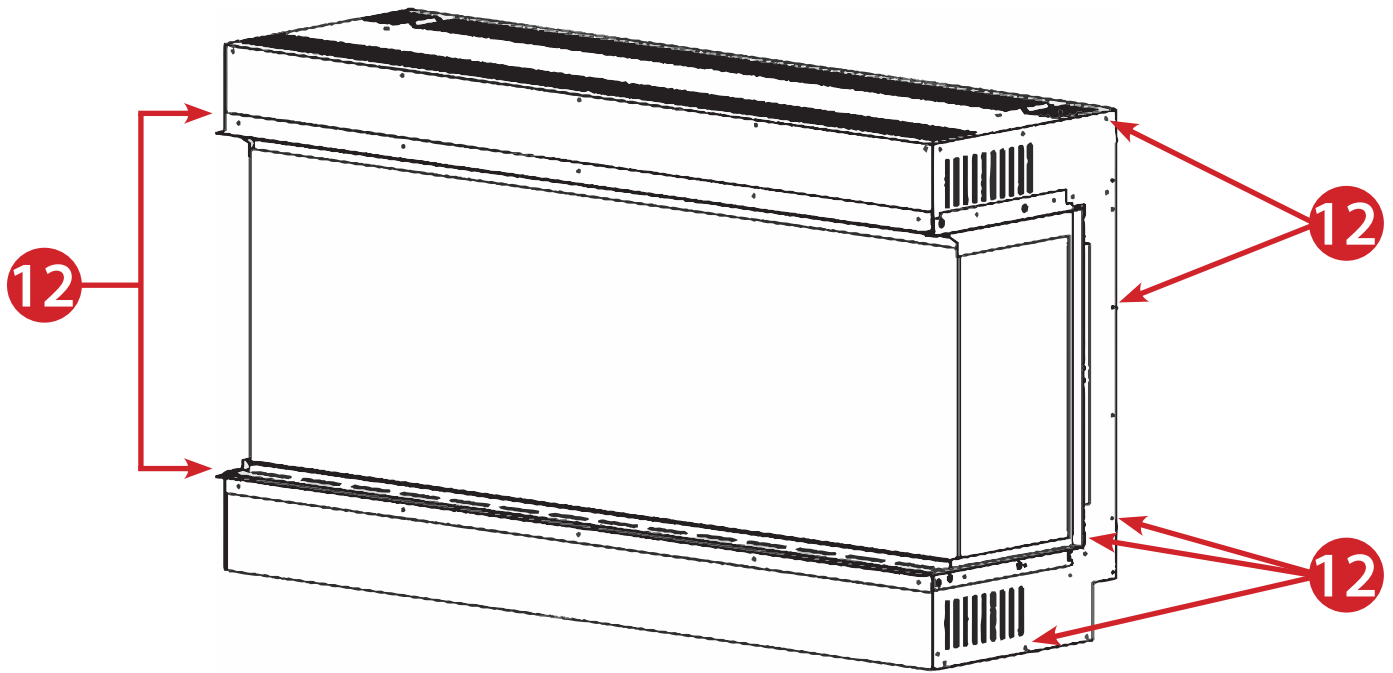
NOTE: Insure to keep screws for future reference.

Step 6 - Remove the plaster kit (item 3) from both sides of the unit.



ELECTRIC FIREPLACE CONVERSION INSTRUCTIONS

Fitting In-Fill Sides (items 13 & 14)



Step 6 - Remove in-fill screws (item 12).

Step 7 - Place the in-fill sides over the existing side pieces (items 13 & 14).

Step 8 - Using the in-fill side screws (item 12) together with the Plater Kit screws (item 11), that were removed in the previous section, secure the left and right in-fill sides (items 13 & 14) to the unit.

Note: These sides (items 13 & 14) are not swappable and are two different parts

