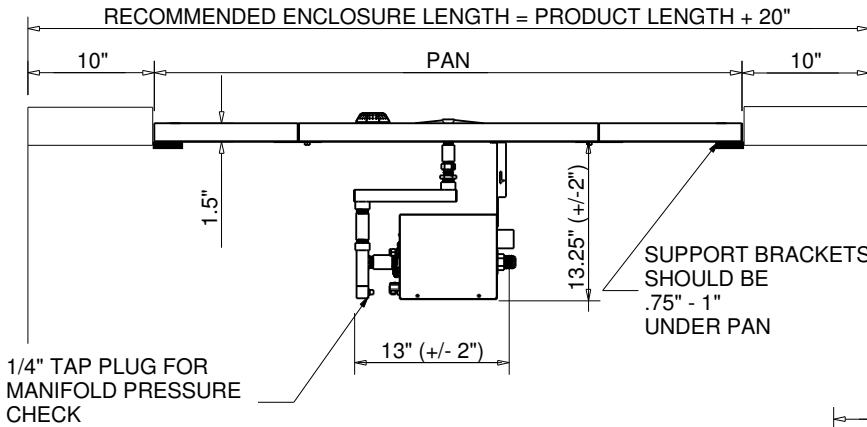
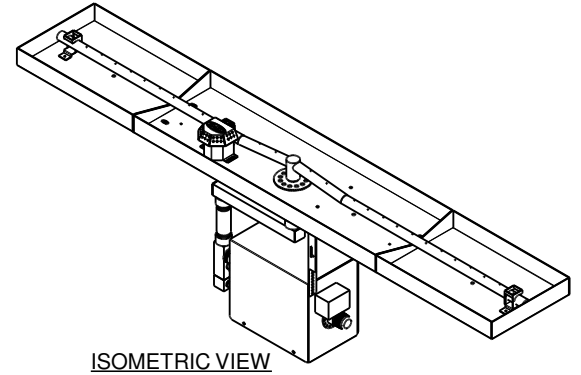




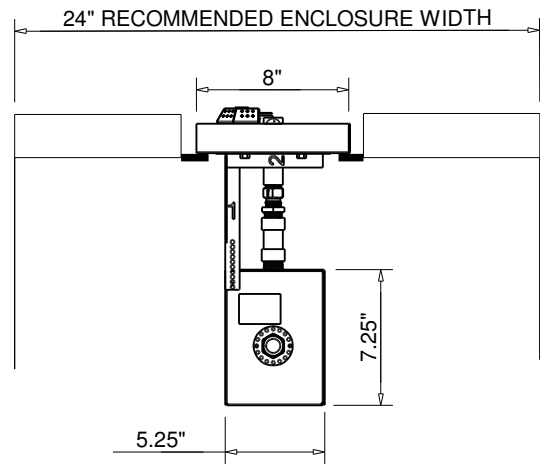
**Hearth Products Controls Co**  
**CSA CERTIFIED-OUTDOOR USE ONLY**  
**FOR COMMERCIAL AND RESIDENTIAL USE**



**SIDE ELEVATION**



**ISOMETRIC VIEW**



**FRONT ELEVATION**

**AVAILABLE IN:**

- 120VAC OR 24VAC
- On/Off OR Hi/Low

**MATERIAL: 304 STAINLESS STEEL**

**Hi/Lo MODELS HAVE A 40% REDUCTION IN BTU ON LOW SETTING**

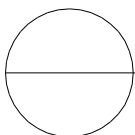
PART NUMBERS	STND BTU	DIMENSION CHART	
		PAN	BURNER
25X8SSEI-L	50K	25"	24"
37X8SSEI-L	75K	37"	36"
49X8SSEI-L	100K	49"	48"
61X8SSEI-L	125K	61"	60"
73X8SSEI-L	150K	73"	72"
97X8SSEI-L	200K	97"	96"
121X8SSEI-L	250K	121"	120"

**Notes:**

- PROPER VENTING**
  - ENCLOSURES: Recommend 4 each 18 sq.in. vents on opposing sides (Minimum 2 each 18 sq.in. vents).
  - BOWLS (Copper, concrete or metal) - Bowl to be raised above mounting surface minimum of 3/4" gap; Bowl to have a minimum of 6" diameter hole in bottom
- GAS SUPPLY - FOR USE WITH FIXED PIPING SYSTEMS ONLY - NOT FOR USE WITH SMALL TANKS.**
  - Natural Gas: Operating Supply Pressure: Minimum: 6.0" W.C.; Maximum: 7.0" W.C.
  - LP Gas: Operating Supply Pressure: Minimum: 10.0" W.C.; Maximum: 11.0" W.C.

**IMPORTANT:** Ensure any flex line that may be used from the permanent main fuel supply to the product is rated to the stated max btu of the product and certified to ANSI Z21.75\*CSA 6.27.

5. MODIFICATION OF PRODUCT WILL VOID ANY CERTIFICATION AND WARRANTY.
6. FOLLOW ALL MANUFACTURER INSTALLATION INSTRUCTIONS AND LOCAL CODES.
7. ALL DIMENSIONS ARE CONSIDERED TRUE AND REFLECT MANUFACTURER'S SPECIFICATIONS AS OF THE REVISION DATE.
8. DO NOT SCALE DRAWING.
9. THESE DRAWINGS ARE FOR SIZING AND PLANNING PURPOSES. ALL INFORMATION CONTAINED HEREIN WAS CURRENT AT THE TIME OF DEVELOPMENT. THE MANUFACTURER'S RESPONSIBLE FOR THE ACCURACY OF THE DRAWING.
10. CONTRACTOR'S NOTE: FOR PRODUCT AND COMPANY INFORMATION VISIT [www.CADdetails.com/info](http://www.CADdetails.com/info) REFERENCE NUMBER 771-043.



**ELECTRONIC IGNITION**

**EI LINEAR - FLAME SENSING WITH ELECTRONIC HOT SURFACE IGNITION**