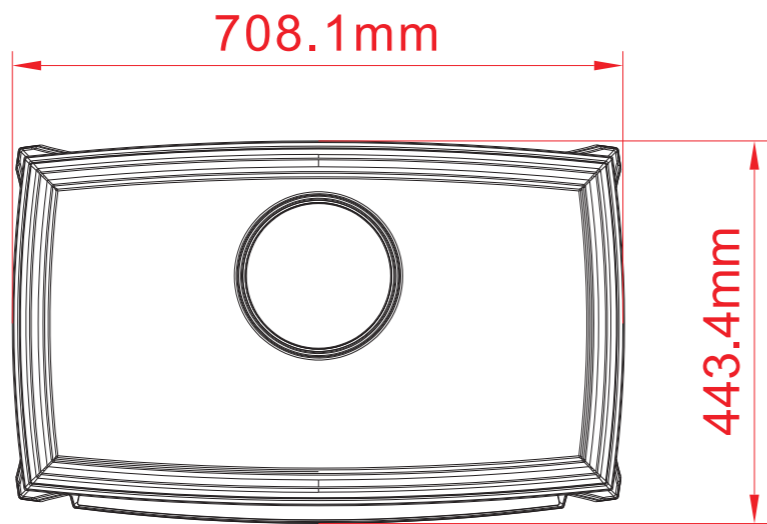
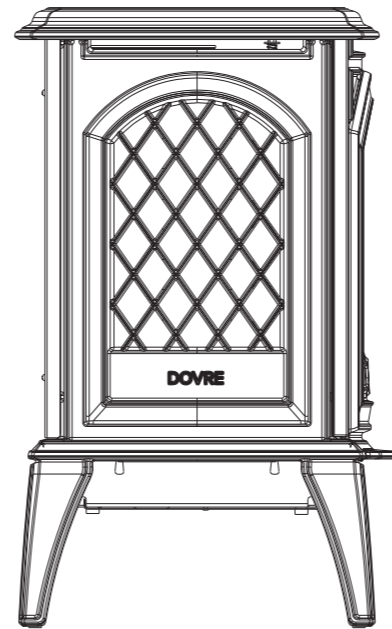
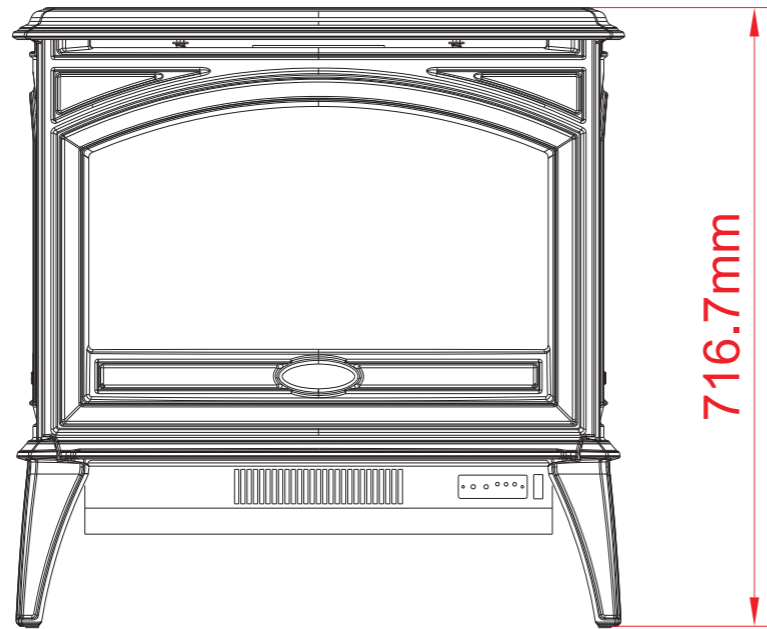


### TECHNICAL SPECIFICATIONS

VOLTS	120	
AMPS	12.5	
WATTS	1500	
HEATER	HIGH	1500 watts
	LOW	750 watts
NO HEATER	19 watts	
LAMPS	TYPE	LED
	WATTS	
	TOTAL WATTS	19 watts
ROTOR MOTOR	1 at 5 watts	
HEIGHT,WIDTH,DEPTH	28 1/4" x 27 7/8" x 17 1/2"	
GLASS VIEWING OPENING	00" X 00 0/0"	
GLASS SIZE	13 1/8" X 21 1/4"	
SHIPPING SIZE	16 6/8" x 28 1/4" x 25 5/8"	
SHIPPING WEIGHT	140.9 lbs	
	UNIT	129.8 lbs
GLASS FRONT	Included	
PLUG LOCATION	Left Side	
CORD LENGTH	76"	
APPROX. HEATING AREA	400 sq ft	

*Amantii*

SERIES	MODEL		REV
	E70		1
SCALE 1"=1'-0"	DATE: 9/21/2019	SHEET 1 OF 1	



### TECHNICAL SPECIFICATIONS

VOLTS	120	
AMPS	12.5	
WATTS	1500	
HEATER	HIGH	1500 watts
	LOW	750 watts
NO HEATER	19 watts	
LAMPS	TYPE	LED
	WATTS	
	TOTAL WATTS	19 watts
ROTOR MOTOR	1 at 5 watts	
HEIGHT,WIDTH,DEPTH	71.7 x 70.8 x 44.3 cm	
GLASS VIEWING OPENING	00 X 00 cm	
GLASS SIZE	33.3 X 53.9 cm	
SHIPPING SIZE	42.5 x 71.7 x 65.2 cm	
SHIPPING WEIGHT	63.9 Kgs	
	UNIT	58.9 Kgs
GLASS FRONT	Included	
PLUG LOCATION	Left Side	
CORD LENGTH	193 cm	
APPROX. HEATING AREA	37 sqm	

*Amantii*

SERIES	MODEL		REV
	E70		1
SCALE 1:12	DATE: 9/21/2019	SHEET 1 OF 1	