

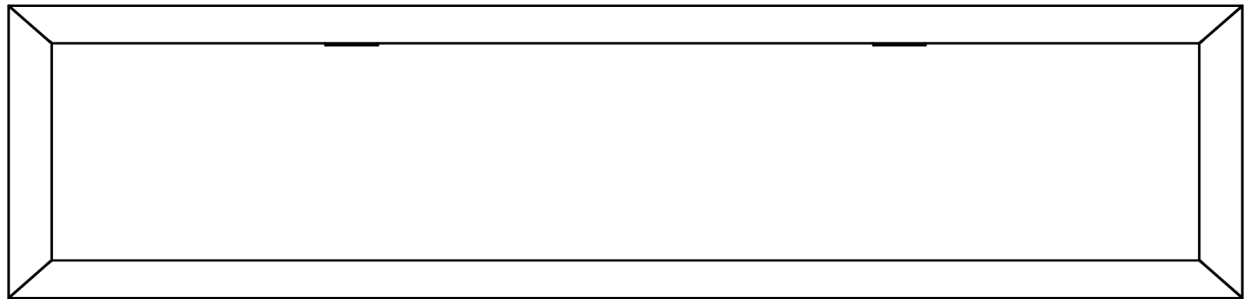
DYNASTY FIREPLACES

Cascade Series

Linear smart electric fireplace • Cheminée électrique linéaire intelligente



Installation Instructions & Operating Manual Manuel d'Installation & d'Utilisation



Models / Modèles

DY-BTX42 | DY-BTX52 | DY-BTX64 | DY-BTX74 | DY-BTX82 | DY-BTX100

READ CAREFULLY BEFORE ATTEMPTING TO ASSEMBLE, INSTALL, OPERATE, OR MAINTAIN THIS PRODUCT.

PROTECT YOURSELF AND OTHERS BY OBSERVING ALL SAFETY INFORMATION. FAILURE TO COMPLY WITH INSTRUCTIONS COULD RESULT IN PERSONAL INJURY AND/OR PROPERTY DAMAGE.

LIRE ATTENTIVEMENT AVANT D'ESSAYER D'ASSEMBLER, D'INSTALLER, D'UTILISER, OU D'ENTREtenir CE PRODUIT.

PROTÉGEZ-VOUS ET VOTRE ENTOURAGE EN RESPECTANT LES CONSIGNES DE SÉCURITÉ. LE NON-RESPECT DE CES CONSIGNES POURRAIT CAUSER DES BLESSURES CORPORELLES ET / OU DES DOMMAGES MATÉRIELS.

WARNING: To reduce risk of fire, electrical shock, or personal injury, read and understand all instructions, including safety information before plugging in and operating.

AVERTISSEMENT: Pour réduire le risque d'incendie, de décharge électrique, ou de blessures corporelles, lisez et assurez-vous de comprendre toutes les instructions, y compris les consignes de sécurité, avant de brancher et d'utiliser cet appareil.



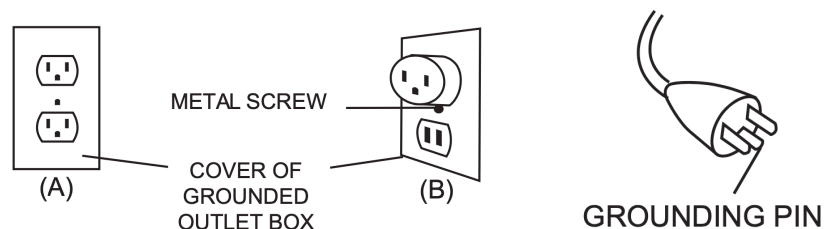
SAFETY INFORMATION

- **Read all instructions before using this heater!**
- This heater is **hot when in use**. To avoid burns, **DO NOT** let bare skin touch **hot** surfaces. If provided, use handles when moving this heater. Keep **combustible materials**, such as furniture, pillows, bedding, papers, clothes, and curtains at least **3 feet (0.9m)** from the **front of the heater** and **keep them away from the sides and rear**.
- **Extreme caution** is necessary when any heater is used by or near **children** or **invalids** and whenever the heater is left **operating and unattended**.
- **DO NOT** operate any heater with a **damaged cord or plug** or after the **heater malfunctions**, has been **dropped** or **damaged in any manner**. Discard heater or return to authorized service facility for examination and/or repair.
- **DO NOT** run **power cord** under carpeting. **DO NOT** cover power cord with throw rugs, runners, or similar coverings. **DO NOT** route power cord under furniture or appliances. Arrange power cord **away from traffic** area, and where it will not be tripped over.
- **DO NOT** insert or allow **foreign objects** to enter any **ventilation or exhaust opening**, as this may cause **electric shock** or **fire**, or **damage the heater**.
- To prevent a possible fire, **DO NOT** block air intakes or exhaust in any manner. Doing so could cause a **fire**. **DO NOT** use on soft surfaces, like a bed, where openings may become blocked.
- A heater has **hot and arcing or sparking parts inside**. **DO NOT** use it in areas where **gasoline, paint, or flammable liquids** are used or stored.
- **Use this heater only as described in this manual**. Any other use not recommended by the manufacturer may cause fire, electric shock, or injury to persons.
- **ALWAYS** plug heaters directly into a wall outlet/receptacle. **NEVER** use with an extension cord or relocatable power tap (outlet/power strip).
- **DO NOT** place the heater near a bed because objects such as pillows or blankets can fall off the bed and be ignited by the heater.
- **NEVER** use this heater in **bathrooms, laundry rooms**, or any other location where the heater could fall into a **bathtub** or **pool, become damp**, or **come in contact with water**.
- **AVOID FIRE!** Regularly inspect all air vents to make sure they are free from dust, lint, or other blockage. **Unplug the unit** and clean with a **vacuum ONLY**. **DO NOT** rinse or get wet.
- **NEVER** hang this unit on a wall **directly below an electrical outlet**.
- **NEVER** permanently install in a **recessed area of the wall**. This may result in **blocked air flow, overheating, or fire**.
- **ALWAYS** secure to wall framing before use.

SAFETY INFORMATION

- **WARNING: REDUCE THE RISK OF FIRE OR ELECTRIC SHOCK--DO NOT USE THIS HEATER WITH ANY SOLID-STATE SPEED CONTROL DEVICES.**
- This product is **not intended** to be a **primary heat source**. It is for **supplemental heat only**.
- **INDOOR use only! NEVER use this heater outdoors!** Doing so may result in **electric shock!**
- **Risk of electric shock! DO NOT OPEN!** No user-serviceable parts inside!
- **NEVER modify this heater.** Doing so could result in personal **injury** or property **damage**. Modification of this fireplace **completely voids all warranties**.
- **ALWAYS** turn this heater off before unplugging it from the outlet.
- **ALWAYS disconnect** this unit from the **power supply before** performing any assembly or cleaning, or before relocating the electric fireplace.
- **NEVER** leave this heater unattended. **ALWAYS** unplug this heater when not in use.
- **ALWAYS** store this heater in a dry location. **NEVER** use the fireplace if it has become wet.A
- **ONLY** use this heater on a **120V AC 15-Amp circuit. NEVER overload the circuit.** If this heater trips the circuit breaker, unplug all other appliances on the same circuit before the next use. Avoid plugging other appliances into the same circuit as this heater.
- **NEVER** plug this heater into an outlet that is **old, cracked,** or has any **loose wires or connections**. Plugging this heater into a faulty outlet could result in **electric arcing** within the outlet that could cause the **outlet to overheat or catch fire**.
- **ALWAYS** check your heater cord and plug connections with **each use!**
 1. **MAKE SURE** the plug fits tight in the outlet! Faulty wall outlet connections or loose plugs can cause the outlet to overheat.
 2. **Heaters draw more current** than small appliances. **Overheating** may occur even if it has not occurred with the use of other appliances.
 3. During use **check frequently** to see if the **plug outlet or faceplate is HOT!** If the outlet or faceplate is **HOT, discontinue use immediately** and have a qualified electrician inspect and/or replace the faulty outlets.

This heater has a polarized plug (one blade is wider than the other). As a safety feature to reduce the risk of electrical shock, this plug is intended to fit in a polarized outlet only one way. If the plug does not fit fully in the outlet, reverse the plug. If it still does not fit, contact a qualified electrician. Do not attempt to defeat this safety feature.



GENERAL SPECIFICATIONS

ELECTRICAL SPECIFICATIONS (all models)

INPUT VOLTAGE	120V AC, 60 Hz
CABLE LENGTH	72", 2.0m
MAX. POWER CONSUMPTION	1500W
HEAT OUTPUT	1500W Nominal
	1500W Max.
	750W Min.

FLAME ONLY OPERATION

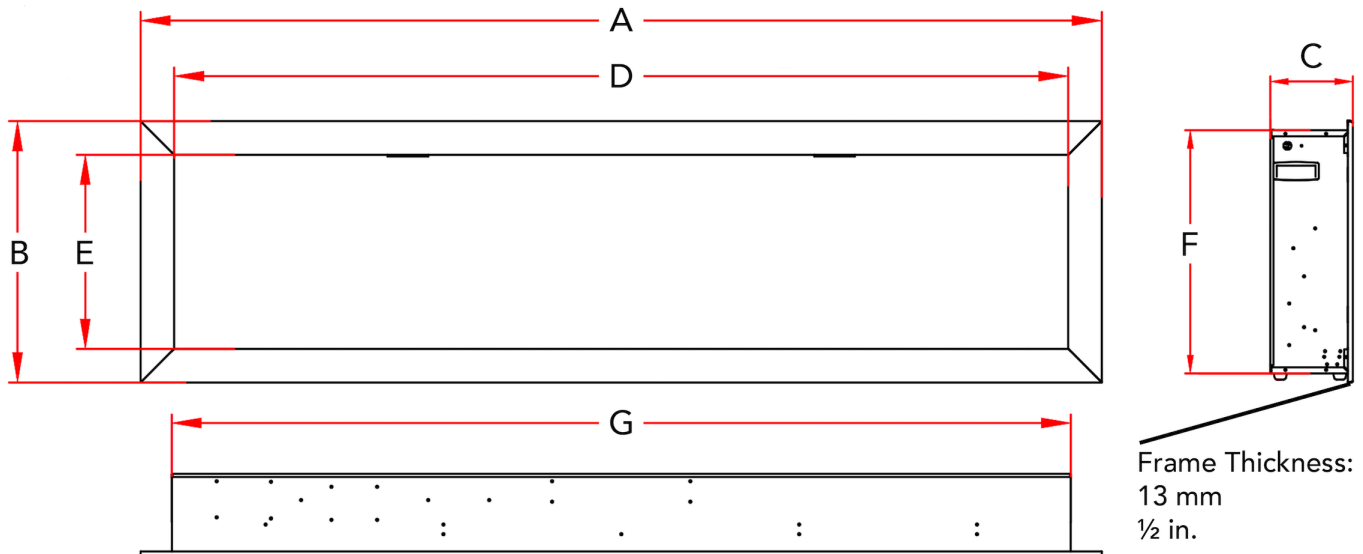
DY-BTX42	DY-BTX52	DY-BTX64
25 W	32 W	34 W

DY-BTX74	DY-BTX82	DY-BTX100
41 W	46 W	51 W

WiFi OPERATION

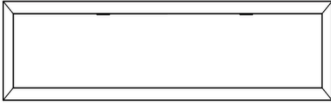





- Connect on 2.4 GHz network only
WiFi 802.11 b/n/g

PRODUCT DIMENSIONS



Model	A	B	C	D	E	F	G
DY-BTX 42	1079 mm	514 mm	165 mm	946 mm	381 mm	480 mm	956 mm
	42 1/2 in.	20 1/4 in.	6 1/2 in.	37 1/4 in.	15 in.	18 7/8 in.	37 5/8 in.
DY-BTX 52	1333 mm	514 mm	165 mm	1200 mm	381 mm	480 mm	1210 mm
	52 1/2 in.	20 1/4 in.	6 1/2 in.	47 1/4 in.	15 in.	18 7/8 in.	47 5/8 in.
DY-BTX 64	1638 mm	514 mm	165 mm	1505 mm	381 mm	480 mm	1514 mm
	64 1/2 in.	20 1/4 in.	6 1/2 in.	59 1/4 in.	15 in.	18 7/8 in.	59 5/8 in.
DY-BTX 74	1892 mm	514 mm	165 mm	1759 mm	381 mm	480 mm	1768 mm
	74 1/2 in.	20 1/4 in.	6 1/2 in.	69 1/4 in.	15 in.	18 7/8 in.	69 5/8 in.
DY-BTX 82	2096 mm	514 mm	165 mm	1962 mm	381 mm	480 mm	1972 mm
	82 1/2 in.	20 1/4 in.	6 1/2 in.	77 1/4 in.	15 in.	18 7/8 in.	77 5/8 in.
DY-BTX 100	2553 mm	514 mm	165 mm	2421 mm	381 mm	480 mm	2432 mm
	100 1/2 in.	20 1/4 in.	6 1/2 in.	95 1/4 in.	15 in.	18 7/8 in.	95 5/8 in.

PACKAGE CONTENTS

CONTENT IN PACKAGING		
 <p>(A) FIREPLACE x 1</p>	 <p>(B) REMOTE CONTROL x 1</p>	 <p>(C) AAA BATTERY x 2</p>
 <p>(D) CRYSTAL STONES SET x 1</p>	 <p>(E) FAUX LOG SET x 2</p>	 <p>(F) USER MANUAL x 1</p>

PLEASE REMOVE ACCESSORIES AND MANUAL BEFORE DISCARDING PACKAGING

For warranty, parts, or product support, please visit our site at:

support.dynastyfireplaces.com

Contact us at: **support@dynastyfireplaces.com**

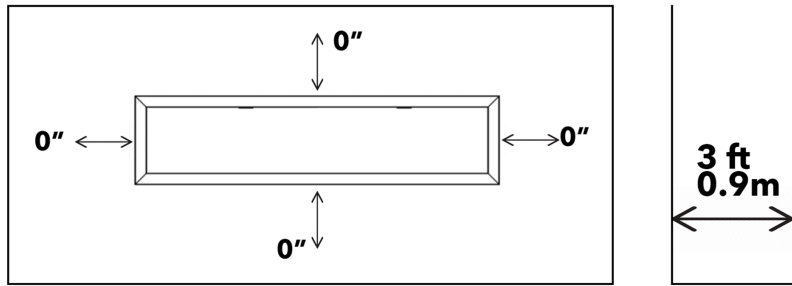
INSTALLATION

LOCATING YOUR ELECTRIC FIREPLACE

Your new electric fireplace may be installed virtually anywhere in your home. However, when choosing a location, ensure that the general instructions are followed. For best results, install out of direct sunlight. Power supply service must be either completed or placed within the electric fireplace prior to finish to avoid reconstruction.

MINIMUM CLEARANCE TO COMBUSTIBLES

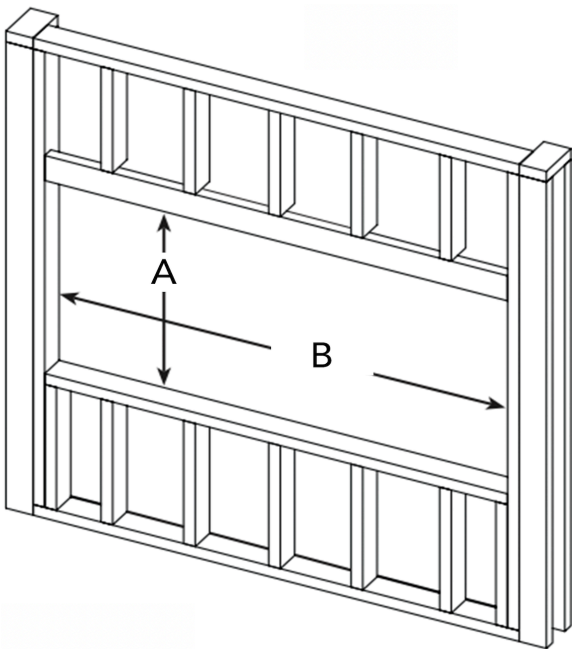
FRONT	BACK	SIDES	TOP	BOTTOM
36" / 0.9m	0"	0"	0"	0"



WARNING! Keep drapery and other furnishings at least 3ft /0.9m from the front of the electric fireplace.

FRAMING & INSTALLATION

Note: Ensure that you leave adequate room to remove and replace the front screen or optional front.

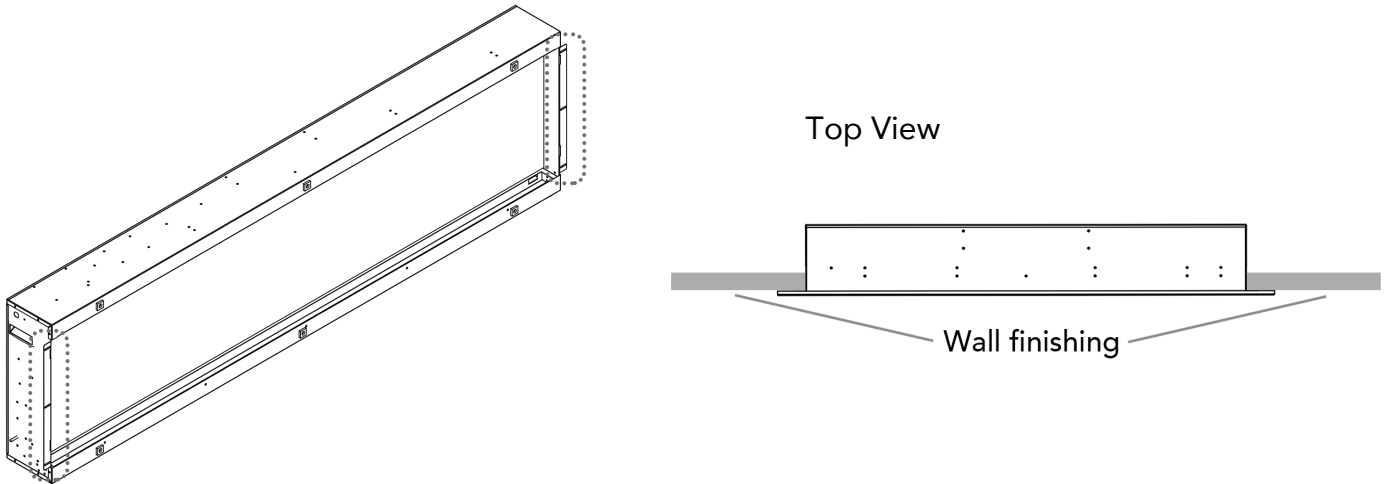


Framing Dimensions

Model	A	B	Depth
DY-BTX 42	495 mm	984 mm	172 mm
	19 ½ in.	38 ¾ in.	6 ¾ in.
DY-BTX 52	495 mm	1238 mm	172 mm
	19 ½ in.	48 ¾ in.	6 ¾ in.
DY-BTX 64	495 mm	1543 mm	172 mm
	19 ½ in.	60 ¾ in.	6 ¾ in.
DY-BTX 74	495 mm	1797 mm	172 mm
	19 ½ in.	70 ¾ in.	6 ¾ in.
DY-BTX 82	495 mm	1994 mm	172 mm
	19 ½ in.	78 ½ in.	6 ¾ in.
DY-BTX 100	495 mm	2451 mm	172 mm
	19 ½ in.	96 ½ in.	6 ¾ in.

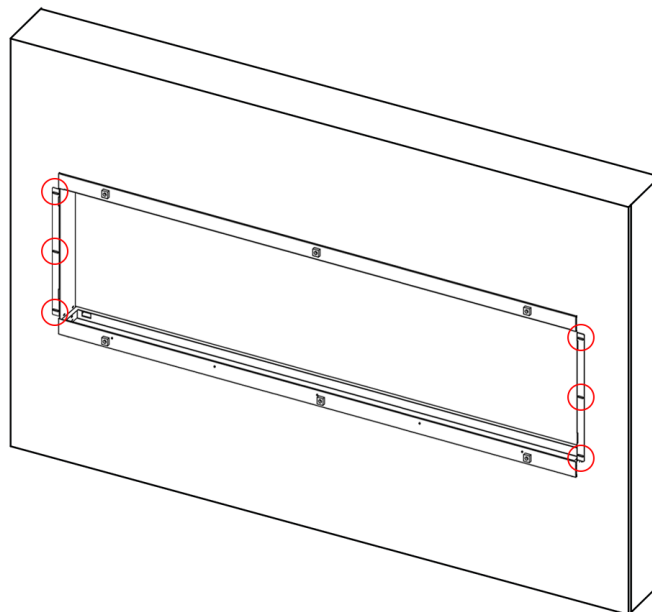
Framing Procedure

1. Build frame according to framing dimensions on previous page and ensure power source is available
2. Remove front glass and trim piece, and set aside (refer to page 8 for instructions)
3. It is recommended to install the fireplace **after** finishing the wall to ensure the side brackets sits flush with the wall finishing



4. After wall has been finished, place fireplace into wall framing and use framing screws to secure the side brackets to wall. Then install front glass and trim piece.

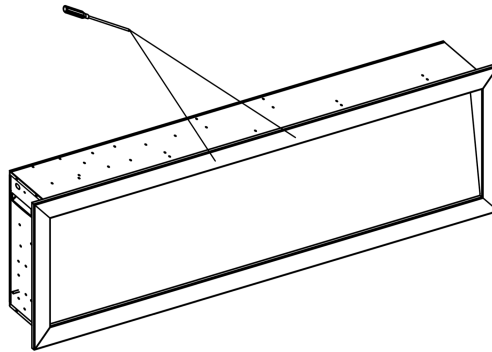
NOTE: There are four rubber feet on the bottom of the fireplace that can be removed before installation



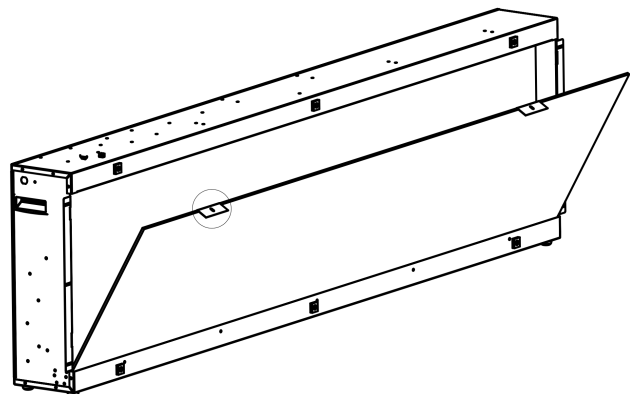
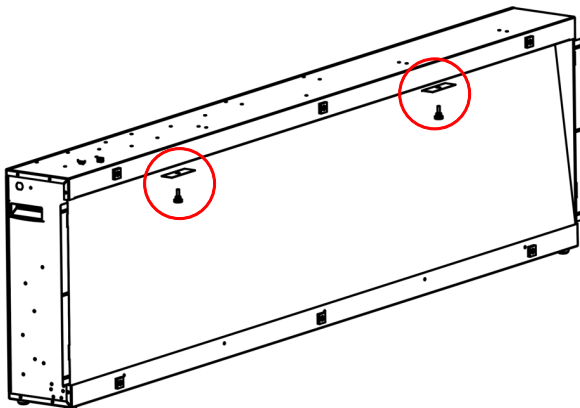
PLACING MEDIA ON FLAME BED

Removing Front Glass

1. Locate the heater louver in the middle of the fireplace underneath the trim. Remove the heater louver by removing the two screws holding it in place, then remove front trim piece

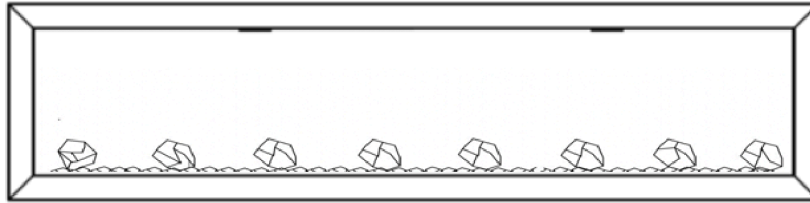


2. Loosen and remove the two front glass clips under the trim. You can use the clips to hook on and remove the glass. Set glass aside in secure location.



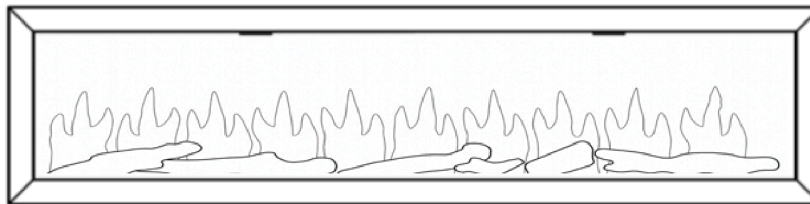
3. For crystal effect:

Carefully spread the small clear crystal stones across the fuel bed. Then evenly arrange the larger crystal stones starting along the inset window ledge at the front of the firebox.



For log effect:

Carefully spread the small clear and semi-painted crystal stones across the fuel bed. Arrange the logs and place the small semi-painted and clear crystal stones in between the log layout.



HARDWIRE OPTION

Plug-in

You may run the power cord out of the framed wall opening to an existing outlet or install an outlet on a nearby wall stud within the wall). If the cord is not long enough to reach the outlet, a grounded extension cord minimum AWG No. 14 wiring and rated to a minimum of 1875 watts may be used.

Hard-wire

A qualified electrician may remove the cord connection and wire the appliance directly to the house hold wiring. The appliance must be electrically connected and grounded in accordance with local codes.

FIREPLACE REPAIR GUIDES

For full detailed instructions and step-by-step guides on how to repair and service the fireplace, including repair and replacement of parts such as LED lights, motor, heater, etc, please visit our support website at:

support.dynastyfireplace.com

SERVICEABLE PARTS LIST

ITEM	DESCRIPTION	PART NUMBER*
1	IR Receiver	DY-BTX-RCV
2	Flame Motor	DY-BTX-MTR
3	Main Control Board	DY-BTX-PCB-XX
4	Remote	DY-BTX-RMT
5	Crystal Media	DY-BTX-CRY-XX
6	Log Media	DY-BTX-LOG-XX
7	Heater	DY-BTX-HTR
8	Flame Bed LED	DY-BTX-FBL-XX
9	Flame LED	DY-BTX-FLD-XX
10	Flicker Rod	DY-BTX-FKR-XX
11	Flame Screen	DY-BTX-FMS-XX
12	Front Trim	DY-BTX-TRM-XX
13	Front Glass	DY-BTX-FGL-XX

NOTE:

*PARTS WITH "XX" AT THE END DENOTES THE SKU OF THE FIREPLACE. FOR EXAMPLE, A DY-BTX64 WILL REPLACE THE "XX" WITH "64"

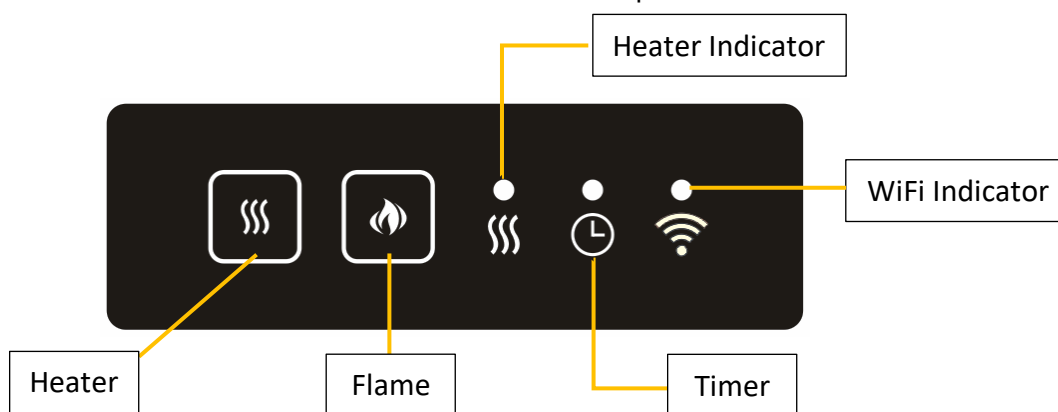
For parts, please contact your dealer, distributor, or point of purchase and provide model number and serial number when requesting service parts

OPERATION

This appliance can be operated by remote control and onboard buttons, however onboard buttons have limited functions. A beep should be heard when the power is first applied.

1. ONBOARD BUTTONS

The onboard buttons are located under the trim on the top left.



Press the **Flame** button to turn on/off the flame LED and cycle through flame brightness levels High/Medium/Low.



Press the **Heater** button to turn on/off the heater and cycle through heat levels High/Low. Heat level is indicated by the **Heater Indicator** light.



Red Indicator: High heat

Blue Indicator: Low heat

Indicator Off: Heater off



Indicator On: Heater timer is set

2. WIFI CONFIGURATION



With the fireplace turned off (flame off, heater off) and supplied with power, press and hold the **Heater** button for 5 seconds, then release. The **WiFi Indicator** will begin flashing indicating the fireplace is ready for setup in the Dynasty App.












The **WiFi Indicator** will remain on once connection to the app is successful.

For more information on WiFi setup, and connecting to voice-assistants visit: support.dynastyfireplaces.com

3. REMOTE CONTROL

In order to protect the product from becoming too hot, there is a 10s delay when turning on the heater; also, there is a 10s delay when turning off the heater fan.

- Make sure the batteries are installed properly in the remote control.
- The effective range of the remote control is up to 4 meters or 13 feet.

BUTTON	MAIN FUNCTION	DESCRIPTION
	turn on/off fireplace	Press to turn the fireplace on or off. This button only turns on or off the flame and flame bed LEDs
	toggle between Celsius and Fahrenheit	Press to change displayed temperature units between Celsius and Fahrenheit
	adjust heater and display temperature	Press the arrows to adjust preset temperature. °C Presets: 16-19-21-23-25-27-30 °F Presets: 61-66-70-73-77-80-86
	toggle on/off flames LED	Press to turn on or off the flames LEDs only
	toggle on/off the flame bed light	Press to cycle through different colours or turn on/off the flame bed LEDs only
	adjust intensity of red, yellow, and blue flames	Press each flame colour button to cycle through 3 different brightness levels and OFF <ul style="list-style-type: none"> • R1, R2, R3 indicates the red intensities • Y1, Y2, Y3 indicates the yellow intensities • B1, B2, B3 indicates the blue intensities
	toggle heater high/low/on/off	<ul style="list-style-type: none"> • High heat: press button until high heat indicator () is displayed on the remote • Low heat: press button until high heat indicator () is displayed on the remote • To turn off heater, press button until both high and low heat indicator are off on the remote display
	set fireplace timer in hour-long increments	Press button to set the fireplace to turn off in: 30min-1h-2h-3h-4h-5h-6h-7h-8h-9h-00 LCD display indicates 30-1H-2H-3H-4H-5H-6H-7H-8H-9H-00
	save favourite flame lights settings	Press and hold for 3 seconds to save 1 setting of the flame LEDs

OPERATION



ALWAYS turn the heater **OFF** and **unplug the power cord from the outlet** before cleaning, performing maintenance, or moving this fireplace. Failure to do so could result in **electric shock, fire, or personal injury**.

Cleaning



NEVER immerse in water or **spray with water**. Doing so could result in **electric shock, fire, or personal injury**.

Metal:

- Buff using a soft cloth, slightly dampened with a mild cleaning solution if needed.
- **DO NOT** use brass polish or household cleaners as these products will damage the metal trim.

Glass:

- Use a good quality glass cleaner and dry thoroughly with a paper towel or lint-free cloth.
- **NEVER** use abrasive cleansers, liquid sprays, or any cleaner that could scratch the surface.

Plastic:

- Wipe gently with a slightly damp cloth and a mild cleaning solution and warm water.
- **NEVER** use abrasive cleansers, liquid sprays, or any cleaner that could scratch the surface.

Vents:

- Use a vacuum or duster to remove dust and dirt from the heater and vent areas.
- Clean the exterior of the fireplace with a slightly damp cloth or duster.

Maintenance



Risk of electric shock! DO NOT OPEN! No user-serviceable parts inside!



ALWAYS turn the heater **OFF** and **unplug the power cord from the outlet** before cleaning, performing maintenance, or moving this fireplace. Failure to do so could result in **electric shock, fire, or personal injury.**

Electrical and Moving Parts:

- The fan motors are lubricated at the factory and will not require lubrication.
- Electrical components are integrated in the fireplace and are not serviceable by the consumer.

Storage:

- Store heater in a clean dry place when not in use.

Replacement parts:

- Use only replacement parts supplied by Dynasty Fireplaces. Use of any other parts, or modifying the fireplace in any way, will void all warranties.
- If you've made a purchase through one of our retailers, contact them to order parts, or contact support@dynastyfireplace.com

For full detailed instructions and step-by-step guides on how to repair and service the fireplace, including repair and replacement of internal parts such as LED lights, motor, heater, etc, please visit our support website at:

support.dynastyfireplace.com

OPERATION

This product is inspected, tested and carefully packaged to minimize the chance of damage during shipment. If a part within two years, or 24 months from the date of purchase proves to be defective in material or fabrication under normal use, the part will be repaired or replaced. Dynasty Fireplaces' obligation under the warranty is to replace or repair defective parts at our discretion. Any expenses or damage resulting from the installation, removal, or transportation of the product will be the responsibility of the owner and are not covered by this warranty. The owner assumes all other risks arising from the use or misuse of the product. The warranty will be void if the product damage or failure is deemed by Dynasty to be caused by accident, alteration, misuse, abuse, incorrect installation or removal, or connection to an incorrect power source by the owner. Dynasty Fireplaces neither assumes, nor authorizes and person or entity to assume for it any obligation or liability associated with its products.



CALIFORNIA PROPOSITION 65 WARNING

**WARNING: This product can expose you to chemicals including Carbon Black, which is known to the State of California to cause cancer, and Bisphenol A (BPA), which is known to the State of California to cause birth defects or other reproductive harm. For more information go to:
www.P65Warnings.ca.gov**

Dynasty Fireplaces



10-3071 No. 5 Road
Richmond, BC Canada
V6X 2T4

Telephone: (604) 821-1009

Toll free: 1-877-521-1009

Website: dynastyfireplaces.com

Support: support@dynastyfireplaces.com

Support Site: support.dynastyfireplaces.com