



INDOOR COOKING

Dual-Fuel Range

KRD

Dual-Fuel Smart Range

KRDS

Installation Manual

 HESTAN

HESTAN CUE™



⚠️ WARNING

IF THE INFORMATION IN THIS MANUAL IS NOT FOLLOWED EXACTLY, A FIRE OR EXPLOSION MAY RESULT CAUSING PROPERTY DAMAGE, PERSONAL INJURY, OR DEATH.

Do not store or use gasoline or other flammable vapors and liquids in the vicinity of this or any other appliance.

WHAT TO DO IF YOU SMELL GAS:

1. Do not try and light any appliance.
2. Do not touch any electrical switch.
3. Do not use any phone in your building.
4. Immediately call your gas supplier from a neighbor's phone. Follow the gas supplier's instructions.
5. If you cannot reach your gas supplier, call the fire department.

Installation and service must be performed by a qualified installer, service agency, or the gas supplier.

READ THESE INSTRUCTIONS CAREFULLY AND COMPLETELY BEFORE INSTALLING OR USING YOUR APPLIANCE TO REDUCE THE RISK OF FIRE, BURN HAZARD, OR OTHER INJURY. KEEP THIS MANUAL FOR FUTURE REFERENCE.

SAFETY DEFINITIONS

⚠️ WARNING

THIS INDICATES THAT DEATH OR SERIOUS INJURY MAY OCCUR AS A RESULT OF NOT OBSERVING THIS WARNING.

⚠️ CAUTION

THIS INDICATES THAT MINOR OR MODERATE INJURY MAY OCCUR AS A RESULT OF NOT OBSERVING THIS WARNING.

NOTICE

THIS INDICATES THAT DAMAGE TO THE APPLIANCE OR PROPERTY MAY OCCUR AS A RESULT OF NOT OBSERVING THIS WARNING.

INSTALLER: LEAVE THIS MANUAL WITH THE OWNER OF THE APPLIANCE.
HOMEOWNER: RETAIN THIS MANUAL FOR FUTURE REFERENCE.

⚠️ WARNING

TIP OVER HAZARD

A child or adult can tip over a range and be killed.

Check installation of the anti-tip device per the Installation Manual.
Do not operate the range without this device in place.

Check engagement of anti-tip device if range is moved, such as when cleaning behind the unit.

To check engagement, carefully tip the range forward while pulling from the rear of the unit. The range should not move more than 1 inch [2.5cm].

Failure to follow these instructions can result in death or serious burns to children and adults.

To reduce the risk of burns, do not move this appliance while hot.



TABLE OF CONTENTS

| | |
|----|---|
| 1 | SAFETY PRECAUTIONS - BEFORE YOU BEGIN |
| 2 | MODEL NUMBERS |
| 3 | RATING LABEL |
| 3 | REGULATORY / CODE REQUIREMENTS |
| 3 | LOCATION AND INSTALLATION / VENTILATION |
| 14 | BACKGUARD AND ACCESSORIES |
| 15 | INSTALLATION OF ANTI-TIP DEVICE |
| 16 | ELECTRICAL CONNECTIONS |
| 18 | GAS CONNECTION |
| 20 | FINAL SETUP |
| 21 | SERVICE |
| 22 | APPENDIX |

SAFETY PRECAUTIONS - BEFORE YOU BEGIN

When properly cared for, your Hestan appliance will provide safe, reliable service for many years. When using this appliance, basic safety practices must be followed as outlined below.

IMPORTANT: Save these instructions for the local Gas or Utility Inspector's use.

INSTALLER: Please leave these Installation Instructions with the owner.

OWNER: Please retain these Installation Instructions for future reference.

This range is **NOT** designed for installation in manufactured (mobile) homes or recreational park trailers. Do **NOT** install this range outdoors.

⚠️ WARNING

ELECTRICAL SHOCK HAZARD

Disconnect power before installing or servicing appliance. Before turning power ON, be sure all controls are in the OFF position. Failure to do so can result in electrical shock or death.

ELECTRICAL GROUNDING

This appliance must be grounded. Grounding reduces the risk of electric shock in the event of a short circuit. Read the ELECTRICAL CONNECTIONS section of this manual for complete instructions.

This appliance is equipped with a 4-prong grounding plug for your protection against shock hazard and should be directly plugged into a properly grounded receptacle. Do not cut or remove the grounding prong from this plug.

ELECTRICAL SUPPLY

The appliance must be on its own dedicated circuit - 240 VAC, Single Phase, 60 Hz, with a current rating as shown in the model number listing on pg. 2. Have the installer show you where the electric circuit breaker is located so you know how to shut off the power to this appliance. It is the responsibility of the user to have the appliance connected by a licensed electrician in accordance with all local codes, or in the absence of local codes, in accordance with the National Electrical Code. Read the ELECTRICAL CONNECTIONS section of this manual for complete details.

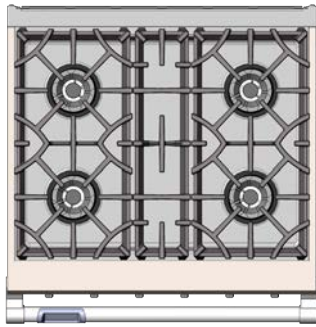


MODEL NUMBERS

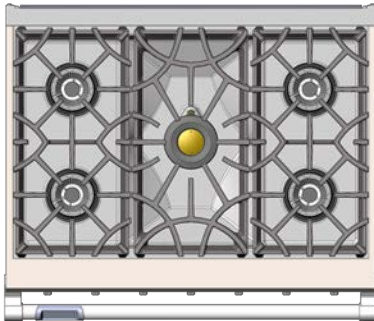
RANGE MODELS

EN

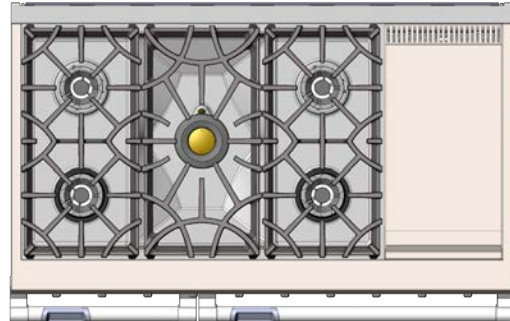
| MODEL NO. | DESCRIPTION | CIRCUIT BREAKER REQUIRED |
|-------------------|--|--------------------------|
| KRD304-NG / -LP | 30" DUAL-FUEL RANGE WITH 4 BURNERS | 40 Amp |
| KRD365-NG / -LP | 36" DUAL-FUEL RANGE WITH 5 BURNERS | 40 Amp |
| KRDS365-NG / -LP | 36" DUAL-FUEL RANGE WITH 4 BURNERS + 1 SMART BURNER™ | 40 Amp |
| KRD364GD-NG / -LP | 36" DUAL-FUEL RANGE WITH 4 BURNERS & 12" GRIDDLE | 40 Amp |
| KRD485GD-NG / -LP | 48" DUAL-FUEL RANGE WITH 5 BURNERS, 2 OVENS, & 12" GRIDDLE | 50 Amp |
| KRD484GD-NG / -LP | 48" DUAL-FUEL RANGE WITH 4 BURNERS, 2 OVENS, & 24" GRIDDLE | 50 Amp |



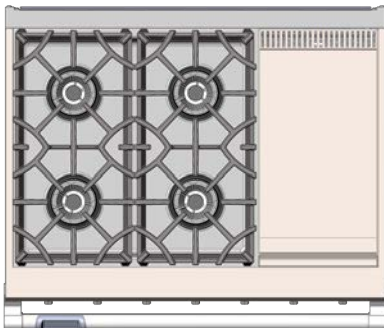
KRD304



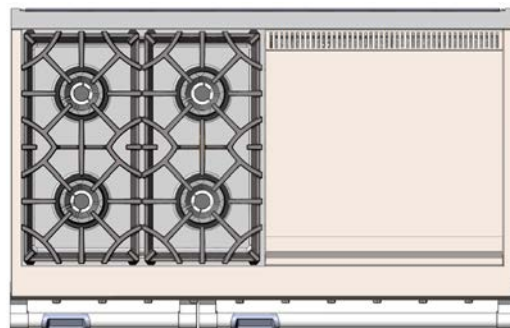
KRD365/KRDS365



KRD485GD



KRD364GD



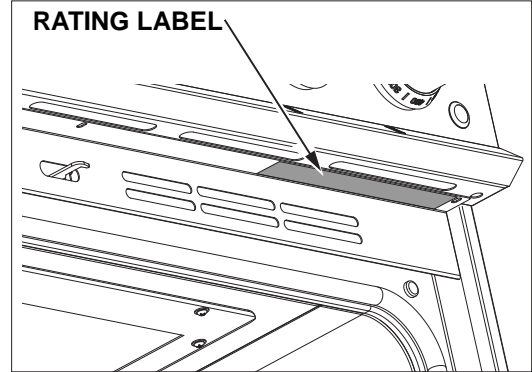
KRD484GD

RATING LABEL

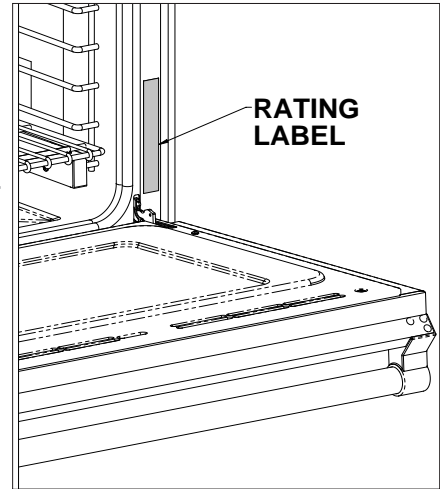
The rating label contains important information about your Hestan appliance such as the model and serial number, gas type and manifold pressure, electrical rating, the BTU rating for each burner type, and the minimum installation clearances.

The rating label is located in one of two places, as shown in the figures on this page.

If service is necessary, contact Hestan Customer Care with the model and serial number information shown on the label.



| | | | | | | | |
|---|----|---------------------------|-----------------|---|-------------------------------|---|-----------------|
| HESTAN COMMERCIAL CORP ANAHEIM, CA - USA | | MODEL / MODELE | SER NO / NO SER | CONFORMS TO: LISTED TO: ILL. 108.0214 EA 10-01, 30AUG2017 - CSA22 2 No. 01-16 ANSI Z223.1 2015 - CSA 1.9 2015 HOUSEHOLD COOKING GAS APPLIANCE | | COMPTONNE IL LA NORME LL 108.0214 EA 10-01, 30AUG2017 - CSA22 2 No. 01-16 ANSI Z223.1 2015 - CSA 1.9 2015 APPAREIL ELECTROMENAGER DE CUISON AU GAZ UNITE VENTILEE - SEE INSTALLATION MANUAL UNITE VENTILEE - VOIR LE MANUEL D'INSTALLATION | |
| VOLTS | 60 | BURNER RATINGS (BTU/HOUR) | | | MIN. CLEARANCES / DEGAJEMENTS | | |
| Hz | 60 | FRONT BURNER | CENTER BURNER | REAR BURNER | GRID/GRILL | COMBUSTIBLE | NON-COMBUSTIBLE |
| PHASE | 1 | SPILLER/PAINT | SPILLER/CENTRE | SPILLER/ARRIERE | PLAQUE (CHAUFFANT) | 6" | 0" |
| AMPS | | | | | | 12" | 0" |



REGULATORY / CODE REQUIREMENTS

Installation of this cooking appliance must be made in accordance with local codes. In the absence of local codes, this unit should be installed in accordance with the National Fuel Gas Code *ANSI Z223.1/NFPA 54*, Natural Gas and Propane Installation code *CSA B149.1*, or Propane Storage and Handling Code *B149.2*.

All Electrical Components must be electrically grounded in accordance with local codes or in the absence of local codes with the National Electrical Code *ANSI/NFPA 70*, or Canadian Electrical code *CSA C22.1*.

STATE OF MASSACHUSETTS

Massachusetts requires all gas be installed using a plumber or gas fitter carrying the appropriate Massachusetts license. All permanently installed natural gas or propane installations require a T handle type manual gas valve be installed in the gas supply line to this appliance. Flexible gas connector must not be longer than 48" [1.2 m].

CALIFORNIA PROPOSITION 65 - WARNING



WARNING This product can expose you to chemicals including carbon monoxide, which is known to the State of California to cause birth defects or other reproductive harm. For more information, go to www.P65Warnings.ca.gov.

LOCATION AND INSTALLATION / VENTILATION

UNPACKING AND PLACEMENT

Remove the outer carton and packing materials from the shipping pallet. Do not remove the plastic film covering the stainless-steel surfaces. This film protects the finish from scratches until the appliance is installed in its final position.

The unit is very heavy and should be handled with care. Use proper safety equipment, such as gloves, and at least 2 persons to move the appliance into position to avoid injury and to avoid damage to the floor or the appliance itself.

NOTICE DO NOT USE A HAND TRUCK OR DOLLY ON THE FRONT OR REAR OF THE RANGE. HANDLE AND MOVE FROM THE SIDES ONLY.

Do not lift or carry the appliance by the oven door or handle. This could damage the door hinges.

LOCATION AND INSTALLATION / VENTILATION (CONTINUED)

The range is held onto the pallet with 4 large shipping bolts on both sides. Remove these bolts and then move the range to the floor with the help of 2 persons.

PREPARATION

Before moving the range, protect any finished flooring and secure the oven door(s) closed to prevent damage.

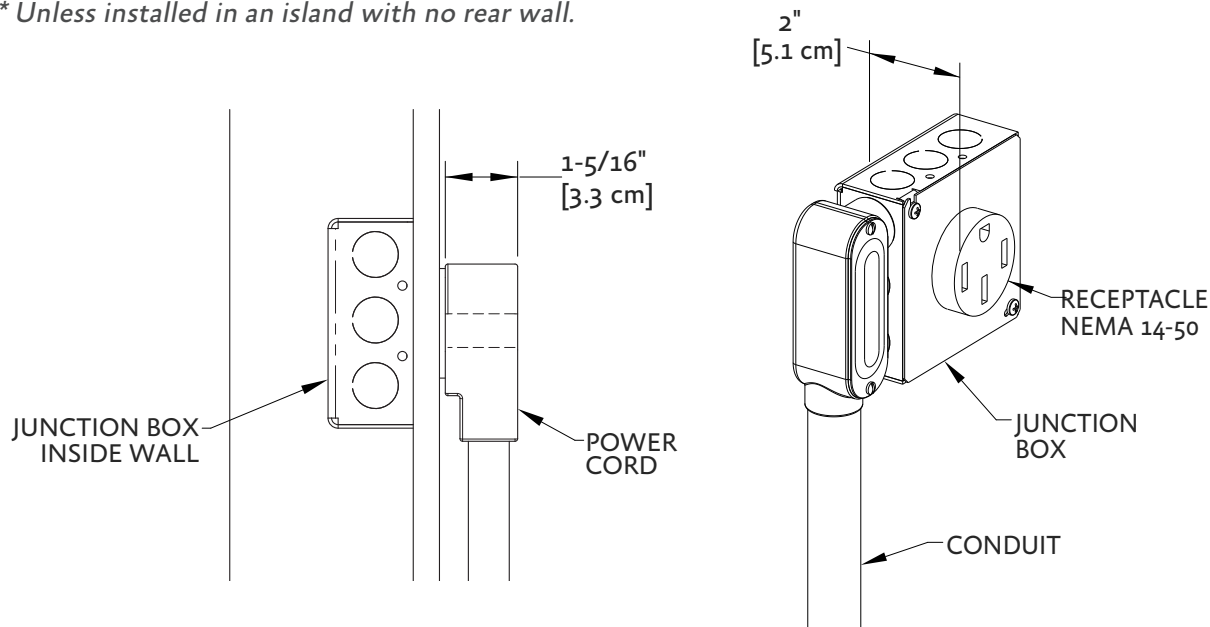
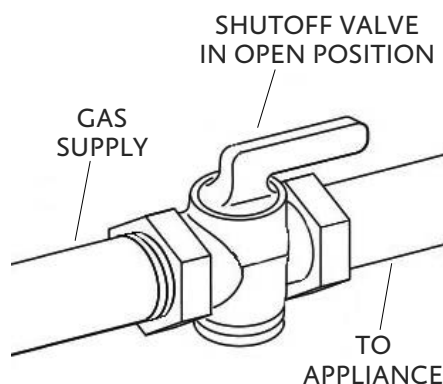
GAS AND ELECTRICAL SUPPLY CLEARANCES

If not already in place, install a gas shut-off valve in an easily accessible location for servicing of the range. Make sure all users of the range know where this shut-off is located, and how to shut off the gas. Any openings in the wall or floor behind the appliance must be sealed. The Installation Clearances on the following pages show where the "G" and "E" zones should be located.

The range is designed to be installed nearly flush to the rear wall*. It may be necessary to reposition the gas supply and power receptacle / junction box in order to accommodate the range when pushed back against the wall.

Wall-mounted junction box may protrude no more than 2-3/8" [6.1 cm] from wall and still allow the back of the range to be nearly flush to rear wall.

* Unless installed in an island with no rear wall.



CABINETS

To eliminate the risk of burns or fire by reaching over heated surface units, cabinet storage space located above the surface units should be avoided. If cabinet storage is to be provided, the risk can be reduced by installing the required vent hood that projects horizontally a minimum of 5" [12.7 cm] beyond the bottom of the cabinets.

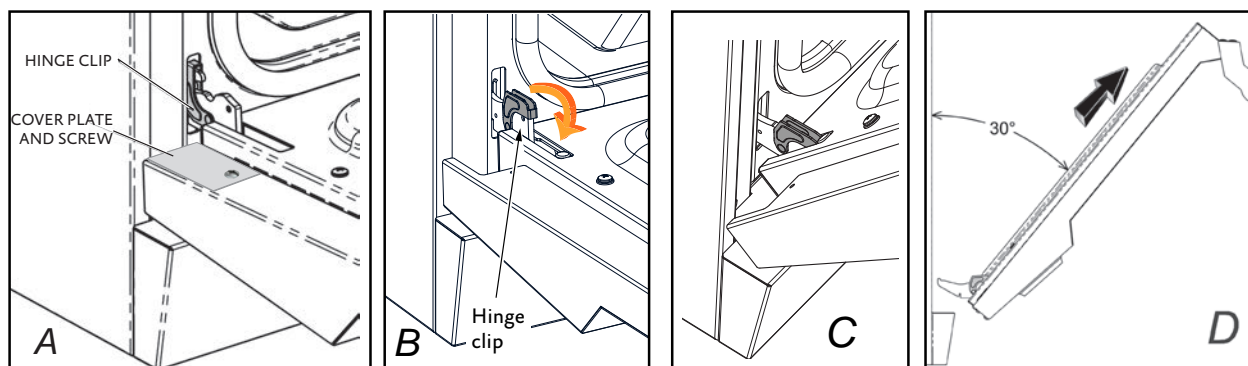
LOCATION AND INSTALLATION/VENTILATION (CONTINUED)

EN

OVEN DOOR REMOVAL

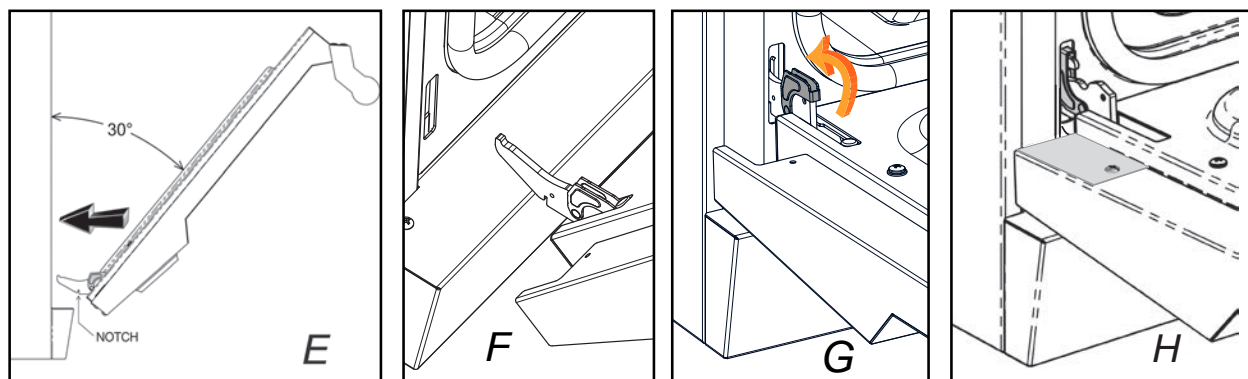
If you have a very narrow door opening to your kitchen, the oven door(s) can be removed. REMOVE ONLY IF ABSOLUTELY NECESSARY. Door removal should only be done by a certified installer or service technician. Be sure the oven has completely cooled and the electrical power is off. Failure to do so may result in electric shock or burn injury. Use caution when removing the door, it is very heavy. Be careful to disconnect the wire inside the door.

1. Open oven door completely.
2. Locate cover near hinge to access wire connector inside. Using small needle-nose pliers and a small flat-blade screwdriver, disconnect the wires inside the door. [A]
3. At each hinge location, swing the hinge clip forward until it stops. A screwdriver may be needed to do this. [B]
4. Gently close the oven door until it stops against the hinge clips, or approximately 30° from the closed position. Hold on firmly to both sides of the door (not the handle) and pull the door straight up off the hinges. Ask an assistant to help direct the wires out of the bottom of the door so it does not hang up on anything. Place the oven door in a safe location until needed. NEVER release the hinge clips and try to close the hinges. Doing so will snap the hinges closed with great force which could cause injury. [C & D]



RE-INSTALL OVEN DOOR

1. Hold the door firmly on both sides (NOT FROM THE HANDLE) at approximately 30° from the closed position and insert the hinges into the slots in the oven. The bottom edge of each hinge has a notch which must seat inside the slot opening. DO NOT FORCE OR BEND OR TWIST THE DOOR! [E & F]
2. Slowly open the door all the way. Swing the hinge clips away from you until completely inside the slot opening and fully seated. A screwdriver may help you do this. [G]
3. Re-attach the wire connector and assure it is securely inside the door. Re-install the cover. [H]
4. Gently close the oven door to check for smooth operation.



LOCATION AND INSTALLATION/VENTILATION (CONTINUED)

LEVELING

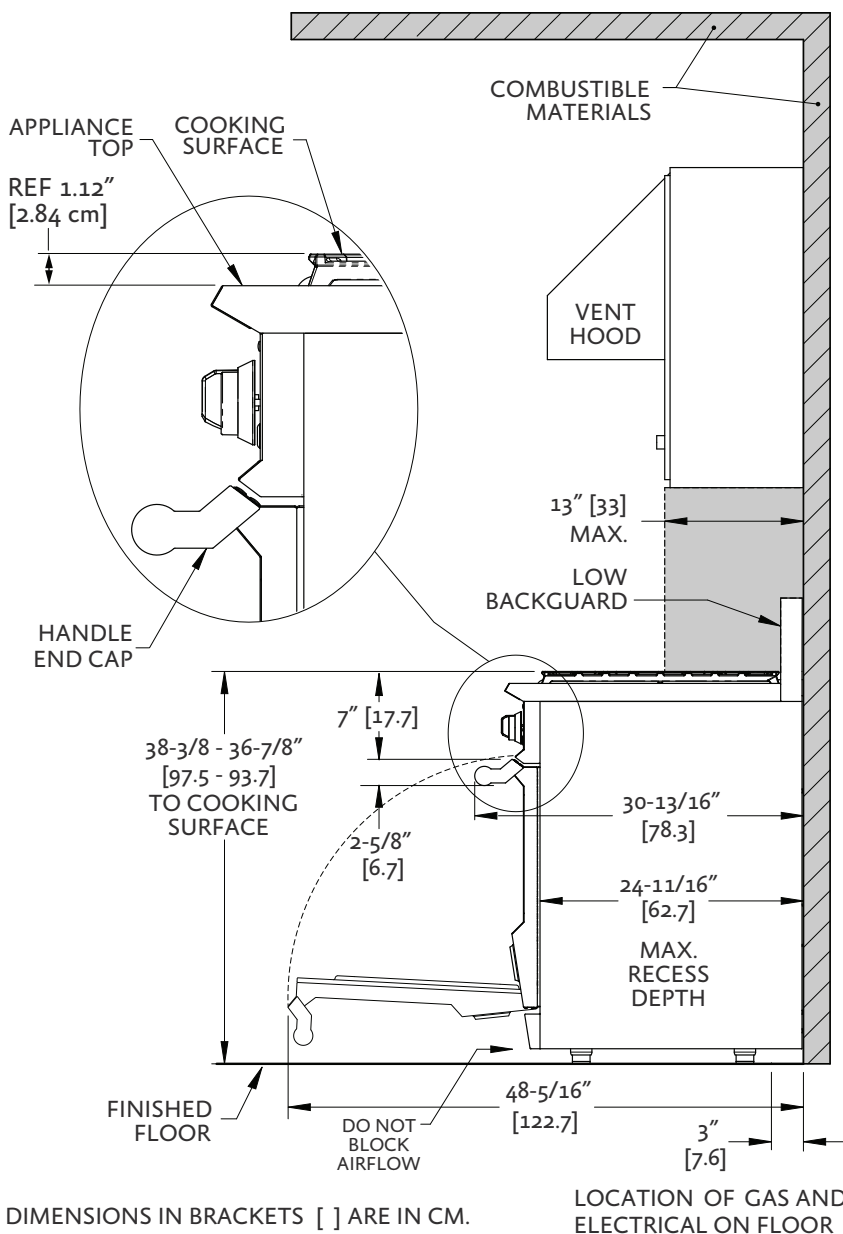
The range must be level, especially those models featuring a griddle. Raise or lower the range to the desired height by adjusting the leveling legs under the range. The legs can be turned by hand. It may be necessary to use a lever or other lifting device to assist in temporarily raising the unit to turn the legs. Do not lift or lever from the front or back, only from the sides.

Leveling 48" models: The 48" ranges have 6 legs. They should be adjusted so that all six share the weight of the range.

CAUTION

The appliance top must be level with or higher than the adjacent countertop surfaces. Failure to adjust the height may expose the adjacent cabinets to excessive heat which may damage the cabinets or countertop.

INSTALLATION CLEARANCES WITH LOW BACKGUARD

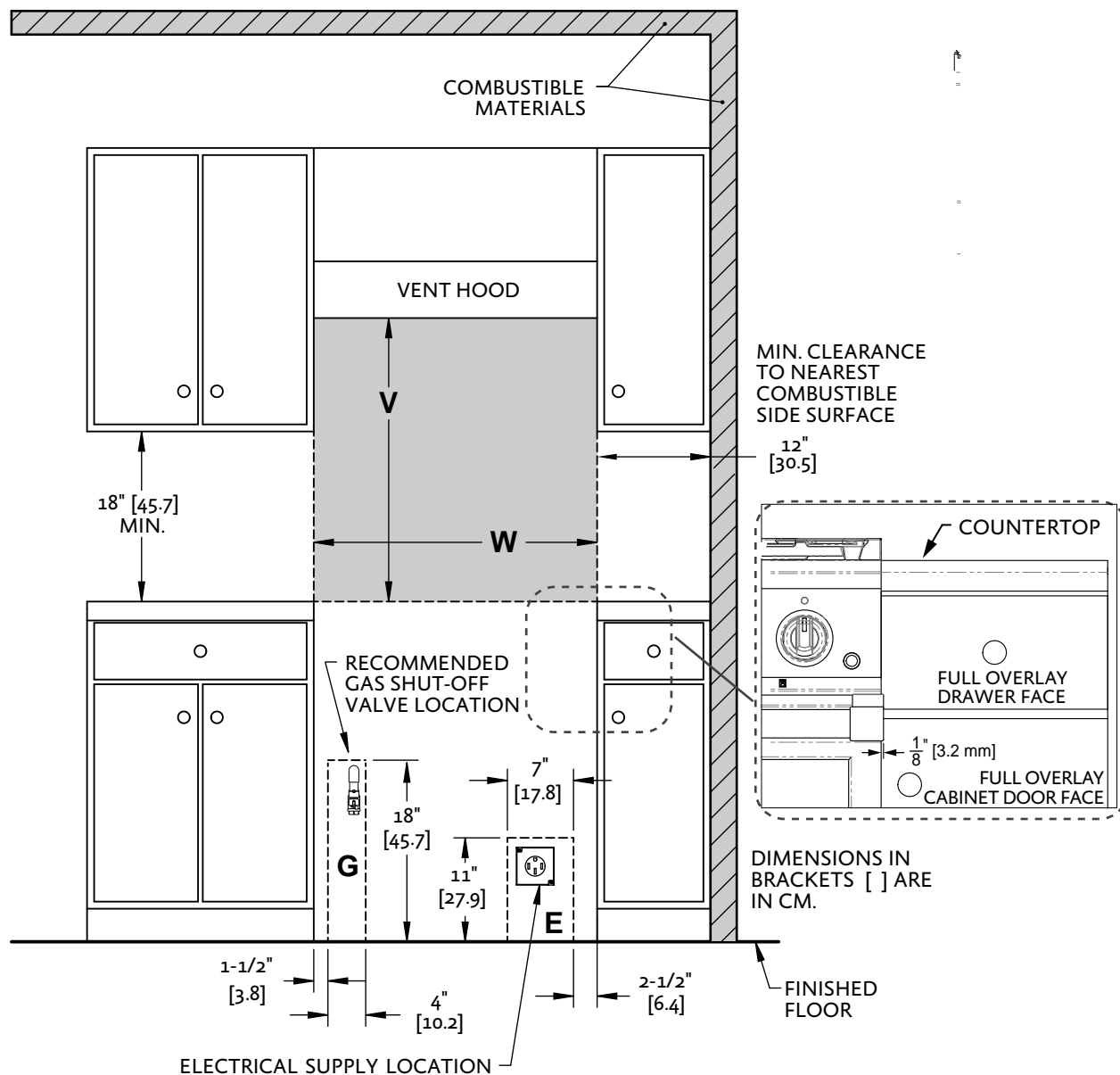


SIDE VIEW

LOCATION AND INSTALLATION/VENTILATION (CONTINUED)

INSTALLATION CLEARANCES 30" WITH LOW BACKGUARD

EN



FRONT VIEW

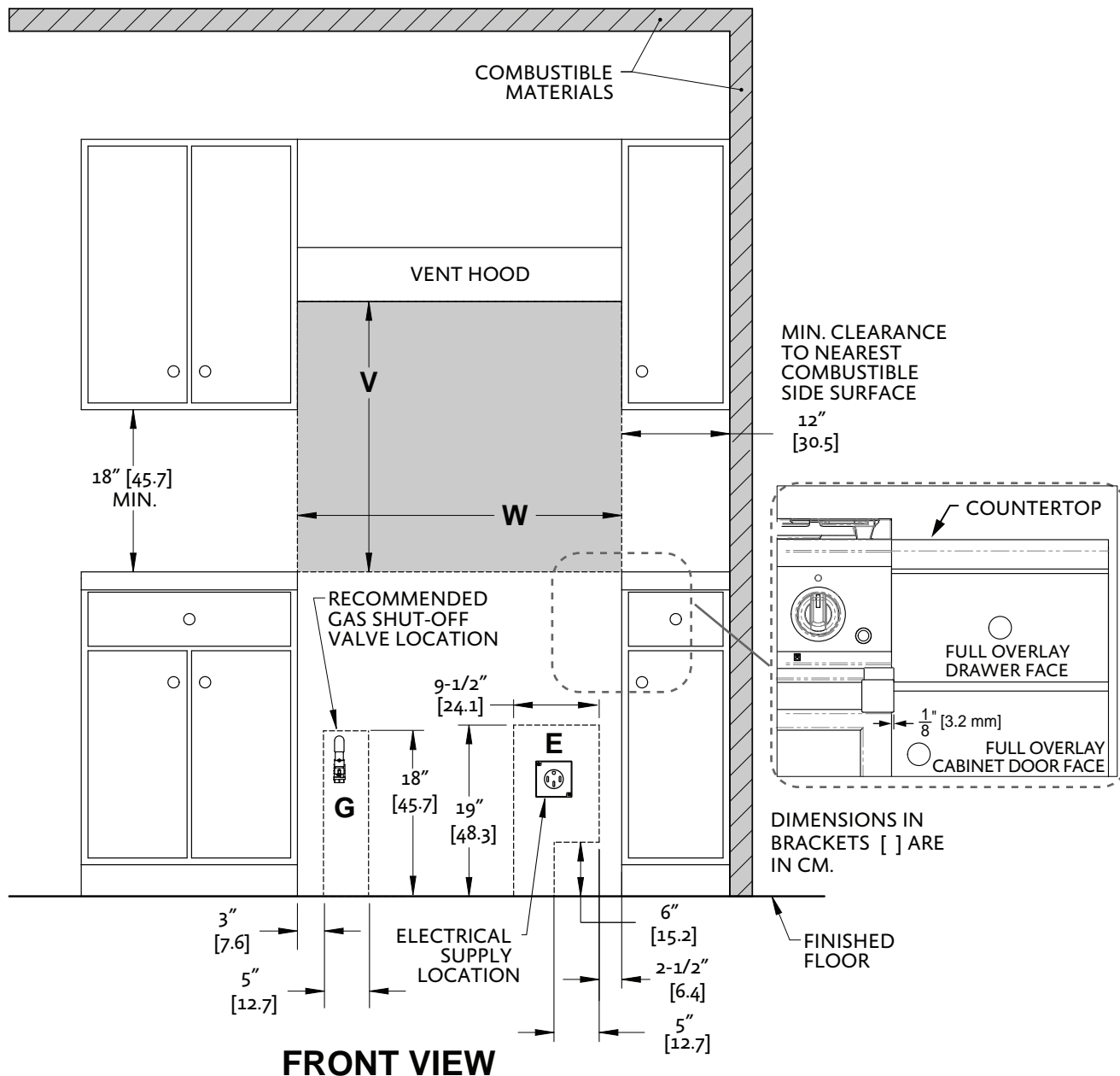
| RANGE MODEL | W | V (MIN) |
|-------------|------------|------------|
| KRD304 | 30" [76.2] | 30" [76.2] |

NOTES:

- SHADED AREAS INDICATE WHERE COMBUSTIBLE MATERIALS ARE NOT ALLOWED.
- APPLIANCE TOP MUST BE LEVEL OR HIGHER THAN THE ADJACENT COUNTERTOP SURFACES.
- "G" IS GAS CONNECTION ZONE ON REAR WALL. MOUNT SHUT-OFF VALVE AS HIGH AS POSSIBLE IN THIS ZONE FOR EASY ACCESS WHEN RANGE IS INSTALLED.
- "E" IS ELECTRICAL SUPPLY ZONE.
- "W" IS APPLIANCE OPENING.
NOTE: HANDLE END CAPS PROTRUDE 1/8" BEYOND EACH SIDE OF THE RANGE. ALLOWANCE MAY BE NEEDED FOR ADJACENT DRAWERS OR CABINETRY.
- "V" IS MIN. CLEARANCE TO REQUIRED VENTILATION HOOD.

LOCATION AND INSTALLATION/VENTILATION (CONTINUED)

INSTALLATION CLEARANCES 36" WITH LOW BACKGUARD



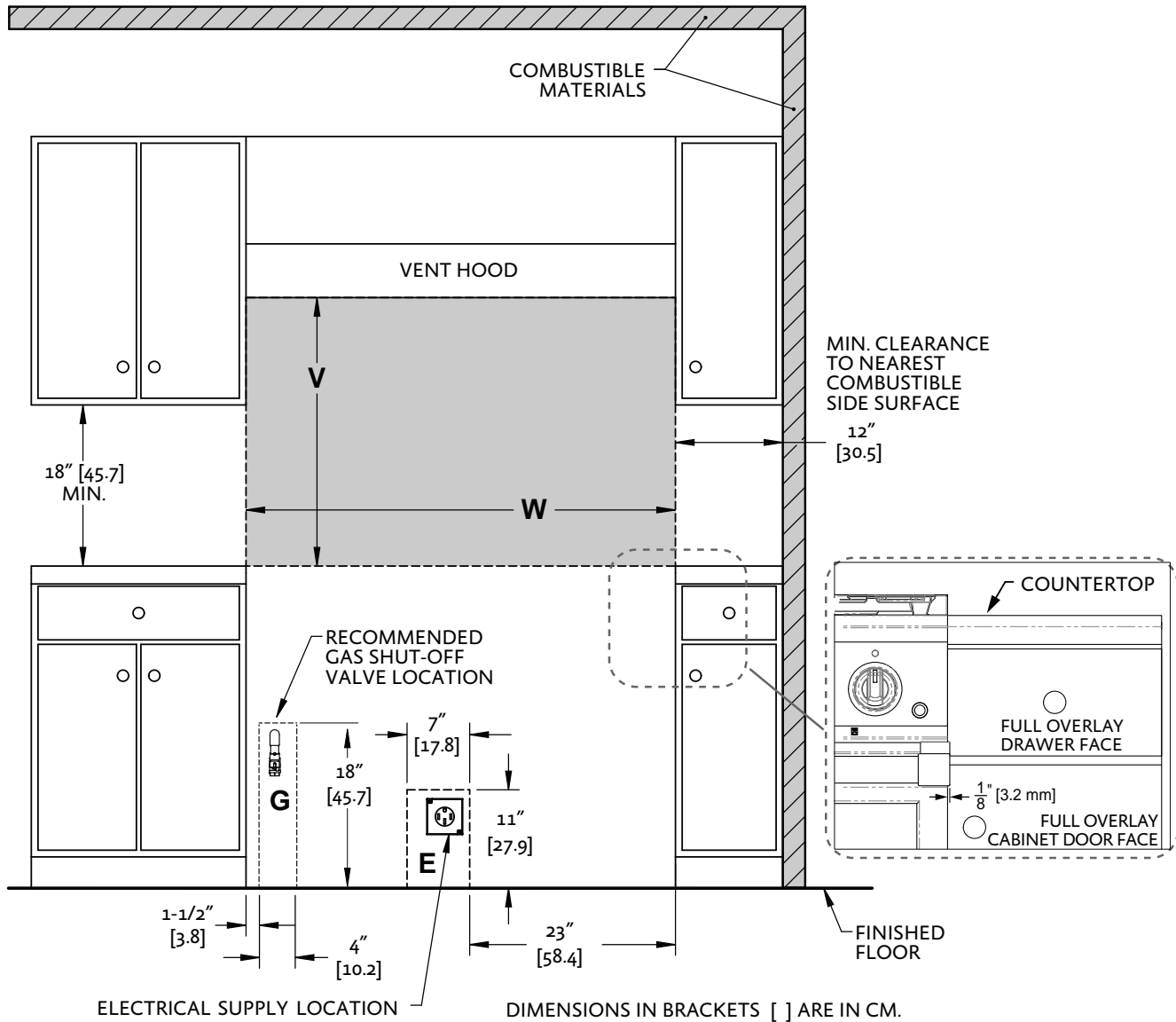
NOTES:

- SHADED AREAS INDICATE WHERE COMBUSTIBLE MATERIALS ARE NOT ALLOWED.
- APPLIANCE TOP MUST BE LEVEL OR HIGHER THAN THE ADJACENT COUNTERTOP SURFACES.
- "G" IS GAS CONNECTION ZONE ON REAR WALL. MOUNT SHUT-OFF VALVE AS HIGH AS POSSIBLE IN THIS ZONE FOR EASY ACCESS WHEN RANGE IS INSTALLED.
- "E" IS ELECTRICAL SUPPLY ZONE.
- "W" IS APPLIANCE OPENING.
NOTE: HANDLE END CAPS PROTRUDE 1/8" BEYOND EACH SIDE OF THE RANGE. ALLOWANCE MAY BE NEEDED FOR ADJACENT DRAWERS OR CABINETRY.
- "V" IS MIN. CLEARANCE TO REQUIRED VENTILATION HOOD.

| RANGE MODEL | W | V (MIN) |
|----------------|------------|------------|
| KRD365/KRDS365 | 36" [91.4] | 30" [76.2] |
| KRD364GD | 36" [91.4] | 30" [76.2] |

LOCATION AND INSTALLATION/VENTILATION (CONTINUED)

INSTALLATION CLEARANCES 48" WITH LOW BACKGUARD



FRONT VIEW

NOTES:

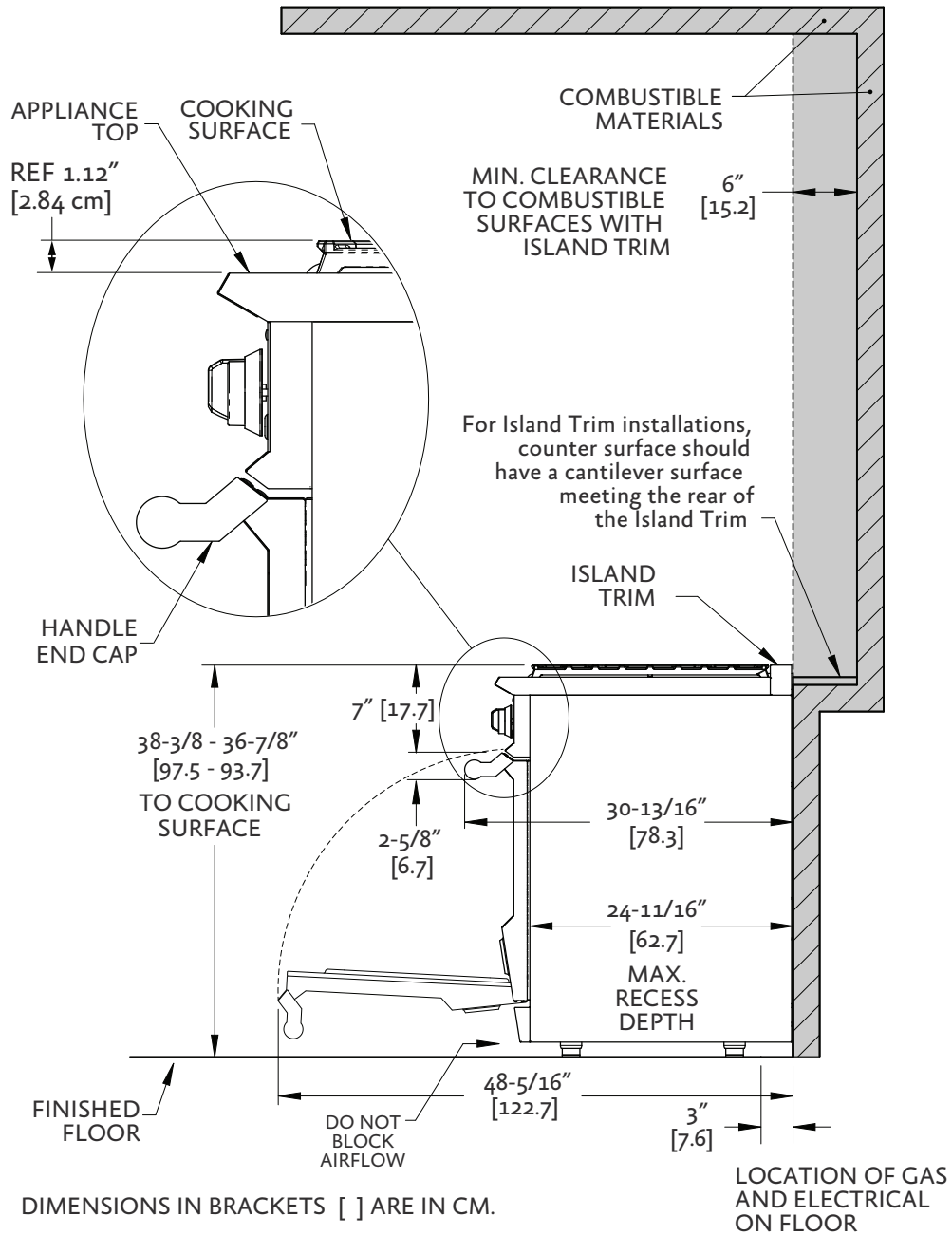
- SHADED AREAS INDICATE WHERE COMBUSTIBLE MATERIALS ARE NOT ALLOWED.
- APPLIANCE TOP MUST BE LEVEL OR HIGHER THAN THE ADJACENT COUNTERTOP SURFACES.
- "G" IS GAS CONNECTION ZONE ON REAR WALL. MOUNT SHUT-OFF VALVE AS HIGH AS POSSIBLE IN THIS ZONE FOR EASY ACCESS WHEN RANGE IS INSTALLED.
- "E" IS ELECTRICAL SUPPLY ZONE.
- "W" IS APPLIANCE OPENING.
- NOTE: HANDLE END CAPS PROTRUDE 1/8" BEYOND EACH SIDE OF THE RANGE. ALLOWANCE MAY BE NEEDED FOR ADJACENT DRAWERS OR CABINETRY.
- "V" IS MIN. CLEARANCE TO REQUIRED VENTILATION HOOD.

| RANGE MODEL | W | V (MIN) |
|-------------|-------------|------------|
| KRD485GD | 48" [121.9] | 30" [76.2] |
| KRD484GD | 48" [121.9] | 30" [76.2] |

LOCATION AND INSTALLATION/VENTILATION (CONTINUED)

EN

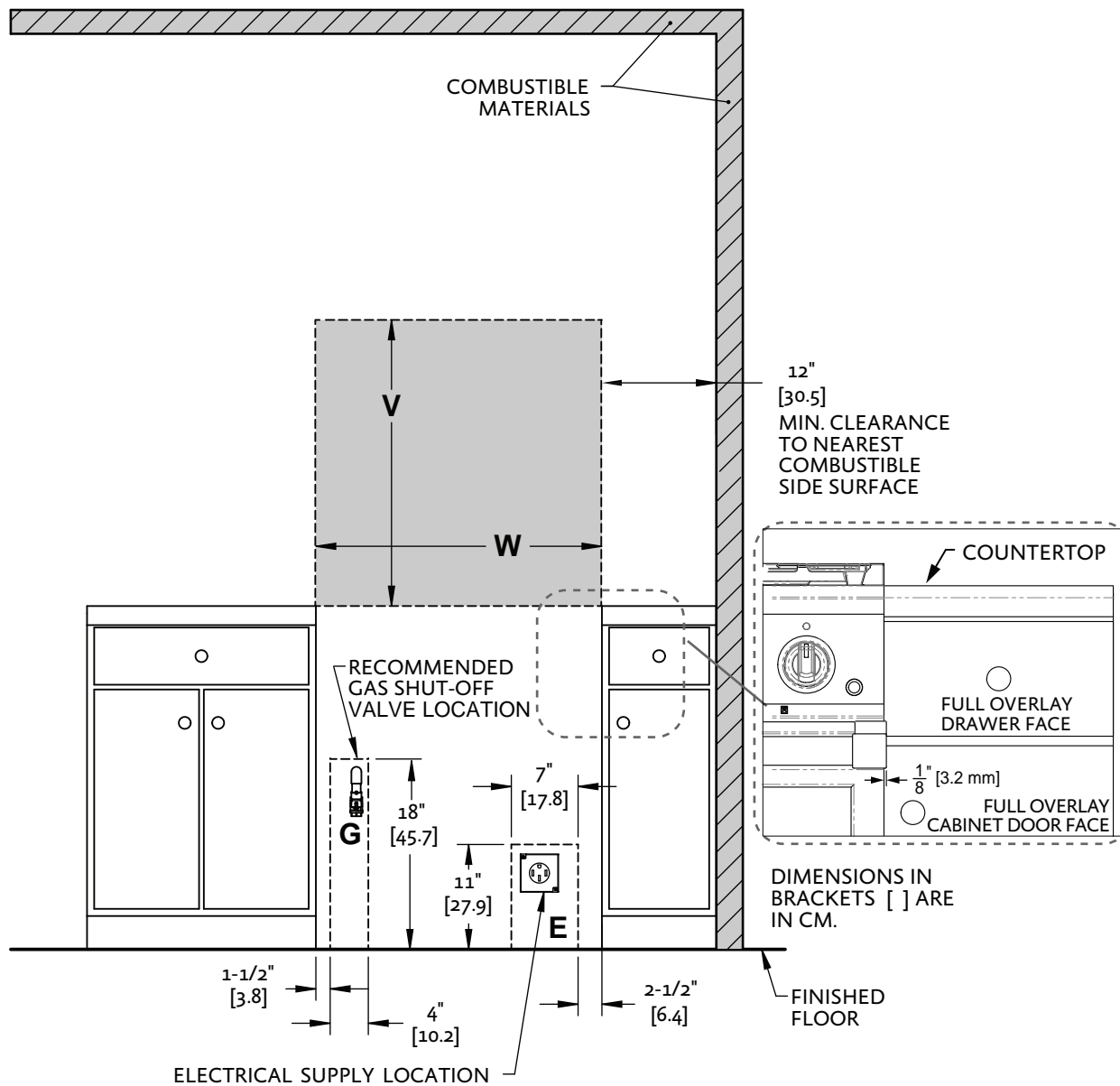
INSTALLATION CLEARANCES WITH ISLAND TRIM



SIDE VIEW

LOCATION AND INSTALLATION/VENTILATION (CONTINUED)

INSTALLATION CLEARANCES 30" WITH ISLAND TRIM



FRONT VIEW

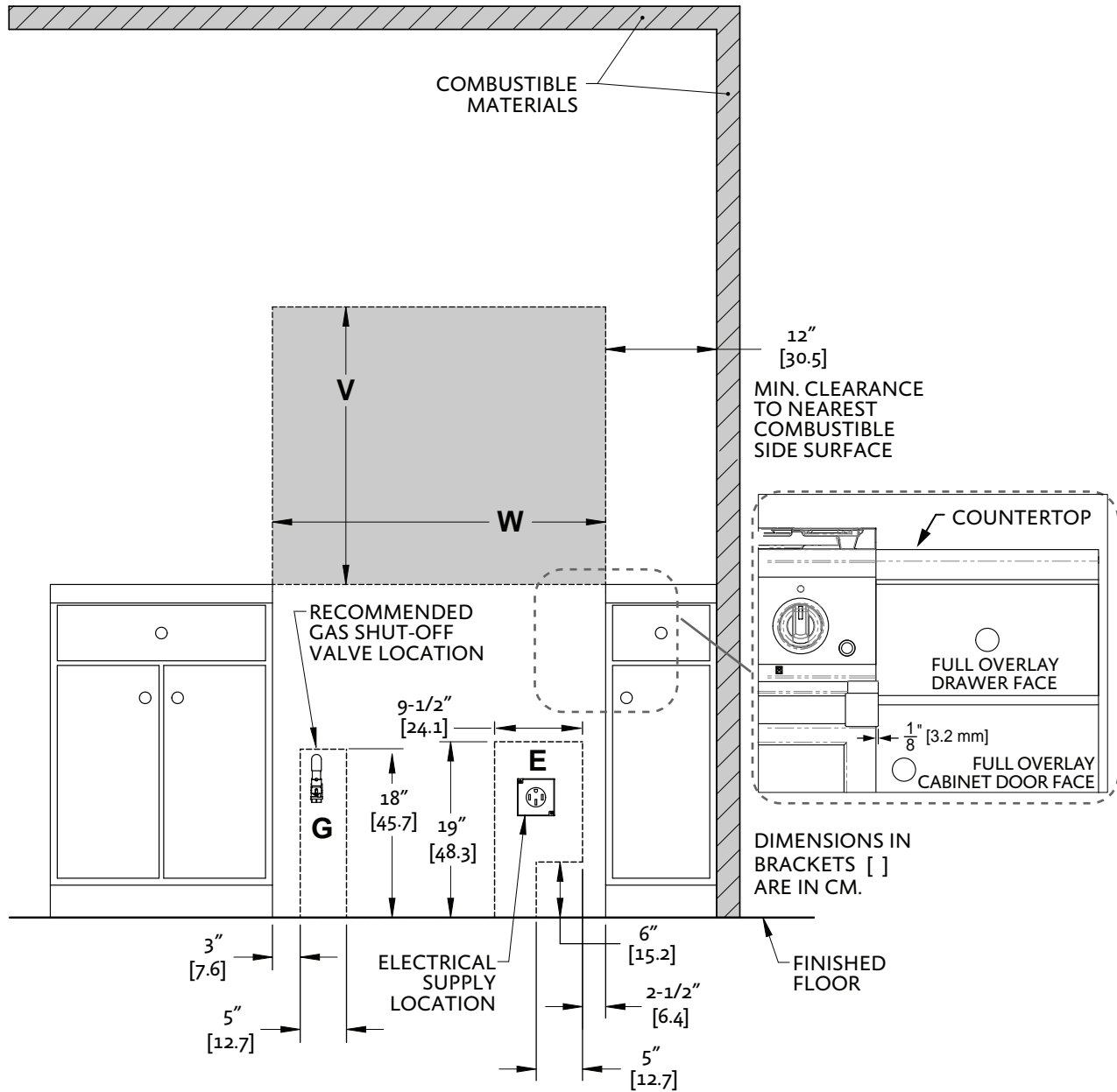
| RANGE MODEL | W | V (MIN) |
|-------------|------------|------------|
| KRD304 | 30" [76.2] | 30" [76.2] |

NOTES:

- SHADED AREAS INDICATE WHERE COMBUSTIBLE MATERIALS ARE NOT ALLOWED.
- APPLIANCE TOP MUST BE LEVEL OR HIGHER THAN THE ADJACENT COUNTERTOP SURFACES.
- "G" IS GAS CONNECTION ZONE ON REAR WALL. MOUNT SHUT-OFF VALVE AS HIGH AS POSSIBLE IN THIS ZONE FOR EASY ACCESS WHEN RANGE IS INSTALLED.
- "E" IS ELECTRICAL SUPPLY ZONE.
- "W" IS APPLIANCE OPENING.
NOTE: HANDLE END CAPS PROTRUDE 1/8" BEYOND EACH SIDE OF THE RANGE. ALLOWANCE MAY BE NEEDED FOR ADJACENT DRAWERS OR CABINETRY.
- "V" IS MIN. CLEARANCE TO REQUIRED VENTILATION HOOD.

LOCATION AND INSTALLATION/VENTILATION (CONTINUED)

INSTALLATION CLEARANCES 36" WITH ISLAND TRIM



FRONT VIEW

| RANGE MODEL | W | V (MIN) |
|----------------|------------|------------|
| KRD365/KRDS365 | 36" [91.4] | 30" [76.2] |
| KRD364GD | 36" [91.4] | 30" [76.2] |

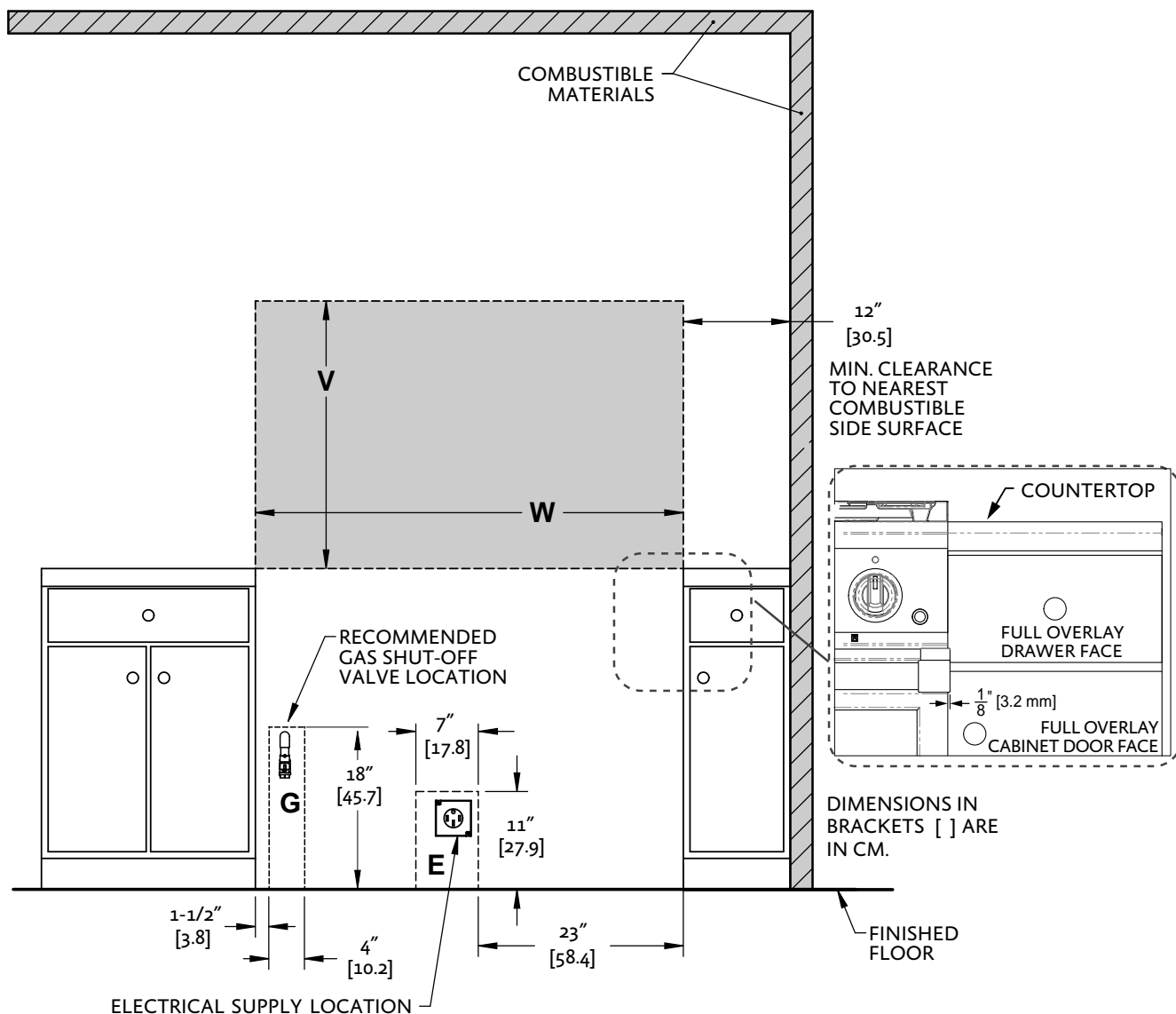
NOTES:

- SHADED AREAS INDICATE WHERE COMBUSTIBLE MATERIALS ARE NOT ALLOWED.
- APPLIANCE TOP MUST BE LEVEL OR HIGHER THAN THE ADJACENT COUNTERTOP SURFACES.
- "G" IS GAS CONNECTION ZONE ON REAR WALL. MOUNT SHUT-OFF VALVE AS HIGH AS POSSIBLE IN THIS ZONE FOR EASY ACCESS WHEN RANGE IS INSTALLED.
- "E" IS ELECTRICAL SUPPLY ZONE.
- "W" IS APPLIANCE OPENING.
NOTE: HANDLE END CAPS PROTRUDE 1/8" BEYOND EACH SIDE OF THE RANGE. ALLOWANCE MAY BE NEEDED FOR ADJACENT DRAWERS OR CABINETY.
- "V" IS MIN. CLEARANCE TO REQUIRED VENTILATION HOOD.

LOCATION AND INSTALLATION/VENTILATION (CONTINUED)

INSTALLATION CLEARANCES 48" WITH ISLAND TRIM

EN



FRONT VIEW

| RANGE MODEL | W | V (MIN) |
|-------------|-------------|------------|
| KRD485GD | 48" [121.9] | 30" [76.2] |
| KRD484GD | 48" [121.9] | 30" [76.2] |

NOTES:

- SHADED AREAS INDICATE WHERE COMBUSTIBLE MATERIALS ARE NOT ALLOWED.
- APPLIANCE TOP MUST BE LEVEL OR HIGHER THAN THE ADJACENT COUNTERTOP SURFACES.
- "G" IS GAS CONNECTION ZONE ON REAR WALL. MOUNT SHUT-OFF VALVE AS HIGH AS POSSIBLE IN THIS ZONE FOR EASY ACCESS WHEN RANGE IS INSTALLED.
- "E" IS ELECTRICAL SUPPLY ZONE.
- "W" IS APPLIANCE OPENING.
NOTE: HANDLE END CAPS PROTRUDE 1/8" BEYOND EACH SIDE OF THE RANGE. ALLOWANCE MAY BE NEEDED FOR ADJACENT DRAWERS OR CABINETY.
- "V" IS MIN. CLEARANCE TO REQUIRED VENTILATION HOOD.

LOCATION AND INSTALLATION/VENTILATION *(CONTINUED)*

VENTILATION REQUIREMENTS

A vent hood is **REQUIRED** above this appliance. It is strongly recommended that this appliance be installed with a Hestan vent hood. Due to the high heat output of this range, it is very important that the hood and ductwork installation meets local building codes and is installed by a qualified technician.

Do not use a down-draft style ventilation system.

Do not mount a microwave oven/ventilator combination above the range. These type of units do not have sufficient airflow to remove the high heat output of this range and were not tested with this type of appliance.

For non-Hestan approved vent hoods, the vent hood and/or blower unit must be rated for 1 CFM [1.7 m³/hr] for every 100 BTU [.03 kW].

- If the range has a 12" Griddle, add an additional 200 CFM [340 m³/hr] to the blower capacity.
- If the range has a 24" Griddle, add an additional 400 CFM [680 m³/hr] to the blower capacity.

For island applications, it is recommended to use a vent hood that is 6" [15.2 cm] wider than the appliance, to allow for 3" [7.6 cm] of overlap on the left and right of the appliance.

Keep duct runs as short and straight as possible. Elbows and transition fittings reduce airflow efficiency. Hestan recommends keeping the duct run under 50 ft. [15.2 m].

CONSULT WITH YOUR HESTAN DEALER ON SELECTING THE APPROPRIATE VENT HOOD FOR YOUR HESTAN APPLIANCE.

BACKGUARD AND ACCESSORIES

▲ CAUTION

Sheetmetal accessories such as the backguard, and areas at the rear of the range may have sharp edges. Wear work gloves while handling and installing these items.

BACKGUARD

Your Hestan range is supplied at the factory with an Island Trim backguard. See Table 1 in the APPENDIX section of this manual for other backguard options available from your Hestan dealer. Selection of the appropriate backguard depends on the installation location and adjacent materials, and the type of vent hood to be used. Installation instructions are included with the backguard kit. **A LOW OR TALL BACKGUARD IS REQUIRED WHEN INSTALLING THE RANGE AGAINST A COMBUSTIBLE SURFACE - THE ISLAND TRIM IS NOT SUITABLE.**

▲ CAUTION

The top of the backguard serves as an exhaust for the oven when in operation, and as an exhaust vent to remove heat from under the cooktop section of the range as well. **DO NOT BLOCK** or obstruct the top of the backguard. **DO NOT** touch the top of the backguard during appliance operation as it may get hot. Allow sufficient time to cool before touching or cleaning this area. **DO NOT** position plastic or other heat-sensitive items nearby which could melt or burn.

Griddle Vent - Units with gas griddle have a vent at the rear which must not be obstructed. Do not attempt to operate the griddle with anything covering or obstructing the griddle vent.

INSTALLATION OF ANTI-TIP DEVICE

▲WARNING THE ANTI-TIP DEVICE PROVIDED WITH THIS RANGE MUST BE INSTALLED.

PREPARATION

NOTICE POSSIBLE PROPERTY DAMAGE - Use a qualified installer or contractor to determine the proper method of attaching the anti-tip bracket to the rear wall or floor behind your range. Special drills or tools may be needed to drill holes in the wall or floor (ceramic tile, hardwood flooring, etc.).

▲WARNING ELECTRICAL SHOCK HAZARD - Use extreme caution when drilling holes into the wall or floor as there may be hidden wires. Identify the electrical circuits that could be affected by the installation of the anti-tip bracket.

Shut off the power to these circuits. Failure to follow these instructions may result in death or electrical shock.

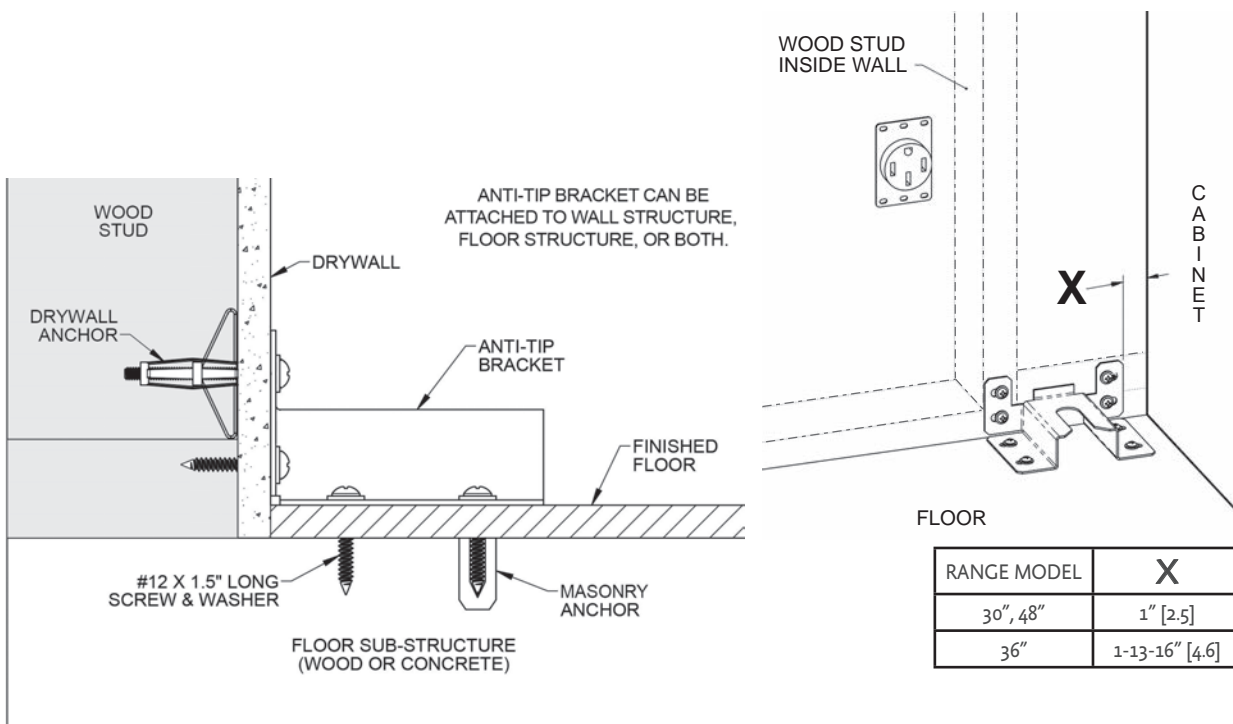
HOLE PREPARATION

The anti-tip bracket must be installed in sound materials, such as wood studs in the wall AND floor joists under the finished floor. They must be able to withstand the forces exerted on the bracket by the range should it tip-over. If wood studs or other suitable materials are not in the designated area behind the range, you must attach the bracket using appropriate drywall anchors or similar fasteners.

DRYWALL INSTALLATION: After positioning the bracket as per the diagram below, mark the holes and drill the appropriate holes as per the instructions supplied with the wall anchors. For hardboard or solid plaster walls, you may need different wall anchors, available at your local hardware store or home center.

WOOD FLOOR INSTALLATION: After positioning the bracket as per the diagram below, mark the holes and drill the appropriate holes for #12 or similar, large wood screws, at least 1.5" [3.8 cm] in length. Use washers as well. All hardware is available at your local hardware store or home center.

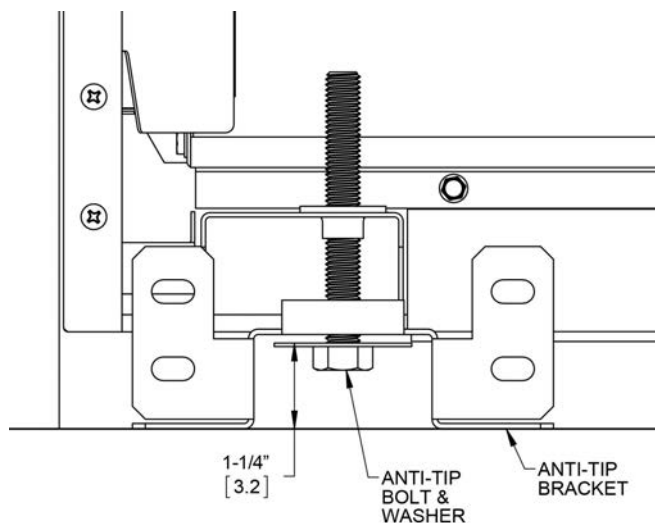
CONCRETE FLOOR INSTALLATION: After positioning the bracket as per the diagram below, mark the holes and drill the appropriate holes for #12 or similar large masonry anchors, at least 1.5" [3.8 cm] in length. Use washers as well. All hardware is available at your local hardware store or home center.



INSTALLATION OF ANTI-TIP DEVICE (CONTINUED)

ANTI-TIP BOLT ADJUSTMENT

After leveling the range, and after the bracket has been attached, adjust the anti-tip bolt and large washer under the range so the top of the washer is 1-1/4" [3.2 cm] maximum from the floor. Slide the range into the opening of the bracket and verify the bolt is engaged in the bracket as seen below. Carefully tip the range forward to check. The range should not move more than 1" [2.5 cm].



REAR VIEW

ELECTRICAL CONNECTIONS

⚠ WARNING

ELECTRICAL SHOCK HAZARD

Disconnect power before installing or servicing appliance. Before turning power ON, be sure all controls are in the OFF position. Failure to do so can result in electrical shock or death.

ELECTRICAL GROUNDING

This appliance must be grounded. Grounding reduces the risk of electric shock in the event of a short circuit. Grounding through the neutral conductor is prohibited for new branch circuit installations (1996 NEC), mobile homes, and recreational vehicles, or in an area where local codes prohibit it. This range has been setup at the factory for a 4-wire connection.

⚠ CAUTION

Improper grounding will cause malfunctions in the unit, such as continuous sparking of the igniters. This can damage the appliance and create a shock hazard condition.

ELECTRICAL CONNECTION

The appliance may be connected using the cordset provided, or may be hard-wired. The appliance must be on its own dedicated circuit - 240 VAC, Single Phase, 60 Hz, with a current rating as shown in the model number listing on pg. 2. The installation must be done in accordance with local codes, or in the absence of local codes, it must be installed in accordance with the National Electrical Code, ANSI/NFPA 70.

⚠ WARNING

For both US and CANADA installations: This appliance is equipped with copper lead wires and must be connected to copper wires only. Improper connection of aluminum house wiring can result in a fire or shock hazard. Use only connectors designed and certified for connecting to aluminum wire, and installed by a qualified electrician.

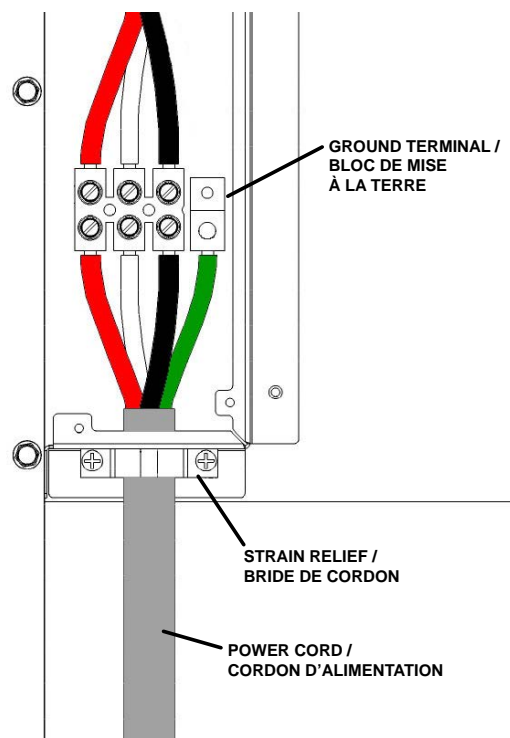


ELECTRICAL CONNECTIONS (CONTINUED)

4-WIRE CONNECTION

For installations where grounding through the neutral conductor is prohibited. Use only 4-conductor cord kits rated 125/250 Volts (min), 50 Amps, and labeled "For Use with Ranges". Your Hestan range is pre-wired at the factory for a 4-wire connection and includes this cordset.

1. Make sure power is off at the supply panel / breaker.
2. Remove the narrow access panel at the rear of the range and locate the chassis ground terminal. Attach GREEN ground appliance wire of supply circuit or cord to chassis using ground screw.
3. Connect WHITE neutral appliance wire to WHITE neutral wire in electrical box.
4. Connect RED (L1) appliance wire to RED power wire in electrical box.
5. Connect BLACK (L2) appliance wire to BLACK power wire in electrical box.
6. Tighten all connections. Strain relief must be installed.

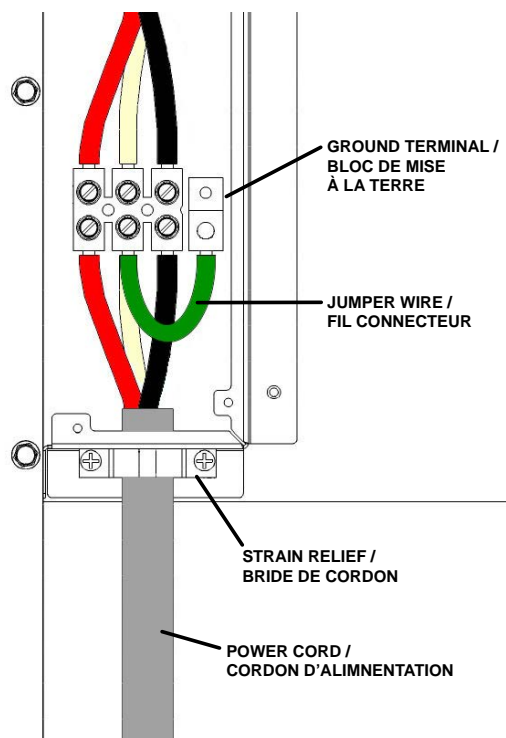


EN

3-WIRE CONNECTION

For installations where grounding through the neutral conductor is allowed. Use only 3-conductor cord kits rated 125/250 Volts (min), 50 Amps, and labeled "For Use with Ranges". This cordset is available at hardware stores and home centers.

1. Make sure power is off at the supply panel / breaker off.
2. Attach WHITE neutral appliance wire to WHITE neutral wire in electrical box and use GREEN ground jumper wire to connect to neutral as shown here.
3. Connect RED (L1) appliance wire to RED power wire in electrical box.
4. Connect BLACK (L2) appliance wire to BLACK power wire in electrical box.
5. Tighten all connections. Strain relief must be installed.



GAS CONNECTION

GAS SUPPLY

The local gas authority or supplier should be consulted at the installation planning stage in order to establish the availability of an adequate supply of gas (NG or LP). If it is a new installation, have the gas authorities or supplier check the meter size and piping to assure that the unit is supplied with the necessary amount of gas supply and pressure to operate the unit(s).

Gas connections should be made by a qualified plumber, or your professional appliance installer.

All appliances must be fitted with an accessible upstream gas shutoff valve as a means of isolating the appliance for emergency shut off and for servicing.

Make certain new piping and connections have been made in a clean manner and have been purged so that piping compound, chips, etc. will not clog regulators, valves, orifices, or burners. Use pipe joint compound / thread sealant approved for natural and LP gases.

The appliance and its individual manual shutoff valve must be disconnected from the gas supply piping system during any pressure testing of that system at test pressures in excess of 1/2 psi [3.5 kPa].

The appliance must be isolated from the gas supply piping system by closing its individual manual shutoff valve during any pressure testing of that system at test pressures equal to or less than 1/2 psi [3.5 kPa].

NEVER CONNECT THE APPLIANCE TO AN UNREGULATED GAS SUPPLY. Before proceeding, ensure the appliance is fitted for Natural or Liquid Propane gas. Connecting to an improper gas type will result in poor performance and increased risk of damage or injury. Gas type and gas consumption (BTU per hour) for each burner type is shown on the rating label.

Installation of this cooking appliance must be made in accordance with local codes. In the absence of local codes, this unit should be installed in accordance with the National Fuel Gas Code No. Z223.1/ NFPA 54, Natural Gas and Propane Installation code CSA B149-1, or Propane Storage and Handling Code B149.2.

NOTE: See rating label for manifold pressure for the type of gas of your appliance.

REGULATOR LOCATION

Range units have the regulator located externally with a short flex hose and mounted to the rear of the range with a bracket as shown here. The gas inlet of the regulator is 1/2" NPT thread.

Connect to the gas supply using a minimum 3/4" inside diameter (1" OD) flexible (semi-rigid) stainless steel gas hose (not included) with appropriate fittings to prevent gas starvation. This hose should be no more than 48" [1.2m] in length. Use the appropriate thread sealant on all connections, except flare fittings.

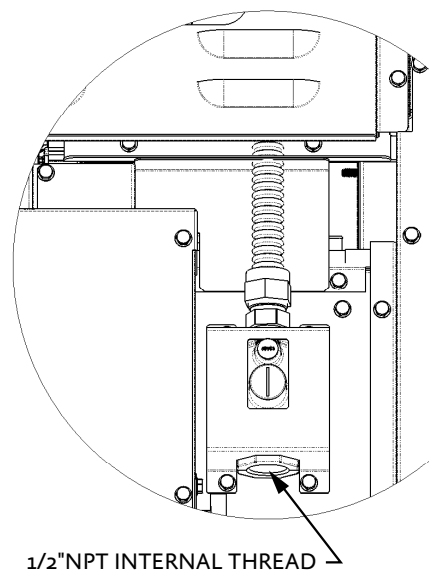
The gas hose must not interfere with the rear of the range. Use caution when pushing the range against the back wall, so that you do not kink or crimp the hose as this could result in a gas leak.

CONVERSION KITS

In the event your Hestan appliance needs to be converted from NG to LP, or vice-versa, you will need to contact Hestan Customer Service to arrange a service call. This conversion should only be performed by a qualified technician.

HIGH ALTITUDE KITS

If you live in a high altitude area, 2,000 ft. [610 m] or more above sea level, your appliance may require different orifices for proper combustion and performance. You will need to contact Hestan Customer Service to arrange a service call. High Altitude kits must be installed by a qualified technician. Please have your model and serial number information ready when you call.



REGULATOR LOCATION

GAS CONNECTION (CONTINUED)

GAS CONNECTION - NATURAL GAS (NG)

To ensure proper heating performance of this appliance, verify that the gas line supply pressure is adequate. The appliance is supplied with a gas pressure regulator already installed. This regulator is set for a supply (inlet) pressure of 7-14 inch WC [1.74-3.48 kPa] to maintain 5 inch WC [1.24 kPa] nominal outlet (manifold) pressure. Ensure that the service pipe supplying the appliance is fitted with a shut-off valve conveniently positioned and easily accessible as an emergency gas shut-off.

GAS CONNECTION - LIQUID PROPANE (LP)

If you purchased an LP version of your appliance, it will be supplied with a gas pressure regulator already installed. This regulator is set to maintain 10 inch WC [2.49 kPa] nominal outlet (manifold) pressure. Ensure that the service pipe supplying the appliance is fitted with a shut-off valve conveniently positioned and easily accessible as an emergency gas shut-off.

When connecting to LP gas, verify the tank is equipped with its own high pressure regulator. The pressure of the gas supplied to the appliance must be 11-14 inch WC [2.74-3.48 kPa].

LEAK TESTING

GENERAL

Although all gas connections on your Hestan appliance are leak tested at the factory prior to shipment, a complete gas tightness check must be performed at the installation site due to possible movement in shipment, or excessive pressure unknowingly being applied to parts of the unit. Immediately check if the smell of gas is detected. Leak testing of the appliance shall be conducted according to these instructions:

BEFORE TESTING

DO NOT SMOKE WHILE LEAK TESTING.

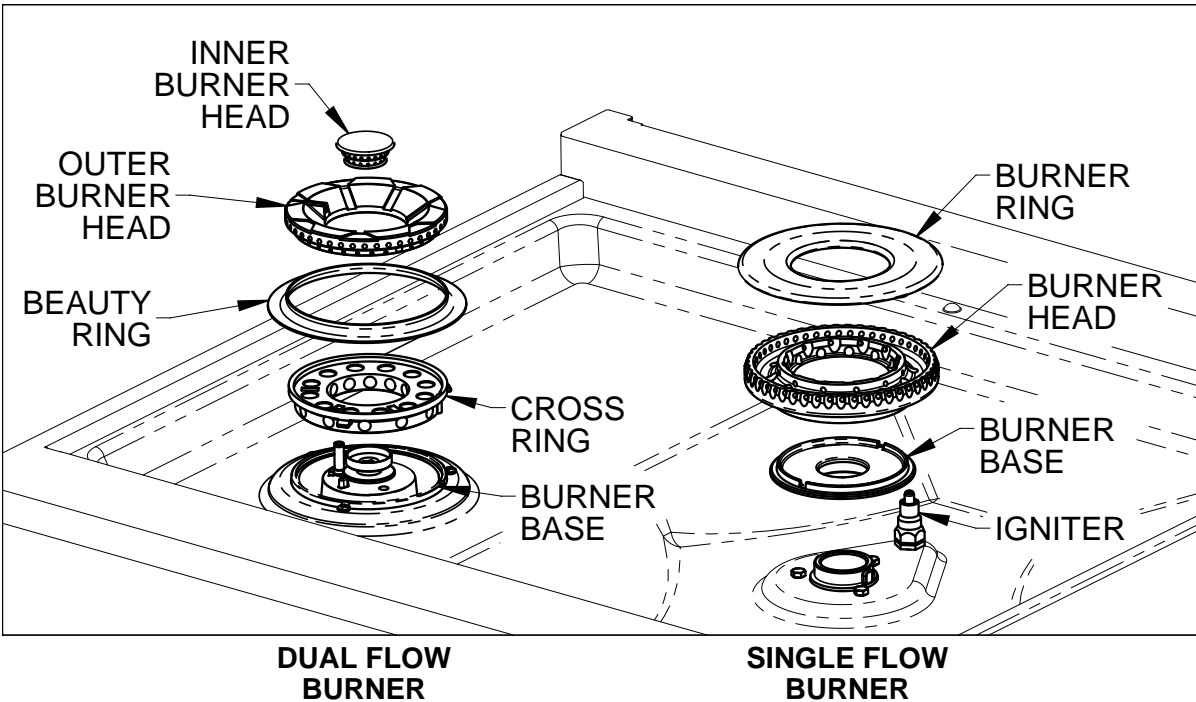
- Never leak test with an open flame.
- Make a soap solution of one part liquid detergent and one part water for leak testing purposes.
- Apply the solution to the gas fittings and flex hose by using a spray bottle or a brush.

TO TEST

- Make sure all control knobs are in the "OFF" position.
- Apply the soap solution to all fittings and flex hose.
- Turn the gas supply on.
- Check all connections from the supply line up to the regulator connection at the rear of the appliance.
- Soap bubbles will appear where a leak is present. If a leak is present, immediately turn off gas supply, tighten any leaking fittings, turn the gas supply back on, and recheck.
- If you cannot stop a gas leak, turn off the gas supply and call the dealer where you purchased your appliance.
- Do not use the appliance until all connections have been checked and do not leak.

FINAL SETUP

Remove any final packaging materials, and protective film from all exterior areas. Check inside oven for other packaging items, tape on oven racks, etc. Install any loose items like sealed burner heads, cooking grates, etc. Ensure the sealed burner heads are properly installed and seated on the burner base as shown below. There are notches on the burner base and cross ring to help with alignment. The outer burner head features a long slot on the top of the head which aligns with the spark igniter. Assembly of the single-flow burner head is similar.



Before testing operation of the appliance, verify the leak check was performed and the electrical power has been restored to the unit. Turn the gas shut-off valve to the open position.

NOTICE

All the control knobs must be in the OFF position to prevent unintended operation at power up. To ensure customer safety in the event of a power failure, the range will display an error message when the power is restored unless all the knobs are in the OFF position. Set all the knobs to OFF, and reset the breaker to clear the error message.

DO NOT ATTEMPT TO USE THE RANGE DURING A PROLONGED POWER FAILURE.

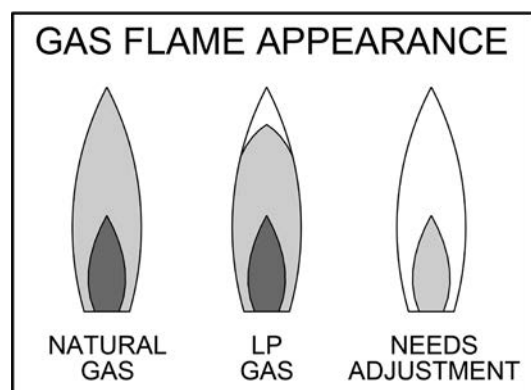
FINAL SETUP (CONTINUED)

Verify ignition at each burner. Igniter will make a clicking sound until the flame lights within 4 seconds, then the clicking will stop. Check flame characteristics at each burner per the descriptions below. Flames should be stable and not dance or lift off the burner ports. Flame may need to burn for a few minutes to purge the gas lines of impurities. These appear as intermittent orange tips or even tiny sparks in the flame. This is normal and the flame will eventually stabilize like those shown in the image below.

If after a few minutes the flames continue to burn mostly yellow, verify that the burner head is properly installed on top of the base, then retest. Use caution when handling the burner head. They can be very hot.

Turn down the control knob to the simmer setting to check function.

Check each burner individually, then check they operate satisfactorily with other burners on.



Light blue flame - Natural gas normal flame

Light blue flame with yellow tips - LP gas normal flame

Yellow flame - Needs adjustment

If after all the above tests still result in mostly yellow flames, or the burners do not light, contact Hestan customer service to schedule a service call.

GAS GRIDDLE

The gas griddle does not have flame/burner adjustments. Turn the control knob to HIGH, verify that the griddle heats up. You may also notice a constant orange glow at the rear vents of the griddle area. This is normal during operation of the griddle.

Turn all burners off when testing is complete.

UNITS EQUIPPED WITH SMART BURNER™

Consult the Use & Care manual supplied with this appliance for instructions on how to use this special control knob which uses Bluetooth® wireless technology.

APPENDIX

EN

| TABLE 1 - BACKGUARD OPTIONS | | |
|-----------------------------|-----------------|-----------------------------|
| RANGE MODEL | BACKGUARD MODEL | DESCRIPTION |
| KRD304 | KBGIT30* | BACKGUARD, ISLAND TRIM, 30" |
| | KBGLB30 | BACKGUARD, LOW BACK, 30" |
| | KBGHS30 | BACKGUARD, HIGH SHELF, 30" |
| KRD365/KRDS365 | KBGIT36* | BACKGUARD, ISLAND TRIM, 36" |
| | KBGLB36 | BACKGUARD, LOW BACK, 36" |
| | KBGHS36 | BACKGUARD, HIGH SHELF, 36" |
| KRD364GD | KBGIT36* | BACKGUARD, ISLAND TRIM, 36" |
| | KBGLB36 | BACKGUARD, LOW BACK, 36" |
| | KBGHS36 | BACKGUARD, HIGH SHELF, 36" |
| KRD485GD | KBGIT48* | BACKGUARD, ISLAND TRIM, 48" |
| | KBGLB48 | BACKGUARD, LOW BACK, 48" |
| | KBGHS48 | BACKGUARD, HIGH SHELF, 48" |
| KRD484GD | KBGIT48* | BACKGUARD, ISLAND TRIM, 48" |
| | KBGLB48 | BACKGUARD, LOW BACK, 48" |
| | KBGHS48 | BACKGUARD, HIGH SHELF, 48" |

* INCLUDED WITH RANGE