

DIRECT-TEMP®

Direct Vent System



Gas
Pellet
Multi-Fuel



Direct-Temp® is Omni, ITS/Warnock Hersey or CSA tested and accepted for use with most major brands of direct vent appliances. For a complete listing, visit us at selkirkcorp.com



SELKIRK®
STRONG.

FEATURES



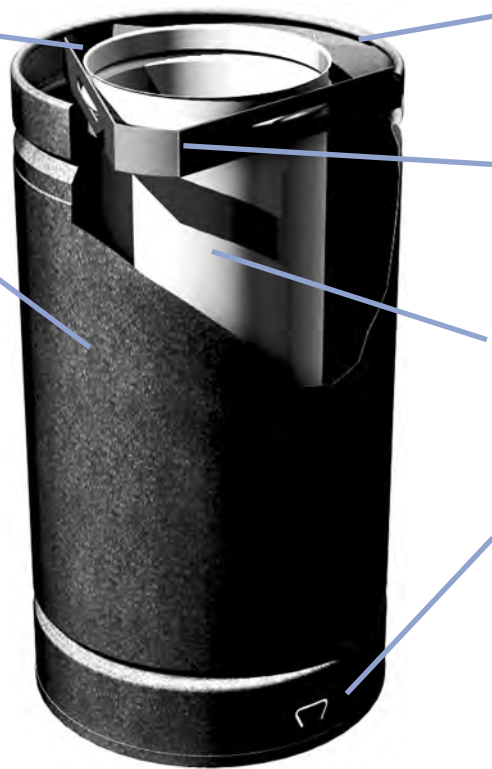
- 304 stainless steel welded seam inner flue
- LockTab® security
- Pipe rotates easily to align system components
- No sealant required
- High efficiency performance
- Siliconized fiberglass seal

WHAT MAKES THE DIRECT-TEMP® SYSTEM UNIQUE?

Chamfered edges allow for easy slide-together assembly.

Centering brackets are not welded or riveted in place, creating a more attractive outer jacket and a smooth profile. The free-floating inner liner allows the pipe to expand and contract under high temperature, without creating gaps or stress points in the system.

Our proprietary siliconized fiberglass seal adds an extra layer of protection to ensure combustion products won't leak out.



Outer walls are constructed of heavy duty galvanized steel and are available in powder coat black or unpainted versions.

Heavy duty centering brackets keep inner pipe centered for easy assembly. Brackets also allow the inner pipe to float, allowing for expansion and contraction.

The 304 stainless steel seam-welded inner pipe provides exceptional corrosion resistance and enhances overall system integrity.

Our LockTab® is a unique design that allows for 360° rotation while securely locking the sections of pipe together with just a push of the tab.



ALL BACKED BY THE BEST WARRANTY IN THE BUSINESS.

Pellet & Gas Pipe & Accessories



Direct-Temp Pipe Lengths

DIRECT-TEMP® PIPE LENGTH



- Available in lengths of 6", 9", 12", 18", 24", 36" and 48"

Size	Description	Part #	(A) Lengths	Galvanized Sku #	Black Sku #	Net Installed Lengths
4 x 6 5/8	DT - 6" Pipe	4DT-06	6"	1604006	1604006B	4 3/8"
	DT - 9" Pipe	4DT-09	9"	1604009	1604009B	7 3/8"
	DT - 12" Pipe	4DT-12	12"	1604012	1604012B	10 3/8"
	DT - 18" Pipe	4DT-18	18"	1604018	1604018B	16 3/8"
	DT - 24" Pipe	4DT-24	24"	1604024	1604024B	22 3/8"
	DT - 36" Pipe	4DT-36	36"	1604036	1604036B	34 3/8"
	DT - 48" Pipe	4DT-48	48"	1604048	1604048B	46 3/8"
5 x 8	DT - 6" Pipe	5DT-06	6"	1605006	1605006B	4 3/8"
	DT - 9" Pipe	5DT-09	9"	1605009	1605009B	7 3/8"
	DT - 12" Pipe	5DT-12	12"	1605012	1605012B	10 3/8"
	DT - 18" Pipe	5DT-18	18"	1605018	1605018B	16 3/8"
	DT - 24" Pipe	5DT-24	24"	1605024	1605024B	22 3/8"
	DT - 36" Pipe	5DT-36	36"	1605036	1605036B	34 3/8"
	DT - 48" Pipe	5DT-48	48"	1605048	1605048B	46 3/8"

NOTE: Add (B) to end of Part # to specify black exterior when ordering.

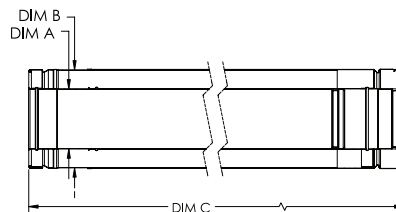
TELESCOPIC LENGTH



- Telescopic lengths adjust 14"–22" on TL14 or 38"–70" on TL38

Size	Description	Part #	Sku #
4 x 6 5/8	DT - 6" Pipe	4DT-06	1604006
	Telescopic Length 14-22" 4 x 6-5/8" Black	4DT-TL14B	1604084B
	Telescopic Length 38-70" 4 x 6-5/8"	4DT-TL38	1604086
	Telescopic Length 38-70" 4 x 6-5/8" Black	4DT-TL38B	1604086B

Part #	DIM A	DIM B	DIM C
4DT-TL14	4"	6.625"	14-22"
4DT-TL38	4"	6.625"	38-70"



ADJUSTABLE LENGTH



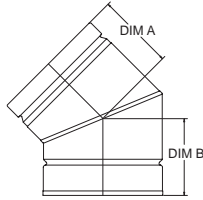
- Adjustable length slides onto standard pipe section for adjustment from 4" to 10"

Size	Description	Part #	Sku #
4 x 6 5/8	Adjustable Length 4-10" 4 x 6-5/8"	4DT-AJ12	1604082
	Adjustable Length 4-10" 4 x 6-5/8" Black	4DT-AJ12B	1604082B
5 x 8	Adjustable Length 4-10" 5 x 8"	5DT-AJ12	1605082
	Adjustable Length 4-10" 5 x 8" Black	5DT-AJ12B	1605082B

SIZE	DIM A
4 x 6-5/8"	12.0"
5 x 8"	12.0"

Direct-Temp Elbows

45° ELBOW

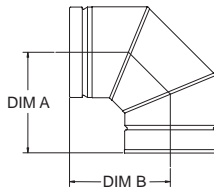


- 45° fixed elbow rotates at the joint connection to properly align installation

Size	Description	Part #	SKU #
4 x 6 5/8	Elbow 4 x 6-5/8" 45 Degrees	4DT-EL45	1604215
	Elbow 4 x 6-5/8" 45 Degrees Black	4DT-EL45B	1604215B
5 x 8	Elbow 5 x 8" 45 Degrees	5DT-EL45	1605215
	Elbow 5 x 8" 45 Degrees Black	5DT-EL45B	1605215B

SIZE	DIM A	DIM B
4 x 6-5/8"	4.30"	4.30"
5 x 8"	5.00"	5.00"

90° ELBOW



- 90° fixed elbow rotates at the joint connection to properly align installation

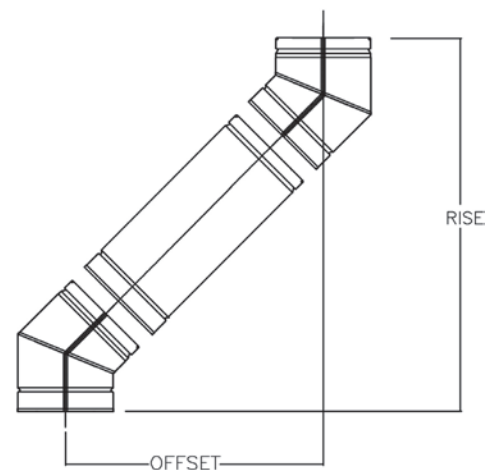
Size	Description	Part #	SKU #
4 x 6 5/8	Elbow 4 x 6-5/8" 90 Degrees	4DT-EL90S	1604230S
	Elbow 4 x 6-5/8" 90 Degrees Black	4DT-EL90SB	1604230SB
5 x 8	Elbow 5 x 8" 90 Degrees	5DT-EL90	1605230
	Elbow 5 x 8" 90 Degrees Black	5DT-EL90B	1605230B

SIZE	DIM A	DIM B
4 x 6-5/8"	6.50"	6.50"
5 x 8"	7.30"	7.30"

OFFSET CHART

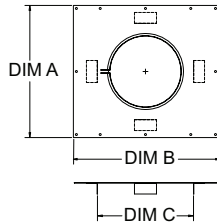
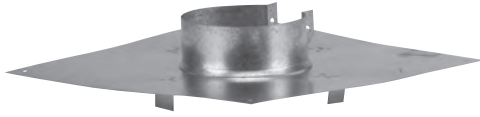
Chimney Length	4" x 6-5/8"		5" x 8"	
	Offset	Rise	Offset	Rise
Two 45's Only	4.125"	13.5"	5.875"	15.5"
6"	8"	16.125"	9"	19"
9"	10.25"	18.375"	11.25"	20.75"
12"	12.25"	20.375"	13.125"	23.125"
18"	17"	24.625"	17.375"	27.25"
24"	20.25"	29.25"	21.625"	31.5"
36"	29.25"	37.5"	30"	40"
48"	37.75"	46.875"	38"	48.625"

NOTE: There is +/- 1" tolerance in dimensions due to production variations.



Direct-Temp Supports

CEILING SUPPORT

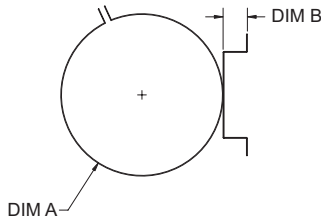


- Used as support on vertical applications when penetrating flat ceilings or floors

Size	Description	Part #	Sku #
4 x 6^{5/8}	Ceiling Support 4 x 6-5/8"	4DT-CS	1604400
5 x 8	Ceiling Support 5 x 8"	5DT-CS	1605400

SIZE	DIM A	DIM B	DIM C
4 x 6-5/8"	12.0"	12.0"	8.73"
5 x 8"	14.0"	14.0"	10.125"

WALL SUPPORT/BAND

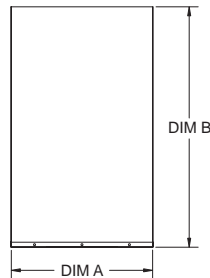


- Used as a support along the wall to provide stability and 1" clearance

Size	Description	Part #	Sku #
4 x 6^{5/8}	Wall Support/Band 4 x 6-5/8"	4DT-WS/B	1604430
5 x 8	Wall Support/Band 5 x 8"	5DT-WS/B	1605430

SIZE	DIM A	DIM B
4 x 6-5/8"	6.625"	1.0"
5 x 8"	8.0"	1.0"

CATHEDRAL CEILING SUPPORT BOX

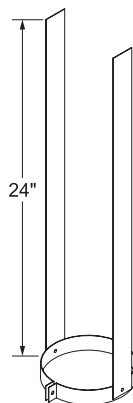
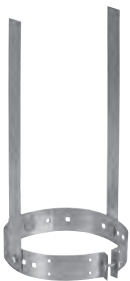


- Used to support Direct-Temp pipe when installing in a cathedral or pitched ceiling. CCS comes with Support Collar and Decorative two-piece Trim Plate

Size	Description	Part #	Sku #
4 x 6^{5/8}	Cathedral Ceiling Spprt. Box 4 x 6-5/8" Blk.	4DT-CCS	1604424B
5 x 8	Cathedral Ceiling Spprt. Box 5 x 8" Blk.	5DT-CCS	1605424B

SIZE	DIM A	DIM B
4 x 6-5/8"	10.625"	14.0"
5 x 8"	10.625"	14.0"

OFFSET SUPPORT

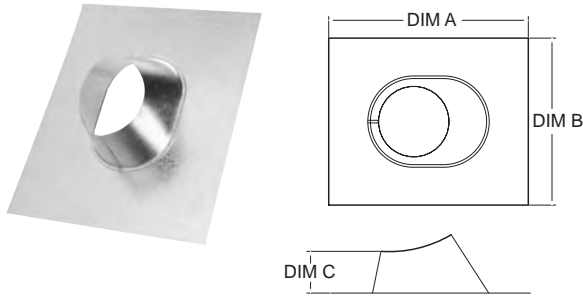


- Supports Direct-Temp pipe when using offsets or as a re-support on vertical runs that need additional support

Size	Description	Part #	Sku #
4 x 6^{5/8}	Offset Support 4 x 6-5/8"	4DT-OS	1604435
5 x 8	Offset Support 5 x 8"	5DT-OS	1605435

Direct-Temp Flashings and Collar

ADJUSTABLE ROOF FLASHING 0/12 TO 6/12

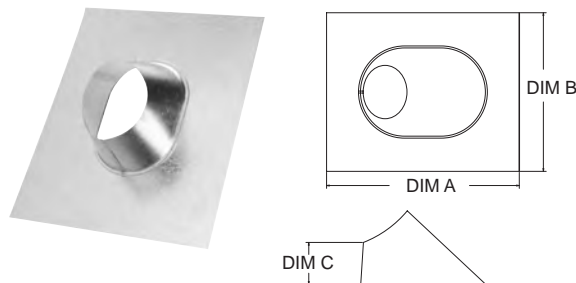


- Used to seal the opening where the Direct-Temp pipe penetrates the roof at 0/12 to 6/12 pitch

Size	Description	Part #	Sku #
4 x 6 5/8	0/12 - 6/12 4 x 6-5/8"	4DT-AF6	1604825
5 x 8	0/12 - 6/12 5 x 8"	5DT-AF6	1605825

SIZE	DIM A	DIM B	DIM C
4 x 6-5/8"	18.00"	15.25"	4.0"
5 x 8"	28.50"	24.00"	4.0"

ADJUSTABLE ROOF FLASHING 6/12 TO 12/12



- Used to seal the opening where the Direct-Temp pipe penetrates the roof at 6/12 to 12/12 pitch

Size	Description	Part #	Sku #
4 x 6 5/8	6/12 - 12/12 4 x 6-5/8"	4DT-AF12	1604830
5 x 8	6/12 - 12/12 5 x 8"	5DT-AF12	1605830

SIZE	DIM A	DIM B	DIM C
4 x 6-5/8"	24.30"	20.00"	4.0"
5 x 8"	31.875"	27.00"	4.0"

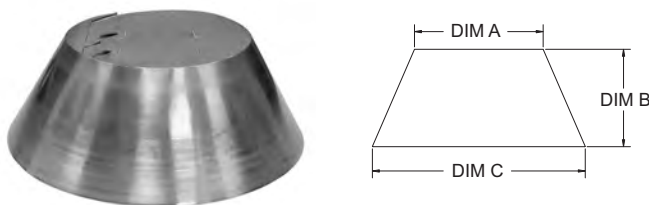
RUBBER BOOT ROOF FLASHING



- Used for installations on corrugated roofs flat to 12/12 pitch to seal where Direct-Temp pipe penetrates the roof. Kit includes rubber boot (23.8" x 21.5"), spacers kit, special storm collar and mounting screws

Size	Description	Part #	Sku #
4 x 6 5/8	Universal Rubber Boot Flashing Kit	URBAK	200275
5 x 8	Universal Rubber Boot Flashing Kit	URBAK	200275

STORM COLLAR



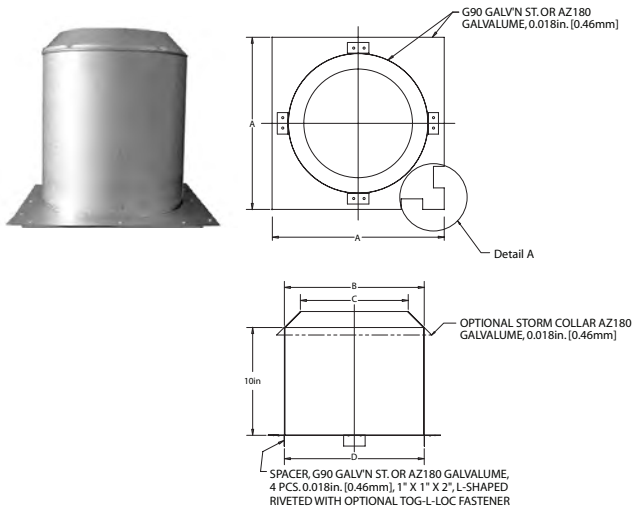
- Used with silicone sealant just above the roof flashing to provide a weather proof seal to the pipe

Size	Description	Part #	Sku #
4 x 6 5/8	Storm Collar 4 x 6-5/8"	4DT-SC	1604810
5 x 8	Storm Collar 5 x 8"	5DT-SC	1605810

SIZE	DIM A	DIM B	DIM C
4 x 6-5/8"	6.625"	5.50"	11.0"
5 x 8"	8.0"	5.50"	15.0"

Direct-Temp Shields

ATTIC INSULATION SHIELD

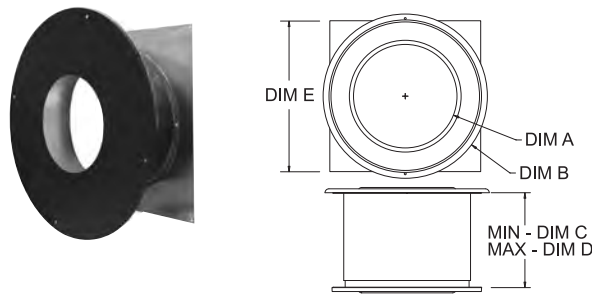


- The attic insulation shield is required to guard against the hazard of blown in or blanket insulation occupying the required 1" airspace around the vent

Size	Description	Part #	Sku #
4 x 6 5/8"	Attic Insulation Shield 4 x 6-5/8"	4DT-AIS	1604490
5 x 8"	Attic Insulation Shield 5 x 8"	5DT-AIS	1605490

SIZE	DIM A	DIM B	DIM C	DIM D
4 x 6-5/8"	10.75"	8.75"	6.75"	8.75"
5 x 8"	12.125"	10.125"	8.125"	10.125"

WALL THIMBLE

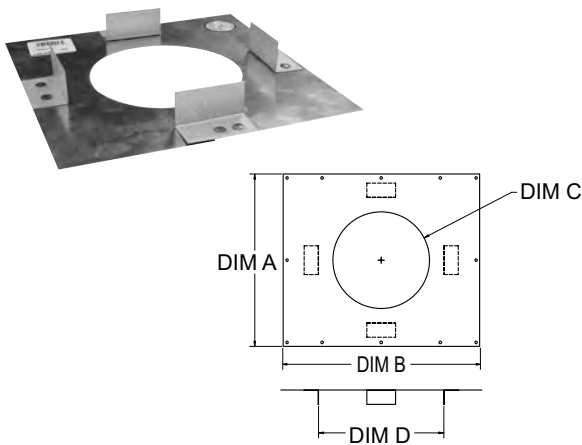


- Two-piece wall thimble easily slides together for installation on varying wall thicknesses. Serves a dual purpose as both a heat shield and firestop

Size	Description	Part #	Sku #
4 x 6 5/8"	Wall Thimble 4 x 6-5/8" Black	4DT-WT	1604460B
5 x 8"	Wall Thimble 5 x 8" Black	5DT-WT	1605460B

SIZE	DIM A	DIM B	MIN C	MAX D	DIM E
4 x 6-5/8"	6.75"	14.0"	4.75"	7.0"	10.75"
5 x 8"	8.125"	19.0"	4.5"	7.5"	16" x 16"

FIRESTOP SPACER



- Required when penetrating combustible materials. Refer to our installation instructions for specific requirements

Size	Description	Part #	Sku #
4 x 6 5/8"	Firestop Spacer 4 x 6-5/8"	4DT-FS	1604500
5 x 8"	Firestop Spacer 5 x 8"	5DT-FS	1605500

SIZE	DIM A	DIM B	DIM C	DIM D
4 x 6-5/8"	12.0"	12.0"	6.72"	8.73"
5 x 8"	14.0"	14.0"	8.125"	10.125"

Direct-Temp Adapters

APPLIANCE ADAPTER

- 4DT-AA Appliance Adapter can be used to ensure secure connection to twist-lock type appliance outlet collars



4DT-AA Appliance Adapter

Size	Description	Part #	Sku #	Dim A
4 x 6 5/8	Appliance Adapter 4 x 6-5/8" Black	4DT-AA	1604245B	4"
	Vermont Castings Adapter 4 x 6-5/8" Black	4DT-AAV	1604246B	13 5/16"
	Appliance Adapter Universal/Napoleon 4 x 7" Black*	4DT-AA47(AA47)	1604247B	6"
5 x 8	Appliance Adapter 5 x 8"	5DT-AA	1605247	4"
	Napolean Fireplace Adapter	5DT-AAN	1605247	5 3/8"

*For all direct vent appliances with 4" x 7" outlet, including Napoleon.

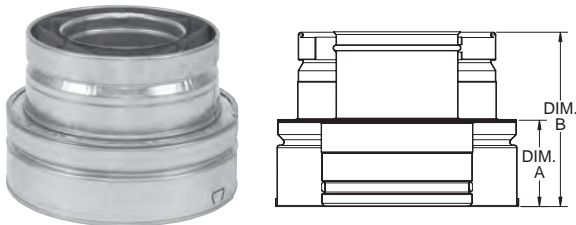
NOTE: - The Appliance Adapter is not required in every application.

- DIRECT-TEMP WILL SLIDE DIRECTLY ON TO MOST DIRECT VENT APPLIANCE OUTLETS

4DT-AAV Vermont Castings Adapter

5 X 8 TO 4 X 6-5/8 REDUCER

- Our Direct-Temp® direct vent reducer allows you to adapt 5 x 8" Direct-Temp pipe diameter to the 4 x 6-5/8" pipe diameter for vertical run applications when permitted by appliance manufacturer

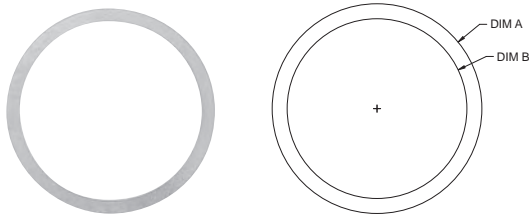


Size	Description	Part #	Sku #
5 x 8	5 x 8" to 4 x 6-5/8" DT Pipe Reducer	5DT-R4	1605364

SIZE	DIM A	DIM B
5 x 8"	2.88"	5.75"

Direct-Temp Accessories

RESTRICTION DISK

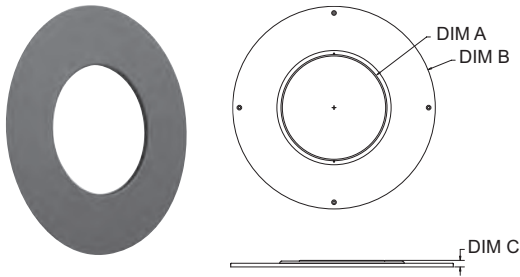


- Use in accordance with appliance manufacturer's instructions only

Size	Description	Part #	Sku #
4 x 6 5/8	Restriction Disk 4 x 6-5/8"	4DT-RD	1604285

SIZE	DIM A	DIM B
4 x 6-5/8"	5.25"	4.50"

TRIM PLATE

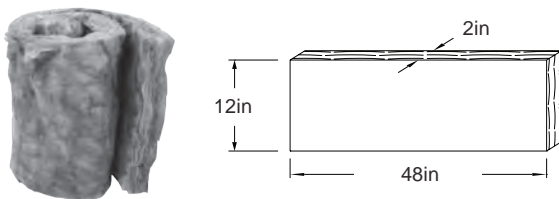


- Used to provide a finished look at the ceiling for vertical installations

Size	Description	Part #	Sku #
4 x 6 5/8	Trim Plate 4 x 6-5/8" Black	4DT-TP	1604502
5 x 8	Trim Plate 5 x 8" Black	5DT-TP	1605502

SIZE	DIM A	DIM B	DIM C
4 x 6-5/8"	6.75"	14.0"	.50"
5 x 8"	8.125"	19.0"	.312"

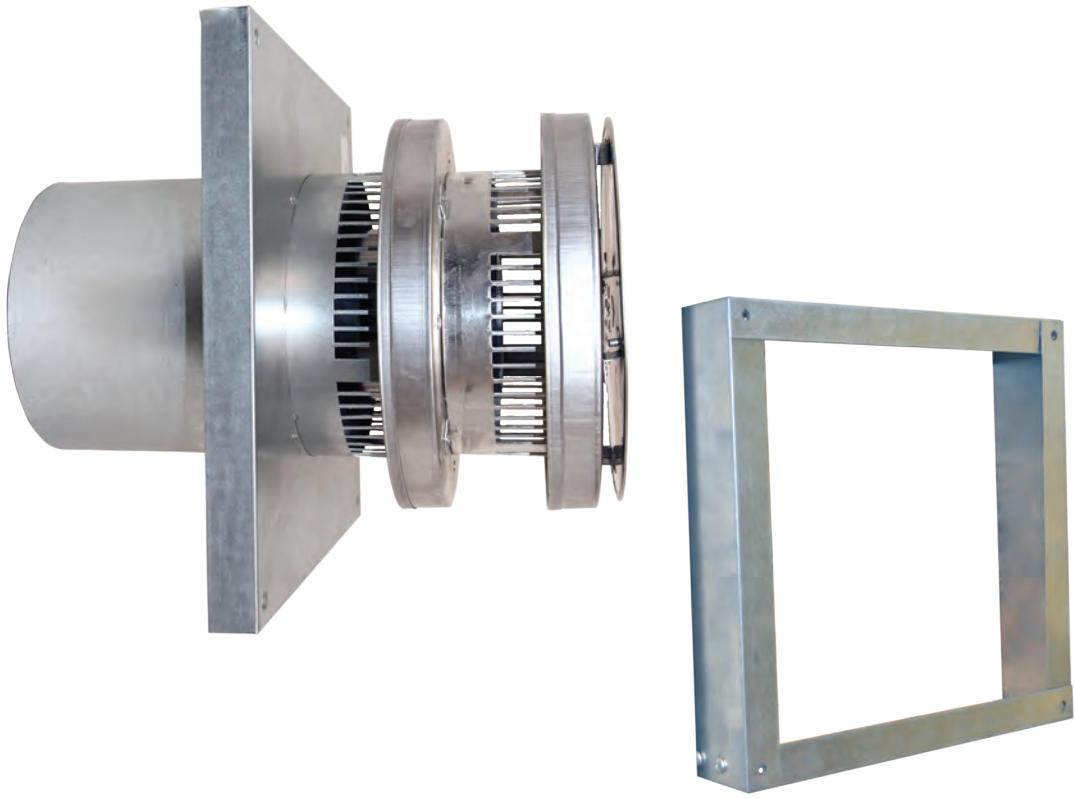
SUSI (SELKIRK UNIVERSAL SHIELDING INSULATION)



- Optional insulation for use with the Cathedral Ceiling Support Box, Attic Insulation Shield and Wall Thimble. The SUSI protects building materials against radiant heat from the chimney and helps maintain temperatures within the chimney system. The SUSI also reduces air infiltration into the dwelling.

Part #	Sku #
SUSI	200001

Gas Accessories

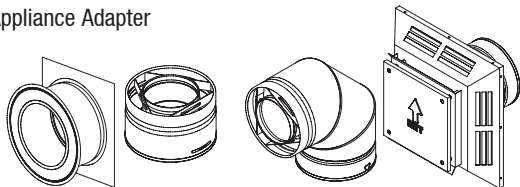


Direct-Temp Termination Kits

TERMINATION KITS

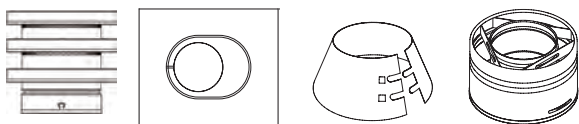
Horizontal Termination Kit "A" Includes:

90° Elbow, Wall Thimble, Horizontal Termination, and Appliance Adapter



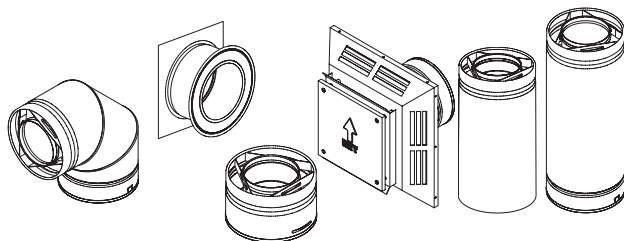
Vertical Termination Kit Includes:

Adjustable Flashing 0/12–6/12, Appliance Adapter, Storm Collar, and Vertical Termination



Horizontal Termination Kit "B" Includes:

90° Elbow, Wall Thimble, Horizontal Termination, Appliance Adapter, 24" Pipe, and Adjustable Length Pipe (4"–10")



Size	Description	Part #	SKU #
4 x 6 5/8	Vertical Termination Kit	4DT-VKC	1604620
	Horizontal Termination Kit "A"	4DT-HKA	1604621
	Horizontal Termination Kit "B"	4DT-HKB	1604622



CHIMNEY CONVERSION KITS (USA ONLY)

Size	Description	Part #	SKU #
4 x 6 5/8	Masonry Chimney Conversion Kit	4DT-MCK	1604630
	CHIM. CONV. KIT A (for 6" ID / 8" OD Class A Chimney)	4DT-CCKA	1604631
	CHIM. CONV. KIT B (for 8" ID / 10" OD Class A Chimney)	4DT-CCKB	1604635



Masonry Chimney Conversion Kit
Connect to a masonry chimney using Selkirk aluminum Flexi-Liner (sold separately)



Chimney Conversion Kit
Connect to a 6" I.D. or 8" I.D. Class A chimney using Selkirk aluminum Flexi-Liner (sold separately)

Masonry Chimney Conversion Kit Includes:

Chimney Inlet Adapter, Chimney Outlet Adapter, and Flashing

Chimney Conversion Kit "A" Includes:

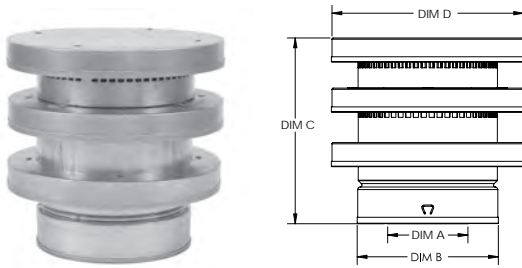
6" Chimney Inlet Connector, 6" Chimney Outlet Connector, and screw pack

Chimney Conversion Kit "B" Includes:

8" Chimney Inlet Connector, 8" Chimney Outlet Connector, and screw pack

Direct-Temp Termination Caps

VERTICAL TERMINATION

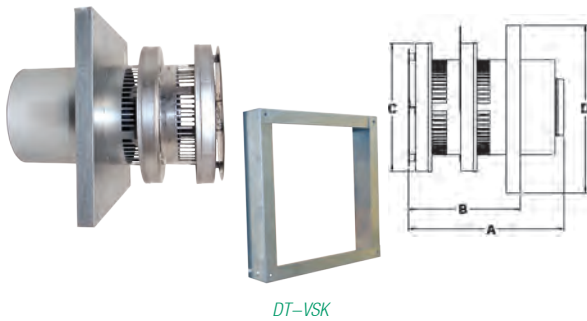


- Used as end cap for vertical applications only

Size	Description	Part #	Sku #
4 x 6 5/8"	Vertical Termination 4 x 6-5/8"	4DT-VT	1604800
5 x 8"	Vertical Termination 5 x 8"	5DT-VT	1605800

SIZE	DIM A	DIM B	DIM C	DIM D
4 x 6-5/8"	4"	6.625"	8.75"	9.125"
5 x 8"	5"	8.00"	8.75"	11.125"

HORIZONTAL TERMINATION

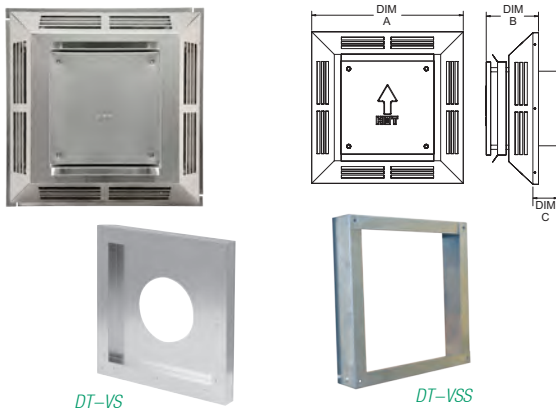


- Used for horizontal venting applications, corrosion resistant construction with stainless steel inner wall

Size	Description	Part #	Sku #
4 x 6 5/8"	Horizontal Termination 4 x 6-5/8"	4DT-HCR	2003949
5 x 8"	Horizontal Termination 5 x 8"	5DT-HCR	2003950
4 x 6 5/8"	Low Profile Vinyl Siding Shield for Round	4DT-VSK	2003503
5 x 8"	Low Profile Vinyl Siding Shield for Round	5DT-VSK	2003504

SIZE	DIM A	DIM B	DIM C	DIM D
4 x 6-5/8"	11"	8"	9.125"	12"
5 x 8"	13"	8.5"	11"	11.125"

INSULATED HORIZONTAL TERMINATION

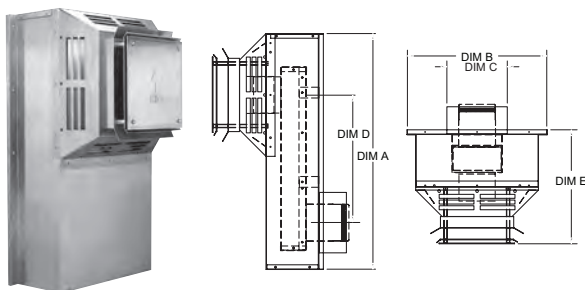


- Used as end cap for horizontal applications only
- Standoff used as a heat shield for vinyl siding when terminating horizontally

Size	Description	Part #	Sku #
4 x 6 5/8"	Horizontal Termination 4 x 6-5/8"	4DT-HC	1604804
5 x 8"	Horizontal Termination 5 x 8"	5DT-HC	1605804
4 x 6 5/8"	Vinyl Siding Standoff 4 x 6-5/8"	4DT-VS	1604806
5 x 8"	Vinyl Siding Standoff 5 x 8"	5DT-VS	1605806
4 x 6 5/8"	Low Profile Vinyl Siding Shield for Square	4DT-VSS	2004818
5 x 8"	Low Profile Vinyl Siding Shield for Square	5DT-VSS	2004819

SIZE	DIM A	DIM B	DIM C
4 x 6-5/8"	13.50"	7.0"	2-3/4"
5 x 8"	16.0"	7.0"	2-3/4"

SNORKEL TERMINATION



- Use when horizontal termination is too close to grade or additional height is needed

Size	Description	Part #	Sku #
4 x 6 5/8"	14" Rise Snorkel Termination 4 x 6-5/8"	4DT-ST14	1604836
	36" Rise Snorkel Termination 4 x 6-5/8"	4DT-ST36	1604838
5 x 8"	14" Rise Snorkel Termination 5 x 8"	5DT-ST14	1605836
	36" Rise Snorkel Termination 5 x 8"	5DT-ST36	1605838

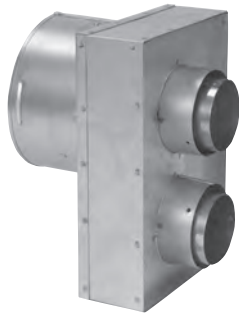
SNORKEL SIZE	DIM A	DIM B	DIM C	DIM D	DIM E
14.0"	26.0"	15.25"	6.63"	14.0"	13.25"
36.0"	48.0"	15.25"	6.63"	36.0"	13.25"

SNORKEL SIZE	DIM A	DIM B	DIM C	DIM D	DIM E
14.0"	27.55"	17.81"	8.04"	14.0"	13.25"
36.0"	49.55"	17.81"	8.04"	36.0"	13.25"

Direct-Temp Adapters

CO-LINEARS – PARTS AND ADAPTERS

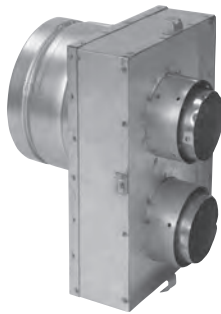
- Use with Selkirk 3" aluminum Flexi-Liner or equivalent.



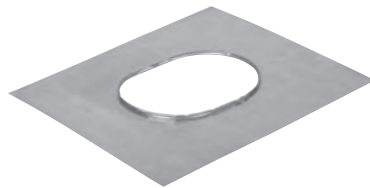
AAC



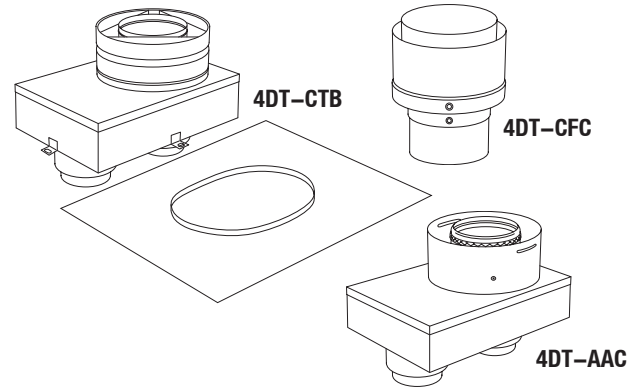
CFC



CTB



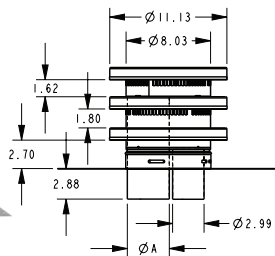
Size	Description	Part #	Sku #
4 x 6 5/8	Co-Linear Termination Box with Baseplate	4DT-CTB	1604650
	Co-Linear Appl. Adapter-Standard	4DT-AAC	1604655
	Co-Linear Appl. Adapter-Vermont Castings	4DT-AACV	1604656
	Co-Linear Appl. Adapter-Travis Industries	4DT-AACT	1604657
	Co-Linear Flex Connector	4DT-CFC	1604085



Direct-Temp Accessories

INTEGRATED CO-LINEAR CAP AND KIT

- No adapter required
- 16" x 16" flashing base
- Integrated air intake/exhaust connections



Size	Description	Part #	Sku #
3 / 3	3" Co-linear Cap	4DT-CC33	1604643
3 / 4	4" Co-linear Cap	4DT-CC43	1604644
3 / 3	3" Co-linear 35' Liner Kit*	4DT-33IK35	1604645
3 / 4	4" Co-linear 35' Liner Kit*	4DT-34IK35	1604646

*Co-linear kits includes co-linear cap and 35' Flexi-Liner aluminum liner

Pellet Accessories



PELLET VENT COMPONENTS

PELLET STOVE ADAPTERS



4DT-VPSA

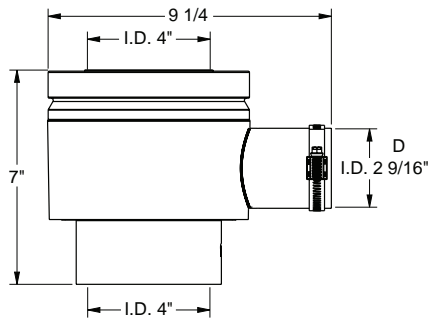
Description	Part #	Sku #	A	B	C	D
VP Pellet Stove Adapter	4DT-VPSA	1604248	6.59"	6.125"	4.54"	2.75"
VP Pellet Stove Adapter Low Profile	4DT-VPSAL	1604249	6.59"	5.5"	4"	2.6" I.D.
UPP Pellet Stove Adapter	4UPP-DTA	824037	6.57"	7.75"	4.75"	
UPP Pellet Stove Adapter-Black	4UPP-DTAB	824037B	6.57"	7.75"	4.75"	
UPP Pellet Stove Adapter Low Profile	4DT-UPPSAL	1604840	9.25"	7"	4"	2.625"

DIM A	DIM B	DIM C
6.50"	6.125"	4.54"

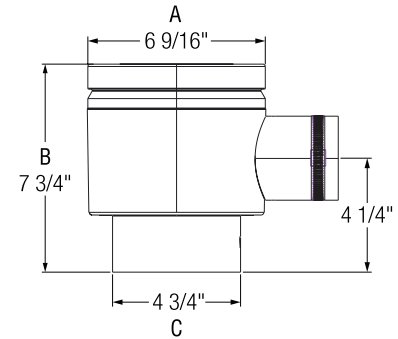
NOTE: Allows pellet stove to connect to Direct Temp



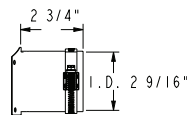
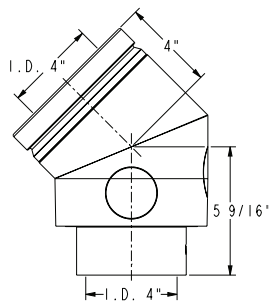
4DT-UPPSAL



4UPP-DTA



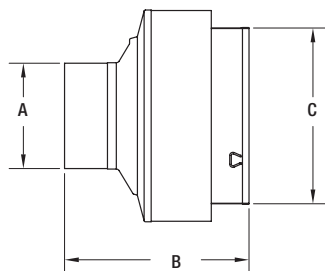
45° PELLET STOVE ADAPTER



NOTE: Allows pellet stove to connect to Direct Temp

Description	Part #	Sku #
VP Pellet Stove Adapter 45 Degree	4DT-VPSA45	1604250
UPP Pellet Stove Adapter 45 Degree	4DT-UPPSA45	1604841

PELLET STOVE TERMINATION ADAPTER



Description	Part #	Sku #
Direct Vent Pellet Termination Adapter	4DT-VPTA	1604805

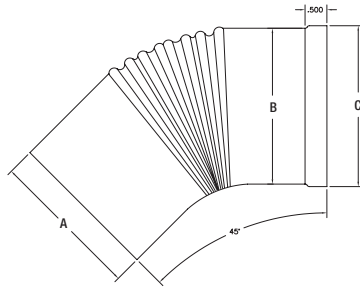
DIM A	DIM B	DIM C
4.00"	7.00"	6.67"

NOTE: Use in conjunction with horizontal Exit Cap (4VP-EC), Decorative Cone Cap (4DT-DCC) or Vertical Termination (4VP-VC)

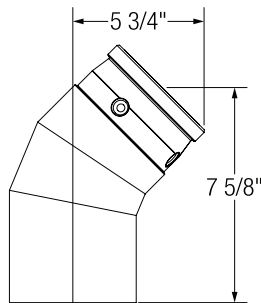
45° HORIZONTAL TERMINATION ELBOW



VP



UPP



Description	Part #	SKU #
VP 45° Horizontal Termination Elbow*	4DT-VPTE	1604214
UPP 45° Horizontal Termination Elbow**	4UPP-45E	824008
UPP 45° Horizontal Termination Elbow Black**	4UPP-45EB	824008B

DIM A	DIM B	DIM C
3.915"	4.03"	4.160"

***NOTE:** Use in conjunction with Exit Cap (4VP-EC) or Decorative Cone Cap (4DT-DCC) to direct horizontal exhaust directionally

****NOTE:** Use in conjunction with Screen Cap (4UPP-45T)

DECORATIVE CONE CAP



Description	Part #	SKU #
VP Decorative Cone Cap	4DT-DCC	1604803

316 Stainless Steel

COMBUSTION AIR KIT

To direct combustion air from 4DT-VPSA to pellet stove incoming air inlet.



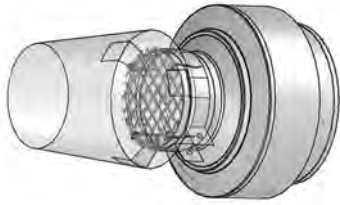
Description	Part #	SKU #
Combustion Air Kit	4DT-CAK	1604614

KIT INCLUDES:

- One hose clamp....adjusts from 1-1/2" to 3-1/2" to fit all pellet stoves
- 3 feet of 3" ID aluminum flex pipe

OUTLET SCREEN

Attaches inside 4DT-DCC or 4VP-EC to prevent animals, birds and debris from entering horizontal vent.

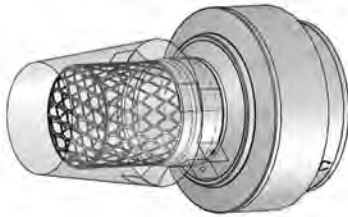


4DT-VPOS Outlet Screen installed

Description	Part #	Sku #
VP Outlet Screen	4DT-VPOS	1604790

SPARK SCREEN

Attaches inside 4DT-DCC to reduce sparks and to prevent animals, birds and debris from entering. Easily removed for cleaning.



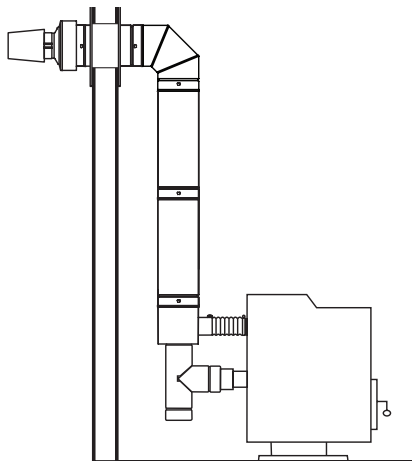
4DT-VPSS Spark Screen installed

Description	Part #	Sku #
VP Spark Screen	4DT-VPSS	1604791

VP PELLET TERMINATION KITS

VP Pellet Pipe common termination kits. Pipe lengths not included.

UP & OUT HORIZONTAL TERMINATION KIT*



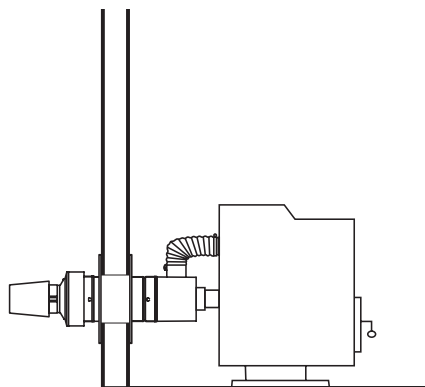
KIT INCLUDES:

- One 3" Pipe Connector, 3VP-PC
- One 3" to 4" Increaser, 3VP-I4
- One 4" Tee with Cap, 4VP-TS
- One Pellet Stove Adapter, 4DT-VPASA
- One Wall Thimble, 4DT-WT
- One 90° Elbow, 4DT-EL90SB
- One Pellet Stove Termination Adapter, 4DT-VPTA
- One Decorative Cone Cap, 4DT-DCC
- One Combustion Air Kit, 4DT-CAK

Description	Part #	SKU #
Up and Out Horizontal Termination Kit*	4DT-VPHKB	1604680

*Kit includes everything but Direct-Temp pipe lengths.

STRAIGHT OUT HORIZONTAL TERMINATION KIT*



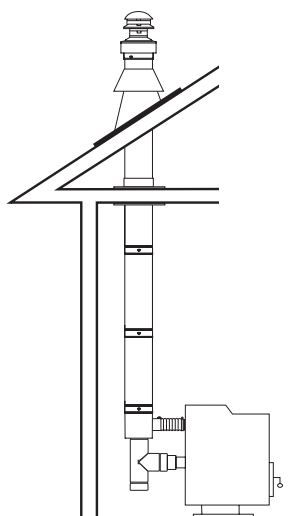
KIT INCLUDES:

- One 3" Pipe Connector, 3VP-PC
- One 3" to 4" Increaser, 3VP-I4
- One Pellet Stove Adapter, 4DT-VPASA
- One Wall Thimble, 4DT-WT
- One Pellet Stove Termination Adapter, 4DT-VPTA
- One Decorative Cone Cap, 4DT-DCC
- One Combustion Air Kit, 4DT-CAK

Description	Part #	SKU #
Straight Out Horizontal Termination Kit*	4DT-VPHKA	1604682

*Kit includes everything but Direct-Temp pipe lengths.

THROUGH-THE-ROOF VERTICAL TERMINATION KIT*



KIT INCLUDES:

- One 3" Pipe Connector, 3VP-PC
- One 3" to 4" Increaser, 3VP-I4
- One 4" Tee with Cap, 4VP-TS
- One Pellet Stove Adapter, 4DT-VPASA
- One Ceiling Support, 4DT-CS
- One Trim Plate, 4DT-TP
- One Roof Flashing, 4DT-AF6
- One Storm Collar, 4DT-SC
- One Pellet Stove Termination Adapter, 4DT-VPTA
- One Vertical Cap, 4VP-VC
- One Combustion Air Kit, 4DT-CAK

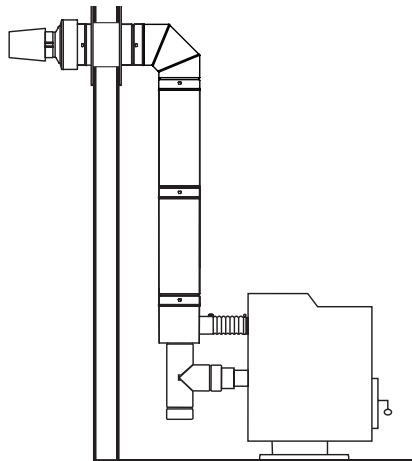
Description	Part #	SKU #
Through-the-Roof Vertical Termination Kit*	4DT-VPVK	1604681

*Kit includes everything but Direct-Temp pipe lengths.

UPP PELLET TERMINATION KITS

Ultimate Pellet Pipe common termination kits. Pipe lengths not included.

UP & OUT HORIZONTAL TERMINATION KIT*



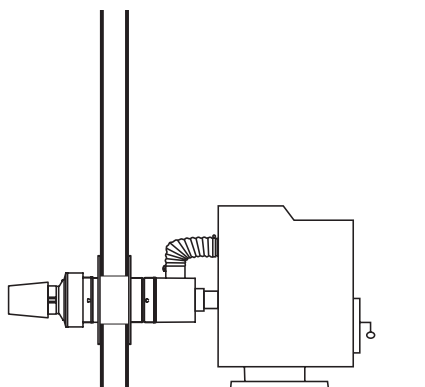
KIT INCLUDES:

- One 4DT-CAK Combustion Air Kit
- One 4DT-WT Wall Thimble (Black)
- One 4DT-VPTA –Termination Adapter
- One 4DT-EL90 – 90 Degree Elbow
- One 4UPP-3T – UPP Increaser Tee & Cap (3" to 4")
- One 3UPP-AA – UPP Appliance Adapter (3")
- One 4UPP-45E – Pellet Elbow
- One 4UPP-45T – Pellet Horizontal Termination Screen

Description	Part #	Sku #
Up and Out Horizontal Termination Kit*	4DT-UPPHKB	824053

*Kit includes everything but Direct–Temp pipe lengths.

STRAIGHT OUT HORIZONTAL TERMINATION KIT*



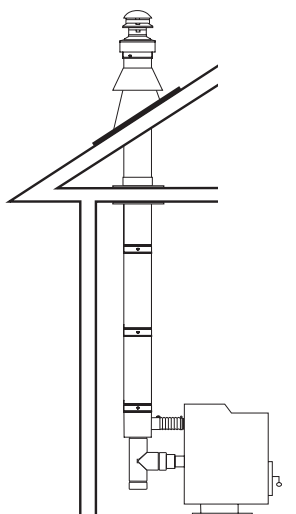
KIT INCLUDES:

- One 4DT-CAK Combustion Air Kit
- One 4DT-WT Wall Thimble (Black)
- One 4DT-VPTA Termination Adapter
- One 3UPP-I4 3-4" Increaser
- One 4UPP-DTA Direct Temp Adapter
- One 3UPP-AA Pellet Appliance Adapter
- One 4UPP-AA Pellet Appliance Adapter
- One 4UPP-45E – Pellet Elbow
- One 4UPP-45T – Pellet Horizontal Termination Screen

Description	Part #	Sku #
Straight Out Horizontal Termination Kit*	4DT-UPPHKA	824051

*Kit includes everything but Direct–Temp pipe lengths.

THROUGH-THE-ROOF VERTICAL TERMINATION KIT*



KIT INCLUDES:

- One 4UPP-DTA Pellet Adapter
- One 4DT-TP Trim Plate
- One 4DT-CAK Combustion Air Kit
- One 4DT-SC Storm Collar
- One 4UPP-VC Vertical Termination Cap
- One 4DT-CS Ceiling Support
- One 4DT-VPTA Termination Adapter
- One 4DT-AF6 Adjustable Flashing (0/12 to 6/12)
- One 3UPP-AA UPP Appliance Adapter (3")
- One 4UPP-3T UPP Increaser Tee and Cap

Description	Part #	Sku #
Through-the-Roof Vertical Termination Kit*	4DT-UPPVK	824052

*Kit includes everything but Direct–Temp pipe lengths.

Multi-Fuel System



CORN, WHEAT and
other BIO-FUELS

Direct-Temp / Multi-Fuel (DT-M) Appliance Venting Solution

Direct-Temp / Multi-Fuel (DT-M) is a unique venting system designed to address the problem of highly corrosive flue gases produced by burning corn or other bio-fuels.

- Converts any conventional corn-burning or multi-fuel stove into a Direct Vent system.
- DT-M 3 x 5 and 4 x 7 systems easily connect to 3" or 4" flue outlets.
- Strong positive seal that's able to handle both positive and negative pressure direct venting applications.
- Laser-welded, double-wall system made from the toughest alloys.
- Concentric design eliminates the need for two separate penetrations.

Bio-Fuel Alternatives

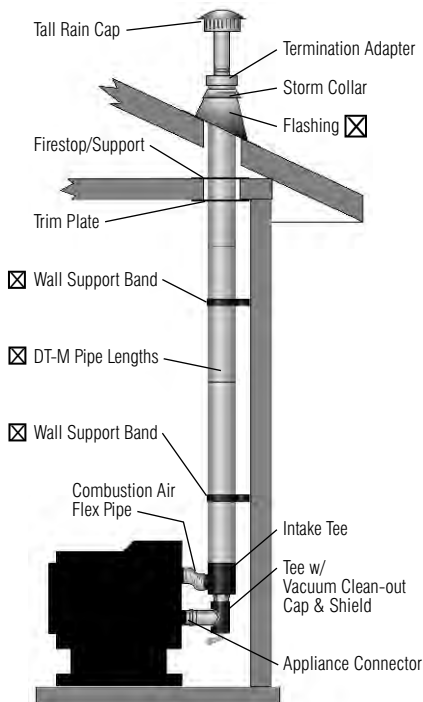
- | | | |
|----------------|------------------------|-----------------------|
| • Corn | • Olive pits | • Processed silage |
| • Hulled wheat | • Cherry pits | • Grass Pellets |
| • Soy beans | • Bio-mass fuel grains | • Waste paper pellets |

Direct-Temp / Multi-Fuel (DT-M) Specifications

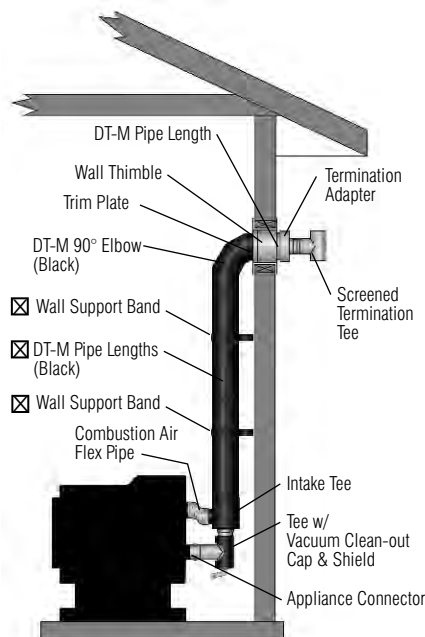
- Inner liner constructed of AL 29-4C Stainless Steel with built-in seal
- Outer jacket constructed of 409 Stainless Steel
- 1" clearance to combustibles
- Available in 3" and 4" diameters
- "Smart Choice" Lifetime Warranty

Typical Installations

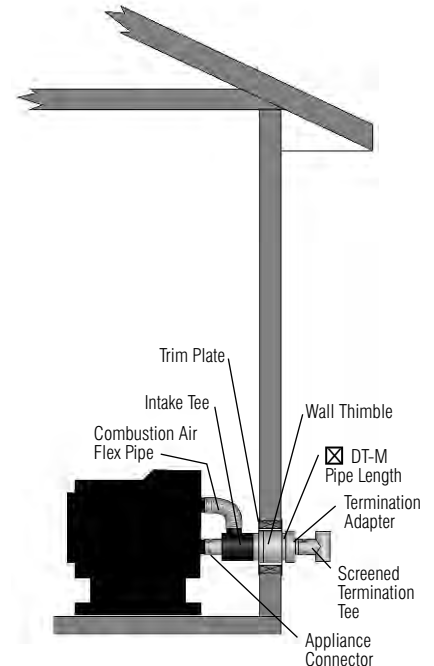
Through-The-Roof Installation



Up & Out Installation



Straight Out Installation

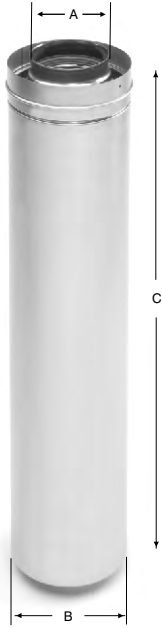


☒ = Items NOT included in Kits

Lengths

Straight Lengths

- Available in 6", 12", 24" and 36" lengths
- Available in 409 SS or black



Size	Length	Dimensions			Installed Length	Part #	Part # (Black)
		A	B	C			
3" x 5"	6"	3"	5"	3.88"	SC03L6	SC03L6B	
4" x 7"	6"	4"	7"	3.88"	SC04L6	SC04L6B	

Size	Length	Dimensions			Part #	Part # (Black)
		A	B	C		
3" x 5"	12"	3"	5"	9.88"	SC03L12	SC03L12B
4" x 7"	12"	4"	7"	9.88"	SC04L12	SC04L12B

Size	Length	Dimensions			Part #	Part # (Black)
		A	B	C		
3" x 5"	24"	3"	5"	21.88"	SC03L24	SC03L24B
4" x 7"	24"	4"	7"	21.88"	SC04L24	SC04L24B

Size	Length	Dimensions			Part #	Part # (Black)
		A	B	C		
3" x 5"	36"	3"	5"	35.38"	SC03L36	SC03L36B
4" x 7"	36"	4"	7"	35.38"	SC04L36	SC04L36B

Adjustable Lengths



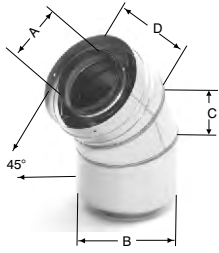
- Used to adjust pipe to a non-standard length
- Adjustable from 12.5" to 19.5"
- Available in 409 SS or black

Size	Length	Dimensions			Installed Length	Part #	Part # (Black)
		A	B	C			
3" x 5"	12.5" to 19.5"	3"	5"	12.5" to 19.5"	SC03AJ	SC03AJB	
4" x 7"	12.5" to 19.5"	4"	7"	12.5" to 19.5"	SC04AJ	SC04AJB	

Direct-Temp® Multi-Fuel Appliance Venting Solution

Elbows and Tees

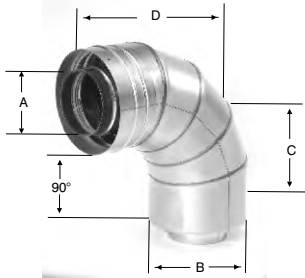
45° Elbow



- Used to achieve offsets or changes in the direction of the vent system
- Degree of these welded seam elbows is not adjustable
- Available in 409 SS or black

Size	Dimensions				Part #	Part # (Black)
	A	B	C	D		
3" x 5"	3"	5"	3.1"	3.7"	SC03E45	SC03E45B
4" x 7"	4"	7"	3.3"	4.3"	SC04E45	SC04E45B

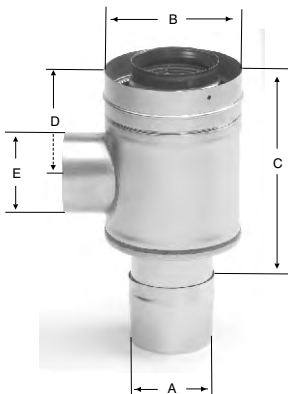
90° Elbow



- Used to achieve offsets or changes in the direction of the vent system
- Degree of these welded seam elbows is not adjustable
- Available in 409 SS or black

Size	Dimensions				Part #	Part # (Black)
	A	B	C	D		
3" x 5"	3"	5"	6.1"	7.0"	SC03E90	SC03E90B
4" x 7"	4"	7"	6.8"	7.75"	SC04E90	SC04E90B

Air Intake Tee



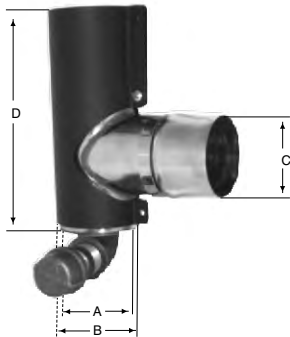
- Allows outside combustion air to be directed to the pellet stove and vents the flue gases to the outside
- Can be installed horizontally or vertically when connected to a Tee with Cleanout
- Available in 409 SS or black

Size	Dimensions					Part #	Part # (Black)
	A	B	C	D	E		
3" x 5"	3"	5"	9"	4.0"	3"	SC03TAD3	SC03TAD3B
4" x 7"	4"	7"	10"	4.6"	3"	SC04TAD3	SC04TAD3B

Direct-Temp® Multi-Fuel Appliance Venting Solution

Elbows and Tees

Tee w/Vacuum Cleanout Cap & Shield

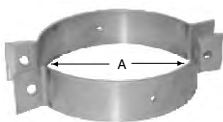


- Used to change the orientation of the vent from horizontal to vertical
- Allows any ash to be removed via a vacuum

Size	Dimensions				Part #	Part # (Black)
	A	B	C	D		
3" x 5"	3"	3.5"	3"	6.3"	N/A	9316DTMB
3' to 4"	4"	4.5"	3"	6.3"	N/A	9416DTM3B
4" x 7"	4"	4.5"	4"	7.3"	N/A	9416DTMB

Supports

304 Support Clamps



- Used with horizontal systems to provide support at the required 6-foot intervals
- Support clamps by themselves do not maintain the necessary clearances to combustible materials: be sure to consider clearances when planning the system
- Support clamps are sold in pairs to clamp around the vent and suspend from single rod or cable, or used singularly as a saddle to rest the vent in

Size	Dimensions	Part #	Part # (Black)
	A		
3" DT-M	5"	4527SS	N/A
4" DT-M	7"	4727SS	N/A

1" Clearance Support Clamps

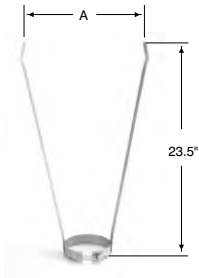


- Provides support to the DT-M system and establishes the required 1" clearance to combustible materials
- Secured in place via worm gear clamps

Size	Dimensions	Part #	Part # (Black)
	A		
3" DT-M	5"	SC03SUP1	N/A
4" DT-M	7"	SC04SUP1	N/A

Supports

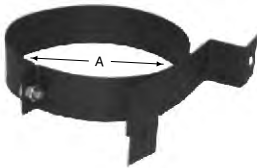
Vertical Support Leg



- Used to provide vertical support
- 20 gauge stainless steel support legs can be used below or above the roof

Size	Dimensions	Part #	Part # (Black)
	A		
3" DT-M	5"	SC03VSL	N/A
4" DT-M	7"	SC04VSL	N/A

1" Clearance Wall Support Band



- Provides vertical or horizontal support for the DT-M system
- Provides the required minimum clearance to combustibles and is intended to be installed in locations where it would be visible

Size	Dimensions	Part #	Part # black
	A		
3" DT-M	5"	N/A	SC03WB
4" DT-M	7"	N/A	SC04WB

Parts & Accessories

Appliance Connector - Inside Fit

- Inlet end connects to the appliance and the outlet connects to the Pellet Stove Adapter or to the Tee if venting vertically



Size	Dimensions			Part #	Part # (Black)
	A	B	C		
3"	2.9"	3"	4"	9363	N/A
3" to 4"	2.9"	4"	5.3"	9364	N/A
4"	3.9"	4"	4"	9464	N/A

Direct-Temp® Multi-Fuel Appliance Venting Solution

Parts & Accessories

Appliance Connector - Outside Fit



- Inlet end connects to the appliance and the outlet connects to the Pellet Stove Adapter or to the Tee if venting vertically

Size	Dimensions			Part #	Part # (Black)
	A	B	C		
3"	2.9"	3"	4"	9301MOD	N/A

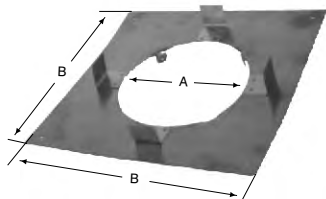
Bixby Appliance Adapter



- Provides for a direct connection between a Bixby Appliance and 3/5 DT-M product

Size	Dimensions	Part #	Part # (Black)
	A		
3/5"	4"	SC03AD08	N/A

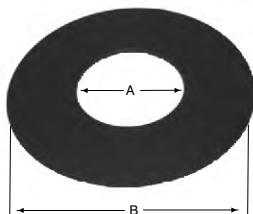
Firestop for 1" Clearance



- Required any time the DT-M vent penetrates a combustible ceiling

Size	Dimensions		Part #	Part # (Black)
	A	B		
3" DT-M	5.06"	9"	SC03AFSP	N/A
4" DT-M	7.06"	11"	SC04AFSP	N/A

Trim Plate



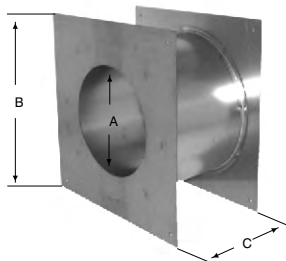
- Used to provide a finished look at the ceiling for vertical installations

Size	Dimensions		Part #	Part # (Black)
	A	B		
3" DT-M	5.13"	12"	SC03TP	N/A
4" DT-M	7.13"	14"	SC04TP	N/A

Direct-Temp® Multi-Fuel Appliance Venting Solution

Parts & Accessories

Wall Thimble

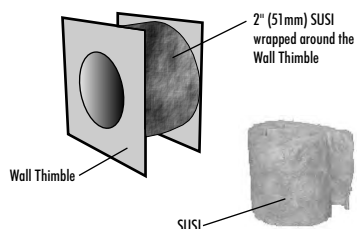


- Used when the vent pipe passes through a wall

Size	Dimensions			Part #	Part # (Black)
	A	B	C		
3" DT-M	5.06"	9"	4.5" to 7"	SC03WT	N/A
4" DT-M	7.06"	11"	4.5" to 7"	SC04WT	N/A

NOTE: add SUSI to this part for increased performance and safety

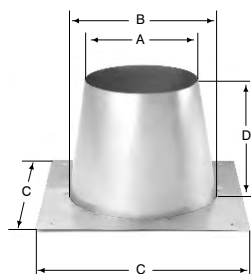
SUSI - Selkirk Universal Shielding Insulation



- Insulation used with Wall Thimble for increased performance and safety

Size	Dimensions	Part #	Part # (Black)
Universal	2" x 12" x 48"	SUSI	N/A

Roof Flashings



- Used to seal the opening where the pipe penetrates the roof
- Must be installed with a Storm Collar (ordered separately)

Size	Dimensions				Roof Pitch	Part #	Part # (Black)
	A	B	C	D			
3" DT-M	5.5"	7.5"	12.5"	6.0"	Flat to 2/12 Pitch	SC03TCF	N/A
3" DT-M	5.5"	7.5"	12.5"	6.0"	2/12 to 6/12 Pitch	SC03TCFA	N/A
3" DT-M	5.5"	7.5"	12.5"	6.0"	6/12 to 12/12 Pitch	SC03TCFB	N/A
4" DT-M	7.5"	9.5"	14.5"	6.0"	Flat to 2/12 Pitch	SC04TCF	N/A
4" DT-M	7.5"	9.5"	14.5"	6.0"	2/12 to 6/12 Pitch	SC04TCFA	N/A
4" DT-M	7.5"	9.5"	14.5"	6.0"	6/12 to 12/12 Pitch	SC04TCFB	N/A

304 Storm Collar



- Used with the Tall Cone Flashing or other roof flashing
- Tighten and apply silicone sealant just above the roof flashing to provide a weather proof seal to the pipe
- Made from Type 304 Stainless Steel

Size	Dimensions	Part #	Part # (Black)
	A		
3" DT-M	5"	4526SS	N/A
4" DT-M	7"	4726SS	N/A

Outside the House Parts

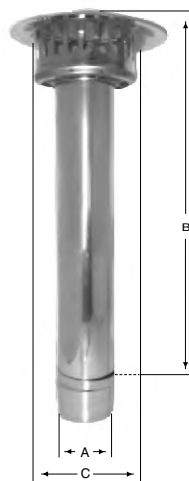
4DT-CAK Combustion Air Kit



- Provides an avenue for combustion air to flow from the Pellet Stove Adapter to the combustion air inlet of the appliance
- Includes 36" length of Aluminum Flex and Hose Clamp

Size	Length	Part #	Part # (Black)
	A		
3"	3'	4DT-CAK	N/A

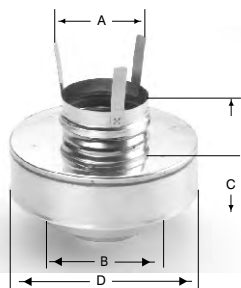
Tall Rain Cap



- Used as a termination for vertical systems
- Prevents rain water from entering the vent
- AL29-4C construction

Size	Dimensions			Part #	Part # (Black)
	A	B	C		
3" DT-M	3"	17.5"	5"	SC03RCX	N/A
4" DT-M	4"	18.3"	7"	SC04RCX	N/A

Termination Adapter

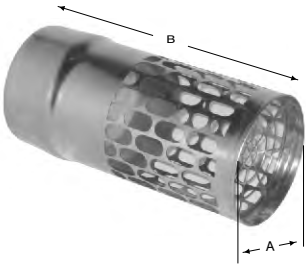


- Attaches to the last length of pipe in a vertical run
- Complete installation with a termination raincap

Size	Dimensions				Part #	Part # (Black)
	A	B	C	D		
3" DT-M	3"	5"	3.8"	7.1"	SC03VT	N/A
4" DT-M	4"	7"	3.8"	9.1"	SC04VT	N/A

Outside the House Parts

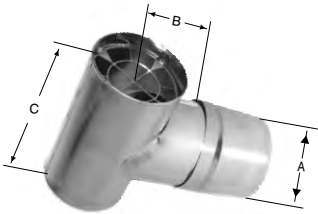
Free Flow Horizontal Termination Cap



- Used as a termination on horizontal systems

Size	Dimensions		Part #	Part # (Black)
	A	B		
3" DT-M	3"	6.25"	9390FFHT	N/A
4" DT-M	4"	7.25"	9490FFHT	N/A

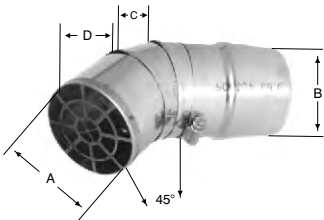
Screened Termination Tee



- Used as a termination on horizontal or vertical systems

Size	Dimensions			Part #	Part # black
	A	B	C		
3" DT-M	3"	5.5"	6"	9390TEE	N/A
4" DT-M	4"	6.0"	7"	9490TEE	N/A

45° Screened Termination Elbow



- Used as a termination on horizontal or vertical systems

Size	Dimensions				Part #	Part # (Black)
	A	B	C	D		
3" DT-M	3"	3.8"	5.3"	6.8"	9311TERM	N/A
4" DT-M	4"	5.3"	6"	8.0"	9411TERM	N/A

90° Screened Termination Elbow



- Used to terminate a horizontal system
- Directs the exhaust down

Size	Dimensions		Part #	Part # (Black)
	A			
3" DT-M	3"		9314TERM	N/A
4" DT-M	4"		9414TERM	N/A

Direct-Temp® Multi-Fuel Appliance Venting Solution

Support Kits

Selkirk has put together 3 DT-M kits to get your project done . . .

We have taken the guess work out of installation by putting the most common parts for each installation all in one box. These 3 kits depict the most common installations. Simply decide which of these scenarios fits your need, then pick up your Direct-Temp lengths and if required the proper roof flashing

Vertical Kit

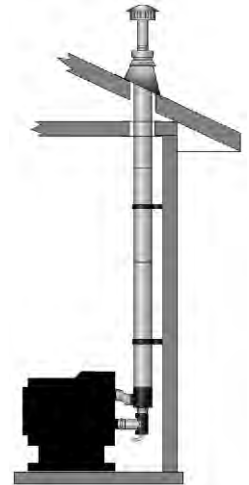
When your chimney goes up through a ceiling, then thru the roof, you'll need the VERTICAL KIT - *DTM-VK which includes:

- Tee with Vacuum Cleanout Cap & Shield
- Air Intake Tee - Black
- Firestop
- Trim Plate
- Appliance Adapter
- 304 Storm Collar
- Termination Adapter
- Tall Rain Cap
- Combustion Air Kit

SIZE	PRODUCT CODE
3"	3DTM-VK
4"	4DTM-VK

Now just add:

DT-M Lengths available in 6", 12", 24" and 36" lengths and the appropriate **Roof Flashing**
Flat-2/12
2/12 - 6/12
6/12 - 12/12



Up & Out Kit

When your chimney goes up and then out the wall you'll need the Up & Out KIT - *DTM-UK which includes:

- Tee with Vacuum Cleanout Cap & Shield
- Air Intake Tee - Black
- 90° Elbow - Black
- Trim Plate
- Wall Thimble
- Appliance Adapter
- Termination Adapter
- Screened Termination Tee
- Combustion Air Kit

SIZE	PRODUCT CODE
3"	3DTM-UK
4"	4DTM-UK

Now just add:

DT-M Lengths available in 6", 12", 24" and 36" lengths



Horizontal Kit

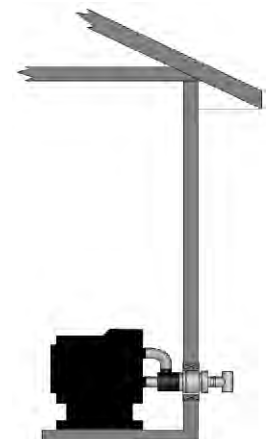
When your chimney goes straight out the wall you'll need the HORIZONTAL KIT - *DTM-HK which includes:

- Air Intake Tee - Black
- Trim Plate
- Wall Thimble
- Appliance Adapter
- Termination Adapter
- Screened Termination Tee
- Combustion Air Kit

SIZE	PRODUCT CODE
3"	3DTM-HK
4"	4DTM-HK

Now just add:

DT-M Lengths available in 6", 12", 24" and 36" lengths



HEARTH Products

Chimney:

- Ultra-Temp
- Ultra-Temp Large
- Galva-Temp
- Galva-Temp Large

Venting:

- Direct-Temp/Gas
- Direct-Temp/Pellet
- Direct-Temp/Multi-Fuel
- Double Wall Stove Pipe
- Saf-T Pipe
- Ultimate Pellet Pipe
- Flexi-Liner
- Versa-Liner
- Saf-T Liner

All Venting Products Are Not Created Equal.



**UltimateONE
Chimney**



**Double Wall
Stove Pipe**



Direct-Vent



**Aluminum
Chimney Liners**



**Stainless Steel
Chimney Liners**



**Ultimate
Pellet Pipe**



RESIDENTIAL AND COMMERCIAL: VENT | CHIMNEY | GRILLES | REGISTERS | DIFFUSERS

United States
5030 Corporate Exchange Blvd.
Grand Rapids, MI 49512

1.800.992.VENT (8368)
info@selkirkcorp.com



selkirkcorp.com

Canada
375 Green Road
Stoney Creek, ON L8E 4A5

1.888.SELKIRK (735.5475)
cscanada@selkirkcorp.com