

Superior
FIREPLACES®
Our name is our promise.



The DRT4200 Series of direct vent gas fireplaces is the epitome of luxurious value. This charming fireplace series comes standard with multiple premium features including gorgeous high-definition logs, interior lighting, and ceramic glass. Off or on, the DRT4200 Series fireplaces will retain their warm appeal every season of the year.



FEATURED DRT4245 fireplace shown with Greystone Fiber Liners and interior illumination feature

EXCLUSIVE FEATURES

- 🔥 Available in 40" and 45" models
- 🔥 Full-size 21" deep models offer a larger fireplace interior and log arrangement
- 🔥 40" models combo top/rear flue configuration; 45" models dedicated top flue configuration
- 🔥 Electronic ignition w/ seamless battery backup provides continued operation in the event of a power outage (IPI/CPI switch standard).
- 🔥 Outstanding heating efficiency for increased comfort and lower operating costs
- 🔥 Ceramic glass for optimum heat transfer and a protective screen*
- 🔥 Beautifully crafted high-definition ceramic fiber log set with heavy-duty grate
- 🔥 Interior selections consist of black reflective porcelain or a variety of ceramic fiber liners (required)
- 🔥 Mood enhancing interior illumination with six distinctive settings
- 🔥 Factory installed blower with six speed settings to fine tune your heating needs
- 🔥 Full-function remote control included (IPI/CPI, thermostat, flame height, blower, lighting)
- 🔥 Durable textured powder coat finish
- 🔥 20 year limited warranty

*All applicable models comply with ANSI Z21.50/88 barrier requirements.

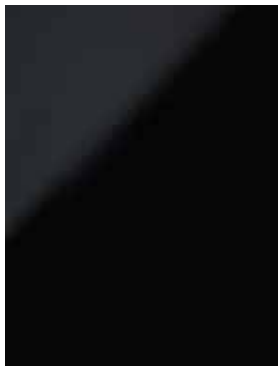


FEATURED DRT4245 Ceramic Fiber Log Set and Greystone Fiber Liner

INTERIOR

(One required)

Choose from four distinctive liners to complement your décor.



Porcelain Liner Kit (Black)



Blackstone



Greystone

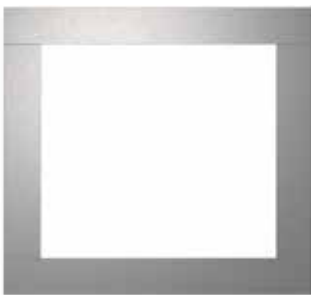


Blended Brown

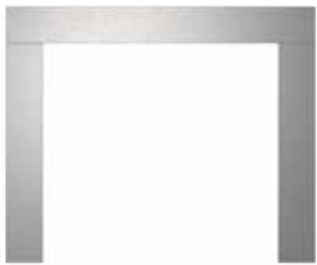
DECORATIVE FACE SURROUNDS

(Optional)

Give your fireplace a truly modern finish with a stainless steel decorative face surround kit.



STAINLESS SURROUND
Four-Sided



STAINLESS SURROUND
Three-Sided

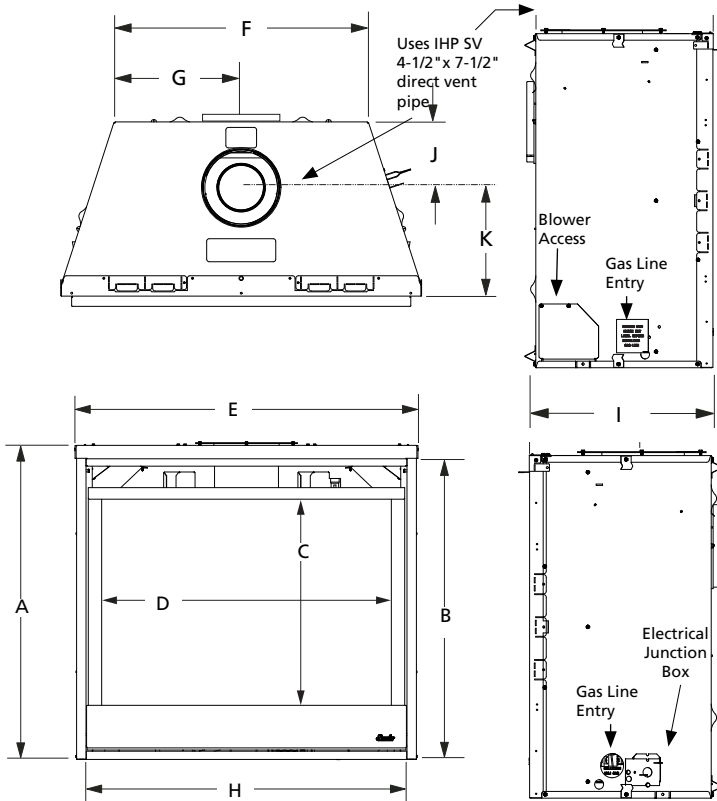
REMOTE (INCLUDED)

- Manual On/Off and Smart Thermostat Modes
- 6 Flame Modulation Settings
- 6 Blower Control Settings
- 6 Interior Illumination Settings

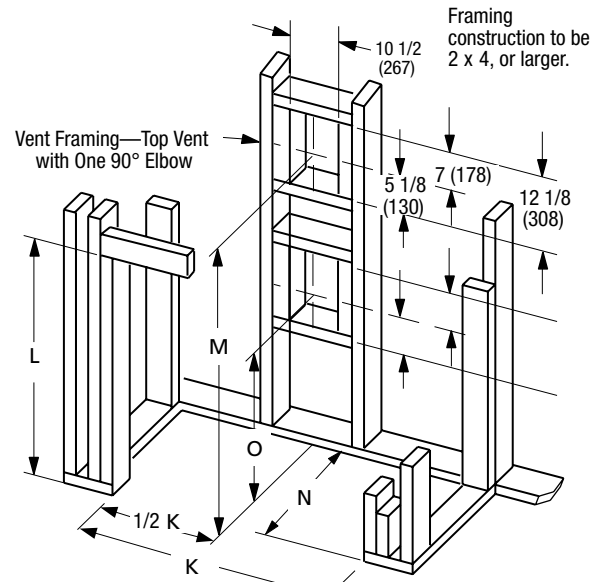


ProFlame II Remote

APPLIANCE SPECIFICATIONS



FLAT WALL FRAMING SPECIFICATIONS



	DRT4240	DRT4245
K	40-7/8"	45-7/8"
L	41-1/4"*	41-1/4"*
M	43-3/4"	55-3/4"
N	23"	23"
O	28-1/4"	N/A

* Includes 4" for fold-up standoffs

FIREPLACE EFFICIENCIES — Listed to ANSI Z21.88 as a gas fireplace heater

MODEL	FUEL	BTU/HR	AFUE**	P4 / ENERGYGUIDE*
DRT4240	NG	36,000-24,000	61.1%	62.4%
DRT4240	LP	31,000-21,000	61.6%	62.9%
DRT4245	NG	42,000-25,000	65.9%	62.7%
DRT4245	LP	41,000-22,000	61.1%	62.4%

*Intermittent ignition systems.

**Annual Fuel Utilization Efficiency (AFUE) is the recognized U.S. rating system for the total efficiency of heating products.

	DRT4240	DRT4245
A	37-1/8"	37-1/8"
B	34-5/8"	34-5/8"
C*	24-1/2"	24-1/2"
D*	34-1/4"	39-1/4"
E	40-1/4"	45-1/4"
F	30"	35"
G	15"	17-1/2"
H	37-7/8"	42-7/8"
I	21"	21"
J	6-7/8"	6-7/8"

*Glass viewing area dimensions

On the Cover: DRT4245 shown with Blackstone Ceramic Fiber Liner

IMPORTANT NOTES:

As with any fireplace, this appliance is extremely hot during operation. Read and understand all operating instructions before using this appliance. For further information, consult your dealer.

Local conditions, such as elevation, wind, vent configuration and choice of fuel will affect overall appearance of the fire and heating performance. Performance can also vary with home design and insulation, climate, condition and type of fuel used, appliance location, burn rate, accessories chosen, chimney installation and how the appliance is operated.

Diagrams, illustrations and photographs are not to scale—consult installation instructions. Product designs, materials, dimensions, specifications, colors and prices are subject to change or discontinuance without notice.



© 2020 Innovative Hearth Products

785732M 01/20

