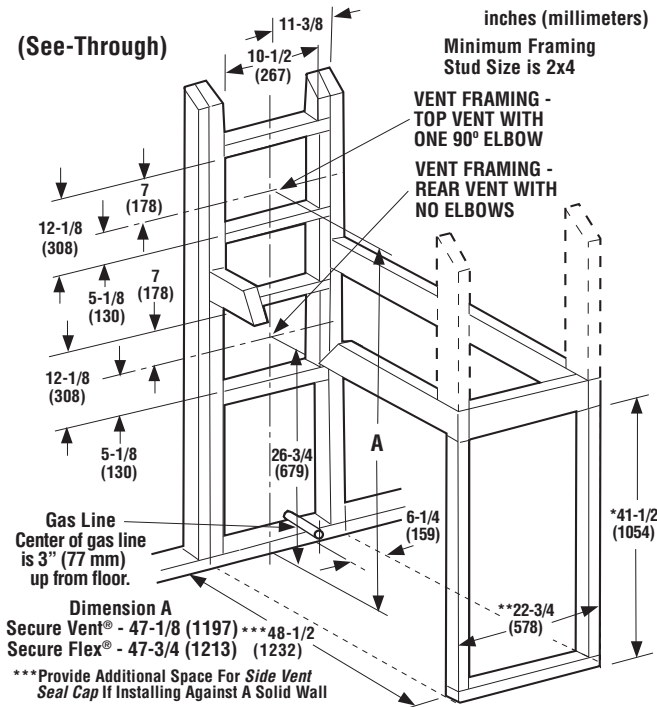


# DRT40ST

## DIRECT-VENT FIREPLACES

Framing Dimensions

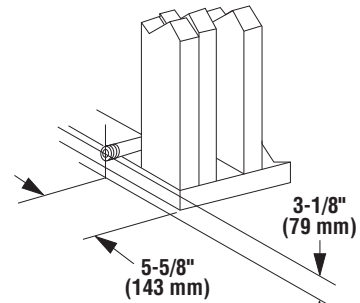


**Dimension A**  
 Secure Vent® - 47-1/8 (1197) \*\*\*48-1/2  
 Secure Flex® - 47-3/4 (1213) (1232)

\*\*\*Provide Additional Space For *Side Vent Seal Cap* If Installing Against A Solid Wall

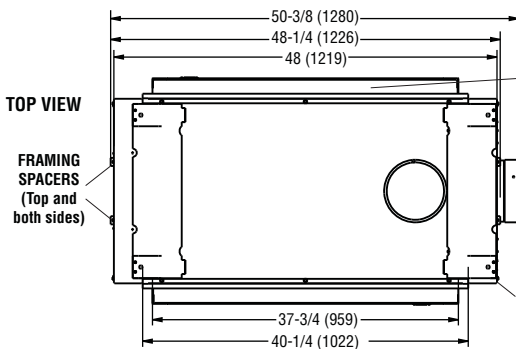
\*\*This dimension based on 5/8" drywall.  
 For 1/2" drywall use 23".

\*This dimension can be reduced to 41" (1042 mm). This results in 0" (0 mm) clearance between framing and unit framing spacers. (The 41-1/2" dimension permits easier fireplace installation, if unit is installed after framing is erected).



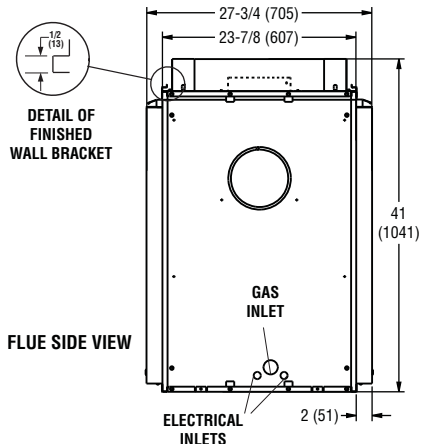
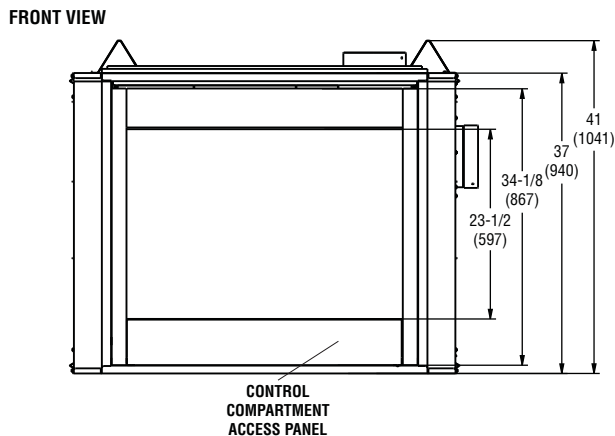
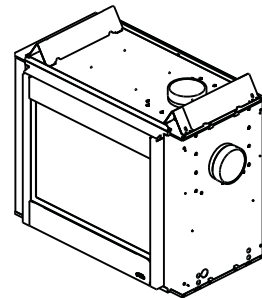
Route a 1/2" (13 mm) gas line to the right side of the appliance as shown

Fireplace Dimensions



**FINISHED WALL BRACKET**  
 (Front and back edge of unit top)

**NOTE:** Unit has a factory-installed vent seal cap and vent cover plate in each flue outlet. The vent seal cap is not shown in this figure.



Inches (millimeters)

# DRT40ST

Product Info

Product Reference Information			
Cat. No.	Model	Shipping Weight	Shipping Volume
F2270	DRT40STDMN	291 lbs.	42.0 cu.ft.
F2271	DRT40STDMP	291 lbs.	42.0 cu.ft.
F2272	DRT40STDEN	291 lbs.	42.0 cu.ft.

Listing

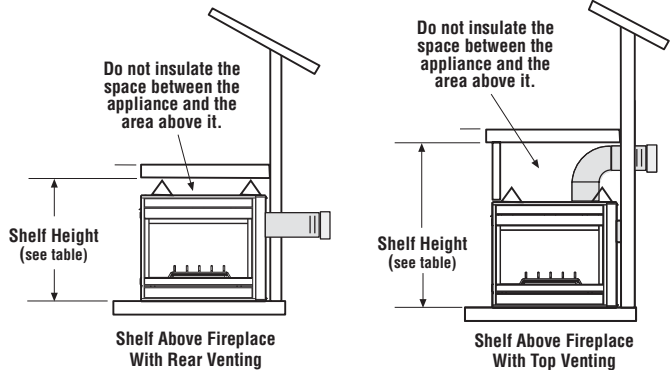


Report No. 14-171

These appliances comply with National Safety Standards and are tested and listed by PFS to ANSI Z21.88 (in Canada, CSA-2.33), and CAN/CGA-2.17-M91, latest editions, in both USA and Canada, as vented gas fireplace heaters.

Shelf Height

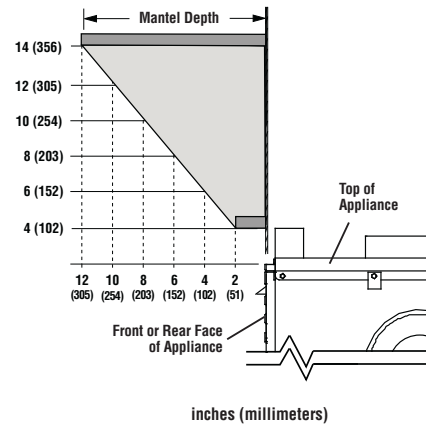
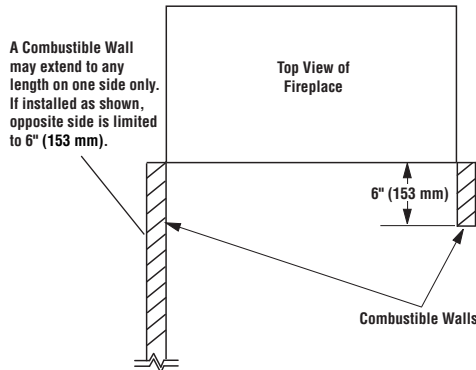
Model	Combustible Shelf Height - Inches (millimeters)			
	Rear Vent - Straight Out the Back		Top Vent - with One 90° Elbow	
	Secure Vent®	Secure Flex®	Secure Vent	Secure Flex
DRT40ST	41-1/8 (1045)	41-1/8 (1045)	53-7/8 (1368)	55-5/8 (1413)



Clearances

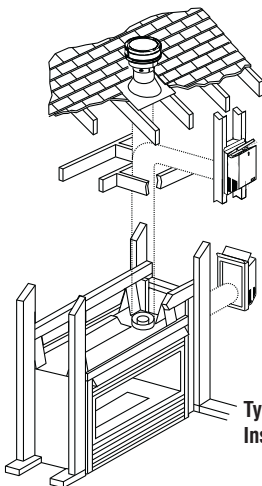
Minimum Clearances Inches (millimeters)	
Back & Sides	1/2 (13) 0 (0) from Spacers or Dimples
Top Spacers	0 (0)
Floor	0 (0)
From Bottom of Unit To Ceiling	64 (1626)
Vent	3 (77) Top* / 1 (26) Sides & Bottom
Service Clearances - Feet (meters)	
Front, Back & Sides	3 feet (0.9 meters)

A Combustible Wall may extend to any length on one side only. If installed as shown, opposite side is limited to 6" (153 mm).



\*NOTE: 3" (77 mm) above any horizontal/ inclined vent component.

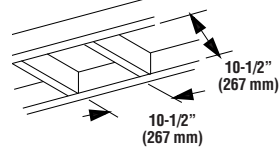
Venting



Vertical Termination Cap SV4.5CGV-1 (rated for high winds and freezing conditions)

\* Ceiling Firestop/Spacer (SV4.5VF)

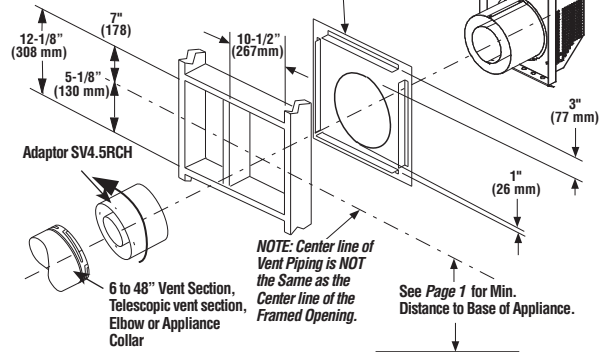
Ceiling Framing



Uses 4.5" / 7.5" Secure Vent® Rigid and Secure Flex® Direct-Vent Components

Square Horizontal Termination (SV4.5HT-2)

To help minimize water infiltration it is recommended that the Firestop/Spacer (SV4.5HF) be installed on the exterior side of the wall.



NOTE: DIAGRAMS & ILLUSTRATIONS NOT TO SCALE.

Printed in U.S.A. © 2016 Innovative Hearth Products  
P/N 900661-04 REV. NC 04/2016



Specifications and clearances are subject to change without notice. Refer to Installation Manual before installation of these appliances for updated dimensions and instructions.

Page 2 of 2