

DRT35PF SERIES

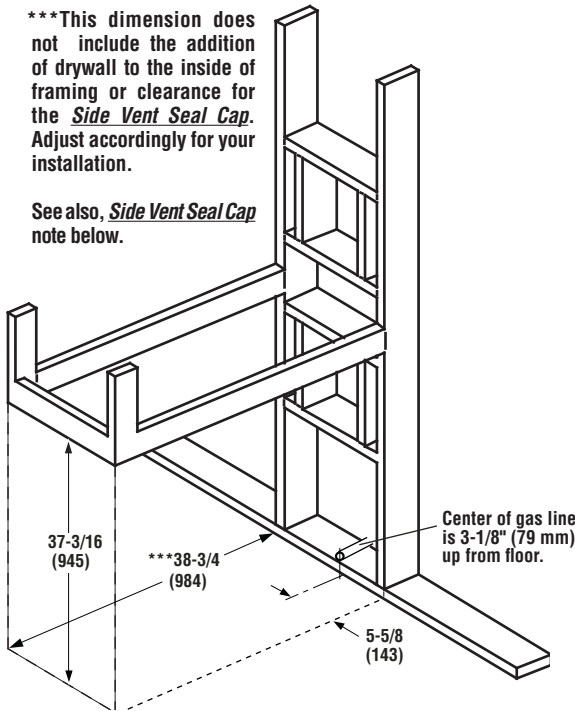
DIRECT-VENT PENINSULA FIREPLACES

Fireplace Framing Specifications

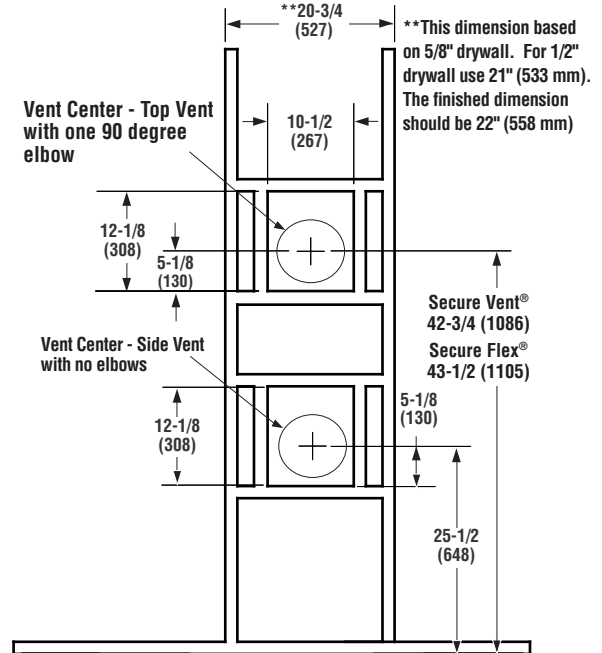
Framing Dimensions

***This dimension does not include the addition of drywall to the inside of framing or clearance for the *Side Vent Seal Cap*. Adjust accordingly for your installation.

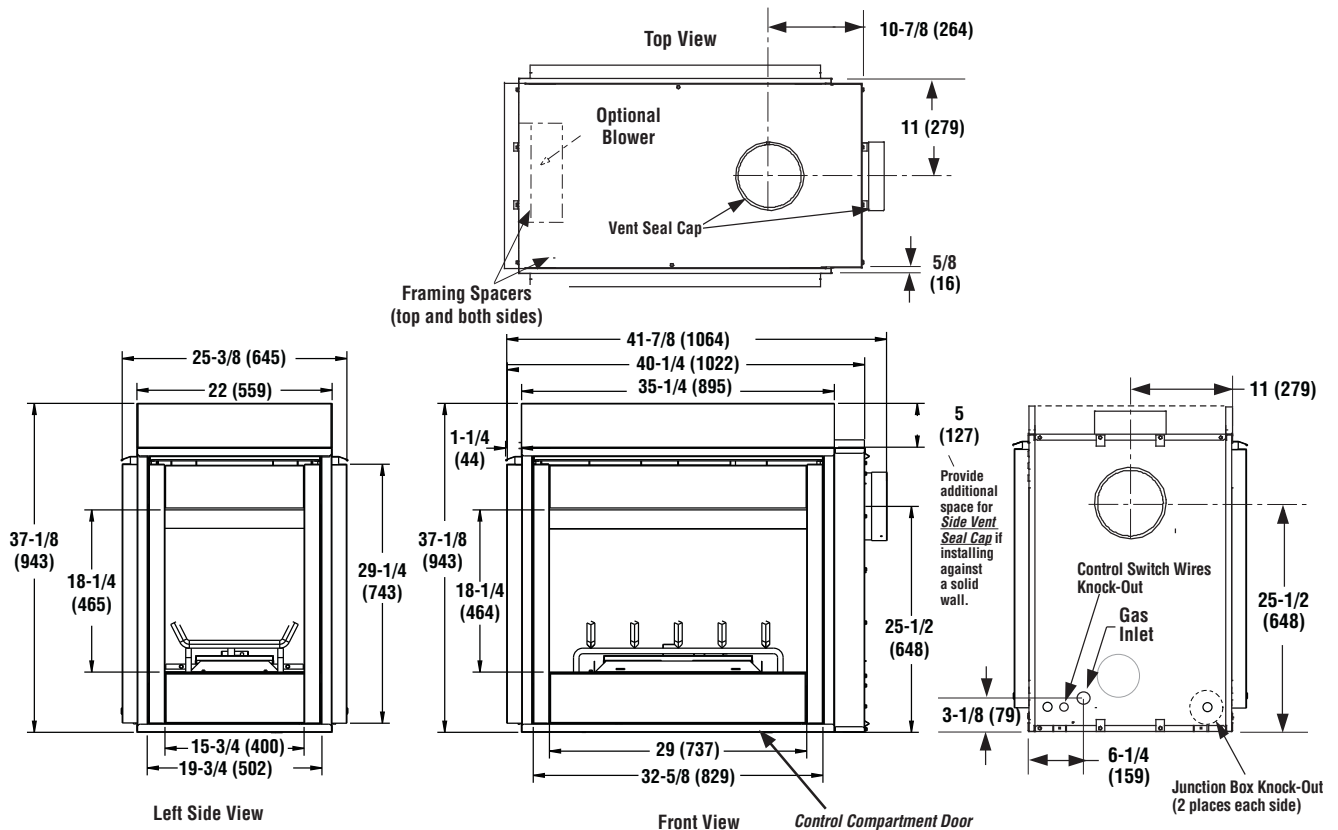
See also, *Side Vent Seal Cap* note below.



- Notes:
- Inches (millimeters)
 - Minimum Framing Stud Size is 2 x 4
 - See side views of fireplace below for gas line inlet location options.



Fireplace Dimensions



DRT35PF SERIES

Product Info

Product Reference Information			
Cat. No.	Model	Shipping Weight	Shipping Volume
F1408	DRT35PFDMN	220 lbs.	30.0 cu.ft.
F1409	DRT35PFDMN	220 lbs.	30.0 cu.ft.
F1410	DRT35PFDEN	220 lbs.	30.0 cu.ft.

Listing



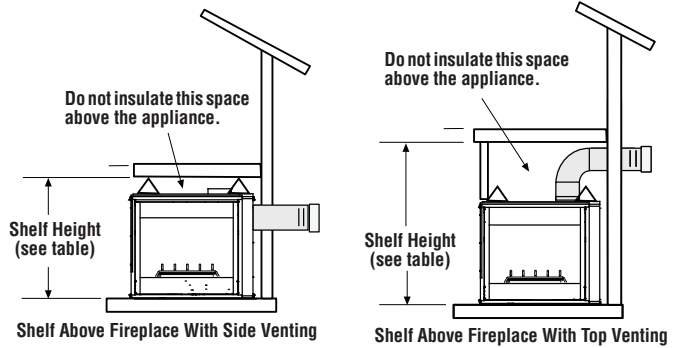
Report No. F14-165

These appliances comply with National Safety Standards and are tested and listed by PFS to ANSI Z21.88 (in Canada, CSA-2.33), and CAN/CGA-2.17-M91, latest editions, in both USA and Canada, as vented gas fireplace heaters.

Shelf Height

Model No.	Shelf Height - Inches (millimeter)		
	Side Vent - Straight Out Back	Top Vent - with One 90 Degree Elbow	
	Secure Vent® & Secure Flex®	Secure Vent	Secure Flex
DRT35PF	37-1/4 (947)	49-1/2 (1258)*	51-1/4 (1302)*

* Includes 3" clearance to combustibles (required above vent components)



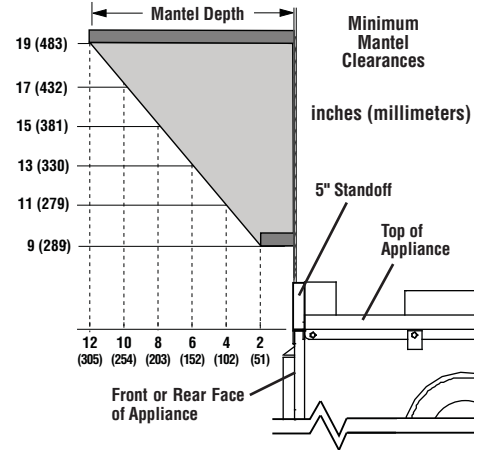
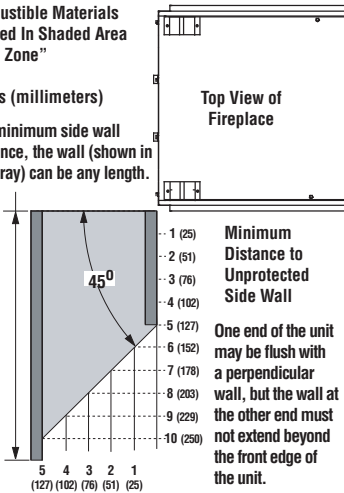
Clearances

Minimum Clearances Inches (millimeters)	
Sides	1/2 (13) 0 (0) from Spacers or Dimples
Top of Appliance	5 (127)
Floor	0 (0)
From Bottom of Unit To Ceiling	72 (1829)
Vent	3 (77) Top* / 1 (26) Sides & Bottom
Service Clearances - Feet (meters)	
Front, Back & Sides	3 feet (0.9 meters)

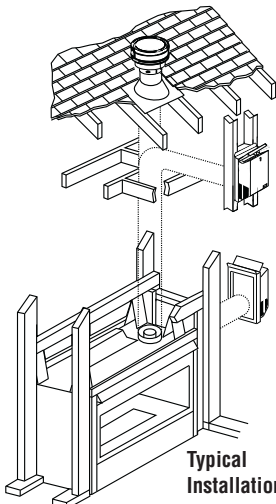
*NOTE: 3" (77 mm) above any horizontal/ inclined vent component.

Combustible Materials Allowed In Shaded Area "Safe Zone"

Inches (millimeters)
At 5° minimum side wall clearance, the wall (shown in dark gray) can be any length.



Venting



NOTE: DIAGRAMS & ILLUSTRATIONS NOT TO SCALE.

