

**Superior**  
FIREPLACES®  
*Our name is our promise.*



The DRL4543 direct vent gas fireplace is a versatile linear design for a dramatic appearance. The large viewing area provides an uninterrupted display of the active flame pattern. Available in indoor or indoor/outdoor see through configurations, the DRL4543 provides endless possibilities for any modern living area.



**FEATURED** DRL4543 shown with Amber Glass Media, and See Through Conversion

## EXCLUSIVE FEATURES

- 🔥 43" front open linear configuration

---

- 🔥 See through conversion kits available to transform the fireplace into a see through model or indoor/outdoor see through model

---

- 🔥 Gas controls are conveniently hidden in the fireplace floor

---

- 🔥 Electronic ignition with battery backup to operate in the event of a power outage

---

- 🔥 Active, dancing flames help to accentuate the ambiance in any room

---

- 🔥 Seven flame settings for precise heat control

---

- 🔥 Clean-face design features ceramic glass for optimum heat transfer and a protective screen\*

---

- 🔥 Three-piece black porcelain interior liners

---

- 🔥 Mood enhancing fireplace interior lighting, with six distinctive illumination settings

---

- 🔥 Optional decorative face trim in three designer options

---

- 🔥 Deluxe remote control (Flame, lighting, IPI/CPI)

---

- 🔥 Now uses IHP SV4.5 vent pipe

---

- 🔥 20 year limited warranty

---




Remote included

\*All applicable models comply with ANSI Z21.50/88 barrier requirements.



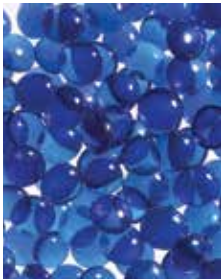
FEATURED DRL4543 shown with Amber Glass Media

**GLASS MEDIA (Required)**

Choose from Blue, Amber, Green, or Speckled Orange to complement your décor (Clear Glass Media comes standard).



Clear (standard)



Blue



Amber



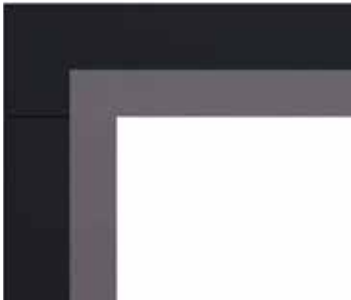
Green



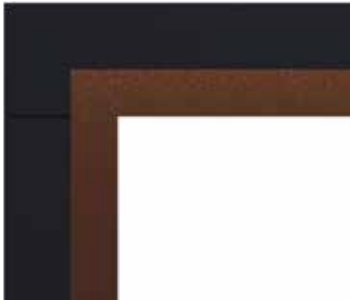
Speckled Orange

**DECORATIVE FACE TRIM (Optional)**

Choose from three decorative face trims to customize your décor.



Aged Silver



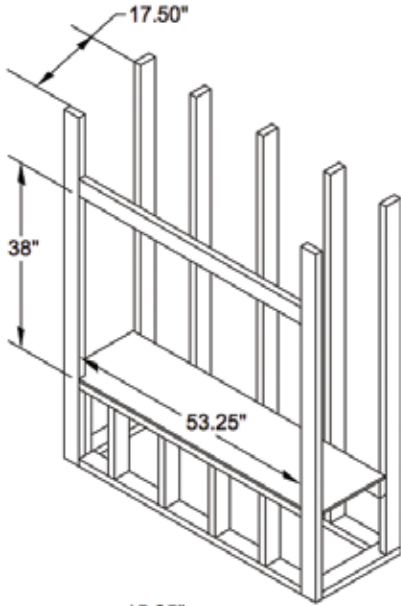
Aged Copper



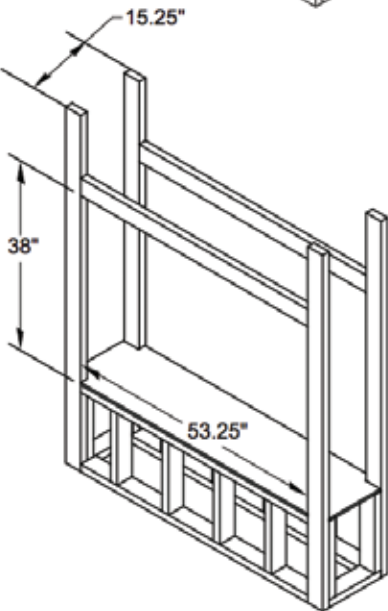
Black

## FLAT WALL FRAMING SPECIFICATIONS

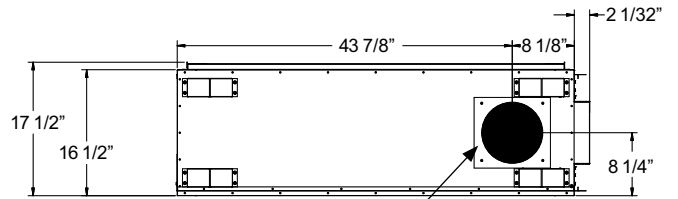
ONE SIDED APPLICATION



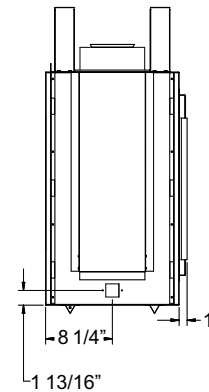
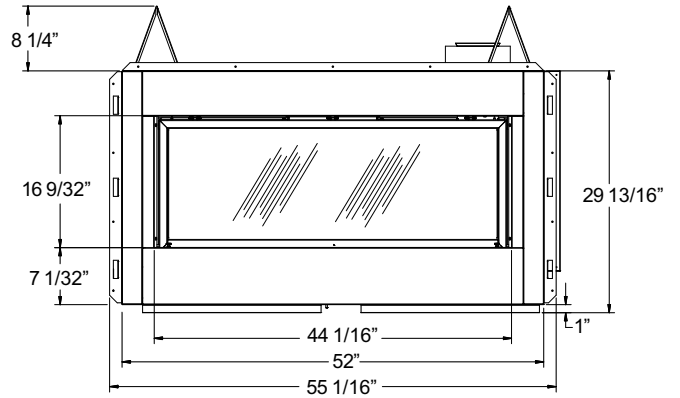
SEE-THROUGH APPLICATION



## APPLIANCE SPECIFICATIONS



Uses IHP Secure Vent 4.5 components (4.5" ID/ 7.5" OD)



## FIREPLACE EFFICIENCIES — Listed to ANSI Z21.50 as a decorative gas appliance.

MODEL	FUEL	BTU/HR	AFUE*
DRL4543	NG	22,000-35,000	45.91%
DRL4543	LP	24,000-33,000	42.15%

\*Annual Fuel Utilization Efficiency (AFUE) is the recognized U.S. rating system for the total efficiency of heating products.

**On the cover:** DRL4543 shown with Black Reflective Porcelain Liner and Amber Glass Media

### IMPORTANT NOTES:

As with any fireplace, this appliance is extremely hot during operation. Read and understand all operating instructions before using this appliance. For further information, consult your dealer.

Local conditions, such as elevation, wind, vent configuration and choice of fuel will affect overall appearance of the fire and heating performance. Performance can also vary with home design and insulation, climate, condition and type of fuel used, appliance location, burn rate, accessories chosen, chimney installation and how the appliance is operated.

Diagrams, illustrations and photographs are not to scale—consult installation instructions. Product designs, materials, dimensions, specifications, colors and prices are subject to change or discontinuance without notice.

**Superior**  
FIREPLACES®

© 2019 Innovative Hearth Products

785625M 10/19

**PFS**  
C Report #F11-026 US

