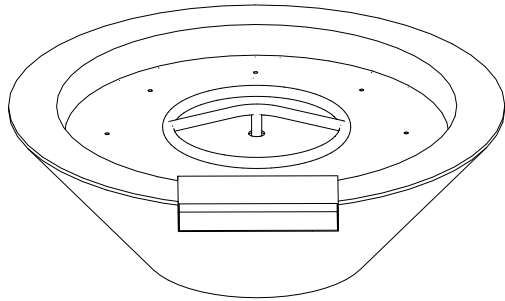
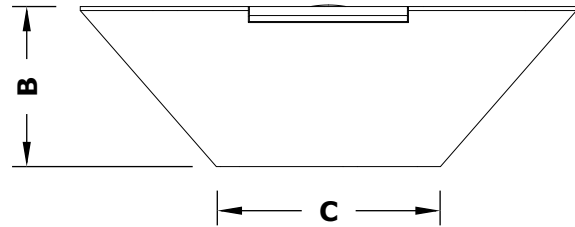


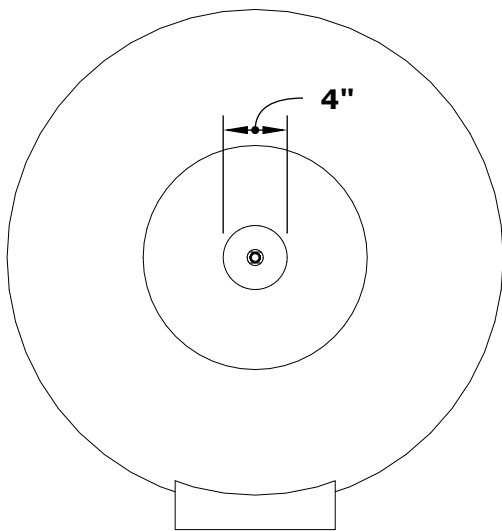
CAZO FIRE & WATER BOWL- GFRC CONCRETE



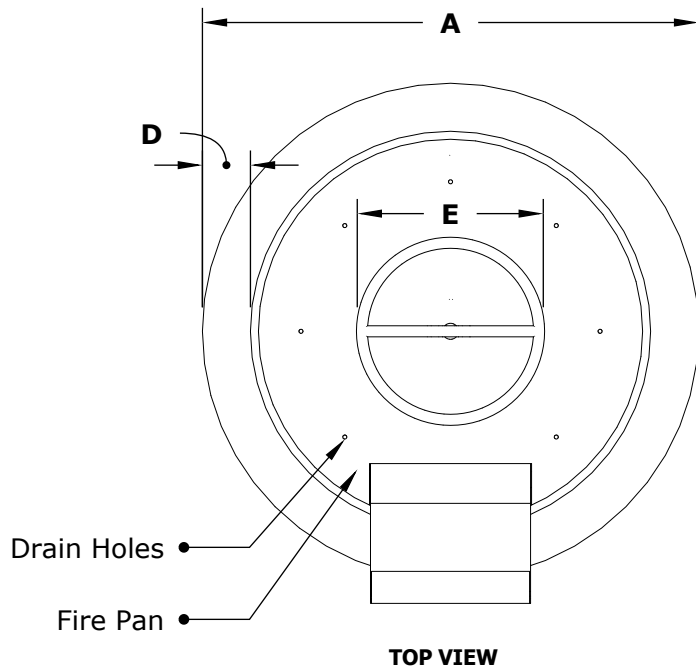
ISOMETRIC VIEW



FRONT SIDE VIEW



RIGHT SIDE VIEW



TOP VIEW

SKU	A	B	C	D	E	BTU
OPT-24RFWM	24"	9"	9"	2"	8" Single Ring	45,000
OPT-31RFWM	31"	10"	10"	3"	12" Single Ring	65,000
OPT-36RFWM	36"	12"	14"	3"	12" Single Ring	65,000
OPT-48RFWM	48"	16"	20"	2.5"	18" Double Ring	160,000
OPT-24RFWE12V	24"	9"	9"	2"	8" Single Ring	45,000
OPT-31RFWE12V	31"	10"	10"	3"	12" Single Ring	65,000
OPT-36RFWE12V	36"	12"	14"	3"	12" Single Ring	65,000
OPT-48RFWE12V	48"	16"	20"	2.5"	18" Double Ring	160,000

Bowl Material: GFRC Concrete
 Finish: Smooth Finish
 Pan Material: 304 Stainless Steel
 Burner Material: 304 Stainless Steel

12V ELECTRONIC IGNITION
 ANSI Z21.97-(2017) / CSA 2.41-(2017)



Match Lit Unit Includes: Pan, Burner, Gas Orifice, SS Whistle Free Hose (1/2")

12V Ignition Unit Includes: Pan, Burner, Gas Orifice, SS Whistle Free Hose (1/2"), Electronic Valve, Pilot Igniter.