

Broil King®

OWNER'S MANUAL

FOR USE WITH NATURAL GAS



ANSI Z21.58-2015 / CSA 1.6-2015

CONTENTS

SAFETY	2
INSTALLATION	2
NATURAL GAS	3
GAS SUPPLY HOSE	3
VENTURI TUBES	4
LEAK TESTING	5
LIGHTING	6
OPERATION	7
COOKING TECHNIQUES	7
MAINTENANCE	10
TROUBLESHOOTING	11
WARRANTY	12
GUIDE DU PROPRIÉTAIRE DE BARBECUE AU GAZ	13
MANUAL DEL USUARIO DE PARRILLA A GAS	25

NOTE TO INSTALLER: THESE INSTRUCTIONS MUST BE LEFT WITH THE CONSUMER.



DANGER

IF YOU SMELL GAS:

1. SHUT OFF GAS TO THE APPLIANCE
2. EXTINGUISH ANY OPEN FLAME
3. OPEN LID
4. IF ODOR CONTINUES, KEEP AWAY FROM THE APPLIANCE AND IMMEDIATELY CALL YOUR GAS SUPPLIER OR YOUR FIRE DEPARTMENT



WARNING

1. DO NOT STORE OR USE GASOLINE OR OTHER FLAMMABLE LIQUIDS OR VAPORS IN THE VICINITY OF THIS APPLIANCE

PLEASE RECORD YOUR MODEL NUMBER, SERIAL NUMBER AND DATE OF PURCHASE HERE.

This information can be found on the black and silver OMC caution sticker on the back or side of your gas grill.

Model Number

Serial Number

Date of Purchase

dd

mm

yyyy

**READ ALL INSTRUCTIONS CAREFULLY BEFORE OPERATING YOUR GAS GRILL.
RETAIN THESE INSTRUCTIONS FOR FUTURE REFERENCE.**

Onward
MANUFACTURING COMPANY

585 KUMPF DRIVE
WATERLOO, ONTARIO, CANADA
N2V 1K3

SINCE 1906

LIMITED

20094-40NG REV D 04/17

SAFETY

Your new OMC gas grill is a safe, convenient appliance when assembled and used properly. As with all gas-fired products, however, certain safeguards must be observed. **Failure to follow these safeguards may result in serious injury or damage.** If you have questions concerning assembly or operation, consult your dealer, gas appliance specialist, Gas Company or our direct customer service line at 1-800-265-2150. / info@omcbbq.com

CAUTION

- **FOR OUTDOOR USE ONLY.**
- **THIS APPLIANCE MUST NOT BE OPERATED UNATTENDED.**
- **SPECIAL CARE MUST BE TAKEN TO KEEP SMALL CHILDREN AWAY FROM HEATED SURFACES.**

Use caution when handling or transporting this product. Metal edges can be hazardous. Use appropriate gloves when lifting or handling. Before lifting, remove side shelves, grids and grates.

ELECTRICAL CAUTION

1. If any accessory is used on this appliance that requires an external electrical power source, the accessory when installed must be electrically grounded in accordance with local codes. In the absence of local codes, the following standards apply:
(U.S.A.) ANSI/NFPA No. 70-Latest Edition and (Canada) CSA C22.1 Canadian Electrical Code
2. Do not cut or remove the grounding prong from the plug.
3. Keep the electrical supply cord and fuel supply hose away from any heated surface.

PROPOSITION 65 WARNING

Handling the brass material on this product exposes you to lead, a chemical known to the state of California to cause cancer, birth defects or other reproductive harm. **WASH YOUR HANDS AFTER HANDLING THIS PRODUCT.**

WARNING

Fuels used in gas or oil-fired appliances, and the products of combustion of such fuels, contain chemicals known to the State of California to cause cancer, birth defects or other reproductive harm. "This warning is issued pursuant to California Health and Safety Code Sec. 25249.6"

INSTALLATION

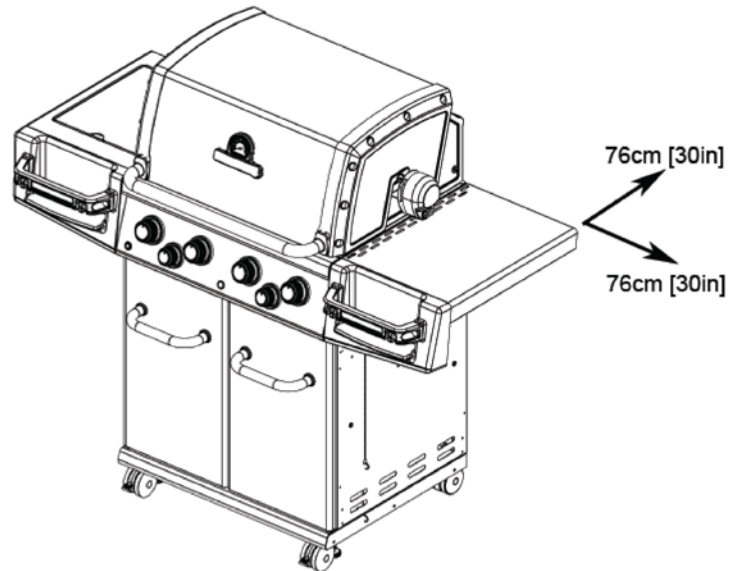
1. In the U.S.A., this appliance must be installed in accordance with the local code and the relevant national code:

ANSI Z223.1/NFPA 54 - Latest Edition National Fuel Gas Code and Latest Local Codes where Applicable

2. In Canada, this appliance must be installed in accordance with the local code and the relevant CSA standards:

CSA-B149.1 Natural Gas and Propane installation Code

3. The appliance must be located away from combustible surfaces by at least 76cm / 30" from each side, and 76cm / 30" from the rear.



4. Do **not** operate this appliance under any overhead roof construction or foliage.
5. This appliance is for **OUTDOOR USE ONLY, DO NOT** operate in garage, shed, balcony or other such enclosed areas.
6. **DO NOT** restrict the flow of air to the appliance.
7. Keep the area surrounding the appliance free of combustible materials, gasoline, and all flammable liquids and vapors.
8. This appliance is not intended to be installed in, or on, recreational vehicles and/or boats.

NATURAL GAS

1. This barbecue is designed for use with natural gas. Do not use with liquid propane (bottled gas). The valves, orifices, and hoses are for natural gas only.
2. Do not use with charcoal.
3. A shut off valve must be used on the gas supply piping system.
4. When the appliance is not in use, turn off the natural gas supply at the shut off valve.
5. The appliance is designed to operate at a regulated pressure of 7 inches water column (W.C.).

STORAGE

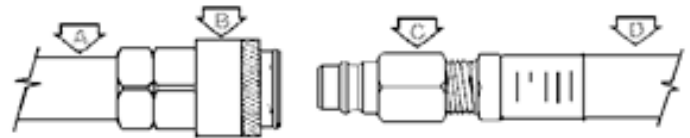
1. The gas must be turned off at the natural gas supply when the barbecue is not in use.
2. When the barbecue is stored indoors, the gas supply must be disconnected.

GAS SUPPLY TESTING

1. The outdoor gas grill and its individual shutoff valve must be disconnected from the gas supply piping system during any pressure testing of that system at test pressures in excess of 1/2 psig (3.5kPa).
2. The outdoor gas grill must be isolated from the gas supply piping system by closing its individual manual shut off valve during any pressure testing of the gas supply piping system at test pressures equal to or less than 1/2 psig (3.5kPa).

GAS SUPPLY HOSE

1. On models supplied with an extension hose, the hose assembly is specifically designed for your model. No modifications or additions should be attempted. Hose and hose couplings comply with CGA Standard CAN 1.83.
2. On models equipped with the "quick disconnect" coupling, close "shut off valve" before disconnecting coupling.
3. "Quick disconnect" coupling must be kept clean and free of dirt and debris.
4. Protect the hose from dripping grease and do not allow the hose to touch any hot surface, including the base casting of the barbecue.
5. Inspect the hose at least once per year. If the hose is cracked, cut, abraded or damaged, the appliance must not be used.
6. For replacement of hose assembly, contact your dealer or approved service centre.



- A. GAS SUPPLY PIPING
- B. QUICK DISCONNECT COUPLING
- C. ADAPTER FITTING
- D. EXTENSION HOSE ASSEMBLY

VENTURI TUBES

Always keep venturi tubes clean. Blockages in the venturi tubes caused by spiders, insects and nests can cause a flashback fire. In fact, although the gas grill may still light, the backed up gas can ignite and cause a fire around the venturi tubes at the control panel or the side burner.



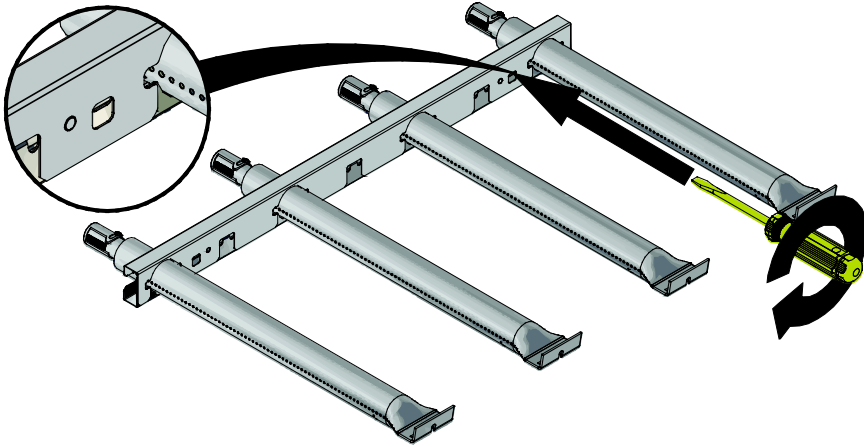
VENTURI TUBE SPIDER WEB TUBE BURNER
If a flashback fire occurs, turn off gas at the source immediately

Inspect and clean the venturi tubes (main burner, side burner, rear burner) if any of the following symptoms occur:

1. You smell gas.
2. Your gas grill does not reach temperature.
3. Your gas grill heats unevenly.
4. The burners make popping noises.

INSPECTING & CLEANING VENTURI TUBES

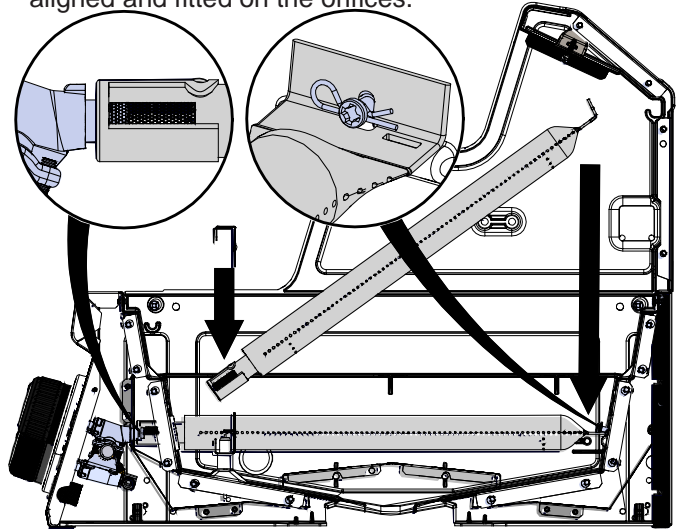
1. Turn off gas by closing the propane cylinder valve
2. When gas grill is cool, remove the burner fasteners and the top portion of the collector box. Proceed to lift the burners from the gas grill housing.



3. Clean the venturi tubes with a pipe cleaner or venturi cleaning tool (Accessory #77310 or #18270).



4. Lower the burner into position in the gas grill housing, making sure that the venturi tubes are correctly aligned and fitted on the orifices.



5. Secure burners with burner fasteners. Snap top portion of collector box back in place

LEAK TESTING

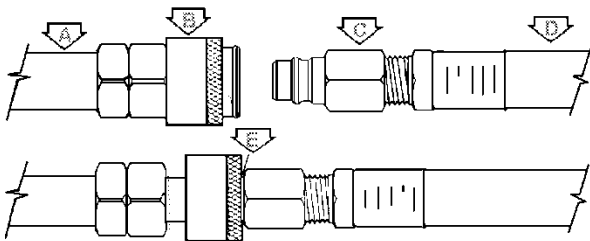
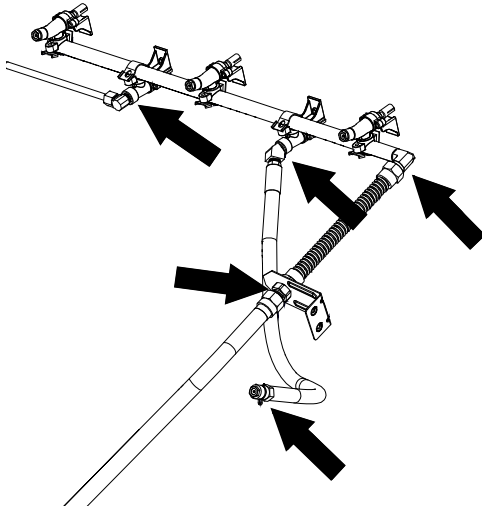
All factory-made connections have been rigorously tested for gas leaks. However, shipping and handling may have loosened a gas fitting.

AS A SAFETY PRECAUTION:

- Test all fittings for leaks before using your gas grill.
- Test for leaks every time you disconnect and reconnect a gas fitting, at least once per year or after any period of nonuse.
- Do not smoke at any time while testing.
- Never test for leaks with a lit match or open flame.
- Test for leaks outdoors.

TO TEST FOR LEAKS:

1. Extinguish any open flame or cigarettes in the area.
2. Be sure that the gas supply and gas grill valves are "OFF."
3. Prepare a soap solution of one part water, one part liquid detergent.
4. Open gas shut off valve
5. Brush the soap solution on each connection.



- A. GAS SUPPLY PIPING
- B. QUICK DISCONNECT COUPLING
- C. ADAPTER FITTING
- D. EXTENSION HOSE ASSEMBLY
- E. LEAK TEST HERE

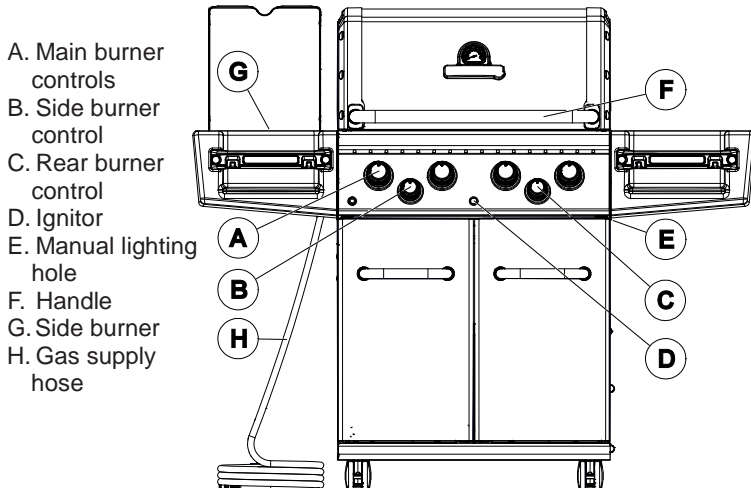
6. A leak is identified by a flow of bubbles from the area of the leak.
7. If a leak is detected, close the gas cylinder "shut-off" valve, tighten the connection and retest.
8. If the leak persists, contact your gas grill dealer for assistance. Do not attempt to operate appliance if a leak is present.

If your gas grill is equipped with a side burner or rear burner:

1. Follow steps 1 - 5 above
2. Place fingertip over the opening in the orifice at the end of hose.
3. Turn "SIDE"/"REAR" control to "HIGH."
4. Brush soap solution on each connection between orifice and control valve.
5. Turn "SIDE"/"REAR" control to "OFF".

LIGHTING

BASIC GAS GRILL COMPONENTS



LIGHTING INSTRUCTIONS

1. The appliance must be assembled as per the assembly instructions.
2. Check that your gas supply is properly connected to the grill.
3. Ensure there are no gas leaks in the gas supply system. See: "Leak Testing." (Page 5)
4. Ensure that the venturi tubes are properly located over the gas valve orifices. See Venturi diagram. (Page 4)
5. Ensure that both Main Burner and Side Burner ignition wires are connected.
6. Carefully review all instructions on the information plate attached to the gas grill.
7. **WARNING: Always open lid before lighting and do not lean over gas grill while lighting.**
8. Set control knobs to "OFF" and turn on the gas supply.

LIGHTING THE MAIN BURNER:

- a. Open gas grill lid and leave open until lit.
- b. Check that the battery has been installed in the electronic ignition.
- c. Push and turn one main burner control knob to "HIGH."
- d. Push and hold down the ignitor button or use match to light.
- e. Burner should ignite within 5 seconds; turn off gas source immediately if ignition does not occur in this timeframe. To light burner with a match proceed below to step f.
- f. Insert lit match through lighting hole located at the bottom right of the cook box.
- g. Push and turn right main burner control knob to "HIGH."
- h. Burner should ignite within 5 seconds.
- i. After the first burner is lit, push and turn the adjacent main burner control knob to "HIGH" then repeat for other burners; these burners should light automatically without the ignitor.

Note: In windy conditions, ignite each burner individually. Use the match holder to lower a lit match to light each burner.

LIGHTING THE SIDE BURNER:

- a. Push and turn side burner control knob to "HIGH."
- b. Push and hold the ignitor button.
- c. Burner should ignite within 5 seconds. **To light burner with a match** proceed below to step d.
- d. Apply lit match to burner ports.
- e. Push in the side burner control knob and turn to "HIGH."
- f. Burner should ignite within 5 seconds.

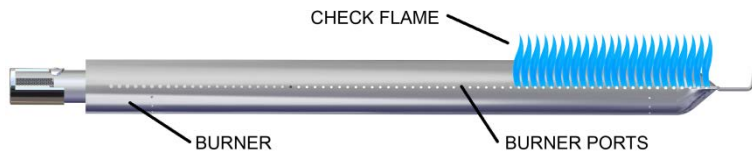
Note: Pots on the side burner must not exceed 9" (23 cm) in diameter or 15 lbs. (7 kg) in weight.

LIGHTING THE REAR ROTISSERIE BURNER:

Warning: do not operate the main burner simultaneously with the rear burner.

- a. **REMOVE THE WARMING RACK.**
- b. Push and turn rear burner control knob to "HIGH."
- c. Push and hold the ignitor button.
- d. Burner should ignite within 5 seconds. To light burner with a match proceed below to step f.
- e. Apply lit match to burner ports.
- f. Push in the rear burner control knob and turn to "HIGH."
- g. Burner should ignite within 5 seconds.

CAUTION: Check your gas grill after lighting. All burner ports should show a 2.5cm / 1" flame on "HIGH."



If any of the following symptoms occur there is probably a blockage in the venturi tubes. Shut off gas at once and clean the venturi tubes. See "Venturi Tubes." (Page 4)

1. You smell gas.
2. A flashback fire occurs.
3. Your gas grill heats unevenly.
4. The burners make popping noises.

IF BURNER DOES NOT IGNITE:

1. Push and turn control knob to "OFF." Wait 5 minutes then try again with control knob set at "MEDIUM."
2. If any burner will not light, see "Troubleshooting" on page 10. If problem persists, do not attempt to operate the appliance; contact OMC, your dealer or an approved service center.

SHUTDOWN:

1. Turn off gas supply.
2. Turn control knobs to "OFF."

OPERATION

⚠ WARNING

NEVER cover slots, holes, or passages in the oven bottom or cover an entire rack with material such as aluminum foil. Doing so blocks air flow through the oven and may cause carbon monoxide poisoning.

Aluminum foil linings may trap heat causing a fire hazard.

First Time Use: Before cooking on your gas grill for the first time, burn it off to rid it of any odors or foreign matter in the following manner:

1. With cooking grids installed in position, light the gas grill following lighting instructions (see Page 10) and operate the gas grill on **"HIGH"** for **10-15 minutes**. Next, turn gas source off then turn all control knobs to the **"OFF"** position.
2. When gas grill is cool, thoroughly season cooking grids by spraying or wiping olive or vegetable oil on them. Ensure that the entire surface is generously coated including the corners. For cast iron cooking grids, light seasoning should be done before every usage.
3. You are ready to grill. Proceed to "Preheating."

Preheating: Preheat the gas grill on MEDIUM/HIGH with the lid closed for ten minutes. Reduce heat as appropriate for what you are grilling. Firmly but carefully scrub grids with a wire grill brush. Next, brush or spray the grids with vegetable or olive oil to prevent food from sticking.

Lid Position: The position of the lid during cooking is a matter of personal preference, but the gas grill cooks faster, uses less fuel, and controls the temperature best with the lid closed. A closed lid also imparts a smokier flavor to meat cooked directly on the grid, and is essential for smoking and convection cooking.

Vaporization Systems: Your gas grill is designed for use with the included Flav-R-Wave™ vaporization system. Do not use lava rock, ceramic briquettes or any other vaporization system other than the one that came with the gas grill.

COOKING TEMPERATURES

High Setting: Produces temperatures at the cooking grid of approximately 600 - 650°F (320 - 340° C). Use this setting only for fast warm-up or for burning food residue from the cooking grids after cooking. This setting is also ideal for quickly searing steaks before reducing the temperature. Rarely, if ever, do you use the HIGH setting for extended cooking.

Medium/High: Produces temperatures at the cooking grid of approximately 550°F (290 ° C). Use this setting for warm-up and for grilling steaks and chops.

Medium: Produces temperatures inside the gas grill of approximately 450° F (230°C) with the lid down. Use this setting for most grilling of chicken, burgers and vegetables as well as for roasting and baking.

Low: Produces temperatures inside the gas grill of approximately 310- 350° F (155-175° C). Use this setting for all smoke cooking, large cuts of meat, delicate fish and for dough and pastry such as quesadillas.

These temperatures are approximate only and vary with the outside temperature and the amount of wind.

COOKING TECHNIQUES

DIRECT GRILLING

The direct grilling method involves cooking the food on grids directly over a lit burner. Direct grilling is the most popular method for most single serving items such as steaks, chops, fish, burgers, kebabs and vegetables.

1. Prepare food in advance to avoid delay and timing problems. If using marinade or spices, they should be applied before placing meat on the cooking grid. If basting with sauces, they should be applied in the last 2-4 minutes of grilling to avoid burning.
2. Organize the area around the gas grill to include forks, tongs, oven mitts, sauces and seasonings to allow you to stay in the vicinity of the gas grill while cooking.
3. Bring meat to room temperature just prior to grilling. Trim excess fat from meat to minimize the "flare-ups" that are caused by dripping grease.
4. Pre-heat the gas grill to the desired temperature with the lid closed.
5. Coat the grids with vegetable or olive oil to prevent food from sticking to the grids.
6. Hold the salt when cooking meats on the gas grill. The meat will stay juicier if the salt is added after cooking.
7. To prevent steaks from "drying out," use tongs rather than a fork and start on "MEDIUM/HIGH" to sear the meat and seal juices in. Reduce the heat and extend cooking times when grilling thicker cuts of meat.
8. Learn to test when the meat is done by time and feel. Meat firms up as it cooks. When the meat is soft it is rare. When it is firm, it is well done.
9. Follow the perfect steak grilling guide for most meat, fish, poultry and vegetables.

THE PERFECT STEAK GRILLING GUIDE

PLACE STEAK ON ANGLE ON HOT GRIDS.

FLIP THE STEAK AS SHOWN BELOW.

TURN AND FLIP THE STEAK AGAIN.

FINALLY, FLIP THE STEAK AGAIN.

Meat Thickness		Heat Setting	Time Per Side				Total Time
			A	B	C	D	
1½"	1"	High	1¾	1¾	1¾	1¾	7 minutes
	Rare	Med/High	2	2	2	2	8 minutes
Medium/Rare	Medium	Med/High	2¼	2¼	2¼	2¼	9 minutes
Medium	Well	Med	2½	2½	2½	2½	10 minutes
Well		Med	3	3	3	3	12 minutes

COOKING TECHNIQUES

DIRECT GRILLING GUIDE				
	1" THICK	HEAT SETTING	TIME PER SIDE	TOTAL MINUTES
CHICKEN	MED / WELL	MED / LOW	4 / 4 / 4 / 4	16
CHICKEN WINGS	MED / WELL	MED / LOW	5 / 5 / 5 / 5	20
HAMBURGER	MEDIUM	MED / LOW	3 / 3 / 3 / 3	12
HAMBURGERS 3/4" FROZEN	MEDIUM	MED / LOW	3 / 3 / 3 / 3	12
FISH FILLET	MEDIUM	MEDIUM	2 / 2 / 2 / 2	8 - 10
LOBSTER TAILS SPLIT	MEDIUM	MEDIUM	4 / 4 / 4 / 4	16 - 20
USE SAME TECHNIQUE AS THE PERFECT STEAK GRILLING GUIDE (PAGE 7)				

INDIRECT CONVECTION COOKING

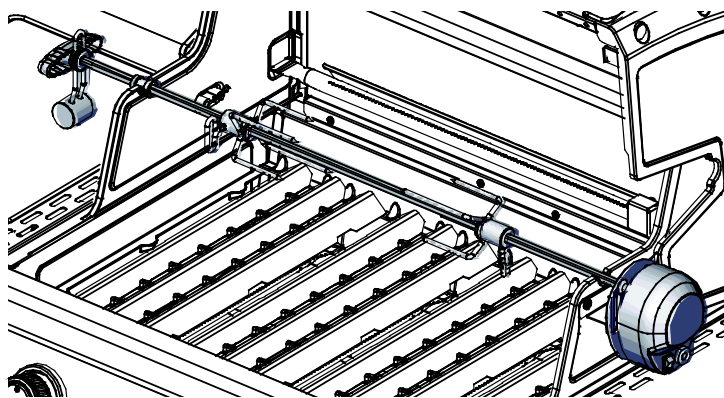
This method is ideal for cooking large cuts of meat such as roasts or poultry. The food is cooked by hot air circulating around it.

- For most applications of convection cooking with and without a rotisserie, a drip pan is recommended to catch the drippings. Place drip pan on top of the Flav-R-Wave, beneath center of food. Put half to one inch of water in the drip pan. Fruit juice, wine or marinade may also be added to enhance the flavor. Do not let the drip pan run dry.
- Convection cooking without a rotisserie is best with the lid closed and the heat reduced. All burners can be set to low or the outside burners can be set to medium and the middle burner(s) can be turned off. Turning the center burner off will prevent juices in the drip pan from burning.
- Prior to placing the meat on the gas grill, baste the meat with vegetable oil. This will enhance browning on the outside of the meat.
- When cooking without a drip pan, close attention must be paid to avoid the risk of a grease fire and is not recommended.
- Turn gas grill off and allow it to cool before removing drip pan. The fat drippings are highly flammable and must be handled carefully to avoid injury.
- For convection cooking roasts and poultry without a rotisserie, put meat in a roasting rack directly on grids.

INDIRECT CONVECTION AND ROTISSERIE COOKING GUIDE			
BEEF ROAST	3 - 6 Lb.	MED / LOW	2 - 4 HRS
BEEF ROAST	6 - 10 Lb.	MED / LOW	3 - 5 HRS
PORK ROAST	2 - 5 Lb.	MED / LOW	2 - 4 HRS
PORK ROAST	6 - 10 Lb.	MED / LOW	3 - 5 HRS
TURKEY OR CHICKEN	2 - 5 Lb.	MED / LOW	2 - 4 HRS
TURKEY OR CHICKEN	5 - 10 Lb.	MED / LOW	3 - 5 HRS
WHEN USING ROTISSERIE BURNER, SET HEAT AT MED / HIGH			

ROTISSERIE COOKING

Follow the steps for Indirect Convection Cooking. (See left)



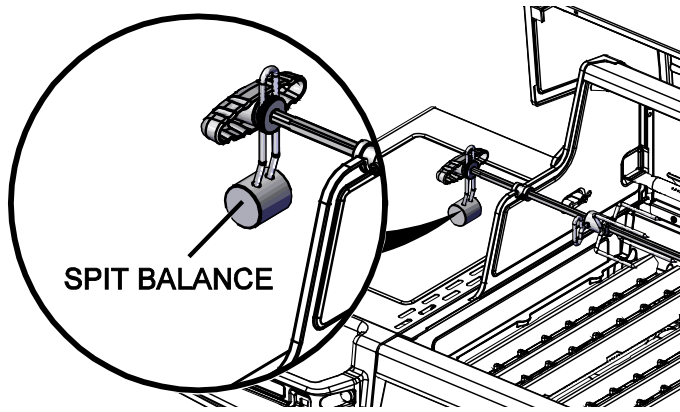
- The rotisserie can accommodate up to 7 kg (15lb) of meat with the limiting factor of rotating clearance. For best results the meat should be centered on the center line of spit to eliminate an out-of-balance condition.
- The rotisserie can be used with the cooking grids in place if space allows.
- Fasten the meat securely on the spit prior to placing it on the gas grill. For poultry, tie the wings and legs in tightly.

REAR BURNER ROTISSERIE

- Certain models feature a rear burner for rotisserie cooking. The rear burner rotisserie method is the ultimate for cooking roasts and poultry. With the heat source located behind the food, there is no chance of a flare up caused by fat drippings. A dish or drip pan placed below the spit will collect the juices for basting or for preparing a sauce.
- The spring loaded rear burner may be easily removed when not in use.
- To operate your rear burner, see "Lighting the Rear Burner." (Page 6)

MEAT TEMPERATURE GUIDE			
	RARE	MED	WELL
BEEF / LAMB / VEAL	130°F / 55°C	146°F / 63°C	160°F / 70°C
PORK		150°F / 65°C	170°F / 77°C
POULTRY			170°F / 77°C
HAMBURGER			160°F / 70°C
FOR BEST RESULTS, USE A MEAT THERMOMETER			

COOKING TECHNIQUES

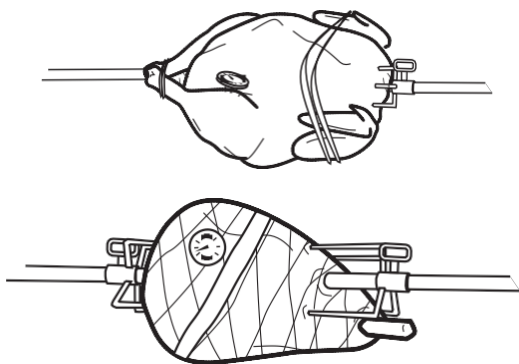


SPIT BALANCE

1. Loosen the rod handle to allow the balance to turn freely.
2. Set the rotisserie rod in the slots of the gas grill casting. Let the heaviest side of the meat rotate to the bottom.
3. Adjust the balance to the top of the rod, opposite the heaviest side of the meat.
4. Tighten the rod handle. Periodically, check to see if the meat turns smoothly while cooking. Adjust the balancer as necessary. **CAUTION: Use oven mitt when adjusting balancer.**

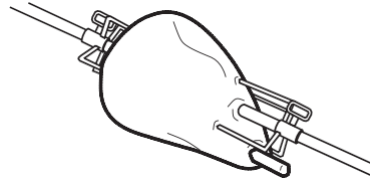
HOW TO USE A PROBE THERMOMETER

1. The accurate way to determine when a large piece of meat is done is to use a probe thermometer. Insert the thermometer at an angle so the sturdy pointed metal tip rests in the center of the thickest part of the meat. **Be careful that it doesn't touch the spit or the bone, and that the point is not resting in fat (you will notice much less resistance when probing in fat).**



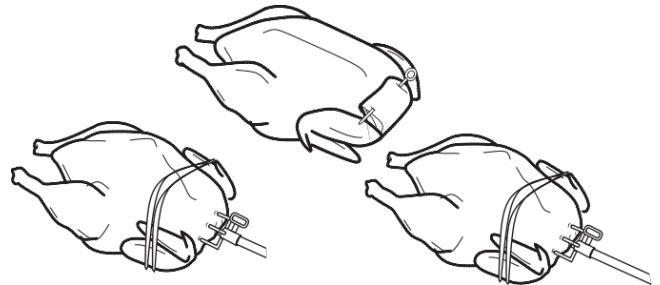
2. When the thermometer displays the desired temperature the meat is done. Add your sauces during the last few minutes of cooking time and let the meat stand about 15 minutes to firm up. Carve and serve.
- Poultry: insert the tip of the thermometer in the thickest part of the thigh close to the body.
 - Ham or roasts: insert the tip of the thermometer in the center of the heaviest section of the meat.

USING A SPIT – LEG OF LAMB



1. Have 3" of bone sawed from small end of leg.
2. Leave meat around bone intact to form a flap.
3. Put a spit fork on rod.
4. Fold flap up and run rod through flap and leg.
5. Put second fork on rod and insert forks in each end of leg. Test for balance. Tighten screws.

USING A SPIT – POULTRY



1. With breast down, bring neck skin up over cavity.
2. Turn under edges of skin; skewer to back skin.
3. Loop twine around skewer and tie.
4. Turn breast side up; tie or skewer wings to body.
5. Put a spit fork on rod. Insert rod in neck skin parallel to backbone and exit just above tail.
6. Put second fork on rod and insert forks in breast and tail. Test for balance. Tighten screws.
7. Tie tail to rod with twine. Cross legs; tie to tail.

THREE CHICKENS ON A SPIT



1. Tie or skewer wings to body.
2. Put a spit fork on rod. Place chickens on rod as demonstrated in the above diagram.
3. Loop twine around tails and legs; tie to rod.
4. Put second fork on rod and insert forks in chicken. Tighten screws.

MAINTENANCE

REGULAR MAINTENANCE

The following components should be inspected and cleaned (as necessary) before every usage of your gas grill to ensure optimal performance, safety and efficiency.

STAINLESS STEEL COOKING GRIDS

Brush grids with a long-handled stainless steel grill brush to remove loose debris. Next, perform a Burn-Off (see below). After the Burn-Off and while grill is still hot, brush the grids again to remove any remaining debris. **As the grill is hot, use caution and oven mitts while handling the brush.**

CAST IRON COOKING GRIDS

All OMC cast iron cooking grids are coated with a durable porcelain enamel finish to protect the grids and reduce the tendency of food sticking to grids. With all OMC cast iron cooking grids instead of burning off your grill after each usage, we recommend leaving food residue on grids and performing a Burn-Off (see below) before each use; this helps build up a protective layer of oil on the grids and will aid in preventing rust and deterioration.

Cast iron grids should be seasoned before every use by wiping or spraying them with vegetable or olive oil. Ensure that the whole surface of the grid is covered by a light layer of oil. This helps prevent rusting and deterioration. If rusting does occur, scrape it off gently with a scrub pad and season thoroughly. During longer periods of inactivity, grids should be seasoned, wiped dry then stored in a dry place. Before first usage and after periods of storage, grids should be washed (see "Cooking Grids" to right), dried with paper towel then wiped down thoroughly with vegetable shortening or olive/vegetable oil.

FLAV-R-WAVE™

If residue accumulates on the Flav-R-Wave™, remove the cooking grids and scrape the residue off the Flav-R-Wave™ with a grill brush.

GREASE TRAY

The grease tray is located directly under the drainage hole on the bottom of the gas grill. It is accessible from the side or rear of the appliance and should be cleaned or replaced regularly to avoid grease overflowing onto your patio.

GENERAL CLEANING

Perform a Burn-Off (see below). When gas grill is cool, remove grids, scrape the Flav-R-Wave™ clean then remove it. Clean the interior of the gas grill as necessary by scraping the sides and bottom of the cook box and vacuuming.

BURN-OFF

Ignite the burners as per "Lighting" (page 6). Operate gas grill on HIGH with lid closed for 10 min. or until smoking stops. Turn the gas source off then turn control knobs to OFF.

ANNUAL MAINTENANCE

The following components should be inspected and cleaned at least once a year or after any period of storage over 30 days to ensure optimal performance, safety and efficiency.

BURNER

Remove burner and inspect for cracks and deterioration. Clean venturi tubes using a pipe cleaner or venturi brush to eliminate any blockages. See "Venturi Tubes." (Page 4) While the burner is removed, clean the interior of cook box by scraping the sides and bottom of the cook box and vacuuming.

HOSE

Inspect and replace if necessary. See "Gas Supply Hose". (Page 3)

EXTERIOR FINISH

If white oxidation spots appear, wash the outside of the cook box with a mild soap and water solution. Rinse the surfaces thoroughly then wipe them with a cloth dipped in cooking oil to restore the luster. For repair of paint scratches and scuffs, use a good quality HIGH temperature (600°F) spray paint for touch-up. Rusting is a natural oxidation process and may appear on cast-iron and steel parts. Rust will not affect short term performance of your grill.

STAINLESS STEEL

Wash with soap and water. Use stainless steel cleaner to polish and remove stains or marks. Weathering and extreme heat can cause a stainless steel lid to turn a tan color. This is discoloration and is not considered a manufacturing defect.

RESIN COMPONENTS AND SIDE SHELVES

Wash with soap and water.

REPLACEMENT PARTS

If a problem is found with the regulator, hose, burner, or control valves, do not attempt repair. See your dealer, approved service center, or contact the factory for repairs or replacement parts. To ensure optimum performance, use only original OMC replacement parts.

LEAK TEST

When reconnecting to gas supply, be sure to check for leaks. See "Leak Testing." (Page 5)

COOKING GRIDS

To wash stainless or cast iron grids, use a light detergent and water and then rinse and dry with paper towel; never air dry grids or use a dishwasher. For cast iron grids, thoroughly season (see left: "Cast Iron Cooking Grids") after washing.

TROUBLESHOOTING

PROBLEM	POSSIBLE CAUSE	CORRECTIVE ACTION
SMELL OF GAS	SHUT OFF GAS SUPPLY AT ONCE. DO NOT USE THE APPLIANCE UNTIL LEAK IS SEALED.	
Leak detected at any connection.	<ol style="list-style-type: none"> 1. Quick disconnect coupling not seated fully. 2. Gas leak in connection. 3. Gas leak in hose or control valves 	<ol style="list-style-type: none"> 1. Remove and reconnect coupling 2. Tighten connection and "Leak Test". 3. See authorized service centre
Flames Beneath Control Panel (Flashback Fire)	<ol style="list-style-type: none"> 1. Venturi blocked. 	<ol style="list-style-type: none"> 1. Remove burner and clean venturi. See "Venturi Tubes" (page 4)
Burner Not Lighting	<ol style="list-style-type: none"> 1. Gas shut off valve closed. 2. Ignitor issue. 3. Venturi blocked or misaligned with valve orifice. 4. Orifice(s) blocked. 5. Hose is twisted. 	<ol style="list-style-type: none"> 1. Open gas shut off valve. 2. Try manually lighting burner with a match. See "Lighting" (page 6). If burner lights successfully, it is an ignitor issue. See "Ignitor not Working" below 3. Remove burner, clean venturi and realign with valve orifice. See page 4 for assistance. 4. Remove burner, clean orifices with a pin or fine wire. Do not drill orifices. 5. Straighten hose. Keep away from bottom casting.
Ignitor Not Working	<ol style="list-style-type: none"> 1. Ignitor battery is dead 2. Ignitor wire(s) not connected 3. Electrode misaligned on burner 4. Ignitor malfunction 	<ol style="list-style-type: none"> 1. Replace battery 2. Ensure main burner and side burner electrode wires are all connected 3. Realign electrode and clear any surrounding debris from area 4. Use "Match Lighting" procedure. (Page 6)
Decreasing Heat, "Popping Sound"	<ol style="list-style-type: none"> 1. Venturi blocked. 	<ol style="list-style-type: none"> 2. Remove burner, clean venturi. See "Venturi Tubes" (Page 4) for assistance.
Hot spots on Cooking Surface	<ol style="list-style-type: none"> 1. Venturi blocked 2. Debris buildup on Flav-R-Wave 	<ol style="list-style-type: none"> 1. Remove burner, clean venturi. See "Venturi Tubes" (page 4) for assistance. 2. Scrape off Flav-R-Wave and vacuum
"Flare-ups" or Grease Fires	<ol style="list-style-type: none"> 1. Excessive grease buildup on vaporizer or in gas grill cook box 2. Excessive heat. 	<ol style="list-style-type: none"> 1. Thoroughly scrape off Flav-R-Wave and inside of cookbox then vacuum out debris 2. Turn burner controls to a lower setting
Yellow Flame	<ol style="list-style-type: none"> 1. Some yellow flame is normal. If it is excessive, the venturi may be blocked. 2. Burner ports blocked. 	<ol style="list-style-type: none"> 1. Remove burner, clean venturi. See "Venturi Tubes" (page 4) for assistance. 2. Remove burner & clean with soft bristle brush (e.g. toothbrush).
Inside of Lid Appears to be Peeling	<ol style="list-style-type: none"> 1. This is a build-up of grease. The inside of lid is not painted and cannot peel. 	<ol style="list-style-type: none"> 1. Clean with stiff bristle brush or scraper.
Cooking Grids Rusting	<ol style="list-style-type: none"> 1. Porcelain enamel has been chipped 	<ol style="list-style-type: none"> 1. See "Maintenance" (page 10) for help
Control panel or oven lights not working	<ol style="list-style-type: none"> 1. Unit not connected to power. 2. Faulty transformer. 3. Loose or corroded connections. 4. Bulb blown 	<ol style="list-style-type: none"> 1. Connect GFI power cord to appliance. Plug to working power outlet. 2. Check transformer output is 12Vac. Replace if required. 3. Clean connections and ensure all connectors are pushed together firmly. 4. Replace bulbs.

WARRANTY

The OMC Warranty is effective from date of purchase and is limited to the repair or replacement of parts at no charge which prove to be defective under normal domestic use.

In United States and Canada replacement is FOB Factory.

In all other countries replacement is FOB OMC Distributor (Consult your Dealer for name of OMC Distributor).

All other costs are the responsibility of the owner.

This warranty is extended only to the original purchaser as indicated on the warranty registration and applies only to products sold at retail and only when used exclusively by the purchaser in country where purchased. (Different types of gas used in different countries require appropriate valves, orifices and regulators.)

WHAT IS COVERED

	IMPERIAL / REGAL / SOVEREIGN	BARON / SIGNET / MONARCH	CROWN	ROYAL / GEM
STAINLESS STEEL LID COMPONENTS	Lifetime	Lifetime		
PORCELAIN STEEL LID COMPONENTS	Lifetime	Lifetime	2 Years	
CAST ALUMINUM COOK BOX COMPONENTS	Lifetime	Lifetime	Lifetime	Lifetime
SS COOK BOX	Lifetime			
PORCELAIN STEEL COOK BOX		10 Years	2 Years	
PORCELAIN STEEL GRIDS				2 Years
CAST IRON GRIDS	2 Years	2 Years	2 Years	
SS GRIDS	5 Years	5 Years		2 Years
SS FLAV-R-WAVE / HEAT TENT	5 Years	3 Years	3 Years	2 Years
TUBE BURNERS	10 Years	10 Years	5 Years	5 Years
REAR BURNER	10 Years	10 Years		3 Years
SIDE BURNER	2 Years	2 Years		
SS CART COMPONENTS	5 Years	5 Years	2 Years	
REMAINING PARTS AND PAINT	2 Years	2 Years	2 Years	2 Years

WHAT IS NOT COVERED

Any failures or operating difficulties due to accident, abuse, misuse, alteration, misapplication, vandalism, improper installation or improper maintenance or service, or failure to perform normal and routine maintenance, including but not limited to damage caused by insects within the burner tubes, as set out in the owner's manual.

Deterioration or damage due to severe weather conditions such as hail, hurricanes, earthquakes or tornadoes, discoloration due to exposure to chemicals either directly or in the atmosphere.

Shipping or transportation costs.

Removal or re-installation costs.

Labor costs for installation and repair.

Cost of service calls.

Liability for indirect, or consequential damages.

Gas grills deemed to be used as a communal amenity or gas grills not directly used and maintained by the purchaser

REPLACEMENT PARTS

"Genuine OMC Gas Grill Parts" must always be used for replacement. Use of any other parts will automatically nullify the above warranty.

BURNERS

The life of OMC burners (made of stainless steel) depends almost entirely on proper use, cleaning and maintenance. This warranty does not cover failure due to improper use and maintenance. For proper burner maintenance instructions see page 10.

PORCELAIN-COATED COOKING GRIDS

All OMC cast iron cooking grids are coated with a durable porcelain enamel to assist in cleaning and reduce the tendency of food sticking to the grid. Porcelain is essentially a glass coating. Some chipping may occur if mishandled. This will not affect the use or performance of the grids. The grids are not warranted against chipping or rusting due to mishandling. Consult "Maintenance" (page 10) for proper cooking grid care and cleaning instructions.

VAPORIZATION SYSTEMS

OMC Gas Grills are designed for use with Flav-R-Wave™ vaporization systems. Use of any other product will nullify the warranty.

FLAV-R-WAVE™

The Flav-R-Wave™ is warranted against defects in materials or rust through for a period of 3 years on Monarch, Signet, Baron, 5 years on Sovereign, Regal and Imperial and 2 years on all other models from date of purchase. Surface rust will not affect the performance of the Flav-R-Wave™ and is not covered by the warranty. See "Maintenance" (page 10) for proper Flav-R-Wave care instructions.

FREIGHT

Courtesy shipping is provided for warranty orders during the six (6) months after the original date of purchase. After this period, a freight charge will be applied to all warranty orders.

REGISTER YOUR GRILL

You can register your grill's warranty online at www.omcbbq.com or by calling 1-800-265-2150.

WARRANTY CLAIMS

All warranty is handled directly by OMC. Parts must be returned to OMC Warranty Department, shipping charges prepaid, accompanied by Model Number, Serial Number, and if your grill is not registered, proof of purchase (copy of sales slip or invoice). If inspection confirms the defect, OMC will repair or replace such part in accordance with the terms of the warranty.

On receipt of letter or fax (not by phone) OMC may at its option not require part or parts to be returned.

NON AMERICAN/CANADIAN RESIDENTS

The above warranty is administered by the OMC distributor in your country. Contact your dealer for the name of your OMC distributor.

Broil King®

MANUEL DE L'UTILISATEUR

UTILISATION AVEC GAZ NATUREL



ANSI Z21.58-2015 / CSA 1.6-2015

TABLE DES MATIÈRES

MESURES DE SÉCURITÉ.....	14
INSTALLATION.....	14
GAZ NATUREL.....	15
ALIMENTATION DU GAZ.....	15
TUBES VENTURI.....	16
CONTRÔLE DES FUITES.....	17
ALLUMAGE.....	18
FONCTIONNEMENT.....	19
TECHNIQUES DE CUISSON.....	19
ENTRETIEN.....	22
DÉPANNAGE.....	23
GARANTIE.....	24

REMARQUE À L'INSTALLATEUR: CES INSTRUCTIONS DOIT ÊTRE GAUCHE AVEC LE CONSOMMATEUR.



DANGER

S'IL Y A UNE ODEUR DE GAZ:

1. FERMER L'ALIMENTATION EN GAZ DE L'APPAREIL
2. ÉTEINDRE TOUTE FLAMME NUE
3. OUVRIR LE COUVERCLE
4. SI L'ODEUR PERSISTE, ÉLOIGNEZ-VOUS DE L'APPAREIL ET APPELEZ IMMÉDIATEMENT VOTRE FOURNISSEUR DE GAZ OU LES POMPIERS



AVERTISSEMENT

1. NE PAS ENTREPOSER NI UTILISER DE L'ESSENCE OU AUTRES VAPEURS OU LIQUIDES INFLAMMABLES À PROXIMITÉ DE CET APPAREIL.

VEUILLEZ INSCRIRE LE NUMÉRO DE MODÈLE, LE NUMÉRO DE SÉRIE ET LA DATE D'ACHAT ICI.

Ces renseignements se trouvent sur une étiquette d'avertissement noire et argent d'OMC à l'arrière ou sur le côté de votre gril à gaz.

Numéro de modèle

Numéro de série

Date d'achat

jj

mm

aaaa

**LIRE ATTENTIVEMENT CES DIRECTIVES AVANT D'UTILISER VOTRE GRIL.
CONSERVER CES DIRECTIVES POUR RÉFÉRENCE ULTÉRIEURE.**

Onward
MANUFACTURING COMPANY
LIMITED

585 KUMPF DRIVE
WATERLOO, ONTARIO, CANADA
N2V 1K3

SINCE 1906

FR

MESURES DE SÉCURITÉ

Votre nouveau barbecue au gaz OMC est un appareil sécuritaire et pratique lorsqu'il est assemblé et utilisé correctement. Toutefois, comme tout appareil fonctionnant au gaz, certaines mesures de sécurité s'imposent. **Le non respect de ces mesures de sécurité peut causer de sérieux dommages ou des blessures graves.** Si vous avez des questions en ce qui concerne l'assemblage ou le fonctionnement de l'appareil, consultez votre marchand, technicien d'appareils à gaz, compagnie de gaz ou notre service à la clientèle au 1-800-265-2150 / info@omcbbq.com

ATTENTION

- **UTILISER À L'EXTÉRIEUR SEULEMENT.**
- **NE PAS FAIRE FONCTIONNER CET APPAREIL SANS SURVEILLANCE.**
- **PRENDRE LES PRÉCAUTIONS NÉCESSAIRES POUR ÉLOIGNER LES ENFANTS DES SURFACES CHAUDES.**

Soyez prudent lorsque vous déplacez l'appareil. Les bords de métal peuvent être coupants. Utilisez les gants appropriés pour soulever ou déplacer le barbecue. Avant de soulever le gril, retirer les tablettes latérales et les grilles de cuisson.

PRÉCAUTIONS À PRENDRE AVEC L'ÉLECTRICITÉ

1. Si vous utilisez un accessoire qui nécessite une source de courant électrique avec ce gril, l'accessoire doit être mis à la terre lorsqu'il est installé, selon les normes locales en vigueur. En l'absence de normes locales, les normes suivantes s'appliquent:

(É.-U.) ANSI/NFPA No. 70 - Dernière édition
(Canada) CSA C22.1 Code Canadien de l'électricité

2. Ne jamais couper ou enlever la broche de masse de la fiche électrique.
3. Éloigner le fil électrique et le boyau d'alimentation en gaz de toute surface chauffée.

AVERTISSEMENT LIÉ À LA PROPOSITION 65

La manipulation du matériel en laiton de ce produit vous expose au plomb, un produit chimique identifié par l'État de la Californie comme cause le cancer, de malformations congénitales et d'autres troubles de l'appareil reproducteur. **LAVEZ-VOUS LES MAINS APRÈS AVOIR MANIPULÉ CE PRODUIT.**

AVERTISSEMENT

Les combustibles utilisés dans les appareils à l'huile ou au gaz et leurs produits de combustion contiennent des produits chimiques identifiés par l'État de la Californie comme cause le cancer, d'anomalies congénitales et autres anomalies du système reproducteur. "Cet avertissement est émis en vertu du California Health and Safety Code Sec. 25249.6"

INSTALLATION

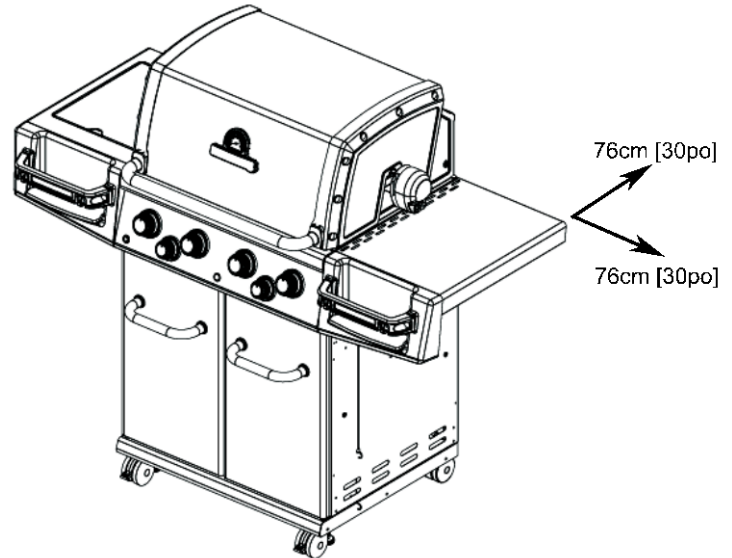
1. Aux États-Unis, cet appareil doit être installé selon les normes locales et la norme nationale applicable:

ANSI Z223.1/NFPA 54 - Dernière édition du National Fuel Gas Code et plus récentes normes locales, s'il y a lieu.

2. Au Canada, cet appareil doit être installé selon les normes locales et les normes applicables de la CSA:

CSA-B149.1 Code d'installation d'appareils fonctionnant au gaz naturel ou au propane.

3. Les côtés et l'arrière de l'appareil doivent être éloignés d'un minimum de 76cm / 30po de toute surface combustible.



4. Ne pas utiliser cet appareil sous une toiture ou un feuillage.
5. Cet appareil est conçu pour être **UTILISÉ À L'EXTÉRIEUR SEULEMENT. NE PAS UTILISER** dans un garage, un cabanon, sur un balcon ou tout endroit clos.
6. **NE PAS** limiter la circulation d'air à l'appareil.
7. Garder les environs de l'appareil libres de matières combustibles, d'essence et de tout liquide et vapeur inflammables.
8. Cet appareil n'est pas conçu pour être installé sur ou dans un véhicule récréatif ou un bateau.

1. Cet gril est destiné pour être utilisé avec du gaz naturel. Ne pas utiliser avec du gaz propane (réservoir de gaz). Les soupapes, orifices et les tuyaux sont pour gaz naturel seulement.
2. Ne pas utiliser avec du charbon.
3. Une soupape d'arrêt doit être utilisée sur la canalisation d'alimentation du gaz.
4. Quand l'appareil n'est pas utilisé, fermer l'alimentation du gaz à la soupape.
5. L'appareil est fait pour opérer à une pression de 7 pouces sur colonne d'eau.

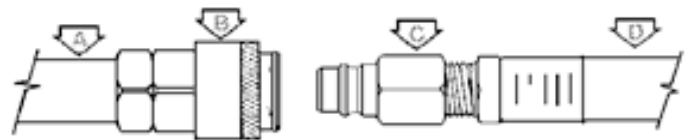
ENTREPOSAGE

1. Le gaz doit être fermé à l'alimentation du gaz naturel quand le gril n'est pas utilisé.
2. Quand le gril est entreposé dehors l'alimentation du gaz doit être débranchée.

VERIFICATION DU GAZ A LA SOURCE

1. Cet appareil doit être débranché de la canalisation de l'alimentation du gaz au débranchement rapide durant une vérification à pression de ce système de plus de 1/2 psig (3.5 kPa).
2. Fermer le gril quand l'alimentation du gaz est vérifiée à une basse pression. Cet appareil devra être isolé de la canalisation de l'alimentation du gaz en fermant la soupape durant toute vérification de l'alimentation à une pression égale ou moins de 1/2 psig (3.5 kPa).

1. Sur les modèles fournis d'un tuyau prolongateur, l'assemblage des tuyaux est destiné particulièrement pour votre modèle. Ne pas essayer de modifier ou d'ajouter à l'alimentation. Les tuyaux et les accouplements des tuyaux sont conformes au Standard CGA CAN 1-83.
2. Pour les modèles équipés avec l'accouplement à débranchement rapide, fermer la soupape avant de débrancher l'accouplement.
3. L'accouplement à débranchement rapide doit rester propre et être entretenu pour qu'il n'y ait pas de débris ou de saletés.
4. S'assurer qu'il n'y ait pas de graisse dégoutant du tuyau, et ne pas laisser le tuyau toucher aucune surface chaude y inclus le boîtier du gril.
5. Inspecter le tuyau en au moins une fois par année. Si le tuyau a des fissures, des coupures, est usé ou endommagé, l'appareil ne doit pas être utilisé.
6. Pour une réparation ou remplacement de l'assemblage des tuyaux, prendre contact avec votre marchand ou avec un centre de service autorisé.



- A. ALIMENTATION DU GAZ.
- B. ACCOUPLEMENT À DÉBRANCHEMENT RAPIDE.
- C. ADAPTEUR DU TUYAU.
- D. TUYAU PROLONGATEUR.

TUBES VENTURI

Toujours garder les tubes venturi propres. Les obstructions des tubes de venturi causées par les araignées, les insectes et les nids peuvent s'enflammer. Même si le barbecue s'allume, le gaz accumulé peut s'enflammer au niveau des tubes venturi, du panneau de commande ou du brûleur latéral.



TUBE VENTURI TOILE D'ARAIGNÉE BRÛLEUR TUBULAIRE

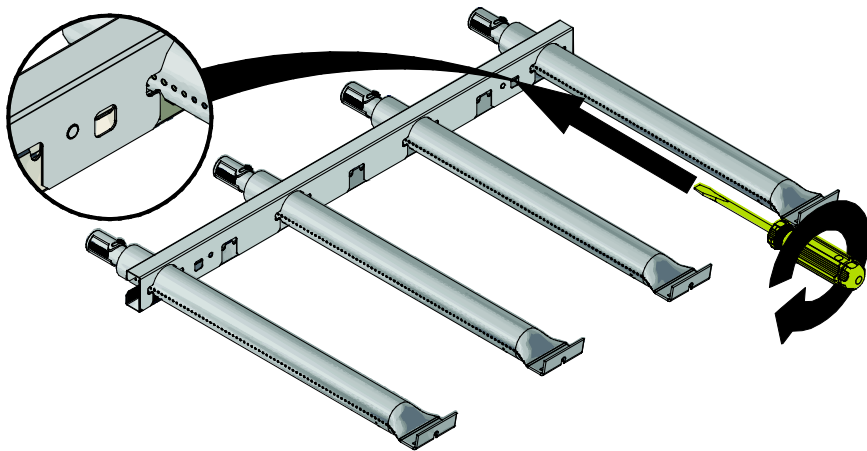
S'il y a un retour de flamme, fermer immédiatement la source de gaz.

Inspecter et nettoyer les tubes venturi (brûleur principal, brûleur latéral et brûleur arrière) si vous remarquez le suivant:

1. Une odeur de gaz.
2. Votre barbecue n'atteint pas la température désirée.
3. La température du barbecue n'est pas uniforme.
4. Les brûleurs émettent des crépitements.

INSPECTION ET NETTOYAGE DES TUBES VENTURI

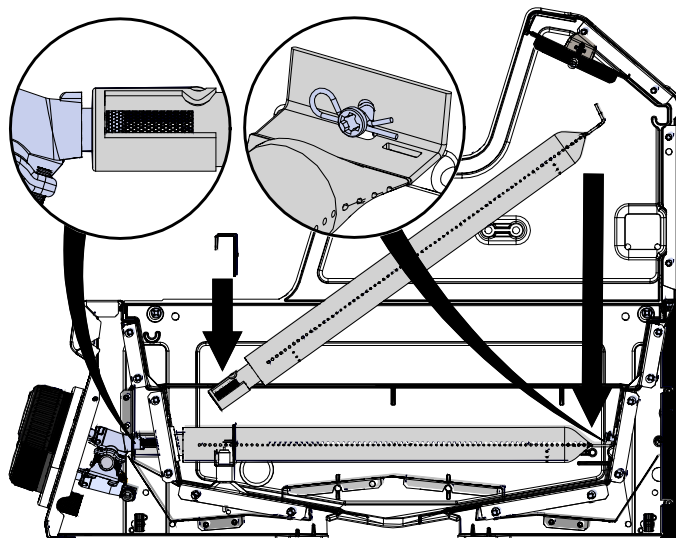
1. Fermer l'alimentation en gaz à l'aide du robinet de la bonbonne.
2. Lorsque le barbecue est refroidi, enlever les attaches de retenue des brûleurs et la partie supérieure du coffrage. Soulever les brûleurs du fond du boîtier.



3. Nettoyer les tubes venturi avec une tige ou accessoire de nettoyage à venturi (accessoire #77310 ou #18270).



4. Replacer le brûleur dans sa position originale dans le boîtier en veillant à ce que les tubes venturi soient bien alignés avec les orifices.



5. Replacer les attaches de retenue des brûleurs. Remettre le couvercle du coffrage en place.

CONTRÔLE DES FUITES

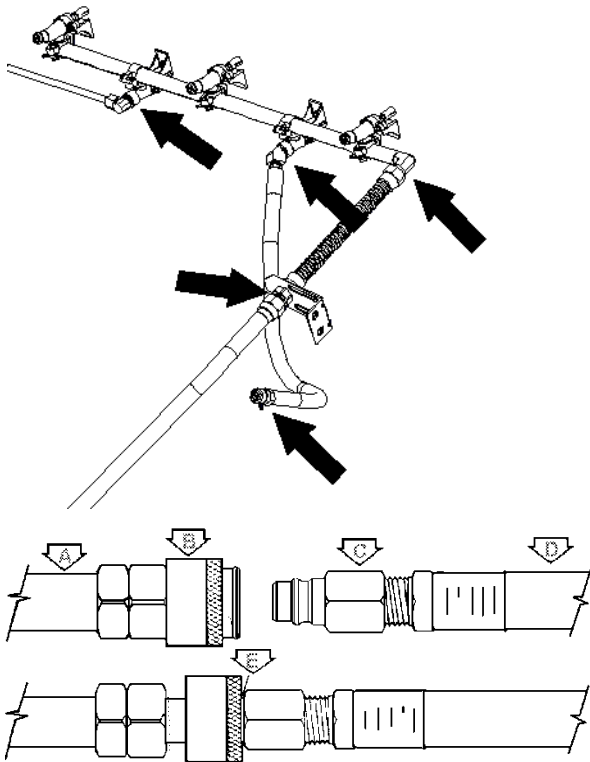
Toutes les connexions fabriquées en usine ont été testées pour des fuites de gaz. Toutefois, lors de l'expédition et la manutention, un raccord pourrait s'être desserré.

MESURES DE PRÉCAUTION:

- Vérifier l'étanchéité de toutes les connexions avant d'utiliser votre barbecue au gaz.
- Vérifier les fuites de gaz chaque fois qu'un raccord de gaz est débranché et rebranché, au moins une fois par année ou à période d'entreposage.
- Ne jamais fumer lorsque vous testez l'étanchéité.
- Ne jamais vérifier s'il y a des fuites à l'aide d'une allumette ou d'une flamme nue.
- Effectuer le test d'étanchéité à l'extérieur.

VÉRIFICATION DES FUITES DE GAZ:

1. Éteindre toute flamme nue ou cigarette à proximité.
2. Vérifier à ce que l'alimentation en gaz et les vannes de la grille est fermée.
3. Préparer une solution savonneuse: parties égales d'eau et de détergent liquide.
4. Ouvrir la soupape.
5. A l'aide d'un pinceau, brosser chaque raccord avec la solution savonneuse.



- A. ALIMENTATION DU GAZ
- B. A COUPLÉMENT À DÉBRANCHEMENT RAPIDE
- C. ADAPTEUR DU TUYAU
- D. TUYAU PROLONGATEUR
- E. VÉRIFIER LES FUITES ICI

6. Si la solution fait des bulles, il y a une fuite.
7. Si vous détectez une fuite, fermer le robinet de la bonbonne, resserrer la connexion et testez à nouveau.
8. Si la fuite persiste, communiquez avec votre détaillant. Ne pas faire fonctionner l'appareil s'il y a une fuite.

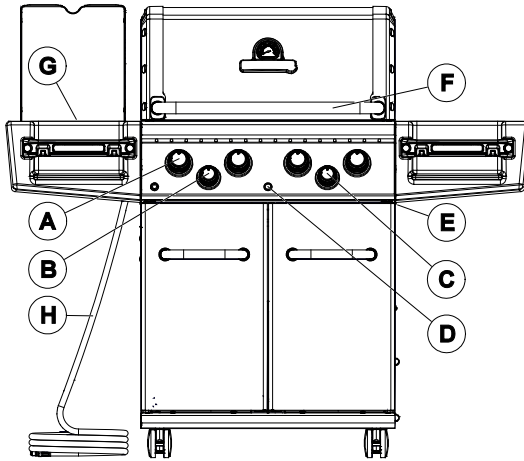
Si votre barbecue est équipé d'un brûleur latéral ou arrière:

1. Suivre les étapes 1 à 4 ci-dessus.
2. Placer le bout du doigt sur l'ouverture de l'orifice au bout du tuyau.
3. Tourner le bouton de contrôle du brûleur latéral à la position "HIGH".
4. Brosser chaque raccord entre l'orifice et le bouton de contrôle avec une solution savonneuse.
5. Fermer le bouton de contrôle du brûleur arrière ou latéral.

ALLUMAGE

COMPOSANTES DE BASE D'UN BARBECUE AU GAZ

- A. Brûleur principal
- B. Brûleur latéral
- C. Brûleur arrière
- D. Allumeur
- E. Orifice d'allumage manuel
- F. Poignée
- G. Brûleur latéral
- H. Alimentation du gaz



INSTRUCTIONS D'ALLUMAGE

1. L'appareil doit être assemblé selon les instructions d'assemblage.
2. S'assurer que le fournisseur de gaz soit proprement connecté au gril.
3. S'assurer qu'il n'y a pas de fuites de gaz dans le système d'alimentation de gaz. Voir "Contrôle des Fuites" (Page 17)
4. Veiller à ce que les tubes venturi sont bien situés sur les orifices des soupapes de gaz. Voir le diagramme de venturi. (Page 16)
5. S'assurer que les fils d'allumage du brûleur principal et du brûleur latéral sont connectés.
6. Lire attentivement toutes les instructions figurant sur la plaque de renseignements apposée au gril.
7. **AVERTISSEMENT: Toujours ouvrir le boîtier pendant l'allumage et ne pas se pencher au-dessus.**
8. Placer les boutons de contrôle à "OFF" et ouvrir le robinet de la bonbonne de gaz.

ALLUMAGE DU BRÛLEUR PRINCIPAL:

- a. Ouvrir le boîtier et fermer seulement une fois allumé.
- b. Vérifier que la pile est installée dans le système d'allumage électronique.
- c. Pousser et tourner le bouton de l'un des brûleurs principaux à "HIGH".
- d. Pousser le bouton d'allumage et maintenir la pression ou allumez à l'aide d'une allumette.
- e. Le brûleur devrait s'allumer en 5 secondes, sinon, fermez immédiatement la source de gaz si le barbecue ne s'allume pas. Pour allumer le brûleur avec une allumette, voir f. ci-dessous.
- f. Insérer l'allumette enflammée dans le trou d'allumage sur le côté inférieur droit du boîtier.
- g. Pousser et tourner le bouton de contrôle du brûleur principal droit à "HIGH".
- h. Le brûleur devrait s'allumer en 5 secondes.
- i. Après l'allumage du premier brûleur, pousser et tourner le bouton de contrôle adjacent à "HIGH" et répéter pour les autres brûleurs qui devraient s'allumer automatiquement, sans l'allumeur.

Avis: En cas de vent, allumer chaque brûleur individuellement. Utiliser un porte-allumette pour placer une allumette enflammée près de chaque brûleur.

ALLUMAGE DU BRÛLEUR LATÉRAL:

- a. Pousser et tourner le bouton du brûleur latéral à "HIGH".
- b. Pousser le bouton d'allumage et maintenez la pression.
- c. Le brûleur devrait s'allumer en 5 secondes. Pour allumer le brûleur avec une allumette, voir d. ci-dessous.
- d. Placer une allumette allumée près des orifices du brûleur.
- e. Pousser et tourner le bouton du brûleur latéral à "HIGH".
- f. Le brûleur devrait s'allumer en 5 secondes.

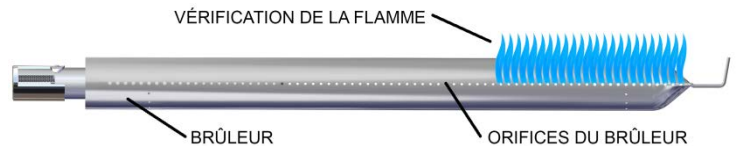
Note: Les casseroles sur le brûleur latéral ne devraient pas dépasser 23cm (9 po) de diamètre ou peser plus de 7kg (15 lb).

ALLUMAGE DU BRÛLEUR ARRIÈRE POUR RÔTISSEUR:

Avertissement : ne pas faire fonctionner le brûleur principal en même temps que le brûleur arrière.

- a. Le brûleur arrière doit être en place avant de tourner le bouton de contrôle.
- b. **ENLEVER LA GRILLE DE RÉCHAUD.**
- c. Pousser et tourner le bouton du brûleur arrière à "HIGH"
- d. Pousser le bouton d'allumage et maintenir la pression.
- e. Le brûleur devrait s'allumer en 5 secondes. Pour allumez le brûleur avec une allumette, voir f. ci-dessous.
- f. Placer une allumette enflammée près des orifices du brûleur.
- g. Pousser et tourner le bouton du brûleur arrière à "HIGH"
- h. Le brûleur devrait s'allumer en 5 secondes.

ATTENTION – Vérifier votre barbecue une fois allumé. Les orifices du brûleur devraient produire des flammes de 2.5cm / 1 po au réglage "HIGH".



Si vous notez les problèmes suivants, il est possible que les tubes venturi soient bloqués. Fermer immédiatement le gaz et nettoyer les tubes venturi. Voir "Tubes venturi". (Page 16)

1. Une odeur de gaz.
2. Il y a un retour de flamme.
3. La température du gril n'est pas uniforme.
4. Les brûleurs émettent des crépitements.

SI LE BRÛLEUR NE S'ALLUME PAS:

1. Pousser et tourner le bouton de contrôle à "ARRÊT". Attendre 5 minutes et essayer encore, avec le bouton de contrôle à "MEDIUM".
2. Si un brûleur ne s'allume pas, voir "Dépannage" à la page 23. Si le problème persiste, ne pas faire fonctionner l'appareil. Communiquez avec OMC, votre détaillant ou un centre de service approuvé.

ÉTEINDRE L'APPAREIL:

1. Fermer le robinet de la bonbonne.
2. Tourner les boutons de contrôle à "ARRÊT".

FONCTIONNEMENT

⚠ ATTENTION

NE JAMAIS couvrir des fentes, des trous ou des passages dans le fond du four ou couvrir un rack entier avec un matériau tel qu'une feuille d'aluminium. Cela empêche le flux d'air dans le four et peut causer l'intoxication au monoxyde de carbone. Les garnitures d'aluminium peuvent retenir la chaleur et causer un risque d'incendie.

Première utilisation: Avant de cuisiner avec votre barbecue pour la première fois, allumez-le pour brûler toute odeur ou corps étranger, comme suit:

1. Les grilles de cuisson en place, allumez le barbecue au gaz en suivant les instructions d'allumage (page 25) et faire fonctionner le barbecue à "HIGH" de 10 à 15 minutes. Ensuite, fermer l'alimentation en gaz et tourner tous les boutons de contrôle à "ARRÊT".
2. Quand le barbecue est refroidi, vaporiser ou enduire généreusement toute la surface et les coins des grilles de cuisson d'huile d'olive ou végétale. Les grilles en fonte devraient être légèrement enduites à chaque utilisation.
3. Vous êtes prêt pour la cuisson. Passez au "préchauffage".

Préchauffage: Préchauffer le barbecue à MEDIUM/HIGH pendant 10 minutes, le couvercle fermé. Réduire la température selon ce que vous allez griller. Brosser fermement les grilles de cuisson avec une brosse en métal. Ensuite, enduire ou vaporiser les grilles d'huile d'olive ou végétale pour éviter que les aliments ne collent aux grilles.

Position du couvercle: La position du couvercle pendant la cuisson est une question de préférence personnelle mais le gril cuit plus rapidement, utilise moins de propane et contrôle mieux la température lorsque le couvercle est fermé. Un couvercle fermé donne aussi un goût plus fumé aux viandes cuites directement sur les grilles et est aussi indispensable pour la fumaison ou la cuisson à convection.

Système de vaporisation: Votre barbecue est conçu pour fonctionner avec le système de vaporisation Flav-R-Wave™ compris. Ne pas utiliser de pierres de lave, de briquettes en céramique ou tout autre système de vaporisation autre que celui fourni avec votre barbecue.

TEMPÉRATURES DE CUISSON

Réglage élevé: La température à la surface des grilles est d'environ 600 – 650°F (320 – 340°C). Utiliser cette température pour chauffer rapidement le gril ou brûler les résidus d'aliments des grilles à la fin de la cuisson. Cette température est aussi idéale pour saisir des steaks avant de réduire la température. L'option de cuisson "HI" n'est que très rarement utilisée et ne convient pas à de longues périodes de cuisson.

Moyen/élevé: Produit une température à la surface des grilles d'environ 550°F (290 C) avec le couvercle fermé. Utiliser pour réchauffer le barbecue et pour cuire des biftecks et côtelettes.

Moyen: Produit une température d'environ 450° F (230°C) à l'intérieur du barbecue avec le couvercle fermé. Utiliser pour griller la volaille, les hamburgers, les légumes, pour rôtir et la cuisson au four.

Bas: Produit une température d'environ 310- 350° F (155-175° C) à l'intérieur du barbecue avec le couvercle fermé. Utiliser pour la fumaison, de grosses coupes de viande, des poissons délicats et pour la pâte et des pâtisseries, telles que des quesadillas.

Ces températures sont approximatives et varient selon la température ambiante et la force du vent.

TECHNIQUES DE CUISSON

CUISSON DIRECTE

La cuisson directe est une méthode qui cuit les aliments sur les grilles au-dessus d'un brûleur allumé. Il s'agit de la méthode la plus populaire de cuire les portions individuelles telles que les biftecks, côtelettes, poisson, hamburgers, brochettes et légumes.

1. Préparer la nourriture d'avance pour éviter les délais dans la coordination du repas. Si vous utilisez une marinade ou des épices, appliquer avant de placer la viande sur la grille de cuisson. Si vous badigeonnez, faites-le de 2 à 4 minutes avant la fin de la cuisson pour éviter la carbonisation.
2. Les fourchettes, pinces, gants, sauces et assaisonnements devraient être placés à proximité afin de ne pas devoir quitter le barbecue pendant la cuisson.
3. La viande doit être à la température de la pièce avant la cuisson. Ôter le surplus de graisse de la viande pour minimiser les flambées causées par les égouttements de graisse.
4. Préchauffer le barbecue à la température désirée avec le couvercle fermé.
5. Enduire les grilles d'huile d'olive ou végétale pour prévenir que les aliments ne s'adhèrent aux grilles.
6. Ne pas saler la viande pendant la cuisson au barbecue. La viande demeure plus juteuse si on ajoute le sel après la cuisson.
7. Pour éviter des biftecks "secs", utiliser des pinces plutôt qu'une fourchette et commencer la cuisson à "MEDIUM / HIGH" pour saisir la viande et sceller la saveur. Réduire la chaleur et allonger la durée de cuisson pour griller des tranches de viande plus épaisses.
8. Apprenez à vérifier si la viande est prête selon le temps de cuisson et son apparence. La viande s'affermi en cuisant. Un bifteck mou est saignant, un bifteck ferme est bien cuit.
9. Suivez le guide de grillade du bifteck parfait pour la plupart des viandes, poissons, volailles et légumes.

GUIDE POUR LA GRILLADE DU BIFTECK PARFAIT

DÉPOSEZ LE BIFTECK À ANGLE SUR UNE GRILLE CHAUDE.

2 min.

RETOURNEZ LE BIFTECK COMME ILLUSTRÉ CI-DESSOUS.

2 min.

RETOURNEZ LE BIFTECK UNE DEUXIÈME FOIS.

2 min.

RETOURNEZ LE BIFTECK UNE DERNIÈRE FOIS.

2 min.

Épaisseur de la viande		Réglage de chaleur	Temps de cuisson par côté				Temps total
1 1/2"	1"		A	B	C	D	
	Rare	Haut	1 1/4	1 1/4	1 1/4	1 1/4	7 minutes
Saignant	Mi-saignant	Moyen/Haut	2	2	2	2	8 minutes
Mi-saignant	Moyen	Moyen/Haut	2 1/4	2 1/4	2 1/4	2 1/4	9 minutes
Moyen	Bien cuit	Moyen	2 1/2	2 1/2	2 1/2	2 1/2	10 minutes
Bien cuit		Moyen	3	3	3	3	12 minutes

TECHNIQUES DE CUISSON

GUIDE DE CUISSON DIRECTE				
	ÉPAISSEUR 1 po	TEMPÉRATURE	DURÉE PAR CÔTÉ	TOTALE DE MINUTES
POULET	MOYEN / BIEN CUIT	MOYEN / BAS	4 / 4 / 4 / 4	16
AILES DE POULET	MOYEN / BIEN CUIT	MOYEN / BAS	5 / 5 / 5 / 5	20
HAMBURGER	MOYEN	MOYEN / BAS	3 / 3 / 3 / 3	12
HAMBURGERS 3/4" GELÉS	MOYEN	MOYEN / BAS	3 / 3 / 3 / 3	12
FILET DE POISSON	MOYEN	MOYEN	2 / 2 / 2 / 2	8 - 10
QUEUE DE HOMARD	MOYEN	MOYEN	4 / 4 / 4 / 4	16 - 20

UTILISEZ LA TECHNIQUE DE CUISSON DU BIFTECK PARFAIT (PAGE 19)

CUISSON INDIRECTE À LA CONVECTION

Cette méthode est idéale pour cuire de grosses coupes de viandes comme des rôtis ou des volailles. La viande est cuite par l'air chaud qui circule autour des aliments.

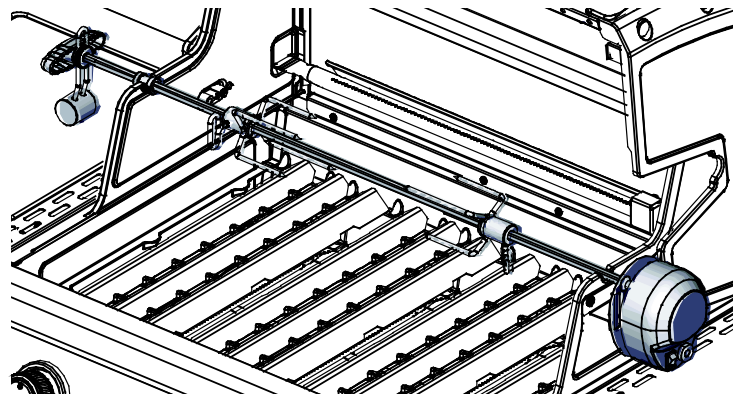
1. Pour la plupart des cuissons à convection avec ou sans tournebroche, on recommande l'utilisation d'une lèche-frite pour capter les jus de cuisson. Placer la lèche-frite sur le Flav- R-Wave, sous le centre de la viande. Verser un demi à un pouce d'eau dans la lèche-frite. Pour plus de saveur, ajouter du jus de fruit, du vin ou une marinade. Ne pas laisser le liquide s'évaporer complètement de la lèche-frite.
2. On recommande de fermer le couvercle et de cuire à basse température pour la cuisson par convection sans tournebroche. Tous les brûleurs peuvent être à "LOW" ou les brûleurs extérieurs à "MEDIUM" et le(s) brûleur(s) du centre à "OFF". En fermant les brûleurs du centre, on évite que le liquide dans la lèche-frite ne brûle.
3. Avant de placer la viande sur le gril, badigeonnez d'huile végétale pour dorer la viande.
4. La cuisson indirecte sans lèche-frite est déconseillée. Si vous le faites, faites bien attention car les jus de cuisson pourraient causer un feu de graisse.
5. Éteindre le gril et laisser refroidir avant d'enlever la lèche-frite. Les jus de cuisson sont hautement inflammables et doivent être manipulés avec soin pour éviter les blessures.
6. Pour une cuisson à convection de rôtis et de volaille sans tournebroche, placer la viande sur une rôtissoire directement sur les grilles de cuisson.

GUIDE POUR LA CUISSON À CONVECTION ET AU TOURNEBROCHE			
RÔTI DE BOEUF	3 - 6 Lb.	MOYEN/BAS	2 - 4 HRS
RÔTI DE BOEUF	6 - 10 Lb.	MOYEN/BAS	3 - 5 HRS
RÔTI DE PORC	2 - 5 Lb.	MOYEN/BAS	2 - 4 HRS
RÔTI DE PORC	6 - 10 Lb.	MOYEN/BAS	3 - 5 HRS
DINDE OU POULET	2 - 5 Lb.	MOYEN/BAS	2 - 4 HRS
DINDE OU POULET	5 - 10 Lb.	MOYEN/BAS	3 - 5 HRS

QUAND VOUS UTILISEZ LE BRÛLEUR ARRIÈRE, RÉGLER À MOYEN / HAUTE

CUISSON AU TOURNEBROCHE

Suivre les étapes de la cuisson indirecte à convection.



1. Le tournebroche peut accommoder jusqu'à 15 lb (7 kg) de viande, limité seulement par l'espace de rotation. Pour de meilleurs résultats, installer la viande au centre de la broche afin qu'elle soit bien équilibrée.
2. Si l'espace le permet, le tournebroche peut être utilisé avec les grilles de cuisson en place.
3. Bien attacher la viande sur la broche avant de l'installer sur le barbecue. Pour la volaille, attacher fermement les ailes et les cuisses.

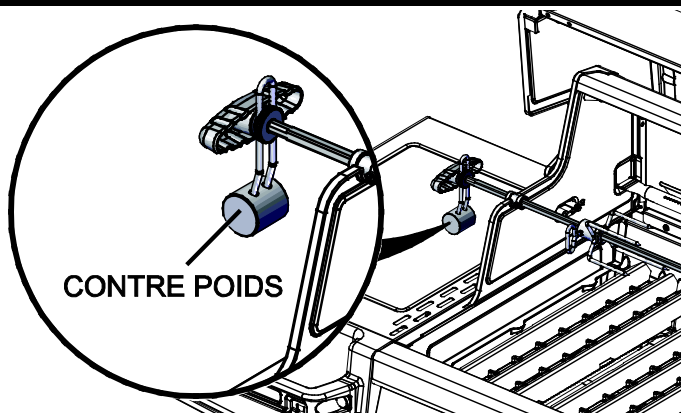
CUISSON AU TOURNEBROCHE AVEC BRÛLEUR ARRIÈRE

1. Certains modèles sont équipés d'un brûleur arrière pour la cuisson au tournebroche. Cette méthode offre des résultats supérieurs pour la cuisson de rôtis et de volaille. Puisque la source de chaleur est située à l'arrière, il n'y aura pas de flambée causée par l'égouttement des jus de cuisson. Un plat ou une lèche-frite placée sous la broche permettra de recueillir les jus pour l'arrosage ou la préparation d'une sauce.
2. Le brûleur arrière à ressort peut être facilement enlevé lorsqu'il n'est pas utilisé.
3. Pour le fonctionnement du brûleur arrière, voir "Allumage du brûleur arrière". (Page 18)

GUIDE DE TEMPÉRATURE POUR VIANDES ET VOLAILLES			
	SAIGNANT	MOYEN	BIEN CUIT
BOEUF/AGNEAU/VEAU	130°F / 55°C	146°F / 63°C	160°F / 70°C
PORC		150°F / 65°C	170°F / 77°C
VOLAILLE			170°F / 77°C
HAMBURGER			160°F / 70°C

POUR DE MEILLEURS RÉSULTATS, UTILISER UN THERMOMÈTRE À VIANDE

TECHNIQUES DE CUISSON

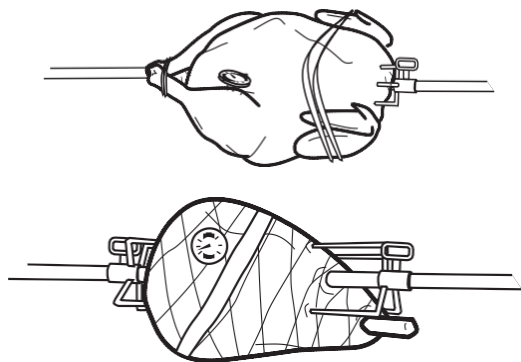


ÉQUILIBRER LE TOURNEBROCHE

1. Desserrer la poignée de la broche pour permettre au contrepoids de balancer librement.
2. Placer la broche dans les coches du boîtier du barbecue. Permettre au côté le plus lourd de la viande de pivoter vers le bas.
3. Ajuster le contrepoids sur le dessus de la broche, à l'opposé du côté le plus lourd de la viande.
4. Serrer la poignée. Vérifier périodiquement que la viande tourne uniformément lors de la cuisson. Ajuster le contrepoids au besoin. **Attention: utiliser des gants de cuisine pour ajuster le contrepoids.**

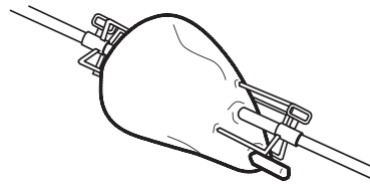
COMMENT UTILISER UN THERMOMÈTRE À SONDE

1. La façon précise de déterminer qu'une grosse coupe de viande est cuite est d'utiliser un thermomètre à sonde. Insérer le bout métallique obliquement au centre de la viande, dans la partie la plus épaisse. **Veiller à ne pas toucher d'os ou la broche et vous assurer que la sonde est installée dans la chair, et non le gras. Vous remarquerez beaucoup moins de résistance lorsque le thermomètre sonde du gras.**



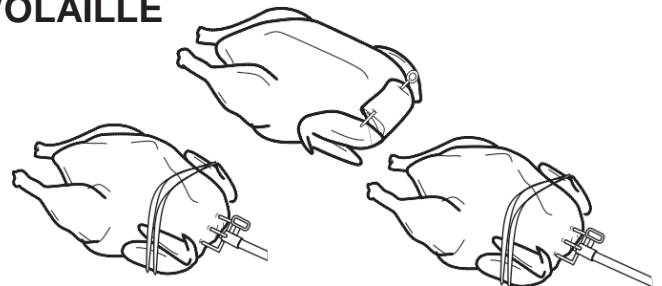
2. Quand le thermomètre indique la température désirée, la viande est cuite. Ajouter vos sauces dans les dernières minutes de cuisson. Laisser reposer la viande 15 minutes afin qu'elle se raffermisse. Découper et servir.
 - Volaille: insérer le bout du thermomètre dans la partie la plus épaisse de la cuisse, près du corps.
 - Jambon ou rôtis: insérer le bout du thermomètre au centre de la section la plus épaisse de la viande.

UTILISER UNE BROCHE POUR UN GIGOT D'AGNEAU



1. Faire scier 3 po d'os de la petite partie du gigot.
2. Laisser la viande autour de l'os intacte pour former un rabat.
3. Placer une fourchette sur la broche.
4. Replier le rabat et passer la broche à travers le rabat et le gigot.
5. Placer une deuxième fourchette sur la broche et insérer les deux fourchettes à chaque extrémité du gigot. Vérifier l'équilibre. Serrer les vis.

UTILISER UNE BROCHE POUR LA VOLAILLE



1. Poitrine vers le bas, recouvrir la cavité avec la peau du cou.
2. Plier la peau et fixer avec une brochette.
3. Enrouler une ficelle autour de la brochette et attacher.
4. Poitrine vers le haut, attacher les ailes au corps avec une ficelle ou une brochette.
5. Placer une fourchette sur la broche. Insérer la broche dans la peau du cou, parallèle à la colonne vertébrale, ressortir juste au-dessus de la queue.
6. Placer une deuxième fourchette sur la broche et insérer les dents dans la poitrine et la queue. Vérifier l'équilibre. Serrer les vis.
7. Avec de la ficelle, attacher la queue à la broche, croiser les cuisses et attacher à la queue.

TROIS POULETS SUR UNE BROCHE



1. Avec une ficelle ou des brochettes, fixer les ailes au corps.
2. Placer une fourchette sur la broche. Placer les poulets sur la broche tel qu'indiqué sur le diagramme ci-dessus.
3. Enrouler une ficelle autour des queues et des cuisses. Fixer à la broche.
4. Placer la deuxième fourchette sur la broche et insérer les dents dans le poulet. Serrer les vis.

ENTRETIEN

ENTRETIEN RÉGULIER

Les composantes suivantes devraient être inspectées et nettoyées (au besoin) avant chaque utilisation du gril au gaz pour une performance optimale, sécuritaire et efficace.

GRILLES DE CUISSON EN ACIER INOXYDABLE

Brosser les grilles avec une brosse à gril à long manche pour déloger les débris. Ensuite, effectuer un brûlage (voir ci-dessous). Après le brûlage, pendant que le barbecue est encore chaud, brosser les grilles à nouveau pour enlever tout débris restant. **Comme le barbecue est chaud, faites preuve de prudence et utiliser des gants de cuisine pour manipuler la brosse.**

GRILLES DE CUISSON EN FONTE

Toutes les grilles de cuisson en fonte OMC sont revêtues d'un émail de porcelaine durable qui protège la grille et empêche les aliments de coller. Avec toutes les grilles de cuisson en fonte OMC, il n'est plus nécessaire d'allumer le barbecue à la puissance élevée après chaque utilisation pour brûler les résidus. Nous recommandons de laisser des résidus alimentaires sur les grilles et d'allumer le barbecue à puissance maximale (voir ci-dessous) avant l'utilisation; cela favorise la formation d'une couche d'huile protectrice sur les grilles, qui prévient l'apparition de la rouille et de la détérioration.

Les grilles de cuisson doivent être huilées avant chaque utilisation en les enduisant ou vaporisant d'huile d'olive ou végétale. Assurer que toute la surface des grilles est recouverte d'une mince couche d'huile. Ceci aide à prévenir la rouille et la détérioration. Si vous apercevez de la rouille, gratter doucement avec un tampon à récurer et huiler généreusement. Durant de longues périodes d'inutilisation, les grilles devraient être huilées, essuyées et entreposées dans un endroit sec. Avant la première utilisation ou après de longues périodes d'entreposage, les grilles devraient être nettoyées (voir Grilles de cuisson, à droite), bien essuyées et huilées généreusement avec un shortening végétal ou de l'huile végétale ou d'olive.

FLAV-R-WAVE™

Si des résidus s'accumulent sur le Flav-R-Wave™, enlever les grilles de cuisson et gratter les résidus sur le Flav-R-Wave™ avec votre brosse à barbecue.

PLATEAU À GRAISSE

Le plateau à graisse est situé directement sous le drain d'où s'égoutte la graisse. Il est accessible par le côté ou l'arrière du barbecue et devrait être nettoyé ou remplacé régulièrement pour éviter que la graisse excédentaire ne s'écoule sur votre patio.

NETTOYAGE GÉNÉRAL

Effectuer un brûlage (voir ci-dessous). Quand le barbecue est froid, enlever les grilles, nettoyer le Flav-R-Wave en grattant, puis l'enlever. Si nécessaire, nettoyer l'intérieur du barbecue au gaz en grattant les côtés et le fond du boîtier et passer l'aspirateur.

BRÛLAGE

Allumer les brûleurs, voir "Brûlage" (page 18). Faire fonctionner le gril à HIGH, couvercle fermé, pendant 10 minutes ou jusqu'à ce qu'il n'y ait plus de fumée. Fermer la source de gaz et tourner les boutons de contrôle à OFF.

ENTRETIEN ANNUEL

Les composantes suivantes doivent être inspectées et nettoyées au moins une fois par an ou après toute période d'entreposage de plus de 30 jours pour une performance optimale, sécuritaire et efficace.

BRÛLEUR

Enlever le brûleur et examiner pour des signes de détérioration ou fissures. Nettoyer les tubes venturi à l'aide d'une tige ou d'une brosse à venturi pour éliminer les blocages. Voir "Tubes venturi" (page 16). Pendant que le brûleur est enlevé, nettoyer l'intérieur du boîtier en grattant les côtés et le fond et ensuite passer l'aspirateur.

TUYAU

Examiner et remplacer, au besoin. Voir "Alimentation du gaz". (Page 15)

FINI EXTÉRIEUR

Si des taches d'oxydation blanches apparaissent, laver l'extérieur du boîtier avec de l'eau et un détergent doux. Bien rincer les surfaces et les essuyer avec un chiffon imbibé d'huile de cuisson pour leur redonner leur lustre. Pour réparer les égratignures ou les marques sur la peinture, retoucher avec une peinture à pulvériser de bonne qualité pour surfaces à HAUTE température (600°F). La rouille est un processus d'oxydation naturel qui peut apparaître sur les grilles de cuisson et les composantes d'acier. Elle n'affectera pas la performance à court terme de votre gril.

ACIER INOXYDABLE

Laver avec une solution d'eau savonneuse. Utiliser un nettoyant à inox pour polir et enlever les taches ou les marques. Les conditions atmosphériques et la chaleur extrême peuvent décolorer le couvercle en acier inoxydable au brun clair. Cette décoloration n'est pas considérée un défaut de fabrication.

COMPOSANTES EN RÉSINE ET TABLETTES LATÉRALES

Nettoyer avec de l'eau savonneuse.

PIÈCES DE RECHANGE

Si un problème survient avec le régulateur, le tuyau, les brûleurs, ou les boutons de contrôle, ne tentez pas de les réparer. Pour toute réparation ou pièce de rechange, voir votre détaillant ou un centre de réparation approuvé, ou communiquer avec le fabricant. Pour une performance optimale, n'utilisez que les pièces de rechange OMC.

TEST D'ÉTANCHÉITÉ

Quand vous rebranchez du gaz, vérifier s'il y a des fuites. Voir "Contrôle des fuites". (Page 17)

GRILLES DE CUISSON

Pour nettoyer les grilles en acier inoxydable ou en fonte, utiliser de l'eau savonneuse, rincer et sécher avec un essuie-tout; ne jamais sécher les grilles à l'air ou les mettre au lave-vaisselle. Pour les grilles en fonte, huiler généreusement (voir "Grilles de cuisson en fonte", à gauche) après le nettoyage.

DÉPANNAGE

PROBLÈME	CAUSE POSSIBLE	MESURE CORRECTIVE
ODEUR DE GAZ.	FERMER IMMÉDIATEMENT LE GAZ À LA SOURCE. NE PAS UTILISER L'APPAREIL JUSQU'À CE QUE LA FUITE SOIT SCELLÉE.	
Fuite détectée dans une connexion.	<ol style="list-style-type: none"> 1. Accouplement de débranchement rapide pas scellé complètement. 2. Fuite de gaz dans une connexion. 3. Fuite de gaz dans une soupape de tuyau ou contrôle. 	<ol style="list-style-type: none"> 1. Retirer et rattacher l'accouplement. 2. Serrer la connexion et contrôler les fuites. 3. Voir Centre de service autorisé.
Il y a une flamme causé par un flux sous le panneau de	<ol style="list-style-type: none"> 1. Venturi bloqué. 	<ol style="list-style-type: none"> 1. Enlever le brûleur, nettoyer le venturi, voir "Tubes Venturi" (page 16).
Les brûleurs ne s'allument pas.	<ol style="list-style-type: none"> 1. Soupape de gaz fermée. 2. Problème avec le bouton d'allumage. 3. Venturi bloqué ou non aligné avec l'orifice de la soupape. 4. Orifice(s) bloqué(s). 5. Tuyau tordu. 	<ol style="list-style-type: none"> 1. Ouvrir soupape de gaz. 2. Tenter d'allumer manuellement le brûleur avec une allumette. Voir "Allumage" (page 18). Si le brûleur s'allume, le bouton d'allumage fait défaut. Voir "Bouton d'allumage ne fonctionne pas" ci-dessous. 3. Enlever le brûleur, nettoyer le venturi et réaligner avec l'orifice de la soupape. Voir la page 16. 4. Enlever le brûleur et nettoyer les orifices avec une aiguille ou un fil en métal. N'utilisez pas une perceuse. 5. Redresser le tuyau. Éloigner du fond du boîtier.
Le bouton d'allumage ne fonctionne pas.	<ol style="list-style-type: none"> 1. La pile du bouton d'allumage ne fonctionne plus. 2. Les fils du bouton d'allumage ne sont pas branchés. 3. L'électrode n'est pas bien alignée sur le brûleur. 4. Le bouton d'allumage ne fonctionne pas. 	<ol style="list-style-type: none"> 1. Remplacer la pile. 2. Vérifier que les fils de l'électrode du brûleur principal et du brûleur latéral sont connectés. 3. Réaligner l'électrode et enlever tout débris de l'espace. 4. Voir "Allumer le brûleur avec une allumette" (Page 18).
Chaleur moins intense, crépitements.	<ol style="list-style-type: none"> 1. Venturi bloqué. 	<ol style="list-style-type: none"> 1. Enlever le brûleur et nettoyer le venturi. Voir "Tubes venturi" (Page 16).
Sections chaudes sur la surface de cuisson.	<ol style="list-style-type: none"> 1. Venturi bloqué. 2. Débris accumulés sur le Flav-R-Wave. 	<ol style="list-style-type: none"> 1. Enlever le brûleur et nettoyer le venturi. Voir "Tubes venturi" (Page 16). 2. Gratter le Flav-R-Wave et passer l'aspirateur.
Flambées ou feux de graisse.	<ol style="list-style-type: none"> 1. Accumulation excessive de graisse sur le vaporisateur ou dans le boîtier du gril. 2. Chaleur excessive. 	<ol style="list-style-type: none"> 1. Bien gratter le Flav-R-Wave et l'intérieur du boîtier et passer l'aspirateur pour enlever les débris. 2. Tourner les boutons de contrôle à une température inférieure.
Flamme jaune.	<ol style="list-style-type: none"> 1. Il est normal d'apercevoir un peu de flammes jaunes mais en quantité excessive, il est possible que le venturi soit bloqué. 2. Orifices du brûleur bloqués. 	<ol style="list-style-type: none"> 1. Enlever le brûleur et nettoyer le venturi. Voir "Tubes venturi" (page 16). 2. Enlever le brûleur et nettoyer avec une brosse à soies souples (ex: brosse à dent).
L'intérieur du couvercle semble peler.	<ol style="list-style-type: none"> 1. Une accumulation de graisse. L'intérieur du boîtier n'est pas peint donc il ne peut pas 	<ol style="list-style-type: none"> 1. Nettoyer avec une brosse à poils rigides ou un grattoir.
Rouille sur les grilles de	<ol style="list-style-type: none"> 1. L'émail s'est écaillé. 	<ol style="list-style-type: none"> 1. Voir "Entretien" (page 22).
L'éclairage du panneau de commande ou du four ne fonctionne pas.	<ol style="list-style-type: none"> 1. L'appareil n'est pas raccordé à la source d'alimentation. 2. Convertisseur défectueux. 3. Raccords desserrés ou corrodés. 4. Ampoule brûlée. 	<ol style="list-style-type: none"> 1. Raccordez le cordon électrique avec disjoncteur de mise à la terre à l'appareil. Branchez l'appareil dans une prise électrique fonctionnelle. 2. Vérifiez que le débit du convertisseur est 12 V.c.a. Remplacez au besoin. 3. Nettoyez les raccords et assurez-vous que tous les connecteurs sont solidement comprimés. 4. Remplacez les ampoules.

GARANTIE

La garantie d'OMC entre en vigueur à compter de la date d'achat, et se limite à la réparation ou au remplacement gratuit(e) des pièces qui s'avèrent être défectueuses sous des conditions d'utilisation domestique normales.

Au Canada et aux États-Unis, les pièces de remplacement sont expédiées FOB usine.

Dans tous les autres pays, elles sont expédiées FOB le Distributeur OMC (veuillez consulter votre concessionnaire pour le nom du distributeur OMC). Tous les autres coûts sont la responsabilité du propriétaire. Cette garantie n'est accordée qu'à l'acheteur original indiqué sur le formulaire d'enregistrement de la garantie, et ne s'applique qu'aux produits vendus au détail et utilisés dans le pays d'achat. (Les différents types d'alimentation en gaz nécessitent de différents régulateurs, valves et orifices).

CE QUI EST COUVERT PAR LA GARANTIE

	IMPERIAL / REGAL / SOVEREIGN	BARON / SIGNET / MONARCH	CROWN	ROYAL / GEM
COMPOSANTES DU COUVERCLE EN ACIER INOXYDABLE	Vie	Vie		
COMPOSANTES DU COUVERCLE EN PORCELAINE	Vie	Vie	2 Ans	
COMPOSANTES DE LA CHAMBRE DE CUISSON EN FONTE D'ALUMINIUM	Vie	Vie	Vie	Vie
CHAMBRE DE CUISSON EN ACIER INOXYDABLE	Vie			
CHAMBRE DE CUISSON EN ACIER ÉMAILLÉ DE PORCELAINE		10 Ans	2 Ans	
GRILLES EN ACIER ÉMAILLÉ DE PORCELAINE				2 Ans
GRILLES EN FONTE	2 Ans	2 Ans	2 Ans	
GRILLES EN ACIER INOXYDABLE	5 Ans	5 Ans		2 Ans
FLAV-R-WAVE / CHAMBRE DE CHAUFFAGE EN ACIER INOXYDABLE	5 Ans	3 Ans	3 Ans	2 Ans
BRÛLEURS EN TUBE	10 Ans	10 Ans	5 Ans	5 Ans
BRÛLEUR ARRIÈRE	10 Ans	10 Ans		3 Ans
BRÛLEUR LATÉRAL	2 Ans	2 Ans		
COMPOSANTES DU CHARIOT EN ACIER INOXYDABLE	5 Ans	5 Ans	2 Ans	
PIÈCES RESTANTES ET PEINTURE	2 Ans	2 Ans	2 Ans	2 Ans

CE QUI N'EST PAS COUVERT PAR LA GARANTIE

Toutes défaillances ou difficultés au niveau du fonctionnement causées par un accident, l'abus, une mauvaise utilisation, une modification, une mauvaise application, le vandalisme, une mauvaise installation, l'entretien/le service incorrect, ou un manquement à fournir l'entretien régulier, y compris sans limitations les dommages causés par les insectes dans les brûleurs, tel qu'indiqué dans le guide de l'utilisateur.

La détérioration ou les dommages causés par les intempéries telles que la grêle, les ouragans, les tremblements de terre ou les tornades, la décoloration suite à l'exposition directe ou indirecte aux produits chimiques.

Coûts d'expédition ou de transport.
Coûts d'enlèvement ou de réinstallation.
Coûts de main d'œuvre pour l'installation et les réparations.
Coûts des appels de service.
Responsabilité pour les dommages indirects ou consécutifs.

Les grils à gaz prévus pour l'usage comme aménagement commun ou les grils à gaz non directement utilisés et entretenus par l'acheteur.

PIÈCES DE REMPLACEMENT

Les "pièces de remplacement OMC véritables" doivent toujours être utilisées en cas de remplacement. L'installation de différentes pièces annulera automatiquement la garantie ci-dessus.

BRÛLEURS

La durée de vie des brûleurs OMC (fabriqués d'acier inoxydable) dépend presque totalement d'une utilisation correcte et d'un bon nettoyage et entretien. Cette garantie ne protège pas contre l'utilisation et l'entretien incorrects. Veuillez consulter la page 22 pour des directives d'entretien des brûleurs.

GRILLES DE CUISSON REVÊTUES DE PORCELAINE

Toutes les grilles de cuisson en fonte d'OMC sont revêtues de porcelaine émaillée pour faciliter le nettoyage et réduire l'adhésion des aliments sur la grille. La porcelaine agit essentiellement d'un revêtement en verre. Une mauvaise manipulation peut causer l'écaillage de cette finition. Ceci n'affectera pas le fonctionnement ni la performance des grilles. La garantie ne protège pas contre l'écaillage ou la rouille des grilles en raison d'une mauvaise manipulation. Veuillez consulter la section "Entretien" à la page 22 pour les directives d'entretien et de nettoyage.

SYSTÈMES DE VAPORISATION

Les grils à gaz OMC sont conçus pour l'utilisation avec les systèmes de vaporisation Flav-R-Wave™. L'usage de tout autre produit annulera la garantie.

FLAV-R-WAVE™

Les composants Flav-R-Wave™ sont garantis contre tout défaut de matériel ou la rouille pendant 3 ans sur les modèles Monarch, Signet et Baron, pendant 5 ans sur les modèles Sovereign, Regal et Imperial, et pendant 2 ans sur tous les autres modèles, à compter de la date d'achat. La rouille superficielle n'affectera pas la performance des composants Flav-R-Wave™, et elle n'est pas couverte par la garantie. Veuillez consulter la section "Entretien" à la page 22 pour les directives d'entretien des composants Flav-R-Wave™.

TRANSPORT

L'expédition est offerte gratuitement pour les commandes de garantie envoyées dans les trois (3) mois qui suivent la date d'achat. Après cette période, un frais d'expédition s'appliquera à toutes les commandes de garantie.

ENREGISTREZ VOTRE GRIL

Vous pouvez enregistrer la garantie de votre gril en ligne sur www.omcbbq.com ou en composant le 1-800-265-2150.

RÉCLAMATIONS DE GARANTIE

Toutes les réclamations de garantie sont traitées directement par OMC. Les pièces doivent être renvoyées au Service de la garantie d'OMC, les frais d'expédition prépayés, accompagnées du no de modèle et de série, et si votre gril n'est pas enregistré, de la preuve d'achat (copie du reçu de vente ou de la facture). Dans le cas où l'inspection confirme une défaillance, OMC réparera ou remplacera la pièce en question selon les provisions de la garantie. Sur la réception d'une lettre ou d'une télécopie (non par téléphone) et à sa propre discrétion, OMC peut choisir de ne pas exiger le renvoi des pièces.

RÉSIDENTS NON AMÉRICAINS/CANADIENS

La garantie ci-dessus est administrée par le distributeur OMC dans votre pays. Veuillez contacter le détaillant pour savoir le nom de votre distributeur OMC.

Broil King®

MANUAL DEL USUARIO

PARA USAR CON GAS NATURAL



ANSI Z21.58-2015 / CSA 1.6-2015

ÍNDICE

SEGURIDAD	26
INSTALACIÓN	26
GAS NATURAL.....	27
TUBO DEL GAS.....	27
TUBOS VENTURI	28
PRUEBA DE FUGAS	29
ENCENDIDO	30
FUNCIONAMIENTO	31
TÉCNICAS DE COCCIÓN	31
MANTENIMIENTO	34
DIAGNÓSTICO DE PROBLEMAS	35
GARANTÍA.....	36

NOTA PARA EL INSTALADOR: ESTAS INSTRUCCIONES DEBE DEJARSE CON EL CONSUMIDOR.



PELIGRO

SI SIENTE OLOR A GAS:

1. CORTE EL SUMINISTRO DE GAS DEL ARTEFACTO
2. APAGUE TODAS LAS LLAMAS EXPUESTAS
3. ABRA LA TAPA
4. SI EL OLOR PERSISTE, MANTÉNGASE A DISTANCIA DEL ARTEFACTO Y LLAME INMEDIATAMENTE A SU PROVEEDOR DE GAS O A LOS BOMBEROS



ADVERTENCIA

1. NO ALMACENE NI UTILICE GASOLINA NI OTROS LÍQUIDOS NI VAPORES INFLAMABLES EN LAS PROXIMIDADES DE ESTA PARRILLA

INTRODUZCA AQUÍ SU NÚMERO DE MODELO, NÚMERO DE SERIE Y FECHA DE COMPRA.

Esta información puede encontrarse en la etiqueta de advertencia negra y plateada de OMC que se encuentra en la parte posterior o lateral de su parrilla a gas.

Número de modelo					-				
Número de serie			-						
Fecha de Compra			/			/			
			dd			mm	aaaa		

LEA CUIDADOSAMENTE TODAS LAS INSTRUCCIONES ANTES DE UTILIZAR SU PARRILLA A GAS. GUARDE ESTAS INSTRUCCIONES PARA REFERENCIA FUTURA.



SINCE 1906
MANUFACTURING COMPANY
LIMITED
585 KUMPF DRIVE
WATERLOO, ONTARIO, CANADA
N2V 1K3

SEGURIDAD

Su nueva parrilla a gas OMC es un artefacto seguro y práctico si se arma y se usa correctamente. Sin embargo, como sucede con todo artefacto que funciona con gas, es necesario respetar ciertas medidas de seguridad al utilizarlo. **No seguir estas medidas de seguridad podría causar heridas o daños graves.** Si tiene alguna pregunta sobre el montaje o utilización de la parrilla, consulte a su distribuidor, a un especialista en artefactos a gas, a la compañía de gas o llame a nuestro servicio de atención al cliente al 1-800-265-2150. / info@omcbbq.com

CUIDADO

- **SÓLO PARA USO EN EXTERIORES.**
- **ESTE ARTEFACTO NO PUEDE DEJARSE FUNCIONANDO SIN ATENDERLO.**
- **DEBE PONERSE ESPECIAL CUIDADO EN MANTENER A LOS NIÑOS PEQUEÑOS ALEJADOS DE LAS SUPERFICIES CALIENTES.**

Tenga cuidado al manejar o transportar este producto. Los bordes de metal pueden ser peligrosos. Utilice los guantes adecuados para levantar o manipular el artefacto. Antes de levantarlo, retire los estantes, rejillas y parrillas.

PRECAUCIONES ELÉCTRICAS

1. Si en combinación con este artefacto utiliza cualquier accesorio que necesite una fuente externa de alimentación de corriente, deberá instalar dicho accesorio con una toma eléctrica a tierra, de acuerdo con los códigos locales. Si no hubiese códigos locales, guíese por las siguientes normas:

(EE.UU.) ANSI/NFPA No. 70- Última edición y (Canadá) CSA C22.1 Código eléctrico de Canadá

2. No corte ni desconecte la toma a tierra del enchufe.
3. Mantenga el cable de alimentación y la manguera del combustible alejados de toda superficie caliente.

ADVERTENCIA SEGÚN LA LEY 65

Al manipular el bronce que contiene este producto, usted se está exponiendo al plomo, un producto químico que de acuerdo con el Estado de California produce cáncer, defectos de nacimiento y otros daños reproductivos. **LÁVESE LAS MANOS LUEGO DE MANIPULAR ESTE PRODUCTO.**

ADVERTENCIA

El combustible utilizado en artefactos que queman gas o aceite y los productos de dicha combustión contienen productos químicos que de acuerdo con el Estado de California producen cáncer, defectos de nacimiento y otros daños reproductivos. Esta advertencia se emite de acuerdo con lo establecido por el Código Sanitario y de Seguridad de California, Sección 25249.6

INSTALACIÓN

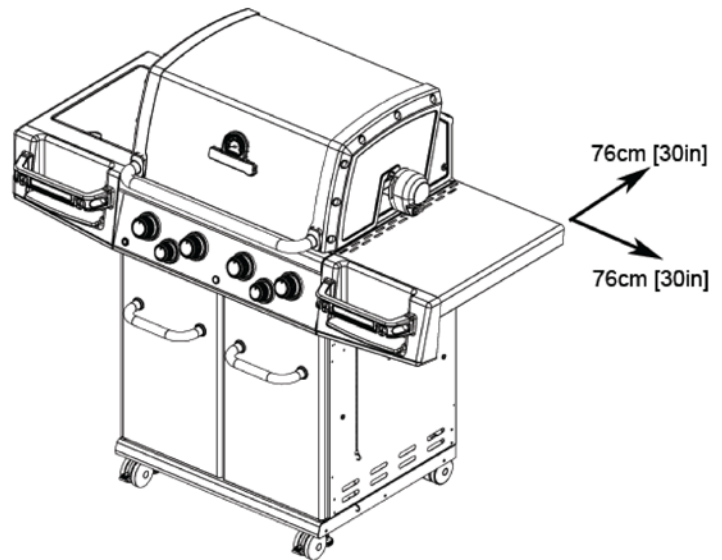
1. En U.S.A., este artefacto debe instalarse de acuerdo con los códigos locales y con los códigos nacionales pertinentes:

ANSI Z223.1/NFPA 54 - Última edición del Código nacional del gas combustible y los códigos locales más recientes, según corresponda.

2. En Canadá, este artefacto debe instalarse de acuerdo con los códigos locales y con las normas CSA pertinentes:

CSA-B149.1 Código de instalación de gas natural y propano

3. El artefacto debe ubicarse lejos de superficies combustibles, alejado de estas como mínimo 76 cm / 30 pulgadas por cada lado, y 76 cm / 30 pulgadas de la parte posterior.



4. **No utilice** este artefacto dentro de ninguna construcción techada ni debajo de follaje.
5. Este artefacto es para **USO EXCLUSIVO EN EXTERIORES**, **NO** lo utilice en garajes, galpones, balcones ni en ningún otro tipo de área cerrada.
6. **NO** limite el flujo de aire que circula alrededor del artefacto.
7. Mantenga el área que rodea al artefacto libre de materiales combustibles, gasolina, y de cualquier otro líquido o vapor inflamable.
8. Este artefacto no está diseñado para ser instalado en vehículos recreativos ni en embarcaciones.

GAS NATURAL

1. Esta parrilla ha sido diseñada para ser utilizada con gas natural. No utilice gas propano líquido (cilindro de gas). Las válvulas, los orificios de las válvulas y los tubos son para gas natural únicamente.
2. No utilice esta parrilla con carbón.
3. En el sistema de tubería del suministro de gas se debe utilizar una válvula de cierre.
4. Cuando el artefacto no está en uso, cierre la válvula de cierre para desconectar el suministro del gas natural.
5. El artefacto ha sido diseñado para operar a una presión regulada de 7 pulgadas de columna de agua (W.C.).

ALMACENAMIENTO

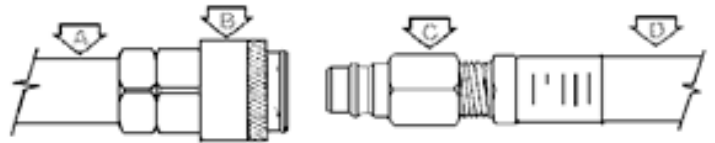
1. Cuando la parrilla no está en uso, el gas se debe apagar en la conexión del suministro de gas natural.
2. Si la parrilla se guarda en un lugar cerrado, el suministro de gas se debe desconectar.

PRUEBA DE SUMINISTRO DE GAS

1. La parrilla a gas para exteriores y su válvula de cierre individual deben desconectarse del sistema de tubería del suministro de gas cuando se realicen pruebas de presión de dicho sistema en presiones de prueba que superen 1/2 psig (3.5 kPa).
2. Se debe cerrar la válvula de cierre individual de la parrilla a gas para exteriores a fin de separarla del sistema de tubería del suministro de gas cuando se realizan pruebas de presión del sistema de tubería del suministro de gas en presiones de prueba iguales o menores que 1/2 psig (3.5 kPa).

TUBO DEL GAS

1. En los modelos que incluyen una manguera de extensión, el ensamblaje de la manguera incluido ha sido específicamente diseñado para dicho modelo de artefacto. No intente modificar ni reemplazar ninguna pieza. La manguera y los acoplamientos de la manguera cumplen con la norma canadiense CGA 1.83.
2. En los modelos equipados con el racor de desconexión rápida, cierre la "válvula de cierre" antes de desconectar el acoplamiento.
3. El racor de desconexión rápida se debe mantener limpio y sin suciedad ni basura.
4. Proteja la manguera de la grasa que pueda gotear y no permita que la manguera entre en contacto con superficies calientes, incluso con el compartimiento base de la parrilla.
5. Inspeccione la manguera al menos una vez al año. Si la manguera tiene grietas, cortes, fisuras o abrasiones, el aparato no se debe utilizar.
6. Para cambiar el ensamblaje de la manguera, póngase en contacto con su representante comercial o centro de servicio de reparaciones aprobado.



- A. TUBO DE SUMINISTRO DE GAS
- B. RACOR DE DESCONEXIÓN RÁPIDA
- C. ADAPTADOR
- D. ENSAMBLAJE DE LA MANGUERA DE EXTENSIÓN

TUBOS VENTURI

Siempre mantenga limpios los tubos Venturi. Las obstrucciones en los tubos Venturi provocadas por arañas, insectos y nidos pueden desencadenar retornos de llamas. De hecho, aunque la parrilla a gas pueda encender todavía, el gas retenido puede encenderse y desatar llamas alrededor de los tubos Venturi en el panel de control o en el quemador lateral.



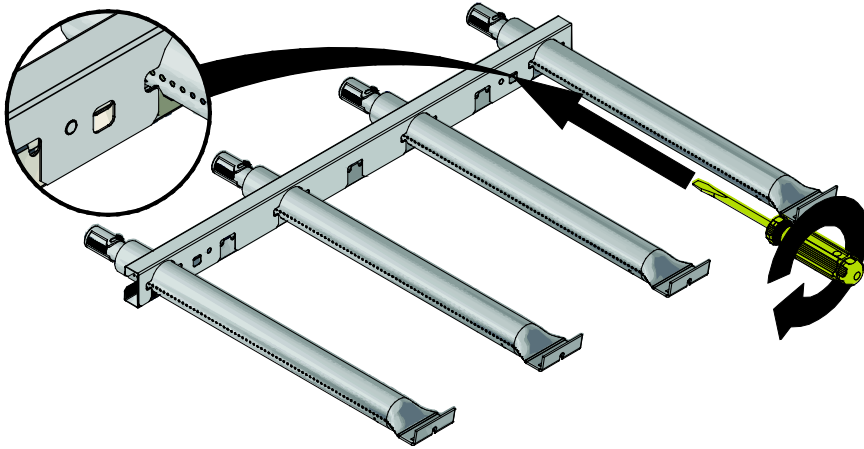
TUBO VENTURI TELARAÑA QUEMADOR DEL TUBO
Si se produce un retorno de llamas, corte el suministro de la fuente de gas inmediatamente.

Revise y limpie los tubos Venturi (quemador principal, quemador lateral, quemador posterior) si se presenta cualquiera de las siguientes señales:

1. Siente olor a gas.
2. Su parrilla a gas no gana temperatura.
3. Su parrilla se calienta de manera irregular.
4. Los quemadores emiten chasquidos.

INSPECCIÓN Y LIMPIEZA DE LOS TUBOS VENTURI

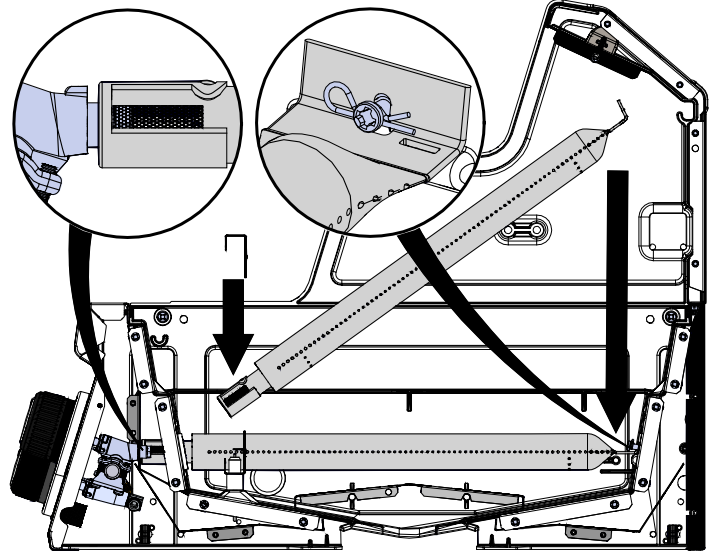
1. Corte el suministro de gas cerrando la válvula del cilindro de propano.
2. Cuando se enfríe la parrilla, saque los sujetadores del quemador y la parte superior de la caja recolectora. Saque los quemadores de la armazón de la parrilla a gas.



3. Limpie los tubos Venturi con un limpiador de tubos o con una herramienta de limpieza Venturi (Accesorio #77310 o #18270).



4. Vuelva a bajar el quemador hasta su ubicación en la caja de la parrilla a gas, asegurándose de que los tubos Venturi estén correctamente alineados y acoplados en los orificios.



5. Asegure los quemadores con sus sujetadores correspondientes. Vuelva a colocar en su lugar la cubierta de la caja recolectora.

PRUEBA DE FUGAS

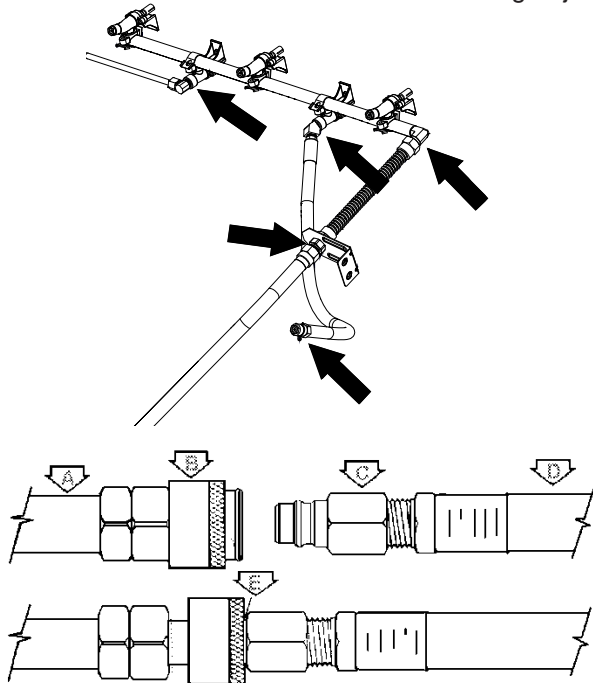
Todas las conexiones de fábrica se prueban rigurosamente para detectar fugas de gas. Sin embargo, durante su transporte y manejo puede aflojarse algún acople.

COMO PRECAUCIÓN DE SEGURIDAD:

- Compruebe todos los acoples para detectar si hay fugas antes de utilizar su parrilla a gas.
- Efectúe la comprobación de fugas cada vez que desconecte o vuelva a conectar un accesorio de conexión de gas, al menos una vez al año o después de no haber utilizado la parrilla durante algún de tiempo.
- No fume en ningún momento mientras realiza la comprobación.
- Nunca compruebe si hay una fuga con un fósforo encendido o una llama expuesta.
- Realice la prueba de fugas en un exterior.

TO TEST FOR LEAKS:

1. Apague cualquier llama expuesta o cigarrillo que haya en el área.
2. Asegúrese de que la válvula de cierre de gas y los controles de cada quemador estén apagados.
3. Prepare una solución jabonosa con una parte de agua y otra parte de detergente líquido.
4. Abra la válvula de cierre de gas.
5. Unte cada conexión con la solución de agua jabonosa.



- A. GAS SUPPLY PIPING
- B. QUICK DISCONNECT COUPLING
- C. ADAPTER FITTING
- D. EXTENSION HOSE ASSEMBLY
- E. LEAK TEST HERE

6. Las fugas pueden identificarse mediante la formación de burbujas en el área de la fuga.
7. Si se detecta una fuga, cierre la válvula de cierre del cilindro de gas, ajuste la conexión y vuelva a realizar la comprobación.
8. Si la fuga continúa, contacte a su proveedor de la parrilla de gas para obtener ayuda. No intente utilizar la parrilla si hay una fuga.

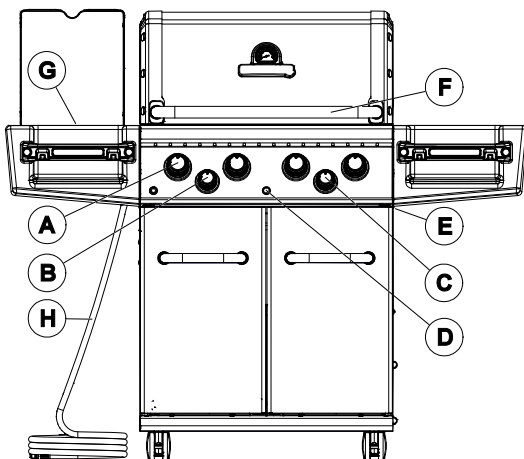
Si su parrilla a gas está equipada con un quemador lateral o posterior:

1. Siga los pasos anteriores del 1 y 4.
2. Coloque la yema del dedo sobre la apertura del orificio en el extremo de la manguera.
3. Haga girar el control "LATERAL"/"POSTERIOR" hasta "ALTA".
4. Unte solución jabonosa en cada conexión entre el orificio y la válvula de control.
5. Haga girar el control "LATERAL"/"POSTERIOR" hasta "APAGADO".

ENCENDIDO

COMPONENTES BÁSICOS DE LA PARRILLA A GAS

- A. Controles del quemador principal
- B. Control del quemador lateral
- C. Controles del quemador posterior
- D. Encendedor
- E. Orificio para encendido manual
- F. Mango
- G. Quemador lateral
- H. Tubo del gas



INSTRUCCIONES DE ENCENDIDO

1. El artefacto debe armarse de acuerdo con las instrucciones de montaje.
2. Verifique que el suministro de gas esté conectado correctamente
3. Asegúrese de que no haya fugas de gas en el sistema de suministro de gas. Ver: "Prueba de fugas" (Página 29)
4. Asegúrese de que los tubos Venturi estén correctamente colocados sobre los orificios de la válvula de gas. (Ver diagrama de Venturi, página 28)
5. Asegúrese de que los cables de encendido del Quemador principal y del Quemador lateral estén conectados.
6. Revise cuidadosamente todas las instrucciones que aparecen en la placa de información que viene fijada a la parrilla a gas.
7. **ADVERTENCIA: Abra siempre la cubierta antes de encender la parrilla y no se incline sobre esta mientras la enciende.**
8. Lleve las perillas de control hasta "APAGADO" y abra el suministro de gas.

ENCENDIDO DEL QUEMADOR PRINCIPAL:

- a. Levante la cubierta de la parrilla y déjela abierta hasta que encienda la parrilla.
- b. Compruebe que se ha instalado la batería en el encendedor electrónico.
- c. Presione y haga girar una perilla de control del quemador principal hacia "ALTA".
- d. Mantenga presionado el botón del encendedor o utilice un fósforo.
- e. El quemador debe encenderse en unos 5 segundos; si no se enciende en ese período de tiempo, cierre el suministro de la fuente de gas inmediatamente. Para encender el quemador con un fósforo avance hasta el paso f.
- f. Inserte un fósforo encendido a través del agujero de encendido situado en la parte inferior derecha de la caja cocción.
- g. Presione y haga girar a la derecha la perilla de control del quemador principal hacia "ALTA".
- h. El quemador debe encenderse en unos 5 segundos.
- i. Cuando se haya encendido el primer quemador, presione y haga girar la perilla adyacente de control del quemador principal hasta "ALTA" y luego vuelva a repetir a operación con los otros quemadores; estos quemadores deben encenderse automáticamente sin el encendedor .

Nota: Si hay viento, encienda cada quemador individualmente. Utilice el portafósforos para hacer descender un fósforo encendido para encender cada quemador.

ENCENDIDO DEL QUEMADOR LATERAL:

- a. Presione y haga girar la perilla de control del quemador lateral hacia "ALTA".
- b. Mantenga presionado el botón del encendedor.
- c. El quemador debe encenderse en unos 5 segundos. **Para encender el quemador con un fósforo avance hasta el paso d.**
- d. Acerque el fósforo encendido a los puertos del quemador.
- e. Presione hacia adentro la perilla de control del quemador lateral y hágala girar hacia "ALTA".
- f. El quemador debe encenderse en unos 5 segundos.

Nota: Las ollas que se coloquen en el quemador lateral no deben sobrepasar las 23 cm (9 pulgadas) de diámetro ni las 7 kg (15 libras) de peso.

ENCENDIDO DEL QUEMADOR POSTERIOR PARA ROSTIZAR:

Advertencia: no haga funcionar el quemador principal y el quemador posterior al mismo tiempo.

- a. El quemador posterior debe estar en su lugar antes de accionar la perilla de control.
- b. **SAQUE EL ESTANTE PARA CALENTAR.**
- c. Presione y haga girar la perilla de control del quemador posterior hacia "ALTA".
- d. Mantenga presionado el botón del encendedor.
- e. El quemador debe encenderse en unos 5 segundos. Para encender el quemador con un fósforo avance hasta el paso f.
- f. Acerque el fósforo encendido a los puertos del quemador.
- g. Presione hacia adentro la perilla de control del quemador posterior y hágala girar hacia "ALTA".
- h. El quemador debe encenderse en unos 5 segundos.

CUIDADO - Revise su parrilla a gas antes de encenderla.

Todos los puertos de los quemadores deben mostrar una llama de 2,5 cm / 1 pulgada en "ALTA".



Si se presenta cualquiera de los siguientes síntomas, significa que probablemente hay un atasco en los tubos Venturi. Cierre inmediatamente el suministro de gas y limpie los tubos Venturi. Ver "Tubos Venturi". (Página 28)

1. **Siente olor a gas.**
2. **Se produce un retorno de llamas.**
3. **Su parrilla se calienta de manera irregular.**
4. **Los quemadores emiten chasquidos.**

SI EL QUEMADOR NO SE ENCIENDE:

1. Presione y haga girar la perilla de control hacia "APAGADO". Espere 5 minutos y vuelva a intentarlo con la perilla de control en "MEDIA".
2. Si no se enciende ningún quemador, vea el "Diagnóstico de problemas" en la página 35. Si el problema persiste, no intente utilizar el artefacto; póngase en contacto con OMC, con su proveedor o con un centro de servicios autorizado.

APAGADO:

1. Cierre la válvula del cilindro.
2. Gire las perillas de control hacia "APAGADO".

⚠ ADVERTENCIA

NUNCA cubra ranuras, agujeros o pasajes en el fondo del horno o cubra un estante entero con material tal como papel de aluminio. Hacerlo bloquea el flujo de aire a través del horno y puede causar intoxicación por monóxido de carbono.

Los revestimientos de aluminio pueden retener el calor causando un riesgo de incendio.

Uso por primera vez: Antes de cocinar por primera vez en su parrilla a gas, enciéndala para deshacerse de cualquier olor o materia extraña de la siguiente forma:

1. Con las rejillas de cocción colocadas en su lugar, encienda la parrilla a gas siguiendo las instrucciones de encendido (ver página 42) y déjela funcionar en "ALTA" entre 10 y 15 minutos. A continuación, cierre el suministro de la fuente de gas y haga girar todas las perillas de control a la posición de "APAGADO".
2. Cuando la parrilla se haya enfriado, acondicione bien las rejillas de cocción rociándolas o untándolas con aceite de oliva o aceite vegetal. Asegúrese de que toda la superficie esté abundantemente cubierta incluyendo las esquinas. En el caso de las rejillas de cocción de hierro fundido, el acondicionamiento debe realizarse cada vez que vaya a usar la parrilla.
3. Ya está todo listo para asar. Proceda a realizar el "Pre calentamiento".

Pre calentamiento: Precaliente la parrilla a gas en MEDIA/ALTA con la cubierta cerrada durante diez minutos. Reduzca la temperatura hasta un punto adecuado para lo que vaya a asar. Raspe firmemente pero con cuidado las rejillas con un cepillo de alambre para rejillas. A continuación, unte o rocíe las rejillas con aceite vegetal o con aceite de oliva para evitar que los alimentos se peguen.

Posición de la cubierta: La posición de la cubierta durante la cocción es una cuestión de preferencia personal, pero la parrilla a gas cocina más rápido, consume menos gas y controla mejor la temperatura cuando la cubierta está cerrada. Mantener la cubierta cerrada también le infunde a la carne asada directamente sobre la rejilla un sabor más ahumado, y es esencial para asados ahumados o por convección.

Sistemas de vaporización: Su parrilla a gas está diseñada para utilizarse con el sistema de vaporización Flav-R-Wave™ suministrado con la misma. No utilice rocas de lava, briquetas cerámicas ni ningún otro sistema de vaporización que no sea el que se suministró con la parrilla a gas.

TEMPERATURAS DE COCCIÓN

Temperatura Alta: Produce temperaturas en la rejilla de cocción de aproximadamente 600 - 650°F (320 - 340° C). Utilice esta temperatura únicamente para calentamiento rápido o para quemar los residuos de alimentos de las rejillas de cocción cuando haya terminado de cocinar. Esta temperatura también es ideal para dorar los filetes antes de reducir la temperatura. En raras ocasiones, por no decir que nunca, se utiliza la temperatura ALTA para cocciones prolongadas.

Media/Alta: Produce temperaturas en la rejilla de cocción de aproximadamente 550°F (290°C). Utilice esta temperatura para calentar y para asar filetes y chuletas.

Media: Produce temperaturas en el interior de la parrilla a gas de aproximadamente 450° F (230°C) con la cubierta cerrada. Utilice esta temperatura para la mayoría de sus asados a la parrilla de pollo, hamburguesas y verduras, y también para asar y hornear.

Baja: Produce temperaturas dentro de la parrilla a gas de aproximadamente 310-350°F (155-175°C). Utilice esta temperatura para todos los ahumados, para grandes trozos de carne, pescados delicados y para masas y pastelillos, como por ejemplo para quesadillas.

Estas temperaturas son solo aproximadas y varían de acuerdo con la temperatura externa y con la cantidad de viento.

ASADO DIRECTO

El método de asado directo consiste en cocinar la comida en las rejillas directamente sobre un quemador encendido. El asado directo es el método más popular para cocinar alimentos de una sola pieza, como filetes, chuletas, pescado, hamburguesas, brochetas y verduras.

1. Prepare los alimentos de antemano para evitar demoras y problemas de tiempo. Si utiliza adobo o especias, debe añadirlos a la carne antes de colocarla en la rejilla de cocción. Si va a adobar con salsas, añádalas en los últimos 2-4 minutos del asado para evitar que se quemen.
2. Organice el área alrededor de la parrilla a gas de manera tal que tenga a mano pinches, pinzas, guantes para horno, salsas y condimentos, a fin de poder permanecer junto a la parrilla mientras está cocinando.
3. Antes de comenzar a asar, deje que la carne tome la temperatura ambiente. Elimine el exceso de grasa de la carne para minimizar las llamaradas que se producen cuando esta comienza a gotear.
4. Precaliente la parrilla a gas hasta la temperatura deseada con la cubierta cerrada.
5. Cubra las rejillas con aceite vegetal o de oliva para evitar que los alimentos se peguen a las rejillas.
6. Evite añadir sal cuando cocine carnes en la parrilla a gas. La carne se mantendrá más jugosa si añade la sal después de cocinada.
7. Para evitar que los filetes "se resequen", utilice pinzas en lugar de un tenedor y comience en temperatura "MEDIA/ALTA" para dorar la carne y sellar los jugos dentro de esta. Reduzca la temperatura y extienda el tiempo de cocción cuando ase trozos de carne más gruesos.
8. Aprenda a probar cuándo la carne está lista por el tiempo transcurrido y por su consistencia. La carne se vuelve más firme a medida que se cocina. Cuando la carne está blanda, está cruda. Cuando está firme, está bien cocida.
9. Siga la guía para el asado perfecto de filetes con la mayoría de las carnes, pescados, aves y verduras.

GUÍA PARA ASAR EL FILETE PERFECTO

COLOQUE EL FILETE EN ANGULO SOBRE LA PARRILLA CALIENTE.

DE LO VUELTA COMO SE INDICA A CONTINUACIÓN.

VUELVA A DAR VUELTA Y A ROTAR EL FILETE.

VUELVA A DAR VUELTA EL FILETE UNA VEZ MÁS.

Espesor de la carne		Ajuste de Calor	Tiempo por cada lado				Tiempo total
1 1/2"	1"		A	B	C	D	
	Poco hecho	Alto	1 3/4	1 3/4	1 3/4	1 3/4	7 minutos
	Jugoso	Medio/Alto	2	2	2	2	8 minutos
	Jugoso	Medio	2 1/4	2 1/4	2 1/4	2 1/4	9 minutos
	Mediano	Bien hecho	2 1/2	2 1/2	2 1/2	2 1/2	10 minutos
	Bien hecho	Mediano	3	3	3	3	12 minutos

TÉCNICAS DE COCCIÓN

GUÍA DE ASADO DIRECTO				
	1" DE ESPESOR	AJUSTE DE CALOR	TIEMPO POR CADA LADO	MINUTOS TOTALES
POLLO	MEDIO / BIEN HECHO	MEDIA / BAJA	4 / 4 / 4 / 4	16
ALAS DE POLLO	MEDIO / BIEN HECHO	MEDIA / BAJA	5 / 5 / 5 / 5	20
HAMBURGUESA	MEDIO	MEDIA / BAJA	3 / 3 / 3 / 3	12
HAMBURGUESA DE 3/4 PULG. CONGELADAS	MEDIO	MEDIA / BAJA	3 / 3 / 3 / 3	12
FILETE DE PESCADO	MEDIO	MEDIA	2 / 2 / 2 / 2	8 - 10
COLAS DE LANGOSTA CORTADAS	MEDIO	MEDIA	4 / 4 / 4 / 4	16 - 20

UTILICE LA MISMA TÉCNICA DE LA GUÍA DE ASADO PERFECTO DE FILETES. (PAGE 31)

COCCIÓN POR CONVECCIÓN INDIRECTA

Este método es ideal para cocinar trozos grandes de carne como asados o aves. Los alimentos se cocinan con el aire caliente que circula a su alrededor.

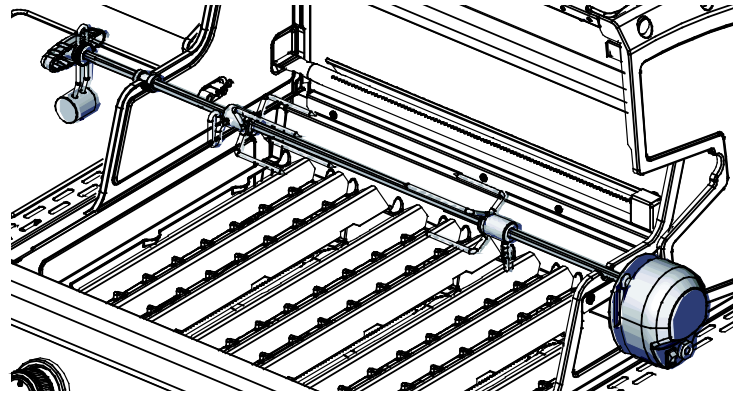
1. Para la mayoría de las aplicaciones de cocción por convección y sin rostizador, se recomienda utilizar una bandeja colectora para que el goteo caiga dentro de ella. Coloque la bandeja colectora sobre el Flav-R-Wave, debajo de los alimentos hacia el centro. Coloque entre media y una pulgada de agua en la bandeja colectora. También puede añadir jugo de frutas, vino o adobo para realzar el sabor. No deje que la bandeja colectora se quede sin líquido.
2. La cocción por convección sin un rostizador es mejor con la cubierta cerrada y temperatura baja. Todos los quemadores pueden ajustarse en baja o los quemadores externos pueden ajustarse a media y el/los quemador(es) del centro pueden apagarse. Apagar el quemador central evitará que ardan los jugos de la bandeja colectora.
3. Antes de colocar la carne en la parrilla a gas, recubra la carne con aceite vegetal. Así logrará dorar mejor la parte externa de la carne.
4. Cuando cocine sin bandeja colectora (algo que no es recomendable) debe poner mucha atención para evitar el riesgo de que se incendie la grasa.
5. Apague la parrilla a gas y deje que se enfríe antes de sacar la bandeja colectora. La grasa que gotea es muy inflamable y debe manejarse con cuidado para evitar heridas.
6. Para cocinar asados y carne de ave por convección sin un rostizador, coloque la carne en una parrilla asadora directamente sobre las rejillas.

GUÍA DE COCINA PARA CONVECCIÓN INDIRECTA Y ROSTIZADO			
ASADO DE RES	3 - 6 Lb.	MEDIA / BAJA	2 - 4 HRS
ASADO DE RES	6 - 10 Lb.	MEDIA / BAJA	3 - 5 HRS
ASADO DE CERDO	2 - 5 Lb.	MEDIA / BAJA	2 - 4 HRS
ASADO DE CERDO	6 - 10 Lb.	MEDIA / BAJA	3 - 5 HRS
PAVO O POLLO	2 - 5 Lb.	MEDIA / BAJA	2 - 4 HRS
PAVO O POLLO	5 - 10 Lb.	MEDIA / BAJA	3 - 5 HRS

CUANDO UTILICE UN QUEMADOR PARA ROSTIZAR, SELECCIONE LA TEMPERATURA MEDIA/ALTA

ROSTIZADO

Siga los pasos de cocción por convección indirecta que aparecen anteriormente.



1. El rostizador tiene capacidad para hasta 7 kg (15 libras) de carne con el factor limitante del espacio necesario para hacerla girar. Para obtener los mejores resultados, la carne debe centrarse en la línea central de la barra para eliminar desbalances.
2. El rostizador puede utilizarse con las rejillas de cocción en su lugar si el espacio lo permite.
3. Sujete firmemente la carne a la barra antes de colocarla en la parrilla a gas. Al asar aves, asegure bien las alas y los muslos.

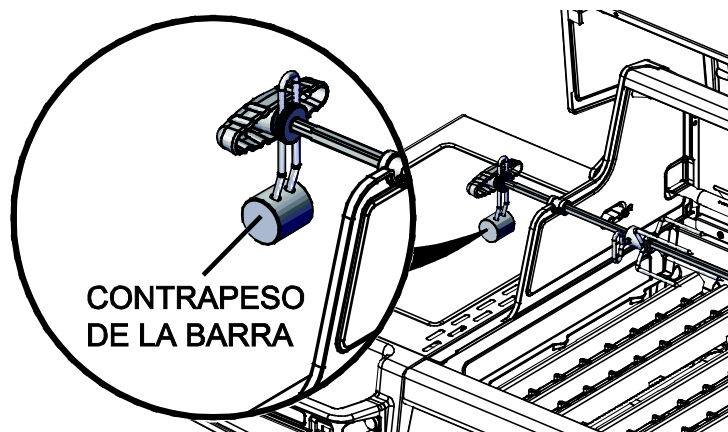
QUEMADOR POSTERIOR PARA ROSTIZAR

1. Algunos modelos vienen con un quemador posterior para rostizar. El método de rostizado con un quemador posterior es el mejor para cocinar asados y carne de aves. La fuente de calor queda situada detrás de la carne, con lo cual no hay riesgo de llamaradas causadas por el goteo de la grasa. Un plato o bandeja colectora situada debajo de la barra servirá para coleccionar los jugos para adobar o para preparar una salsa.
2. El quemador posterior cargado por resorte puede sacarse fácilmente cuando no se está usando.
3. Para saber cómo operar su quemador posterior, vea "Encendido del quemador posterior". (Página 30)

GUÍA DE TEMPERATURA DE LAS CARNES			
	POCO HECHA	MEDIA	BIEN HECHA
RES / CORDERO / TERNERA	130°F / 55°C	146°F / 63°C	160°F / 70°C
CERDO		150°F / 65°C	170°F / 77°C
AVES			170°F / 77°C
HAMBURGUESA			160°F / 70°C

PARA OBTENER LOS MEJORES RESULTADOS, UTILICE UN TERMÓMETRO PARA CARNES

TÉCNICAS DE COCCIÓN

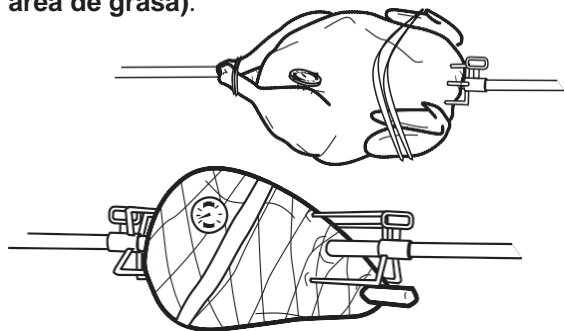


CONTRAPESO DE LA BARRA

1. Afloje el mango de la barra para que el contrapeso pueda girar libremente.
2. Coloque la barra rostizadora en las ranuras de caja de la parrilla a gas. Deje que el lado más pesado de la carne rote hacia abajo.
3. Ajuste el contrapeso a la parte superior de la barra, en el lugar opuesto al lado más pesado de la carne.
4. Ajuste el mango de la barra. Verifique periódicamente que la carne rote suavemente mientras se cocina. Ajuste el contrapeso de ser necesario. **ATENCIÓN: Utilice guantes para horno cuando ajuste el contrapeso.**

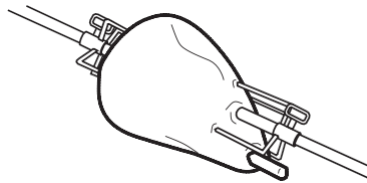
CÓMO UTILIZAR UN TERMÓMETRO DE SONDA

1. La forma precisa de determinar cuándo un trozo de carne grande está hecho es utilizar un termómetro de sonda. Inserte el termómetro inclinado de manera tal que la punta resistente de metal llegue a hacer contacto con el centro de la parte más gruesa de la carne. **Tenga cuidado de que no toque ni la barra ni el hueso, y de que la punta no esté en contacto con la grasa (sentirá mucho menos resistencia cuando sondee un área de grasa).**



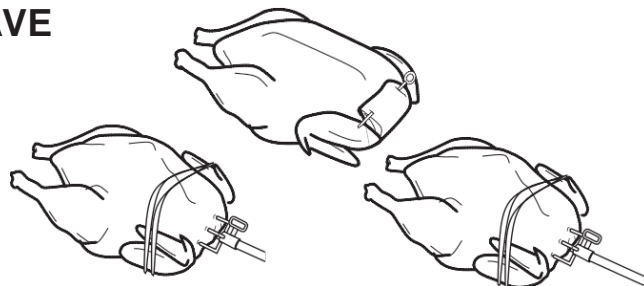
2. Cuando el termómetro muestre la temperatura deseada, la carne está lista. Añada sus salsas durante los últimos minutos de cocción y deje que la carne repose unos 15 minutos para que gane firmeza. Corte y sirva.
- Carne de ave: inserte la punta del termómetro en la parte más gruesa del muslo cerca del cuerpo.
 - Jamón o asados: inserte la punta del termómetro en el centro de la sección más pesada de la carne.

CÓMO USAR UNA BARRA - PIERNA DE CORDERO



1. Corte 3 pulgadas del hueso en el extremo pequeño de la pierna.
2. Deje carne alrededor del hueso para formar un pliegue.
3. Coloque un pinche en la barra.
4. Doble el pliegue hacia arriba y pase la barra a través del mismo y de la pierna.
5. Coloque el segundo pinche en la barra y clave los pinches en ambos extremos de la pierna. Verifique que quede balanceada. Ajuste los tornillos.

CÓMO USAR UNA BARRA - CARNE DE AVE



1. Con la pechuga hacia abajo, tire de la piel hacia arriba sobre la cavidad.
2. Gire los extremos inferiores de la piel, coloque el pinche en la piel de la parte de atrás.
3. Enrolle el hilo alrededor del pinche y átelo.
4. Gire la pechuga hacia arriba, ate o pinche las alas al cuerpo.
5. Coloque un pinche en la barra. Inserte la barra en la piel del cuello, paralela a la columna vertebral, haciendo que salga por encima de la cola.
6. Coloque el segundo pinche en la barra y clave los pinches en la pechuga y la cola. Verifique que quede balanceada. Ajuste los tornillos.
7. Ate la cola a la barra con hilo. Cruce los muslos y átelos a la cola.

TRES POLLOS EN UNA BARRA



1. Ate o pinche las alas al cuerpo.
2. Coloque un pinche en la barra. Coloque los pollos en la barra como se muestra en el diagrama anterior.
3. Enrolle el hilo alrededor de las colas y los muslos y átelo a la barra.
4. Coloque el segundo pinche en la barra y clave los pinches en los pollos. Ajuste los tornillos.

MANTENIMIENTO

MANTENIMIENTO REGULAR

Los siguientes componentes deben inspeccionarse y limpiarse (según sea necesario) antes de utilizar su parrilla a gas para garantizar un rendimiento, seguridad y eficiencia óptimos.

REJILLAS DE COCCIÓN DE ACERO INOXIDABLE

Cepille las rejillas con un cepillo de acero inoxidable de mango largo para eliminar los restos sueltos. A continuación, realice una Quema de residuos (ver a continuación). Después de dicha quema y mientras la parrilla está caliente todavía, vuelva a cepillar las rejillas para eliminar todos los restos que puedan quedar. Como la parrilla está caliente, tenga cuidado y utilice guantes de hornear para manipular el cepillo.

REJILLAS DE COCCIÓN DE HIERRO FUNDIDO

Todas las rejillas de cocción de hierro fundido de OMC están cubiertas con un acabado de esmalte de porcelana para protegerlas y reducir la tendencia de los alimentos a pegarse a ellas. En todas las rejillas de cocción de hierro fundido de OMC, en lugar de realizar una quema de residuos después de cada uso, le recomendamos dejar los residuos de comida en las parrillas y realizar una quema de residuos (ver a continuación) antes de cada uso; esto ayudará a construir una capa protectora de aceite en las rejillas y ayudará a evitar la corrosión y el deterioro.

Las rejillas de hierro fundido deben acondicionarse antes de cada uso untándolas o rociándolas con aceite vegetal o de oliva. Asegúrese de que toda la superficie de las rejillas esté cubierta por una capa fina de aceite. Esto ayuda a evitar la corrosión y el deterioro. Si llegan a oxidarse las rejillas, raspe el óxido suavemente con una esponja de limpiar y recúbrelas bien. Durante períodos más extensos de inactividad, las rejillas deben recubrirse, secarse y luego almacenarse en un lugar seco. Antes de utilizar las rejillas por primera vez y después de períodos de almacenamiento, deben lavarse (ver “Rejillas de cocción” a la derecha), secarse con toallas de papel y luego recubrirse bien con mantequilla vegetal o aceite de oliva / vegetal.

FLAV-R-WAVE

Si se acumulan residuos en el Flav-R-Wave, saque las rejillas de cocción y raspe los residuos del Flav-R-Wave con un cepillo para parrillas.

BANDEJA COLECTORA DE GRASA

La bandeja colectora de grasa se encuentra situada directamente debajo del agujero de drenaje que está en el fondo de la parrilla a gas. Se puede acceder a ella desde el lateral o desde la parte posterior del artefacto y deberá limpiarse y cambiarse regularmente para evitar que la grasa se desborde hacia su patio.

LIMPIEZA GENERAL

Realice una Quema de residuos (ver a continuación). Cuando la parrilla a gas se enfríe, saque las rejillas, raspe el Flav-R-Wave para limpiarlo y luego sáquelo. Limpie el interior de la parrilla a gas según sea necesario raspando los laterales y el fondo de la caja de cocción y aspirándola.

QUEMA DE RESIDUOS

Encienda los quemadores según se indica en la sección “Encendido” (página 30). Deje encendida la parrilla a gas en temperatura ALTA con la cubierta cerrada durante 10 minutos, o hasta que deje de salir humo. Cierre el suministro de la fuente de gas y haga girar las perillas de control a la posición de “APAGADO”.

QUEMA DE RESIDUOS

Los siguientes componentes deben inspeccionarse y limpiarse al menos una vez al año o después de períodos de almacenamiento de más de 30 días para garantizar un rendimiento, seguridad y eficiencia óptimos.

QUEMADOR

Saque el quemador e inspeccione si presenta rajaduras o deterioro. Limpie los tubos Venturi utilizando un limpiador de tubos o un cepillo Venturi para eliminar cualquier obstrucción. Ver “Tubos Venturi” (página 28). Cuando saque el quemador, limpie el interior de la caja de cocción raspando los laterales y el fondo y aspirándola.

MANGUERA

Inspecciónela y reemplácela si es necesario. Vea “Tubo del gas” (Página 27).

ACABADO EXTERNO

Si aparecen puntos blancos de óxido, lave la caja de cocción por fuera con una solución de agua y jabón. Enjuague bien las superficies y luego límpielas utilizando un paño humedecido en aceite de cocina para devolverles el brillo. Para reparar rayones de la pintura, utilice un aerosol de pintura de ALTA temperatura (600°F) de buena calidad para retocarla. La oxidación es un proceso natural y puede presentarse en partes de hierro fundido y acero. El óxido no afectará el rendimiento a corto plazo de su parrilla.

ACERO INOXIDABLE

Lávelo con agua y jabón. Utilice un limpiador de acero inoxidable para pulir y eliminar las manchas o marcas (Accesorio #70395 o #44395). El desgaste y el calor extremo pueden hacer que la cubierta de acero inoxidable tome un color bronceado. Se trata de una decoloración y no se considera un defecto de fabricación.

COMPONENTES DE RESINA Y ESTANTES LATERALES

Lávelos con agua y jabón.

PARTES DE REPUESTO

Si detecta un problema en el regulador, manguera, quemador o válvulas de control, no intente repararlo. Vea a su proveedor, centro de servicios autorizado, o póngase en contacto con la fábrica para reparaciones o reemplazo de partes. Para asegurar un rendimiento óptimo, utilice únicamente partes de repuesto originales de OMC.

PRUEBA DE FUGAS

Cuando conecte un cilindro de gas a modelos que funcionan con gas propano, asegúrese de comprobar si hay fugas. Ver “Prueba de fugas” (página 29)

REJILLAS DE COCCIÓN

Para lavar rejillas de acero inoxidable o de hierro fundido, utilice un detergente suave y agua, y luego enjuague y seque con una toalla de papel; nunca seque las rejillas con aire caliente ni utilice un lavavajillas. En el caso de las rejillas de hierro fundido, acondiciónelas bien (ver a la izquierda: “Rejillas de cocción de hierro fundido”) después de lavarlas.

DIAGNÓSTICO DE PROBLEMAS

PROBLEMA	CAUSA POSIBLE	ACCIÓN CORRECTIVA
OLOR A GAS	CIERRE LA VÁLVULA DEL SUMINISTRO DE GAS DE INMEDIATO. NO UTILICE EL ARTEFACTO HASTA QUE NO SE HAYA SELLADO LA FUGA.	
Fuga detectada en alguna de las conexiones.	<ol style="list-style-type: none"> 1. Desconectar el acoplamiento rápidamente que no esté bien asentado. 2. Fuga de gas en la conexión. 3. Fuga de gas en la manguera o válvulas de control. 	<ol style="list-style-type: none"> 1. Quite el acoplamiento y luego vuelva a conectarlo. 2. Ajuste la conexión y realice una "comprobación de fugas". 3. Consulte con un centro de servicio de reparaciones autorizado.
Llamas debajo del panel de control (retorno de llamas).	<ol style="list-style-type: none"> 1. Tubo Venturi obstruido. 	<ol style="list-style-type: none"> 1. Saque el quemador y limpie el tubo Venturi. Ver "Tubos Venturi" (página 28).
El quemador no enciende.	<ol style="list-style-type: none"> 1. La válvula de cierre de gas está cerrada. 2. Problema del encendedor. 3. Tubo Venturi obstruido o desalineado con respecto al orificio de la válvula. 4. Orificio(s) bloqueado(s). 5. La manguera está doblada. 	<ol style="list-style-type: none"> 1. Abra la válvula de cierre de gas. 2. Intente encender el quemador manualmente con un fósforo. Ver "Encendido" (página 30). Si el quemador se enciende correctamente, se trata de un problema del encendedor. Ver "El encendedor no funciona" a continuación. 3. Saque el quemador, limpie el tubo Venturi y vuelva a alinearlos con el orificio de la válvula. Vea la página 28 para obtener ayuda. 4. Saque el quemador, limpie los orificios con un alfiler o con un alambre. No perforo orificios. 5. Enderece la manguera. Manténgala alejada del fondo de la parrilla.
El encendedor no funciona.	<ol style="list-style-type: none"> 1. Se agotó la batería del encendedor. 2. Cable(s) del encendedor desconectado(s). 3. Electrodo desalineado en el quemador. 4. Desperfecto del encendedor. 	<ol style="list-style-type: none"> 1. Reemplace la batería. 2. Asegúrese de que los cables del quemador principal y del quemador lateral estén todos conectados. 3. Vuelva a alinear el electrodo y limpie los restos circundantes del área. 4. Utilice el procedimiento de "Encendido con fósforo" (página 30).
Disminución del calor, "Chasquido".	<ol style="list-style-type: none"> 1. Tubo Venturi obstruido. 	<ol style="list-style-type: none"> 2. Saque el quemador, limpie el tubo Venturi. Ver "Tubos Venturi" (página 28) para obtener ayuda.
Puntos calientes en la superficie de cocción.	<ol style="list-style-type: none"> 1. Tubo Venturi obstruido. 2. Acumulación de residuos en Flav-R-Wave. 	<ol style="list-style-type: none"> 1. Saque el quemador, limpie el tubo Venturi. Ver "Tubos Venturi" (página 28) para obtener ayuda. 2. Raspar y aspirar el Flav-R-Wave.
"Llamaradas" o grasa incendiada.	<ol style="list-style-type: none"> 1. Acumulación excesiva de grasa en el vaporizador o en la caja de cocción de la parrilla a gas. 2. Calor excesivo. 	<ol style="list-style-type: none"> 1. Raspe bien el Flav-R-Wave y el interior de la caja de cocción y luego aspire los restos. 2. Lleve los controles del quemador a un ajuste inferior.
Llama amarilla.	<ol style="list-style-type: none"> 1. Es normal que la llama sea un poco amarilla. Si se torna demasiado amarilla, puede que el tubo Venturi esté obstruido. 2. Puertos del quemador bloqueados. 	<ol style="list-style-type: none"> 1. Saque el quemador, limpie el tubo Venturi. Ver "Tubos Venturi" (página 28) para obtener ayuda. 2. Saque el quemador y límpielo con un cepillo de cerdas suaves (por ejemplo, un cepillo de dientes).
El interior de la cubierta parece estar descascarándose.	<ol style="list-style-type: none"> 1. Se trata de una acumulación de grasa. El interior de la cubierta no está pintado y no puede descascararse. 	<ol style="list-style-type: none"> 1. Límpielo con un cepillo de cerdas duras o con una espátula.
Rejillas de cocción oxidadas.	<ol style="list-style-type: none"> 1. Se ha dañado el esmalte de porcelana. 	<ol style="list-style-type: none"> 1. Vea "Mantenimiento" (página 34) para obtener ayuda.
Las luces del panel de control o internas no funcionan.	<ol style="list-style-type: none"> 1. La unidad no está conectada al suministro eléctrico. 2. Transformador fallado. 3. Conexiones flojas o corroídas. 4. Foco quemado. 	<ol style="list-style-type: none"> 1. Conecte el cable GFI de alimentación al artefacto. Enchúfelo en un tomacorriente que funcione. 2. Verifique que haya 12 VCA a la salida del transformador. Reemplácelo si fuera necesario. 3. Limpie las conexiones y verifique que todos los conectores estén bien enchufados. 4. Reemplace los focos.

GARANTÍA

La Garantía OMC es válida a partir de la fecha de compra y está limitada a reparaciones o reemplazos de partes sin costo alguno de componentes defectuosos en condiciones normales de uso doméstico.

En Canadá y Estados Unidos, el reemplazo se realiza FOB en la fábrica.

En todos los demás países, el reemplazo es FOB al distribuidor OMC (consulte a su proveedor para conocer el nombre del Distribuidor OMC).

Todos los demás costos son responsabilidad del dueño.

Esta garantía se le otorga únicamente al comprador original como se indica en el registro de garantía y es válida únicamente para productos de venta al por menor y solo cuando tales productos son utilizados exclusivamente por el comprador en el país donde los compró. (Los diferentes tipos de gas utilizados en distintos países requieren válvulas, orificios y reguladores adecuados.)

LO QUE CUBRE

	IMPERIAL / REGAL / SOVEREIGN	BARON / SIGNET / MONARCH	CROWN	ROYAL / GEM
COMPONENTES DE ACERO INOXIDABLE DE LA TAPA	De por vida	De por vida		
COMPONENTES DE PORCELANA Y ACERO DE LA TAPA	De por vida	De por vida	2 Años	
COMPONENTES DE FUNDICIÓN DE ALUMINIO DE LA CAJA DE COCCIÓN	De por vida	De por vida	De por vida	De por vida
CAJA DE COCCIÓN DE ACERO INOXIDABLE	De por vida			
CAJA DE COCCIÓN DE PORCELANA Y ACERO		10 Años	2 Años	
REJILLAS DE ACERO Y PORCELANA				2 Años
REJILLA DE HIERRO FUNDIDO	2 Años	2 Años	2 Años	
REJILLAS DE ACERO INOXIDABLE	5 Años	5 Años		2 Años
FLAV-R-WAVE™ / HEAT TENT DE ACERO INOXIDABLE	5 Años	3 Años	3 Años	2 Años
TUBOS DE LOS QUEMADORES	10 Años	10 Años	5 Años	5 Años
QUEMADOR POSTERIOR	10 Años	10 Años		3 Años
QUEMADOR LATERAL	2 Años	2 Años		
COMPONENTES DEL CARRO DE ACERO INOXIDABLE	5 Años	5 Años	2 Años	
PARTES RESTANTES Y PINTURA	2 Años	2 Años	2 Años	2 Años

LO QUE NO ESTÁ CUBIERTO

Cualquier falla o problema de funcionamiento debido a un accidente, uso indebido o incorrecto, alteración, uso para otros fines, vandalismo, instalación incorrecta o mantenimiento o reparación inadecuados, o el incumplimiento del mantenimiento de rutina, incluyendo, pero sin limitarse a, daños causados por insectos dentro de los tubos del quemador, como se especifica en el manual del propietario.

Deterioro o daños debidos a condiciones meteorológicas severas, como granizo, huracanes, terremotos o tornados, decoloración debido a exposición a productos químicos ya sea directamente o en el ambiente.

Costos de envío o transportación

Costos de devolución o reinstalación.

Costo de mano de obra por reinstalación o reparaciones. Costo de llamadas de servicios técnicos. Responsabilidad por daños indirectos o consiguientes.

Parrillas a gas que se consideren de uso colectivo o parrillas a gas que no sean utilizadas ni reciban mantenimiento directamente del comprador.

PARTES DE REPUESTO

Para los reemplazos, siempre debe utilizar "Partes auténticas para Parrillas a gas OMC". El uso de cualquier otra parte anulará automáticamente la garantía descrita anteriormente.

QUEMADORES

La vida de los quemadores OMC (hechos de acero inoxidable) depende casi completamente de su uso, limpieza y mantenimiento adecuados. Esta garantía no cubre fallas causadas por uso y mantenimiento inadecuados. Para consultar las instrucciones de mantenimiento adecuado, vea la página 34.

REJILLAS DE COCCIÓN RECUBIERTAS DE PORCELANA

Todas las rejillas de hierro fundido para cocinar de OMC están cubiertas con un esmalte de porcelana para facilitar el proceso de limpieza y reducir la tendencia de los alimentos a pegarse a las rejillas. La porcelana es en esencia una cubierta de vidrio. Si las rejillas se manejan incorrectamente, el recubrimiento puede dañarse. Esto no afectará el uso ni el rendimiento de las rejillas. Las rejillas no están aseguradas contra daños ni oxidación derivados de su mal manejo. Consulte la sección "Mantenimiento" (página 34) para ver las instrucciones de cuidado y limpieza de la rejilla de cocción.

SISTEMAS DE VAPORIZACIÓN

Las parrillas a gas OMC están diseñadas para utilizarse con sistemas de vaporización Flav-R-Wave™. El uso de cualquier otro producto anulará automáticamente la garantía.

FLAV-R-WAVE™

El Flav-R-Wave™ está asegurado contra defectos materiales y oxidación durante un período de 3 años en Monarch, Signet, Baron, 5 años en Sovereign, Regal e Imperial y 2 años en todos los demás modelos, a partir de la fecha de compra. El óxido de la superficie no afectará el rendimiento del Flav-R-Wave™ y no está cubierto por la garantía. Vea la sección "Mantenimiento" (página 34) para consultar las instrucciones de cuidado adecuadas del Flav-R-Wave™.

ENVÍO

Durante los tres (3) primeros meses después de la fecha original de compra, se realizan envíos de cortesía para los encargos de garantía. Después de dicho período, se cobrará el precio del envío en todos los encargos de garantía.

REGISTRE SU PARRILLA

Puede registrar la garantía de su parrilla utilizando el sitio de Internet www.omcbbq.com o llamando al 1-800-265-2150.

RECLAMACIONES DE GARANTÍA

Las partes deben devolverse al Departamento de Garantía de OMC, previo pago anticipado de los costos de envío, acompañado del Número del modelo, Número de serie, y si su parrilla no está registrada, la constancia de compra (copia del recibo de compra o factura). Si la inspección confirma el defecto, OMC reparará o reemplazará dicha parte de acuerdo con los términos de la garantía.

Al recibir la carta o fax (no por teléfono) puede que OMC, a su criterio, no requiera la devolución de la(s) parte(s).

RESIDENTES FUERA DE EE.UU. / CANADÁ

La garantía anterior es gestionada por el distribuidor de OMC en su país. Contacte a su proveedor para conocer el nombre de su distribuidor OMC.