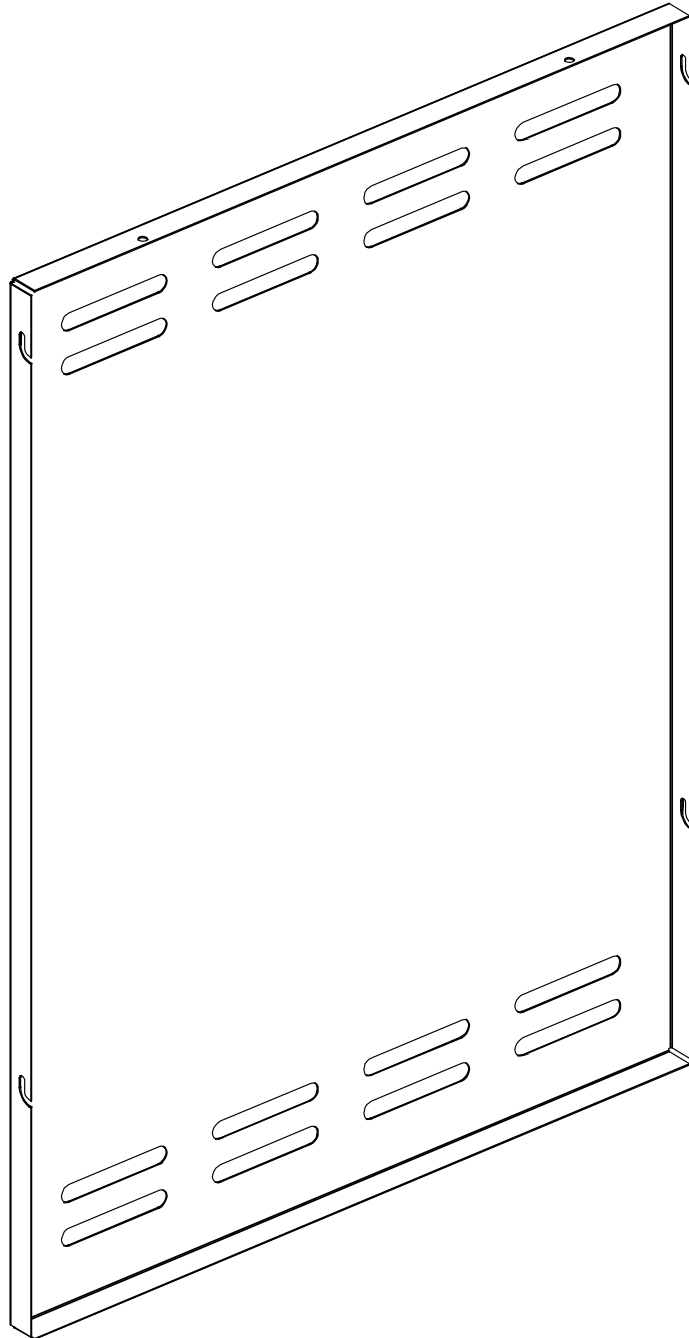


# Broil King®

ASSEMBLY MANUAL & PARTS LIST - MANUEL DE MONTAGE & LISTE DE PIÈCES - MANUAL DE ARMADO Y LISTA DE PARTES

**Broil King**  
22 INCH  
COMPACT FRIDGE  
BACK PANEL  
**900300**

26 INCH  
COMPACT FRIDGE  
BACK PANEL  
**900400**

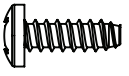


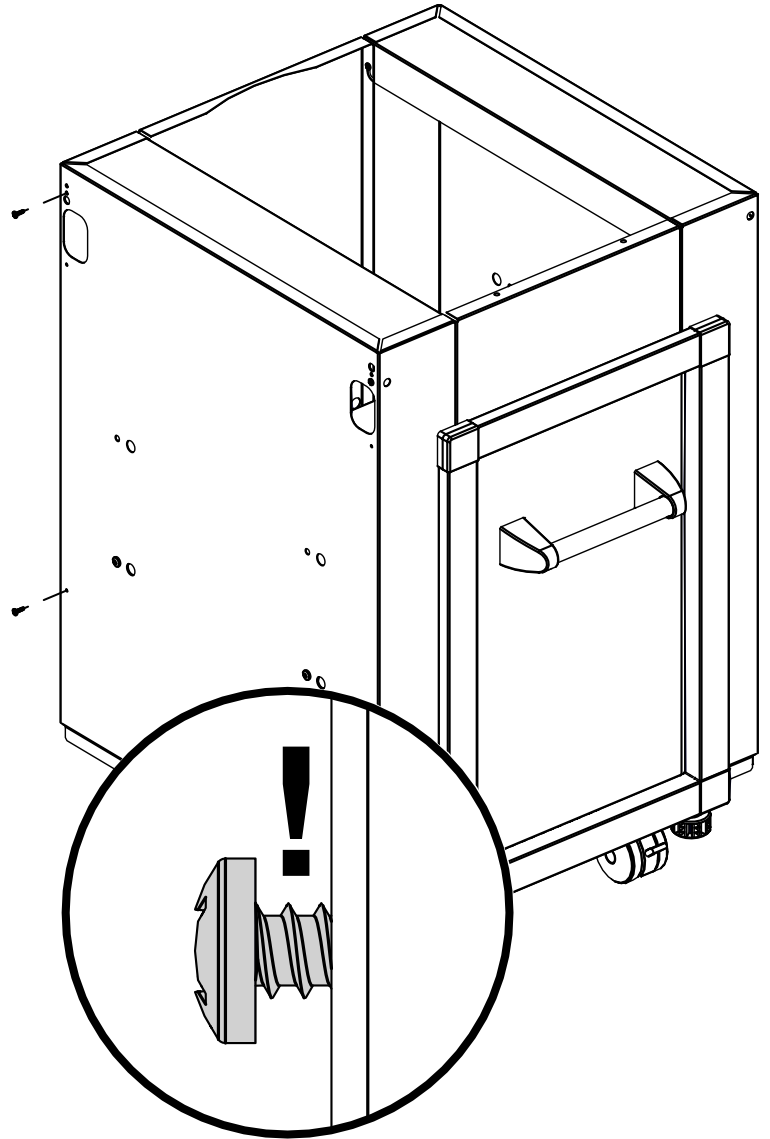
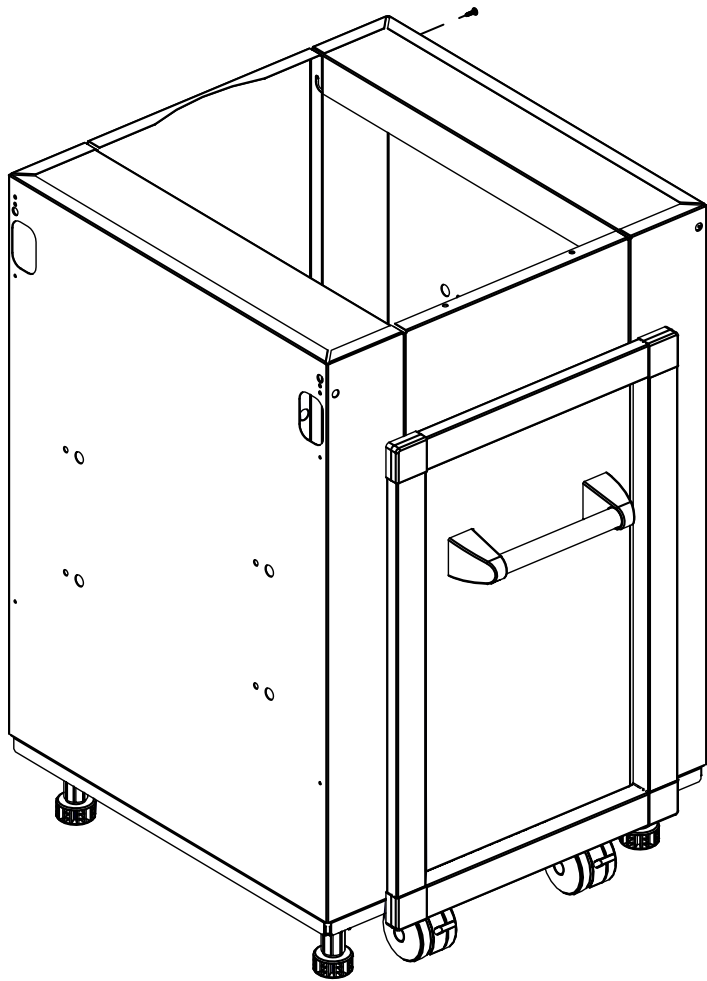
RETAIN FOR FUTURE REFERENCE - VEUILLEZ CONSERVER POUR REFERENCE ULTERIEURE - CONSERVAR PARA FUTURAS CONSULTAS

*Onward*  
SINCE 1906  
**MANUFACTURING COMPANY**  
585 KUMPF DRIVE LIMITED  
WATERLOO, ONTARIO, CANADA  
N2V 1K3

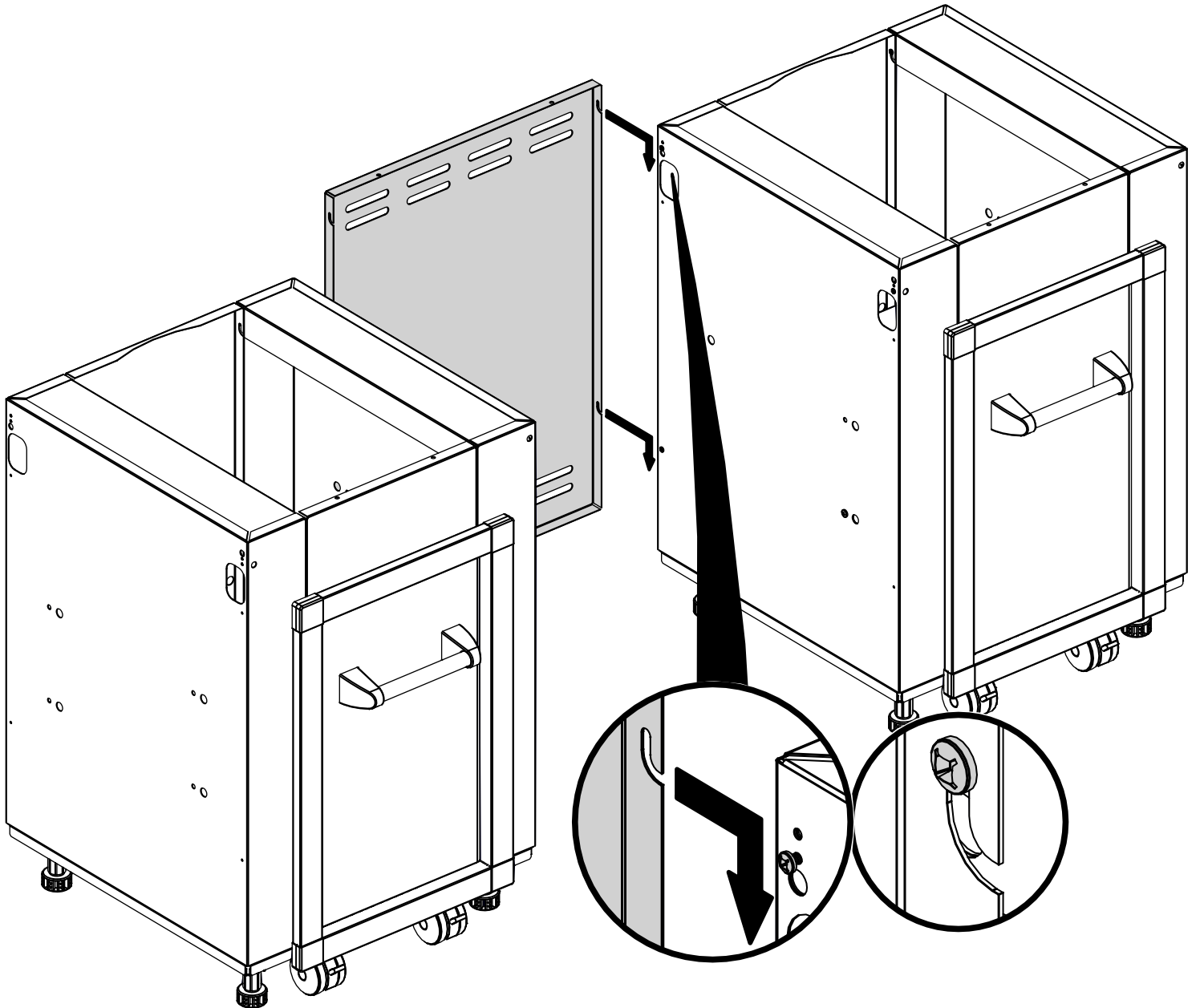
70084-E15 REV A 10/17

1

(4) 



2



# PARTS LIST / LISTE DES PIÈCES / LISTA DE PARTES

<u>KEY #</u>	<u>ITEM #</u>	<u>DESCRIPTION</u>	<u>DESCRIPTION</u>	<u>DESCRIPTION</u>	<u>900300</u>	<u>900400</u>
1	71382-221	REAR PANEL	PANNEAU - ARRIÈRE	PANEL - POSTERIOR	1	•
	71382-261	REAR PANEL	PANNEAU - ARRIÈRE	PANEL - POSTERIOR	•	1
2	S21124	SCREW #8 X 1/2	VIS #8 X 1/2	TORNILLO #8 X 1/2	4	4

