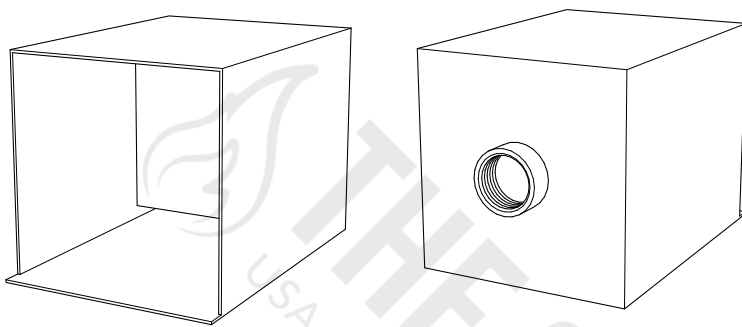
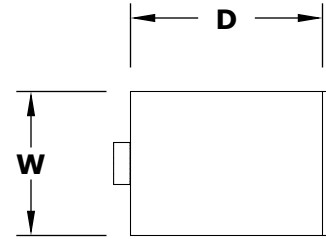


BOX STYLE SCUPPER
STAINLESS STEEL / COPPER



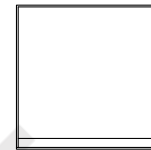
ISOMETRIC VIEW(x2)



TOP VIEW



RIGHT SIDE VIEW



FRONT SIDE VIEW

PART NUMBER	W	H	D	Inlets
OPT-BX6	8"	4"	7"	1 Inlet
OPT-BX8	12"	4"	7"	1 Inlet
OPT-BX10	24"	4"	7"	1 Inlet
OPT-BX12	36"	4"	7"	1 Inlet

Scupper Material: 316 Stainless Steel / Copper

<i>Drawn By</i>	Murguia M.
<i>Date Created</i>	August 6, 2021