



BACKGUARD INSTALLATION INSTRUCTIONS

KBGIT / KBGLB / KBGHS

EN

IMPORTANT - READ ALL INSTRUCTIONS BEFORE YOU BEGIN

THE INSTRUCTIONS HEREIN SHOULD BE PERFORMED BY A QUALIFIED SERVICE TECHNICIAN. THE APPLIANCE MUST BE COMPLETELY COOL AND THE GAS SOURCE MUST BE SHUT OFF. THE UNIT MUST BE UNPLUGGED FROM THE POWER OUTLET, OR THE ELECTRICAL BREAKER SHUT OFF. YOU WILL NEED TO MOVE THE APPLIANCE AWAY FROM THE WALL FOR ACCESS.

SOME PARTS INSIDE YOUR APPLIANCE HAVE SHARP EDGES. CARE MUST BE TAKEN WHEN HANDLING THE VARIOUS COMPONENTS TO AVOID PERSONAL INJURY. WEAR GLOVES WHEN HANDLING.

TOOLS REQUIRED:

- Work gloves
- Safety glasses
- Phillips screwdriver
- 5/16" & 3/8" deep socket wrench or nut driver

▲WARNING IF THE INFORMATION IN THIS MANUAL IS NOT FOLLOWED EXACTLY, A FIRE OR EXPLOSION MAY RESULT CAUSING PROPERTY DAMAGE, PERSONAL INJURY, OR DEATH.

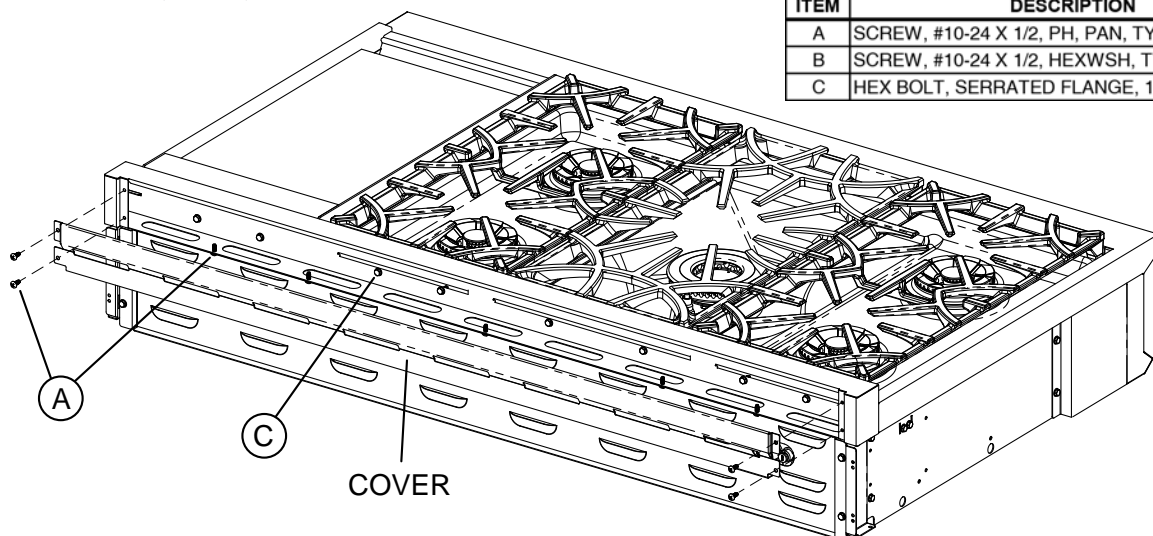
▲WARNING Flammable Gas - disconnect all propane or natural gas supplies to this unit before servicing.

▲WARNING Electrical Parts & Components – disconnect all power supplies before servicing.

REMOVAL OF EXISTING BACKGUARD

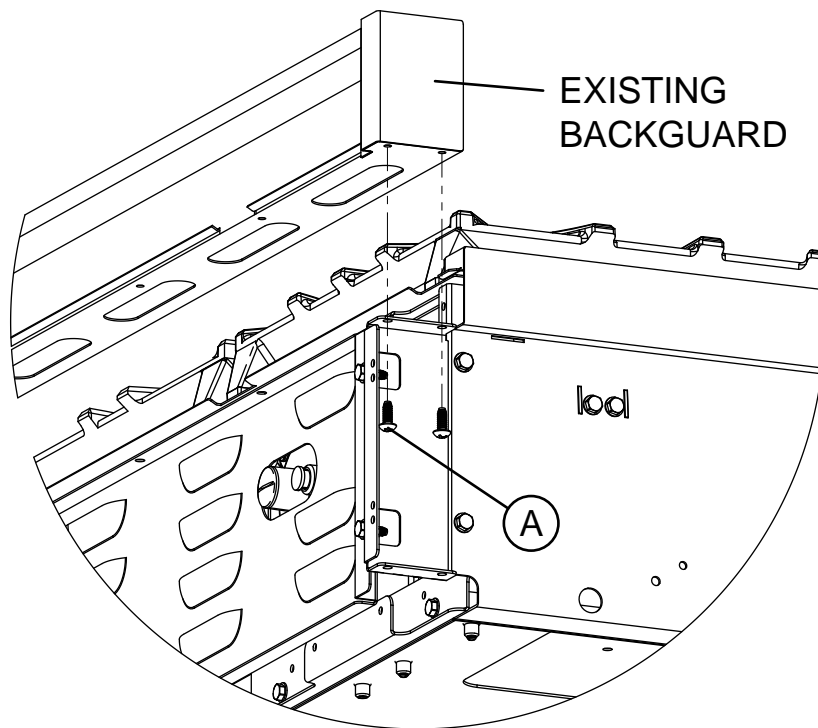
1. Your Hestan appliance was shipped with an Island Trim Backguard (KBGIT) from the factory. From the rear of the unit, remove screw (Item A), then remove the rear cover, then remove remaining screws (Item C).

ITEM	DESCRIPTION
A	SCREW, #10-24 X 1/2, PH, PAN, TYPE F, SS
B	SCREW, #10-24 X 1/2, HEXWSH, TYPE F, SS
C	HEX BOLT, SERRATED FLANGE, 1/4-20 X 1/2, SS



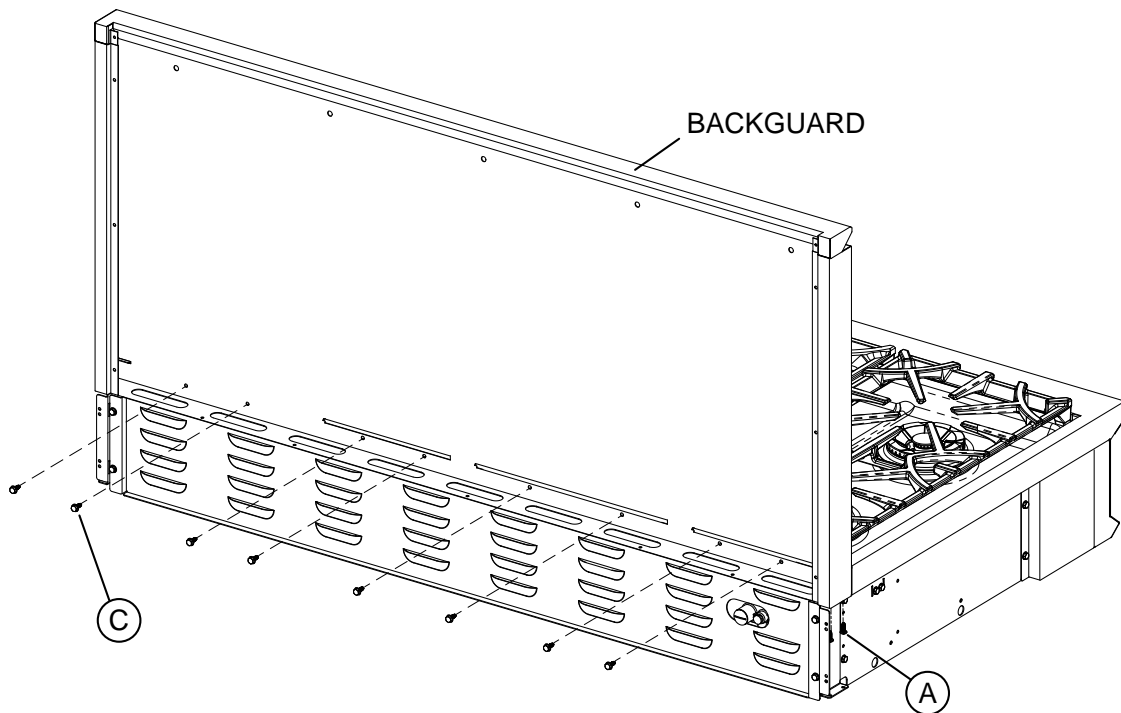
REMOVAL OF EXISTING BACKGUARD *(CONTINUED)*

2. From both sides of the unit, remove screws (Item A), then pull the backguard up and toward the rear of the appliance.



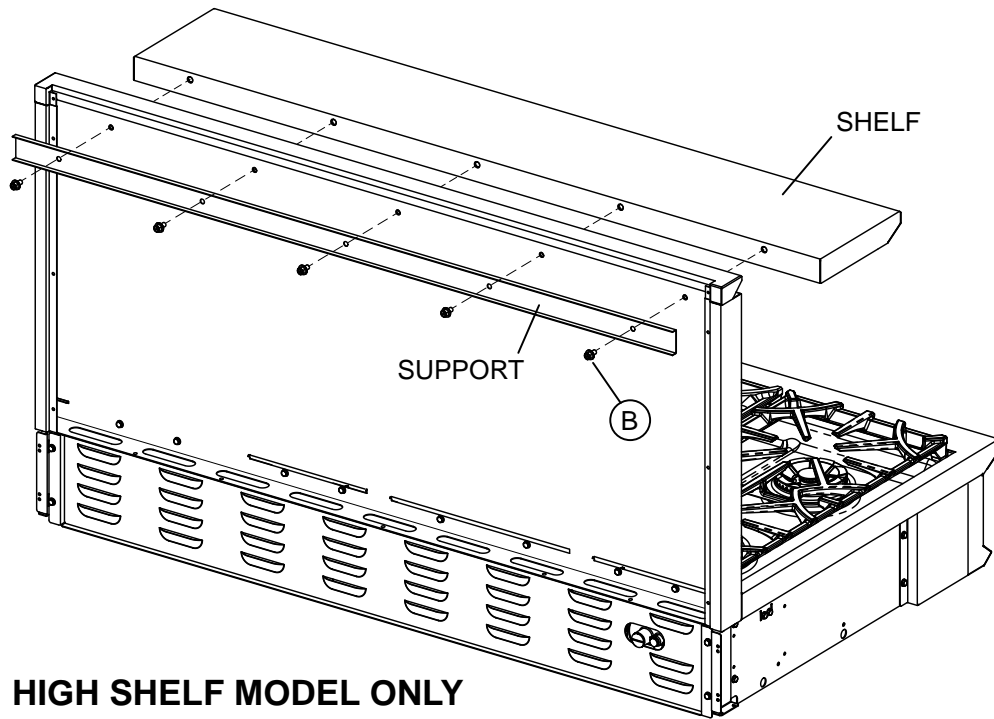
INSTALLATION OF NEW BACKGUARD

3. Install the new backguard, then install the two kinds of screws as shown (Item A & C).



INSTALLATION OF NEW BACKGUARD *(CONTINUED)*

4. If your backguard features a shelf, install the shelf and support using screws Item B.



HIGH SHELF MODEL ONLY

5. With all internal screws tightened, install the rear cover and secure with screws (Item A). The appliance may now be reconnected to the gas and electricity and returned to its position in your kitchen. If your range was moved away from the wall, be sure to re-engage the anti-tipping bracket at the back of the unit, near the floor.

