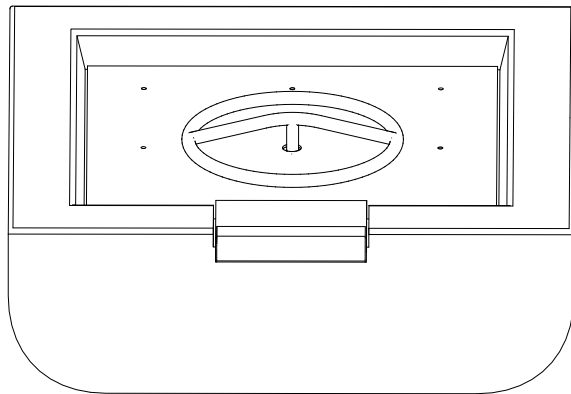
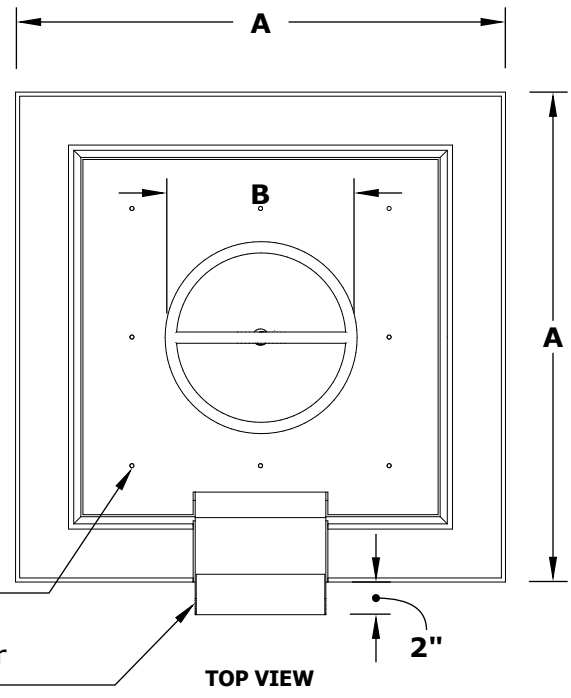


AVALON FIRE WATER BOWL - METAL



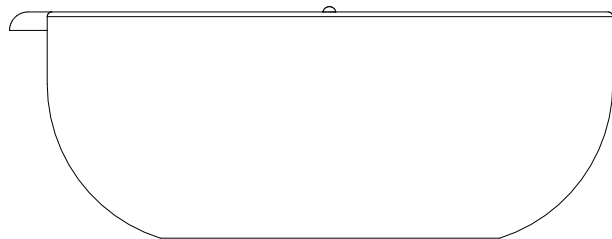
ISOMETRIC VIEW



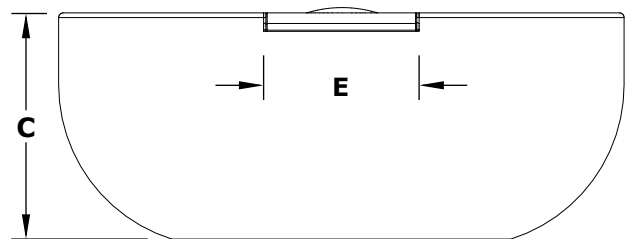
Drain Holes

Copper Scupper
(3/4" Inlet)

TOP VIEW



RIGHT SIDE VIEW



FRONT SIDE VIEW

Hammered Copper	Stainless Steel	A	B	C	D	E	BTU	GPM
OPT-24AVCPFW	OPT-24AVSSFW	24"	8"	10"	12"	8"	45,000	7-10
OPT-30AVCPFW	OPT-30AVSSFW	30"	10"	13"	15"	8"	65,000	7-10
OPT-36AVCPFW	OPT-36AVSSF	36"	10"	13"	18"	10"	65,000	7-10

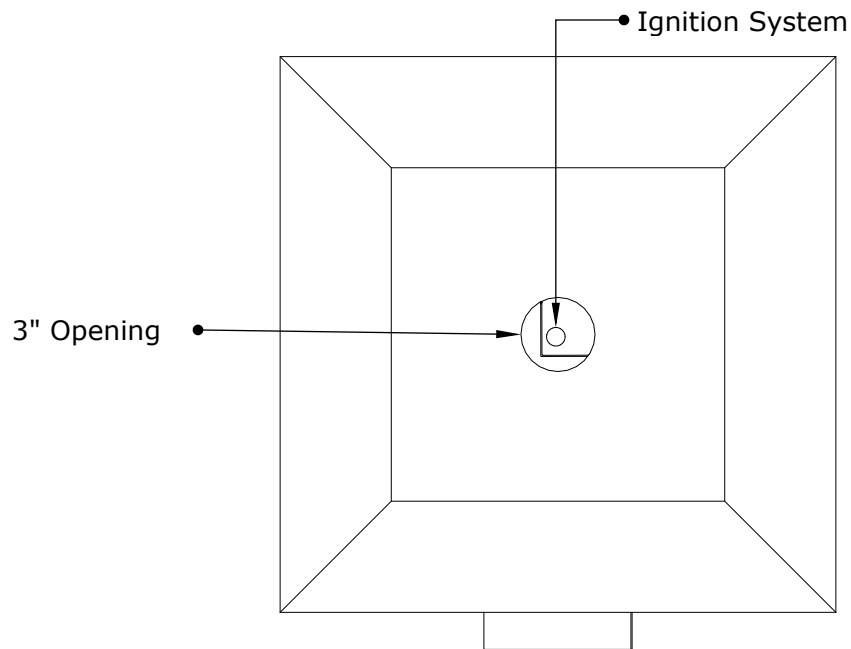
Fire Pit Material: Copper / Stainless Steel
Pan Material: 304 Stainless Steel
Burner Material: 304 Stainless Steel

12V ELECTRONIC IGNITION
ANSI Z21.97-(2017) / CSA 2.41-(2017)



Includes: Pan, Burner, Whistle Free Hoses, Copper Scupper, Black Lava Rock.

AVALON FIRE WATER BOWL - METAL



ISOMETRIC VIEW

Fire Pit Material: GFRC Concrete
Finish: Smooth Finish
Pan Material: 304 Stainless Steel
Burner Material: 304 Stainless Steel

12V ELECTRONIC IGNITION
ANSI Z21.97-(2017) / CSA 2.41-(2017)



Includes: Pan, Burner, Whistle Free Hoses, Copper Scupper, Black Lava Rock.