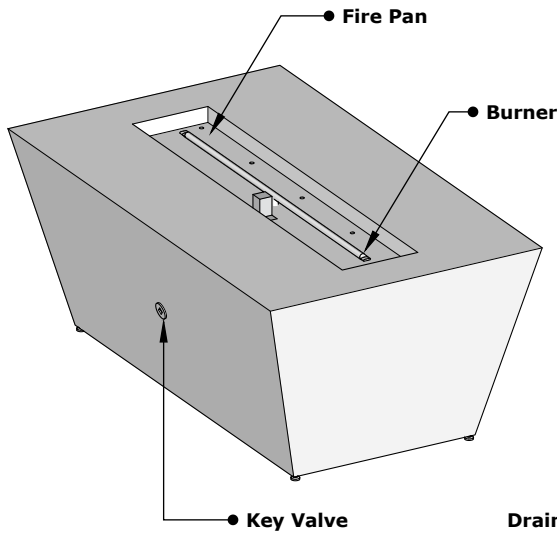
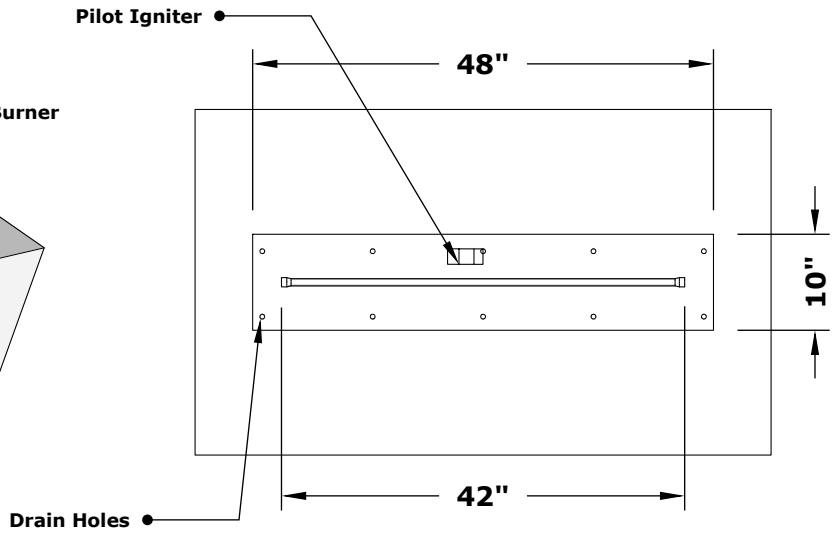


# Angelus FIRE PIT

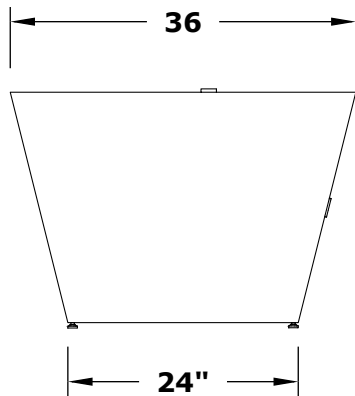
OPT-AGLGF60  
OPT-AGLGF60EKIT  
BTU 65,000



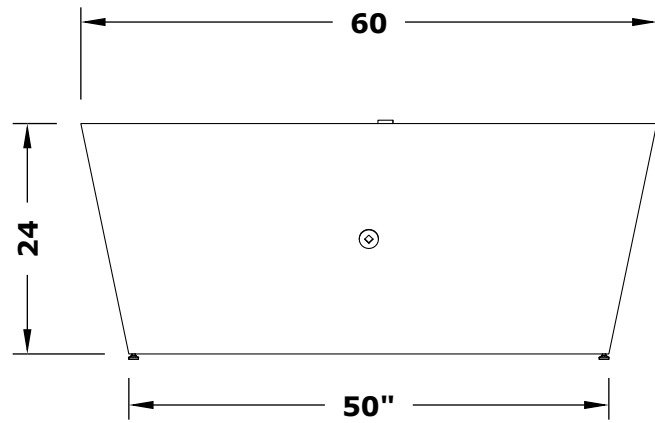
ISOMETRIC VIEW



TOP VIEW



RIGHT SIDE VIEW



FRONT SIDE VIEW

Fire Pit Material: GFRC Concrete  
Pan Material: 304 Stainless Steel  
Burner Material: 304 Stainless Steel

Standard 2" Depth on all pans

### 110V ELECTRONIC IGNITION

ANSI Z21.97-(2017) / CSA 2.41-(2017)



Match Lit Unit Includes: Pan, Burner, Gas Orifice, Gas Hoses, Key Valve, Key,

110v Ignition Unit Includes: Pan, Burner, Gas Orifice, Gas Hoses, Key Valve, Key, Plug & Play Electronic Valve, Pilot Igniter.