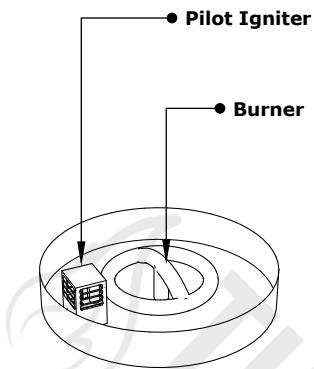
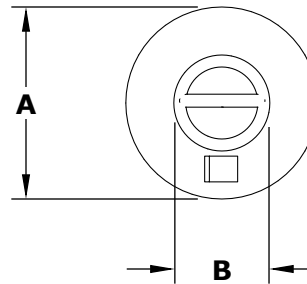


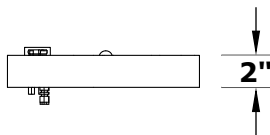
# 12" LIPLESS ROUND DROP IN PAN & SQUARE BURNER



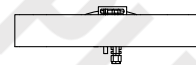
**ISOMETRIC VIEW**



**TOP VIEW**



**RIGHT SIDE VIEW**



**FRONT SIDE VIEW**

PART NUMBER	A	B	BTU
OPT-LTROR12	12"	6"	65,000

Pan Material: 304 Stainless Steel  
Burner Material: 304 Stainless Steel

Standard 2" Depth on all pans

**110V ELECTRONIC IGNITION**  
ANSI Z21.97-(2017) / CSA 2.41-(2017)

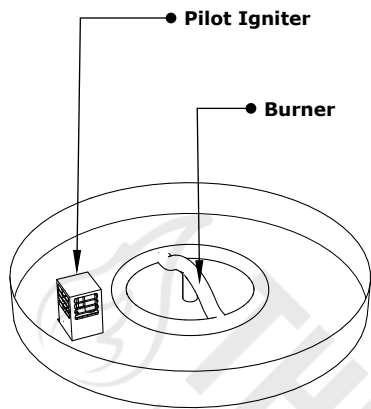


Match Lit Unit Includes: Pan, Burner, Gas Orifice, Gas Hoses, Key Valve, Key,

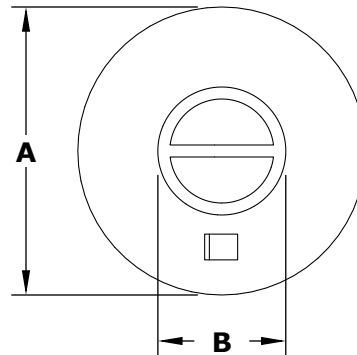
110v Ignition Unit Includes: Pan, Burner, Gas Orifice, Gas Hoses, Key Valve, Key, Plug & Play Electronic Valve, Pilot Igniter.

<i>Drawn By</i>	Murguia M.
<i>Date Created</i>	June 4, 2021

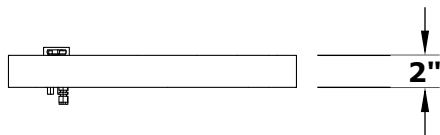
# 18" LIPLESS ROUND DROP IN PAN & SQUARE BURNER



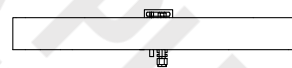
**ISOMETRIC VIEW**



**TOP VIEW**



**RIGHT SIDE VIEW**



**FRONT SIDE VIEW**

PART NUMBER	A	B	BTU
OPT-LTROR18	18"	12"	90,000

Pan Material: 304 Stainless Steel  
Burner Material: 304 Stainless Steel

Standard 2" Depth on all pans

**110V ELECTRONIC IGNITION**  
ANSI Z21.97-(2017) / CSA 2.41-(2017)

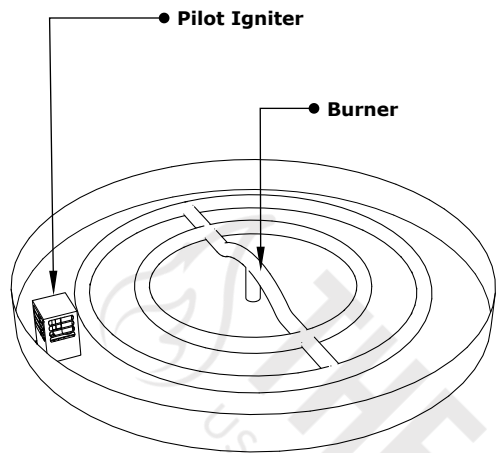


Match Lit Unit Includes: Pan, Burner, Gas Orifice, Gas Hoses, Key Valve, Key,

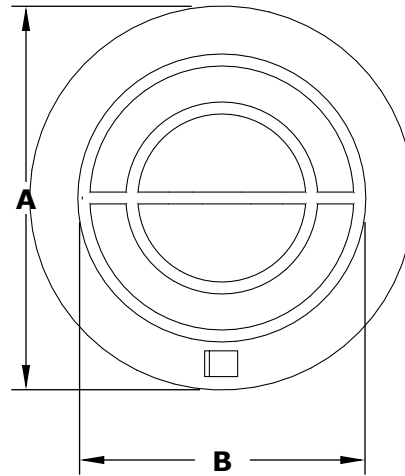
110v Ignition Unit Includes: Pan, Burner, Gas Orifice, Gas Hoses, Key Valve, Key, Plug & Play Electronic Valve, Pilot Igniter.

<i>Drawn By</i>	Murguia M.
<i>Date Created</i>	June 4, 2021

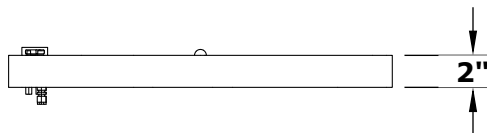
# 24" LIPLESS ROUND DROP IN PAN & SQUARE BURNER



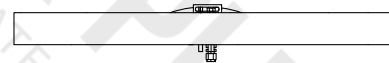
**ISOMETRIC VIEW**



**TOP VIEW**



**RIGHT SIDE VIEW**



**FRONT SIDE VIEW**

PART NUMBER	A	B	BTU
OPT-LTROR24	24"	18"	160,000

Pan Material: 304 Stainless Steel  
Burner Material: 304 Stainless Steel

Standard 2" Depth on all pans

**110V ELECTRONIC IGNITION**  
ANSI Z21.97-(2017) / CSA 2.41-(2017)

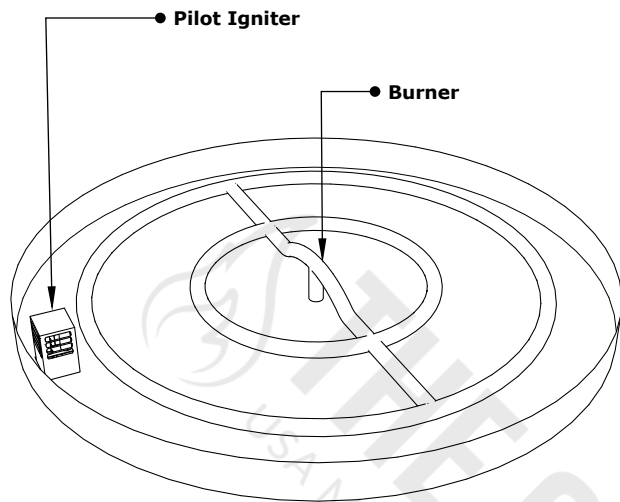


Match Lit Unit Includes: Pan, Burner, Gas Orifice, Gas Hoses, Key Valve, Key,

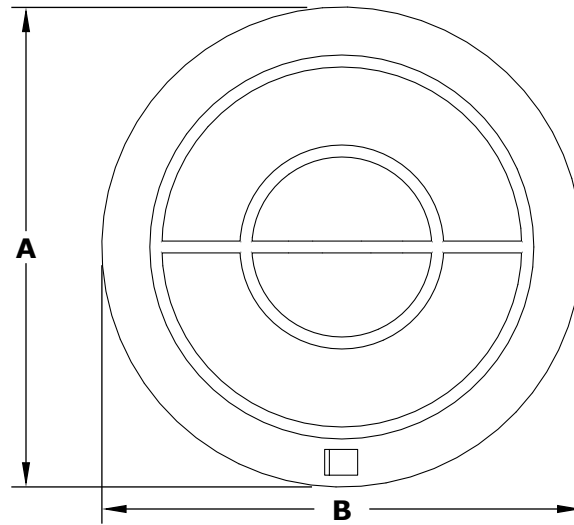
110v Ignition Unit Includes: Pan, Burner, Gas Orifice, Gas Hoses, Key Valve, Key, Plug & Play Electronic Valve, Pilot Igniter.

<b>Drawn By</b>	Murguia M.
<b>Date Created</b>	June 4, 2021

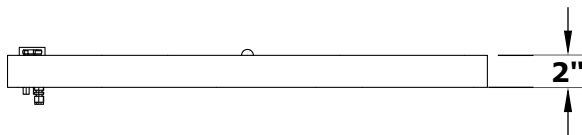
# 30" LIPLESS ROUND DROP IN PAN & SQUARE BURNER



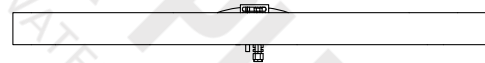
**ISOMETRIC VIEW**



**TOP VIEW**



**RIGHT SIDE VIEW**



**FRONT SIDE VIEW**

PART NUMBER	A	B	BTU
OPT-LTROR30	30"	24"	190,000

Pan Material: 304 Stainless Steel  
Burner Material: 304 Stainless Steel

Standard 2" Depth on all pans

**110V ELECTRONIC IGNITION**  
ANSI Z21.97-(2017) / CSA 2.41-(2017)

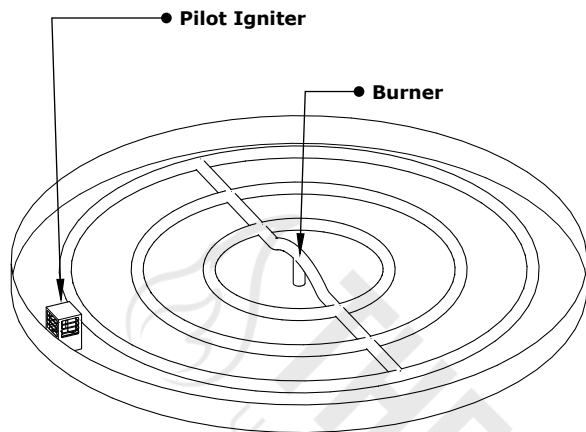


Match Lit Unit Includes: Pan, Burner, Gas Orifice, Gas Hoses, Key Valve, Key,

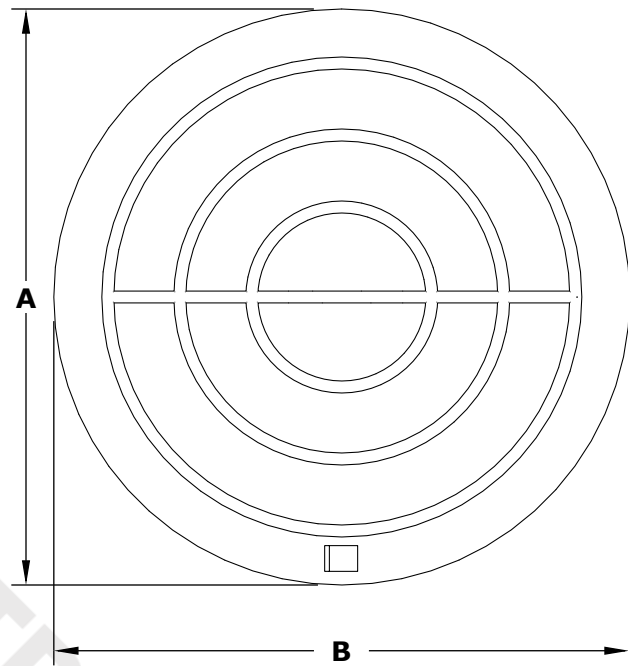
110v Ignition Unit Includes: Pan, Burner, Gas Orifice, Gas Hoses, Key Valve, Key, Plug & Play Electronic Valve, Pilot Igniter.

<i>Drawn By</i>	Murguia M.
<i>Date Created</i>	June 4, 2021

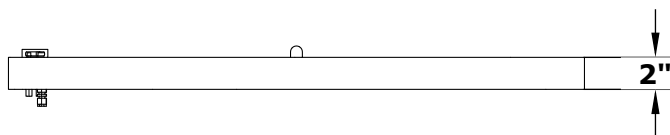
# 36" LIPLESS ROUND DROP IN PAN & SQUARE BURNER



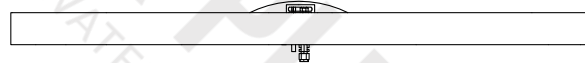
**ISOMETRIC VIEW**



**TOP VIEW**



**RIGHT SIDE VIEW**



**FRONT SIDE VIEW**

PART NUMBER	A	B	BTU
OPT-LTROR36	36"	30"	310,000

Pan Material: 304 Stainless Steel  
Burner Material: 304 Stainless Steel

Standard 2" Depth on all pans

**110V ELECTRONIC IGNITION**  
ANSI Z21.97-(2017) / CSA 2.41-(2017)

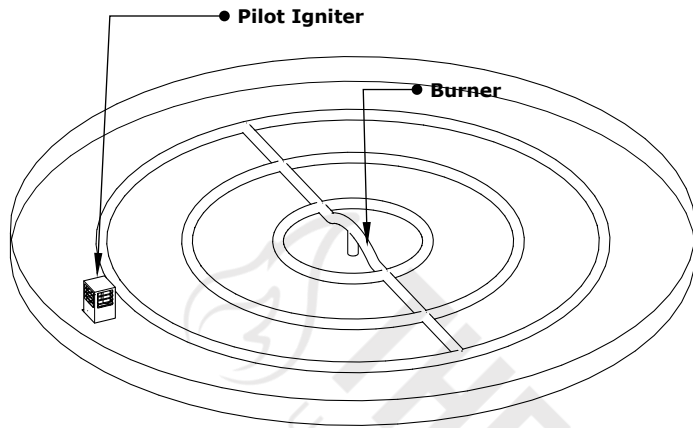


Match Lit Unit Includes: Pan, Burner, Gas Orifice, Gas Hoses, Key Valve, Key,

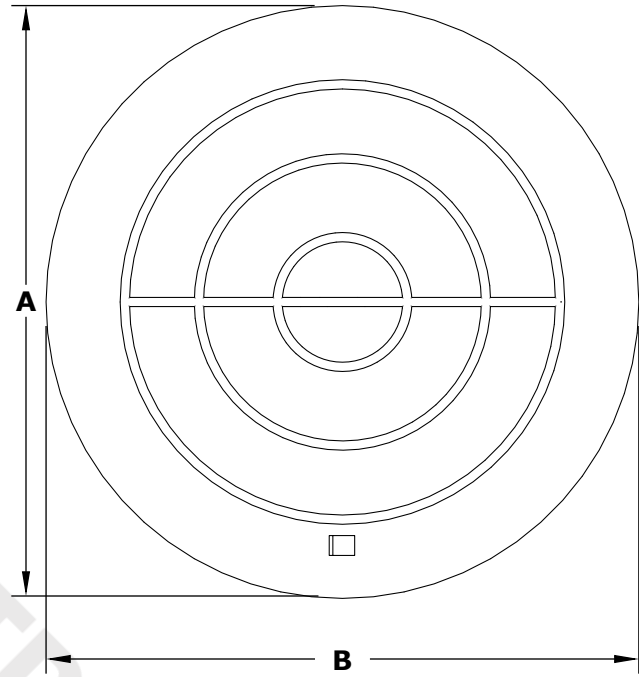
110v Ignition Unit Includes: Pan, Burner, Gas Orifice, Gas Hoses, Key Valve, Key, Plug & Play Electronic Valve, Pilot Igniter.

<i>Drawn By</i>	Murguia M.
<i>Date Created</i>	June 4, 2021

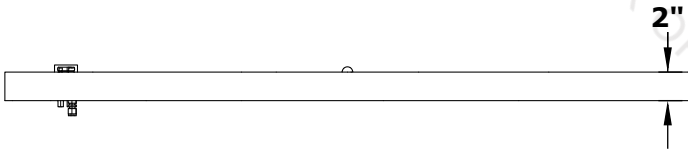
# 48" LIPLESS ROUND DROP IN PAN & SQUARE BURNER



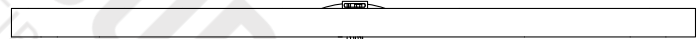
**ISOMETRIC VIEW**



**TOP VIEW**



**RIGHT SIDE VIEW**



**FRONT SIDE VIEW**

PART NUMBER	A	B	BTU
OPT-LTROR48	48"	36"	375,000

Pan Material: 304 Stainless Steel  
Burner Material: 304 Stainless Steel

Standard 2" Depth on all pans

**110V ELECTRONIC IGNITION**  
ANSI Z21.97-(2017) / CSA 2.41-(2017)



Match Lit Unit Includes: Pan, Burner, Gas Orifice, Gas Hoses, Key Valve, Key,

110v Ignition Unit Includes: Pan, Burner, Gas Orifice, Gas Hoses, Key Valve, Key, Plug & Play Electronic Valve, Pilot Igniter.

<b>Drawn By</b>	Murguia M.
<b>Date Created</b>	June 4, 2021