

The Gothic

Item 2900

Our Gothic Lamp evokes the power and elegance of Europe's great cathedrals and guild halls, combining uncompromising craftsmanship with inspiring design. Standing over 23 inches tall with its impressive Cast Acorn finial, the Gothic Lamp can add drama to any setting, especially when complemented with beveled glass panes.



Post Mount

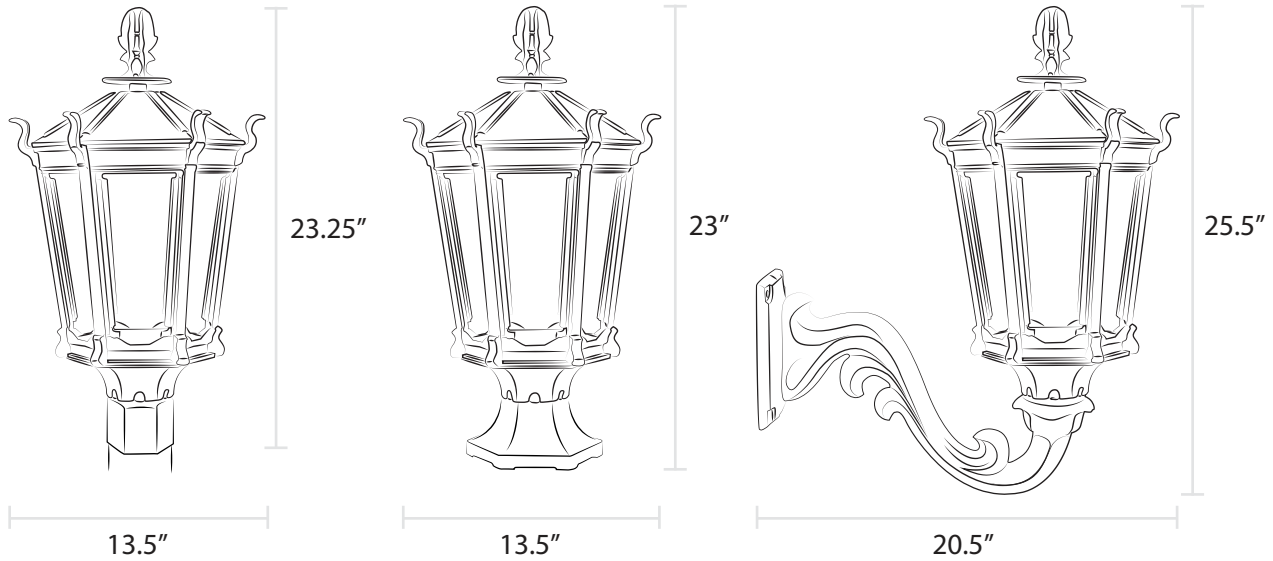


Wall Mount



Pier Mount
*As shown with Cast Acorn
finial with guard*

The Gothic



Product Overview:

- Sand cast aluminum
- Certified valve
- Flat tempered glass included; additional glass options available*
- Cast Acorn finial with guard included; decorative finials available*

Installation Options:

- Post mount fits standard 3" outside diameter post
- For wall mount, combine with our Six-Sided Decorative Bracket, Craftsman, Sewickley, or Universal Bracket
- For pier mount, combine with our Small Six-Sided Pier Mount or Heritage Pier Mount

Illumination Options:



Mantle Gas



Open Flame Gas



GasGlow® LED*



Candelabra Base

Finish Options:

- Available in all finish options

**Additional charges may apply*