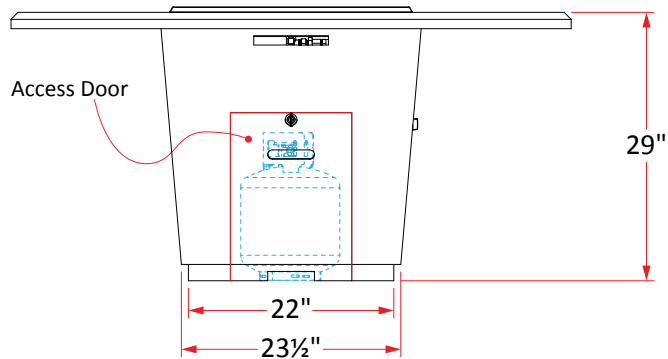
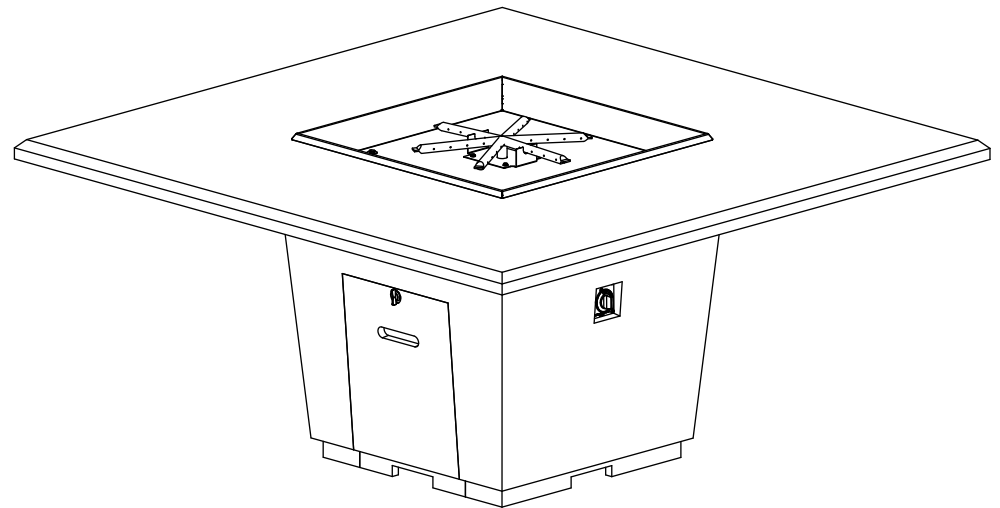
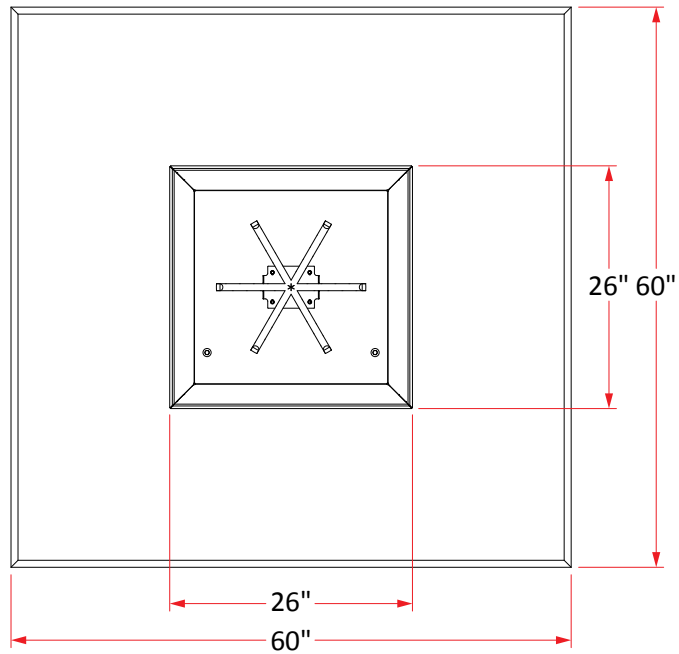


Cosmopolitan Square Dining Firetable

Model #: 642-xx-11-V6xC



#642 - Cosmopolitan Firetable Specs

Dimensions:	60"w x 60"d x 29"h
Weight:	500 lbs
Key Valve (V6) BTU's:	65,000 (NG)/60,000 (LP)

Accepts a 5 gal. Propane tank inside the unit (not included).

AMERICAN
FYRE DESIGNS™
 outdoor Products Collection