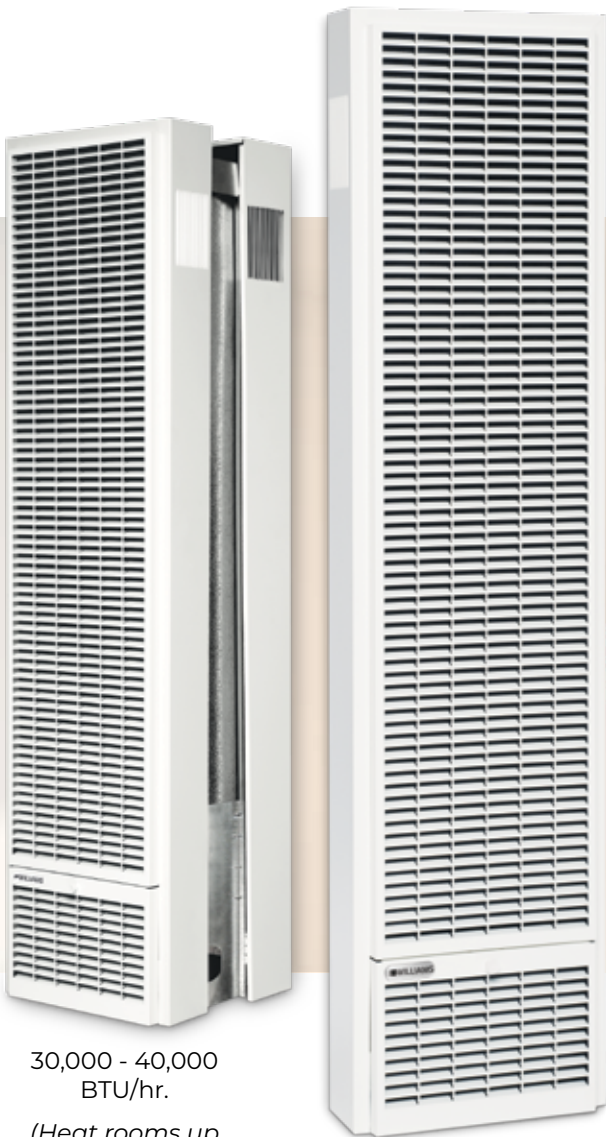


# NEW - AC2030T / AC3040T TOP VENT GAS WALL HEATER



30,000 - 40,000  
BTU/hr.

*(Heat rooms up  
to 1,300 sq. ft.,  
650 sq. ft. per side)*

20,000 - 30,000 BTU/hr.  
*(Heat rooms up to 1,000 sq. ft.)*

The future is here. Introducing the Next Generation high performance, affordable, vented wall furnace heating solution. The AC2030T / AC3040T Top Vent Gas Wall Heater offers traditional home comfort with lower heating costs, convenience and high efficiency. Easily recessed or surface-mounted options are great in homes, schools, cabins, apartments, offices and shops.

Heating rooms individually allows comfort in areas being used while saving fuel costs in unused areas.

## FEATURES

- Superior comfort and efficiency 80% AFUE
- Ultra low NOx emissions
- Dynamic Response - for energy savings and a constant and comfortable temperature - just enough heat for your desired environment.
- No standing pilot - eliminates seasonal relighting, saves energy and eliminates methane emissions.
- Easy to install
- Quiet fans offer improved comfort and air circulation
- Reduced carbon footprint - fits into the same opening and uses the same venting as the traditional Monterey wall furnace.
- Programmable thermostat included for energy savings and comfort:



- Easy to use
- Dynamic response
- Programmable heating schedule
- Shows date and time
- Manual and auto modes

# AC2030T / AC3040T TOP VENT GAS WALL HEATER

MODEL NUMBER		BTU/hr. INPUT	BTU/hr. OUTPUT	EFFICIENCY PERCENT AFUE	DIGITAL THERMOSTAT (INCLUDED)	POWER
NATURAL	PROPANE					
<b>SINGLE SIDED</b>						
AC2030TN	AC2030TP	30,000	25,428	82%	PROGRAMMABLE	115V-60 HZ, 1 PHASE, LESS THAN 5.0 AMPS
<b>DOUBLE SIDED</b>						
AC3040TN	AC3040TP	40,000	33,272	80%	PROGRAMMABLE	115V-60 HZ, 1 PHASE, LESS THAN 5.0 AMPS

MODEL DIMENSIONS	WIDTH	DEPTH	HEIGHT	WEIGHT (LBS.)
<b>SINGLE SIDED</b>				
FURNACE DIMENSIONS (INCHES)	16	6	65 3/4	106
SHIPPING DIMENSIONS (INCHES)	17 1/2	11	71	120
<b>DOUBLE SIDED</b>				
FURNACE DIMENSIONS (INCHES)	16	6	65 3/4	145
SHIPPING DIMENSIONS (INCHES)	17 1/8	16 3/8	70 7/8	165

Conversion Kits Available    Settable elevation rating from sea level (0) to 4,500'

1/2" Gas Connection

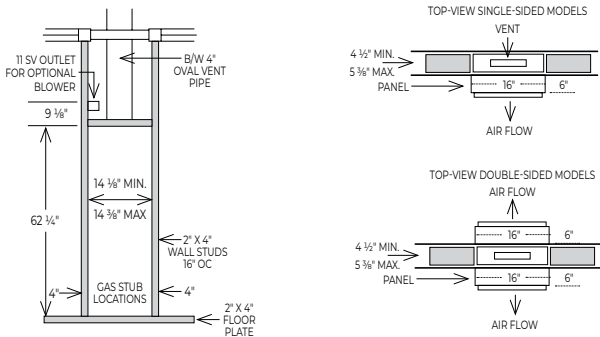
## FEATURES

### CONTEMPORARY FINISH

Soft-white, powder-coat, heat-resistant finish to compliment any decor.

### INTERIOR FURNACE CLEARANCES

- 1" from an intersecting wall.
- 16" from the top of the appliance to the ceiling or other obstructions.
- 48" from the furnace front to draperies, furniture or other obstructions, or other combustibles.
- 2 1/2" from finished floor.



### IMPORTANT

- Read owner's manual before using/installing.
- Photographs are representative only.
- Check local codes and ordinances for permitted uses.
- Consult installation manual for clearances prior to installation.
- We reserve the right to amend product specifications without notice.
- Installation and servicing recommended by a qualified service person.
- Please read the warranty for any limitations of disclaimers. All parts carry a one-year limited warranty.
- Venting must comply with the "Venting and Chimney Requirements" section of the instruction manual.

**WARNING:** This product can expose you to chemicals including epichlorohydrin which is known to the State of California to cause cancer and birth defects and/or other reproductive harm. For more information go to [www.p65warnings.ca.gov](http://www.p65warnings.ca.gov)

## ACCESSORIES

### REAR-OUTLET REGISTER - (AC2030T ONLY)

Register flush on rear wall, adjusts amount of heat delivered through rear register. Motorized rear outlet register for increased airflow also available. **Model 6920** - Motorized model for surface mounted installation. Shipping weight 10 lbs.



### GAS CONVERSION KITS

- SINGLE SIDE**
- M117854** - Propane Gas to Natural Gas
- M117853** - Natural Gas To Propane Gas
- DOUBLE SIDED**
- M117881** - Propane Gas to Natural Gas
- M117880** - Natural Gas To Propane Gas

### OVAL-VENT STARTER KIT

Contains hold down plate, oval-to-round adapter, spacer plates and two pieces of 2-foot lengths of oval pipe. **Model 9929** - USA  
**Model 9930** - Canada  
Shipping weight 9 lbs.



### REPLACEMENT FACE PANEL

Soft white powder coat face panel  
**Model 4915** - shipping weight 30 lbs.

### FREE-STANDING KIT (AC2030T ONLY)

Allows single sided furnaces to be surface mounted instead of recessed. Ideal for remodeling in existing masonry construction or when studs are non-standard. (furnace and face panel not included.) **Model 4901** - Shipping weight 23 lbs.

