



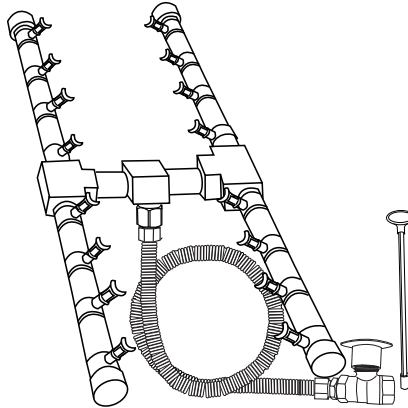
# FIREGEAR

## “PRO SERIES”

**DO NOT DISCARD. THIS MANUAL HAS IMPORTANT OPERATING AND MAINTENANCE INSTRUCTIONS. LEAVE WITH THE HOMEOWNER.**

**MODEL:**

**SERIAL #:**



## Outdoor Fire Pit Pro H-Burners & Kits

H-Burner Only	Description	H- Burner Kit	Description	Input Rating
FG-PSBR-H24-NG FG-PSBR-H24-LP	24" x 6 <sup>3</sup> / <sub>4</sub> " Burner	FG-PSBR-H24-NGK FG-PSBR-H24-LPK	24" x 6 <sup>3</sup> / <sub>4</sub> " Burner Kit	80,000 Btu's 110,000 Btu's
FG-PSBR-H30-NG FG-PSBR-H30-LP	30" x 6 <sup>3</sup> / <sub>4</sub> " Burner	FG-PSBR-H30-NGK FG-PSBR-H30-LPK	30" x 6 <sup>3</sup> / <sub>4</sub> " Burner Kit	90,000 Btu's 115,000 Btu's
FG-PSBR-H40-NG FG-PSBR-H40-LP	40" x 6 <sup>3</sup> / <sub>4</sub> " Burner	FG-PSBR-H40-NGK FG-PSBR-H40-LPK	40" x 6 <sup>3</sup> / <sub>4</sub> " Burner Kit	120,000 Btu's 150,000 Btu's
FG-PSBR-H50-NG FG-PSBR-H50-LP	50" x 6 <sup>3</sup> / <sub>4</sub> " Burner	FG-PSBR-H50-NGK FG-PSBR-H50-LPK	50" x 6 <sup>3</sup> / <sub>4</sub> " Burner Kit	160,000 Btu's 175,000 Btu's
FG-PSBR-H60-NG FG-PSBR-H60-LP	60" x 6 <sup>3</sup> / <sub>4</sub> " Burner	FG-PSBR-H60-NGK FG-PSBR-H60-LPK	60" x 6 <sup>3</sup> / <sub>4</sub> " Burner Kit	180,000 Btu's 200,000 Btu's
FG-PSBR-H80-NG FG-PSBR-H80-LP	80" x 6 <sup>3</sup> / <sub>4</sub> " Burner	FG-PSBR-H80-NGK FG-PSBR-H80-LPK	80" x 6 <sup>3</sup> / <sub>4</sub> " Burner Kit	250,000 Btu's 240,000 Btu's

## Installation and Operating Instructions

**IF YOU CANNOT READ OR UNDERSTAND THESE INSTALLATION INSTRUCTIONS DO NOT ATTEMPT TO INSTALL OR OPERATE THIS APPLIANCE**

### INSTALLATION PRECAUTION:

This system requires a minimum 18 square inches (per side) of cross ventilation. Failure to provide proper ventilation will void the warranty.



**Warning: For Outdoor Use Only**



We recommend that our gas hearth products be installed and serviced by professionals who are certified in the U.S. by the National Fireplace Institute® (NFI) as NFI Gas Specialists.



**DANGER**

**CARBON MONOXIDE HAZARD**

This appliance can produce carbon monoxide which has no odor.

Using it in an enclosed area can kill you.

Never use this appliance in an enclosed space such as a camper, tent, car or home.



**DANGER**

**FIRE OR EXPLOSION HAZARD**

If you smell gas:

1. Shut off gas to the appliance
2. Extinguish any open flame.
3. If odor continues, leave the area immediately.
4. After leaving the area, call your gas supplier or fire department.



**WARNING**

Do not store or use gasoline or other flammable vapors and liquids in the vicinity of this or other appliance.

An LP cylinder not connected for use shall not be stored in the vicinity of this or any other appliance.

**WARNING**

Do not leave unattended during use.  
Do not use for cooking.  
Follow all gas leak procedures in this manual prior to operation.



**WARNING**

Improper installation, adjustment, alteration, service or maintenance can cause injury or property damage, personal injury or loss of life  
Read the owner's information manual provided with this appliance.  
Installation and service must be performed by a qualified installer, service agency, or the gas supplier.

**WARNING**

If the information in this manual is not followed exactly, a fire or explosion may result causing property damage, personal injury, or **loss of life**.

**FOR YOUR SAFETY**

Do not store or use gasoline or other flammable vapors and liquids in the vicinity of this or other appliances.



Fuels used in gas fired appliances, and the products of combustion such as fuels, contain chemicals known to cause cancer, birth defects and/or other reproductive harm.  
This warning is issued pursuant to the California Health & Safety Code Sec. 25249.1



# CALIFORNIA PROPOSITION 65



## WARNING

This product can expose you to Chromium, which is known to the state of California to cause cancer and birth defects or other reproductive harm.

(For more information, go to [www.p65warnings.ca.gov](http://www.p65warnings.ca.gov))

### TABLE OF CONTENTS

<b>Specifications</b>	4
<b>Preparation for Non-Combustible Structure</b>	5
Hard Piping to Fire Pit	5
High Elevation	5
Cross Ventilation Requirements	5
Media Requirements	5
Pipe Sizing Chart	6
<b>Installation into an Approved Enclosure</b>	7
Pro H-Burner Information	7
Pro H-Burner Assembly	8-9
Installing Key Valve	9
Typical Installation Drawings	10
<b>Operation</b>	11
Lighting Instructions	11
<b>Replacement Parts</b>	12
<b>Replacement Parts List</b>	13
<b>Pro H-Burner Contents</b>	14
<b>Fire Pit Maintenance</b>	15
<b>Optional Accessories/ Trouble Shooting</b>	16

**Congratulations!** You have just purchased a Firegear Outdoors “Pro Series” H-Burner. These are Brass Burners that come in six sizes, 24”, 30”, 40”, 50”, 60” and 80” models. Each model is 6¾” wide and incorporates individual injectors that eliminates the need for a main burner orifice. The 24” model incorporates 20 injectors where up to the 80” model has 64 injectors. All models vary with the quantity of injectors. Injectors provide a unique flame pattern that differs from a typical steel burner.



### CAUTION

All media (i.e. lava rock, lava stones, lava boulders and fire glass) has the potential of thermal spalling. This is a process that may occur when media is wet and moisture gets trapped inside of the material due to rapid temperature differences. When this happens the media has the potential to crack or “pop” outside the fire feature.

#### **WE HIGHLY RECOMMEND COVERING ALL FIRE FEATURES WHEN NOT IN USE**

The use of a cover can lessen the impact of thermal spalling; however, heavy rains, high humidity and the presence of moisture may still cause the media to pop.

#### **ALWAYS USE CAUTION WHEN USING THE FIRE FEATURE**

Extra caution should be taken when lighting a fire feature when heavy rains, high humidity and moisture are present. Light the fire feature; leave the area allowing any moisture in the media to dissipate. We strongly recommend that during this drying out time that you monitor the fire feature from a distance. This drying out period should be no less than 15 minutes. Continue monitoring the flame from a distance to ensure that all popping has ceased before fully enjoying the fire.



## SPECIFICATIONS

Model Pro H-Burner Only/ Pro H-Burner Kit * Natural/Propane models NG/NGK - LP/LPK	Pan/Disc Depth	A Burner Size	Min. Inside Pan Size	B Combustible Side Wall	C Combustible Ceiling	D Combustible Floor
FG-PSBR-H24-NG/NGK or LP/LPK	2 1/2" - 3"	24" x 6 3/4"	26" x 10"	36"	96"	18"
FG-PSBR-H30-NG/NGK or LP/LPK	2 1/2" - 3"	30" x 6 3/4"	32" x 10"	36"	96"	18"
FG-PSBR-H40-NG/NGK or LP/LPK	2 1/2" - 3"	40" x 6 3/4"	42" x 10"	36"	96"	18"
FG-PSBR-H50-NG/NGK or LP/LPK	2 1/2" - 3"	50" x 6 3/4"	52" x 10"	36"	120"	18"
FG-PSBR-H60-NG/NGK or LP/LPK	2 1/2" - 3"	60" x 6 3/4"	62" x 10"	36"	120"	18"
FG-PSBR-H80-NG/NGK or LP/LPK	2 1/2" - 3"	80" x 6 3/4"	80" x 10"	36"	120"	18"

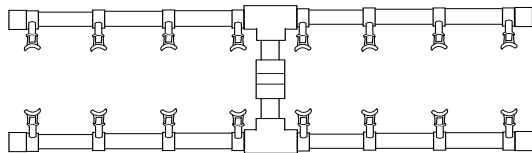
**Table 1** Installation specifications

**Description:** Pro H-Burners only are provided with with burner supports, hardware and brass burner (i.e. FG-PSBR-H24-NG/LP) and Pro H-Burner Kits are provided with with burner supports, hardware and brass burner, key valve assembly and flex line (i.e. FG-PSBR-H24-NGK/LPK).

**BEFORE INSTALLING A BURNING SPUR DETERMINE WHAT PAN WILL BE USED:**

The Pro H-Burner models above are not provided with pans for installation. We suggest you provide an appropriate non-combustible burner pan to install the Pro H-Burner. Burner pans sizes listed in Table 1 are suggested sizes based on the burner model size. Pans should be square, rectangular or a flat metal. **NOTE:** It is recommended to use 304 Stainless Steel. Burner pans should have 1/4" drainage holes to prevent standing water in pan and the center hole for the burner nipple should be 7/8" in diameter. A recommended material thickness for any burner pan or disc is 16 gauge. Once the H-burner is installed into a burner pan then proceed with this manual to complete the installation.

**CAUTION: DO NOT use stiff screen or perforated metal as a burner pan. Some gases are heavier than air and screen or perforated metal can enable the gas to flow down inside an enclosure which could cause delayed ignitions or explosions.**

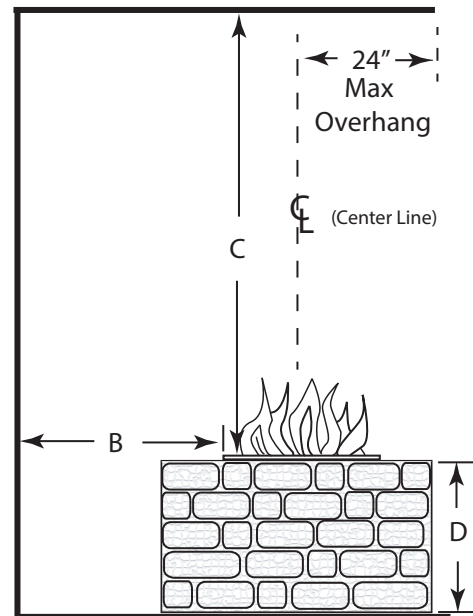


**Fig. 1** Pro H-Burner Dimensions; refer to Table 1.

Models:	# Injectors	Injector Size	Btu's
FG-PSBR-H24-NG/NGK	20	#68 (0.031)	80K (23.44kW)
FG-PSBR-H24-LP/LPK	20	#72 (0.025)	110K (32.23kW)
FG-PSBR-H30-NG/NGK	24	#68 (0.031)	95K (27.84kW)
FG-PSBR-H30-LP/LPK	24	#72 (0.025)	115K (33.70kW)
FG-PSBR-H40-NG/NGK	32	#68 (0.031)	120K (35.16kW)
FG-PSBR-H40-LP/LPK	32	#72 (0.025)	150K (43.96kW)
FG-PSBR-H50-NG/NGK	40	#68 (0.031)	160K (46.89kW)
FG-PSBR-H50-LP/LPK	40	#72 (0.025)	175K (51.28kW)
FG-PSBR-H60-NG/NGK	48	#68 (0.031)	180K (52.75kW)
FG-PSBR-H60-LP/LPK	48	#72 (0.025)	200K (58.61kW)
FG-PSBR-H80-NG/NGK	64	#68 (0.031)	250K (73.27kW)
FG-PSBR-H80-LP/LPK	64	#72 (0.025)	240K (70.33kW)

**Table 2** Btu Specifications

**Disclaimer:** Btu listings are based on 7.0"WC for Natural Gas and 11.0"WC for Liquid Propane (LP) at the burner orifice. Flex line size and proper gas pipe sizing will also affect Btu's. As a result your Btu's may vary slightly from Table 2 specifications.



**Fig. 2** Clearance to Combustibles (Not to be used in an enclosed space)

Pressure	NG	LP
Min. Inlet	5.0" WC (1.24 kPa)	10.5" WC (2.61kPa)
Max. Inlet	10.5" WC (2.61kPa)	13.0" WC (3.23kPa)
Normal Inlet	7.0" WC (1.74kPa)	11.0" WC (2.73kPa)

**Table 3** Gas Pressures



## PREPARING A NON-COMBUSTIBLE STRUCTURE

The fire pit can be installed on a flat, stable surface, away from any combustible materials. Install fire pit on any level, outdoor non-combustible, flat stable surface or a combustible floor according to the clearances specified in this manual. **NOTE:** Do not place fire pit directly on grass, dirt, or rocks this may prevent proper ventilation. **Ensure proper water drainage is also incorporated into the fire pit enclosure.**

### HARD PIPING TO FIRE PIT WITHOUT GAS PROXIMITY

**NOTE:** Refer to the NFPA54 (National Fuel Gas Code) for proper pipe sizing. See gas line sizing chart on page 6 as a reference.

1. Turn **OFF** gas supply system. **NOTE:** All gas connections (except for brass to brass) require the following. Clean pipe threads using either a wire brush or steel wool. Apply pipe sealant to the fittings before making any connection.
2. Ensure all gas connections are snug, but do not over tighten! **BE CAREFUL!**
3. Install necessary pipe for the distance required and a manual shut-off valve at the exterior house wall. Check with local codes for proper procedures. If pipe is to pass through a foundation or house wall, make sure to seal the area around the pipe with weather sealant. Consult a plumber for proper installation to ensure you are providing adequate gas supply for your application.
4. The primary gas shut-off (not supplied) will require a ½" male flared fitting to enable connection of the stainless steel flex gas with the fire pit (see Fig. 12 page 10).

**WARNING:** Proper clearances from combustible materials must be maintained from all sides, top and bottom of this appliance. Use the specifications listed on this page for proper clearance to combustibles (See Table 1 and Fig. 2).

### **IMPORTANT**

Installation of Natural or LP gas should be done by a qualified installer, service agency or gas supplier. This appliance must be isolated from the gas supply piping system by closing its manual shutoff valve during any pressure testing of the gas supply piping system at test pressures equal to or less than ½" psi (3.5kPa)

### VENTILATION FOR NON-COMBUSTIBLE ENCLOSURE

Fire pits are subjected to many outdoor elements such as rain, snow, wind, heat or cold. **A minimum of 18 square inches (opposite sides) of cross ventilation is required to keep the components in good working order.** Use figure 3 as guide to assist to incorporate proper ventilation.

### INSTALLATION OF MEDIA INTO BURNER PAN

Install lava rock/media into the burner pan. Ensure the lava rock is a minimum of 1-inch diameter for proper operation. Do not block injector ends to allow gas to flow.

**Note:** Do not pour Lava Rock directly from bag. It should be placed naturally and NOT packed in tight. Loose fitting is important to ensure robust flames. Placing the lava rock in the pan by hand, ensures no excessive dust from bag lays in the bottom of pan and potentially plugs the injectors or the burner pan weep holes. **DO NOT BLOCK INJECTORS WITH MEDIA.**

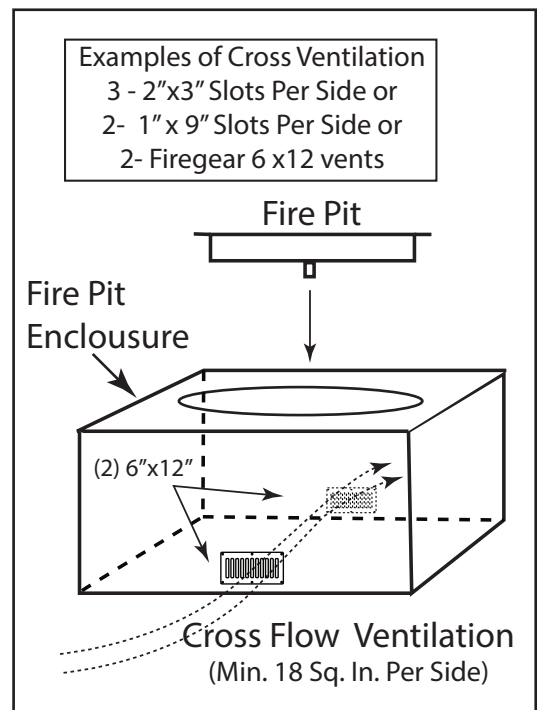


Fig. 3 Cross Ventilation Example



# GAS PIPE SIZING CHART

## NATURAL GAS : PIPE SIZING CHART

Length of Pipe in Feet	1/2"	3/4"	1"	1 - 1/4"	1 - 1/2"	2"	2 - 2 1/2"	3"	4"
10	108	230	387	793	1237	2259	3640	6434	-
20	75	160	280	569	877	1610	2613	5236	9521
30	61	129	224	471	719	1335	2165	4107	7859
40	52	110	196	401	635	1143	1867	3258	6795
50	46	98	177	364	560	1041	1680	2936	6142
60	42	89	159	336	513	957	1559	2684	5647
70	38	82	149	317	476	896	1447	2492	5250
80	36	76	140	239	443	840	1353	2315	4900
90	33	71	133	275	420	793	1288	2203	4667
100	32	68	126	266	411	775	1246	2128	4518
125	28	60	117	243	369	700	1143	1904	4065
150	25	54	105	215	327	625	1008	1689	3645
175	23	50	93	196	303	583	993	1554	3370
200	22	47	84	182	280	541	877	1437	3160
300	17	37	70	145	224	439	686	1139	2539

- Natural Gas (NG) flow is given in thousands of BTU/hr. = 1 cubic foot of NG gas - 1000 BTU
- Nominal pressure at the burner for Natural Gas is 3.5" of water column. (Typical machine supply 5"-7")
- Pipe length must include additional length for all fittings. Add approximately 5 feet of pipe per fitting.
- Natural Gas Example: A machine with a burner that requires 440,000 BTU would need a 1 -1/4" pipe for a 20" long run.

## LIQUID PROPANE : PIPE SIZING CHART

Length of Pipe in Feet	1/2"	3/4"	1"	1 - 1/4"	1 - 1/2"	2"	2 - 2 1/2"	3"	4"
10	275	567	1071	2205	3307	6221	10140	17990	35710
20	189	393	732	1496	2299	4331	7046	12510	25520
30	152	315	590	1212	1858	3465	5695	10110	20620
40	129	267	504	1039	1559	2992	4778	8481	17300
50	114	237	448	913	1417	2646	4343	7708	15730
60	103	217	409	834	1275	2394	3908	6936	14150
70	89	185	346	724	1086	2047	3329	5908	12050
80	78	162	307	630	976	1811	2991	5309	10830
90	69	146	275	567	866	1606	2654	4711	9613
100	63	132	252	511	787	1496	2412	4281	8736
125	54	112	209	439	665	1282	2083	3618	7382
150	48	100	185	390	590	1138	1808	3210	6549
175	43	90	168	353	534	1030	1637	2905	5927
200	40	83	155	325	491	947	1505	2671	5450
300	37	77	144	303	458	887	1404	2492	5084

- Liquid Propane (LP) Gas flow is given in thousands of BTU/hr. = 1 cubic foot of LP gas - 2500 BTU.
- This chart refers to low pressure LP, after regulation, Standard nominal pressure at the burner for Liquid Propane Gas is 11" of water column.
- Pipe length must include additional length for all fittings. Add approximately 5 feet of pipe per fitting.
- LP Example: A machine with a burner that requires 440,000 BTU would need a 1" pipe for a 20' long run.

NOTE: The sizing charts above list the specific pipe sizes required for the amount of BTU's for a new gas line installations. If you are using an existing gas line you must take into consideration the existing gas line capacities to ensure you will have proper pressure. **This chart is for reference only, we recommend you consult with a Licensed Plumber/Gas Fitter or NFPA54 (National Fuel Gas Code - current edition) for more details.**

**Table 4** Gas Pipe Sizing Chart



## INSTALLATION OF FIRE PIT INTO AN APPROVED ENCLOSURE

### REQUIREMENTS

1. Only non-combustible materials should come in direct contact with any part of the fire pit. Underneath area should be non-combustible or a flat level combustible surface according to the clearances specified in this manual.
2. Refer to the NFPA54 (National Fuel Gas Code) for proper pipe sizing. Determine the size of the fire pit you are preparing to install (Refer to page 6).
3. Determine the size of the round or square fire pit you are preparing to install (Refer to page 4).
4. You must provide a round or square opening to place the fire pit into the non-combustible enclosure. A minimum burner pan dimension is listed in Table 1.
5. Follow the local code requirements for the gas type being used. This fire pit should be installed in accordance with local codes and ordinances or in the absence of local codes, with the latest National Fuel Gas Code, ANSI Z223.1 NFPA54 or CSA B149.1, Natural and Propane Installation Code in Canada.
6. Fire pits create high temperatures, it is very important to have any combustibles at a safe distance.
7. Do not fill the enclosure cavity with gravel, rock or sand. The enclosure requires free flowing air underneath to keep it cool and provide ventilation to prevent moisture, and additional provided an outlet for gas to escape if a leak occurs.
8. **CAUTION: A minimum of 18 square inches of cross ventilation (per opposite sides) is required to keep the enclosure dry.**
9. These products are designed for outdoor use only. **Not approved for any indoor use or any enclosed space.**
10. This fire pit is designed to have Firegear Outdoors lava rock or glass media completely covering the burner, so that the burner is not visible. Ensure the ends of the injectors are not blocked. Use lava rock a minimum of 1" diameter as a base to fill the burner pan. **DO NOT USE STONE OR RIVER ROCK.**
11. Gas lines and fittings must be installed in to the non-combustible structure. All gas connections must be leak tested before installation of the fire pit. Soapy water leak detection is required before regular use of the fire pit.
12. Do not use material that will absorb moisture over time and will not release this moisture quickly. Moisture can boil in this material and can rapidly break apart and cause damage or personal injury.
13. Never leave any combustible material on top of the fire pit. This could cause unsafe operation of this system and damage to the component that will not be covered under our warranty.
14. **Ensure proper water drainage is also incorporated into the fire pit enclosure.**

### PRO H-BURNER INFORMATION

All Pro H-burners come ready to install and have a  $\frac{3}{8}$ " male center nipple. The burner must be installed as shown in Fig. 4 with center nipple facing downward. Ensure to seal each NPT fitting with thread tape or pipe compound.

**NOTE:** Flared fittings do not require tape or compound.

**Pro H-Burner Kit:** Includes Brass H-Burner, nipple, flared fitting, brass supports & hardware, manual key valve with 12-inch key and 46" flex connector.

**Pro H-Burner Only:** Includes Brass H-burner, nipple, brass supports & hardware.



## PRO H-BURNER ASSEMBLY

The burner pan requires a center hole a minimum of  $\frac{7}{8}$  -inch in diameter (Fig. 4). The burner also is supplied with (3) brass burner supports required for assembly (Fig. 6).

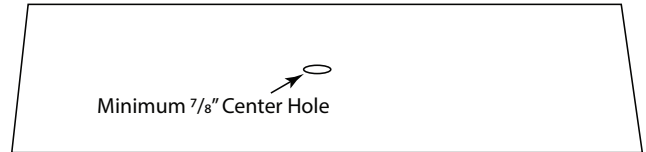


Fig. 4 Shows burner pan center hole.

**Step 1:** Install the nipple into the Pro Spur burner (Fig. 5).

**Note:** Use Teflon tape or compound rated for gas to seal the threads.

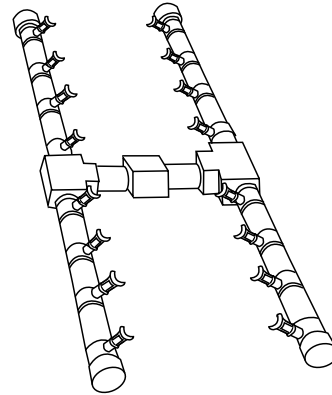


Fig. 5 Shows burner with nipple installed.

**Step 2:** Using the brass burner supports (supplied) in Fig. 6, install one support on every other leg, 2-inches from the end of each leg. See Fig. 7. **Note:** The Pro Spur will fit snug into each burner support.

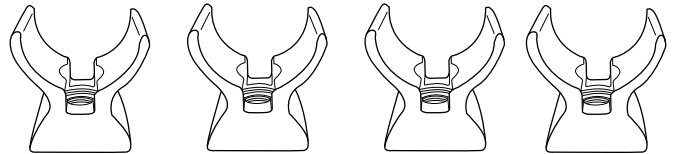


Fig. 6 Brass burner supports.

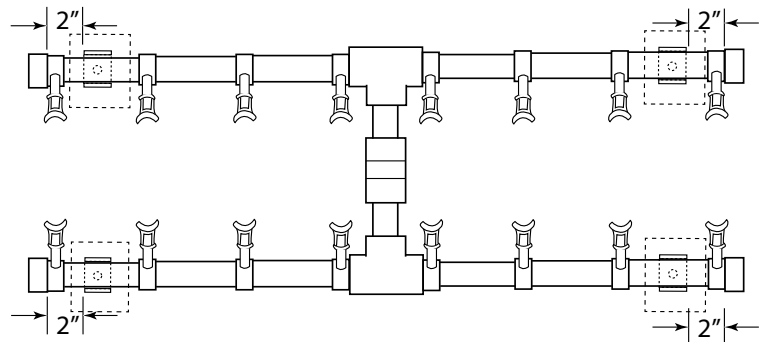


Fig. 7 Locating brass burner supports.

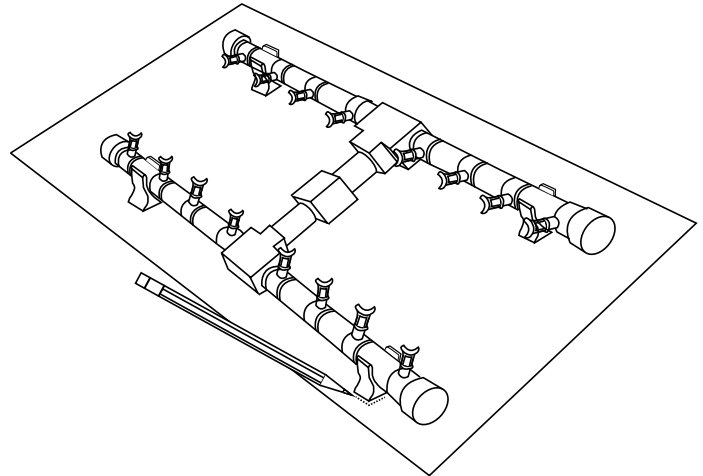




## PRO H-BURNER ASSEMBLY

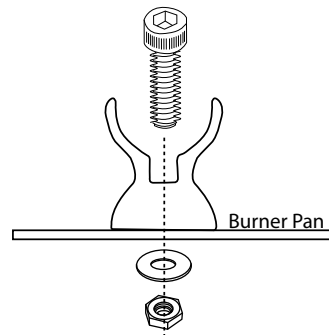
**Step 3:** After the burner supports are installed, set the Pro H-burner into the burner pan, using the nipple to center the Spur burner inside the pan (Fig. 8). While holding the burner place, use a pencil or marker to trace around each burner support to mark their location. Remove the H-burner from the pan to reveal the outlined area for each burner support.

**Step 4:** Remove one burner support from a leg of the H-burner and align it over the outlined area of each burner support to mark the center line holes, that will hold the supports into place.



**Fig. 8** Tracing burner supports.

**Step 5:** Drill (4) 1/4" holes into the burner pan to attach the burner supports. See Fig. 9.



**Fig. 9** Shows assembly of burner support to pan.

**Step 6:** Using the 5/32" Allen wrench (not supplied) screw, nut and washer for each burner support secure them to the burner pan.

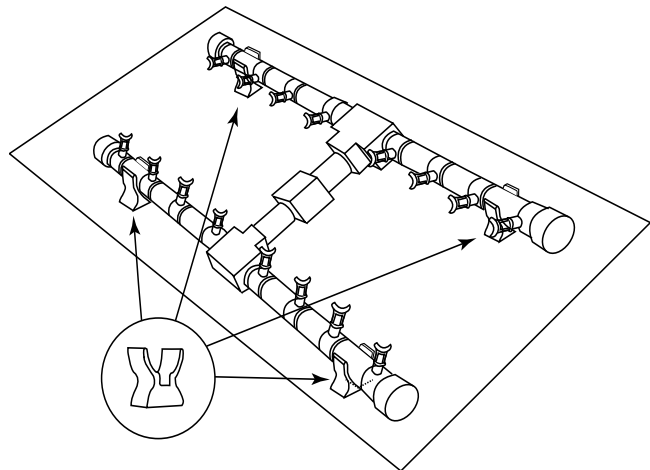
**Step 7:** Install the Pro H-burner back into the burner pan aligning the legs with the burner supports and install the flared fitting to enable the flex gas line to be installed.

After the gas line is secure the Pro H-Burners will be held securely in place on the burner pan.

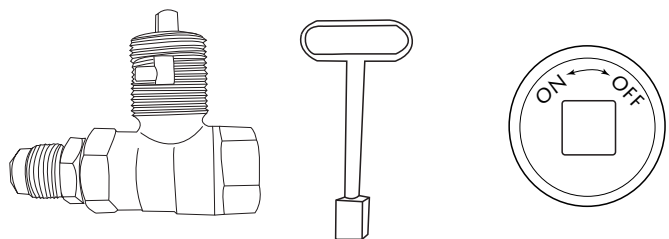
### **INSTALLING KEY VALVE**

**Note:** It is recommended to use the key valve assembly provided in the Pro H-Burner kit. Otherwise, you will need to provide a key valve for the installation.

The key valve contents: 1- key valve, 1- key and 1- flange. (See Fig. 11). The valve requires a 1 1/4" round clearance hole in the non-combustible enclosure wall. See the instructions supplied with the key valve for more specific details. **Note:** Be sure to leak test all fitting before operation. Fig. 12 shows an example of a typical installation on page 10.



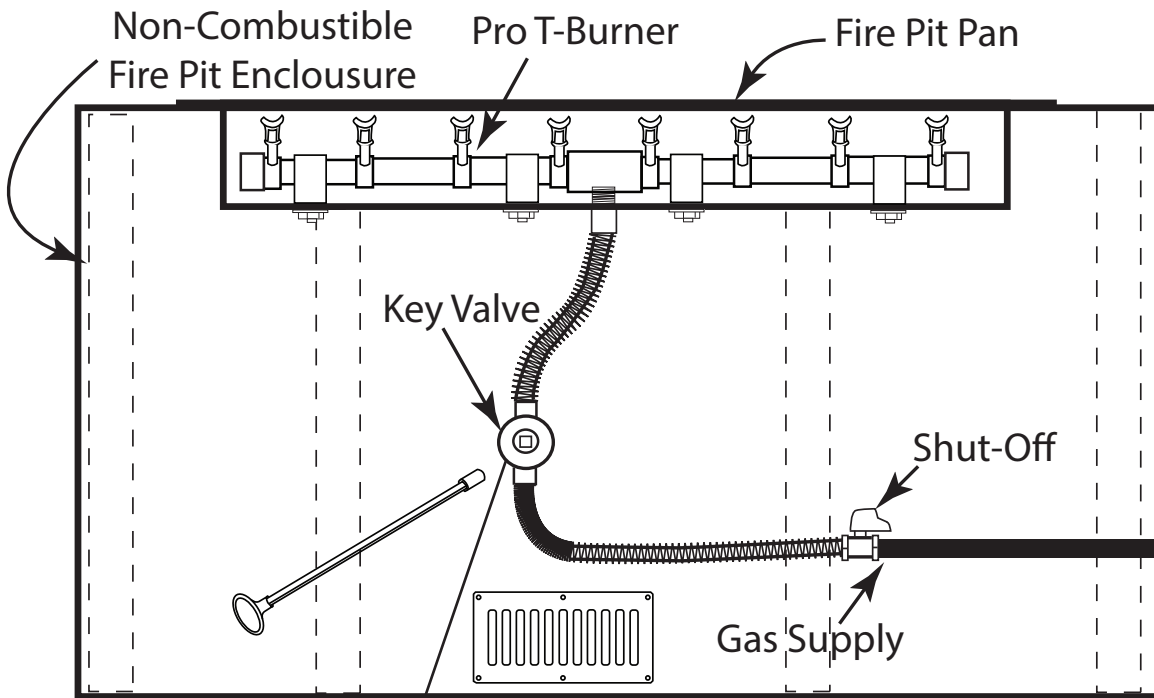
**Fig. 10** Shows assembly of burner into pan.



**Fig. 11** Key valve components.

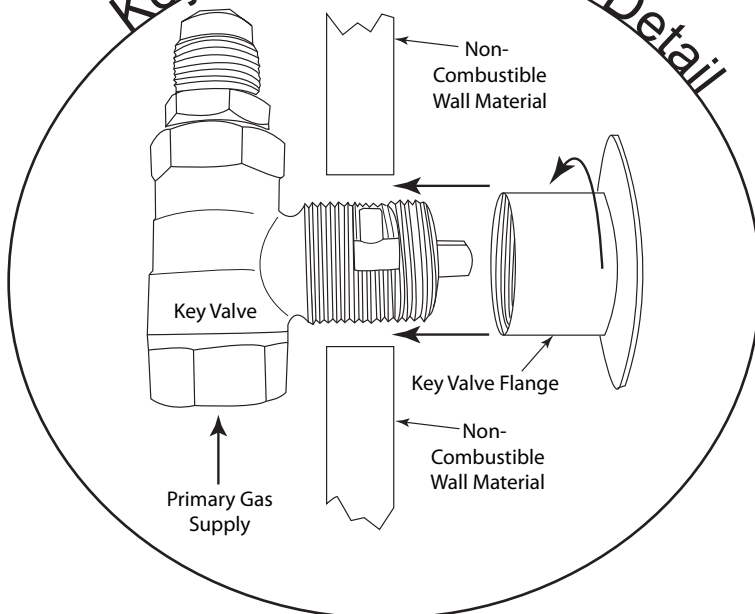


# TYPICAL INSTALLATION DRAWINGS

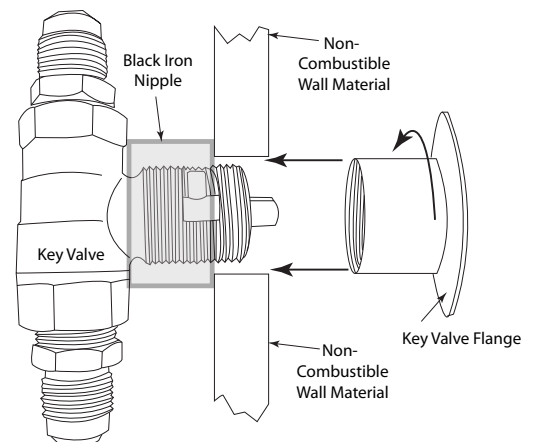


**NOTE:** Key valve and flexible gas lines are supplied. Gas shut-off is not supplied.

## Key Valve Side View Detail



**Note:** A 1 1/4" x 2" black iron or galvanized coupler/nipple (not supplied) can be used as a spacer between the manual valve and the valve flange to add additional support to hold the manual key valve in place.



**Fig. 12** Typical installation.



## OPERATION

**CAUTION:** Children and adults should be alerted to the hazards on high surface temperatures and should stay away to avoid burns or clothing ignition. Young children should be carefully supervised when they are in the area of the appliance.

**WARNING:** Do not use this appliance if any part has been under water. Immediately call a qualified service technician to inspect the appliance and to replace any part of control system and any gas control, which has been under water.

### SAFETY WARNINGS

1. Never leave the fire pit unattended during operation.
2. Clothing or other flammable materials should not be placed on or near the appliance.
3. Any guard or other protective device removed for servicing the appliance must be replaced prior to operating the appliance.
4. Installation and repair should be done by a qualified service person. The appliance should be inspected before use and at least annually by a qualified service person. More frequent cleaning may be required as necessary. It is imperative the control compartment, burners and circulating air passageways of the appliance be kept clean.
5. Inspect the fuel supply connection before each use of the appliance.
6. Temporary storage of this appliance indoors is permissible only if it has been disconnected from its fuel supply (Natural or Propane gas line).

### WARNING

1. This appliance is hot when operated and can cause severe burns if contacted.
2. Do not burn any solid fuels in this appliance.

## LIGHTING INSTRUCTIONS

### READ ALL WARNING AND SAFETY INFORMATION ABOVE BEFORE ATTEMPTING TO LIGHT FIRE PIT

**CAUTION:** Ensure you have leak tested the fire pit before operating.

### TURNING ON FIRE PIT

1. Insert key into shut-off valve and secure into square end (See Figs. 13 & 14).
2. Light a long match or butane lighter and hold it near the burner (See Fig. 15).
3. Turn the key slowly counter-clockwise in key valve (ON position) to allow gas to flow and simultaneously apply the long burning match or Butane lighter as close to the end burner as possible to light the fire pit.
4. Gas should ignite within 10 seconds or less. If fire pit does not light within 10 seconds turn key clockwise to turn **OFF** the gas supply. Ensure there is not too much media on top of the burner that might inhibit gas flow and try again in 5 minutes.

### TURNING OFF FIRE PIT

1. Insert key into shut-off valve and secure into square end.
2. Turn key clockwise until it stops.
3. After cooling off install cover.

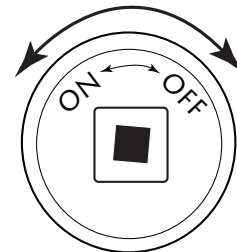


Fig. 13 Key Valve Face

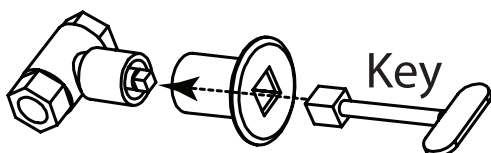


Fig. 14 Inserting Key into Valve

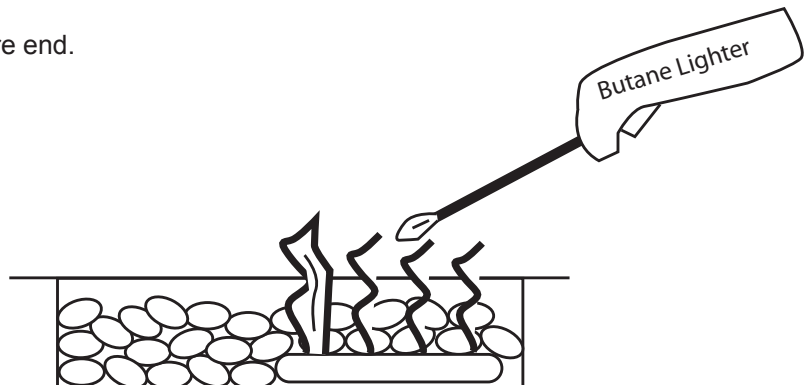
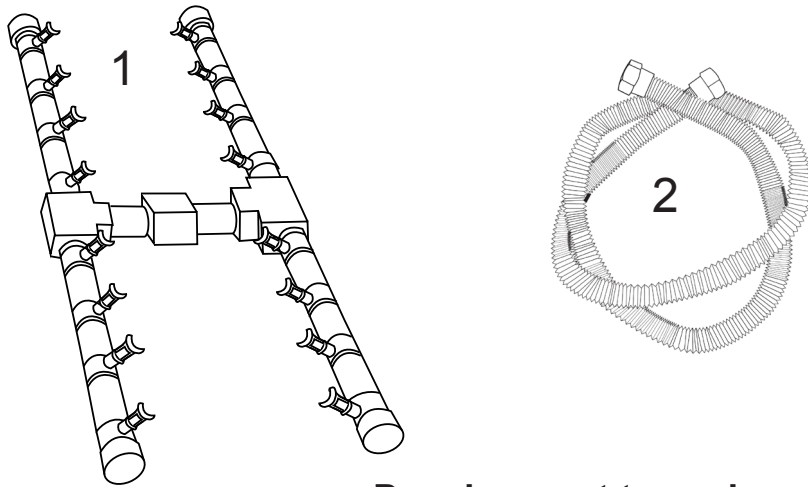


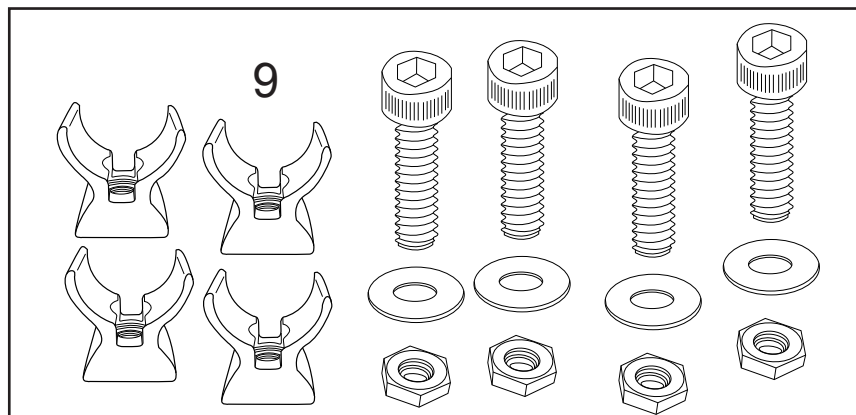
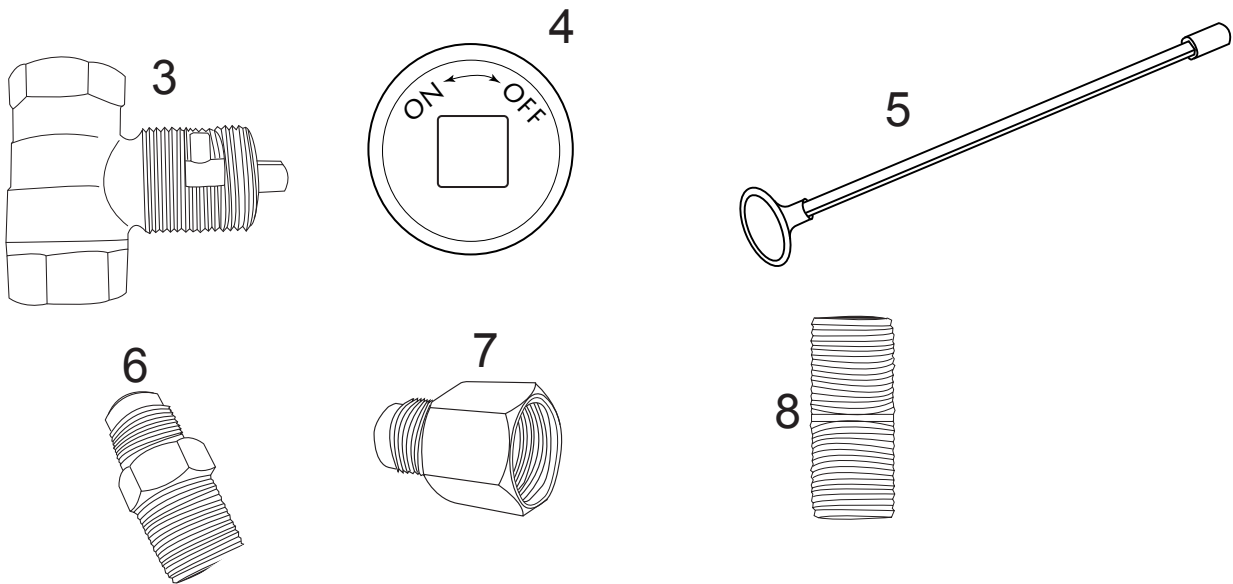
Fig. 15 Lighting fire pit with lighter



# REPLACEMENT PARTS



Drawings not to scale.



## PRO H-BURNER REPLACEMENT PARTS

Item	Description	Qty.	Part Number
1	24" Pro H-Burner (Burner only) Natural Gas	1	10630
1	30" Pro H-Burner (Burner only) Natural Gas	1	10631
1	40" Pro H-Burner (Burner only) Natural Gas	1	10632
1	50" Pro H-Burner (Burner only) Natural Gas	1	10633
1	60" Pro H-Burner (Burner only) Natural Gas	1	10634
1	80" Pro H-Burner (Burner only) Natural Gas	1	10635
1	24" Pro H-Burner (Burner only) Propane Gas	1	10803
1	30" Pro H-Burner (Burner only) Propane Gas	1	10804
1	40" Pro H-Burner (Burner only) Propane Gas	1	10805
1	50" Pro H-Burner (Burner only) Propane Gas	1	10806
1	60" Pro H-Burner (Burner only) Propane Gas	1	10807
1	80" Pro H-Burner (Burner only) Propane Gas	1	10808
2	1/2" Flex Gas Line (46-inch Length) (used with all kits)	1	T200-9898-46
3	Key Valve	1	BVL2S
4	Chrome Plated Flange Cover	1	CVR-BVL2CP
5	12-inch Chrome Key (used with all key valves)	1	KEY-PC-12
6	1/2" Flare to 1/2" MIP Fitting (used with all kits)	1	U1-8D-S
7	1/2" Flare to 3/8" FIP Fitting (used with all kits)	1	46-86
8	3/8" MIP x 2" Stainless Steel Nipple	1	10858
9	Brass Burner Supports & Hardware Bag	4	10850

## FIRE PIT MAINTENANCE

1. The fire pit should be inspected and cleaned before initial use at least annually by a qualified field service person.
2. Any component that is found faulty must be replaced with an approved component.
3. Any tampering or modifying with the fire pit is dangerous and voids all warranties.
4. During winter months in cold climates and various seasons operation the fire pit may be affected by weather conditions. It is recommended to use a ventilated cover ovetop of your fire pit to protect it from humid/rainy weather conditions when not in use. Heavy rains/downpours could affect the fire pit operation if not covered; if this occurs ensure you allow the fire pit time to dry out before attempting to operate. **NOTE:** If a combustibile type cover is used over the fire pit when not in use be sure to remove it before operation to prevent a severe safety hazard.

### **Brass Burner Maintenance Information:**

- Dust in injector - Use compressed air from aerosol can or compressor.
- Check for bug nests or stubborn debris - replacement where necessary.

**Note:** Always use safety equipment including but not limited to SAFETY glasses or goggles when using compressed air and consider a disposable mask for particulate.

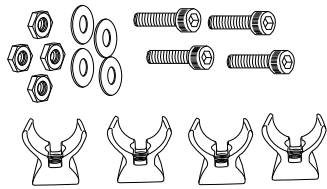


# PRO H-BURNER CONTENTS

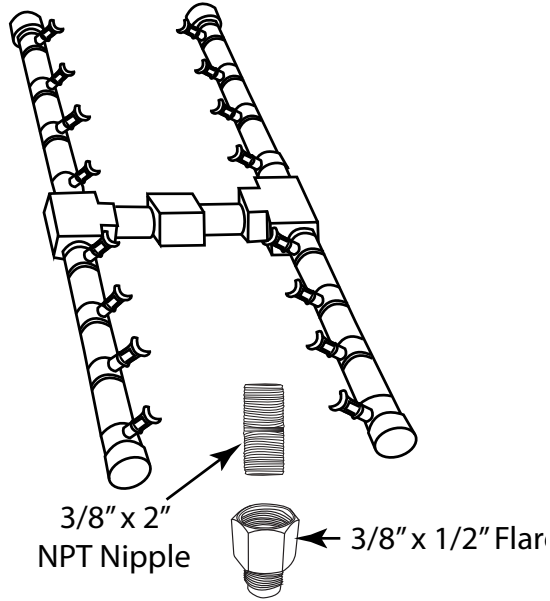
## Pro H-Burner Only

### Models

FG-PSBR-H24-NG or LP  
 FG-PSBR-H30-NG or LP  
 FG-PSBR-H40-NG or LP  
 FG-PSBR-H50-NG or LP  
 FG-PSBR-H60-NG or LP  
 FG-PSBR-H80-NG or LP



Brass Burner Supports



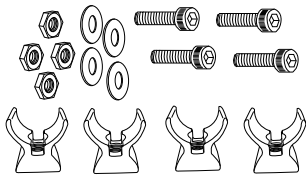
3/8" x 2"  
NPT Nipple

3/8" x 1/2" Flare

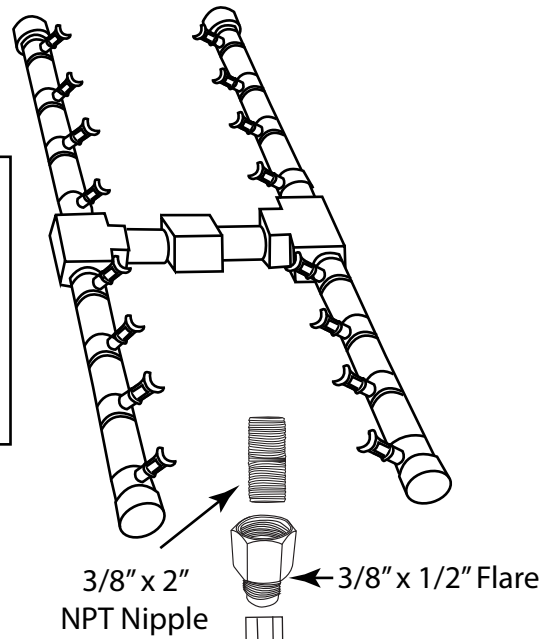
## Pro H-Burner Kit

### Models

FG-PSBR-H24-NGK or LPK  
 FG-PSBR-H30-NGK or LPK  
 FG-PSBR-H40-NGK or LPK  
 FG-PSBR-H50-NGK or LPK  
 FG-PSBR-H60-NGK or LPK  
 FG-PSBR-H80-NGK or LPK

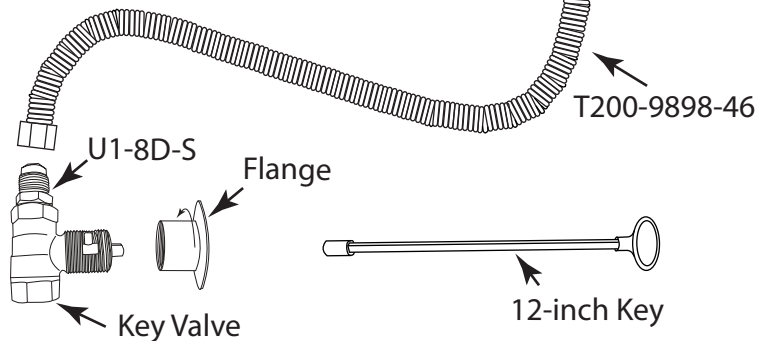


Brass Burner Supports



3/8" x 2"  
NPT Nipple

3/8" x 1/2" Flare



T200-9898-46

U1-8D-S

Flange

Key Valve

12-inch Key



## ACCESSORIES

The following accessories are available from your local Firegear Outdoors dealer/distributor.

<p style="text-align: center;"><i>Linear Flat Pan/Disc</i></p> <p><b>Model:</b> 78048 (24" x 14") 78049 (36" x 14") 78050 (48" x 14") 78051 (60" x 16") 78052 (72" x 16") 78053 (84" x 16")</p> <p><b>Fits Spur Model</b> FG-PSBR-H24 FG-PSBR-H30 FG-PSBR-H40 FG-PSBR-H50 FG-PSBR-H60 FG-PSBR-H80</p>	<p style="text-align: center;"><i>Lava Stones</i></p> <p><b>Model:</b> FG-LS50 - 50lb. bag; 1" to 2" diameter</p> <p style="text-align: center;"><i>Lava Rock</i></p> <p><b>Model:</b> FG-LAVA10 (10 lb. jug) FG-LAVA40 (1 Cubic Foot) 1" to 2" diameter</p>	<p style="text-align: center;"><i>E-STOP</i></p> <p>Gas shut-off valve with mechanical timer and emergency shut-off.</p> <p><b>Models:</b> ESTOP1-0H                      1-hour timer</p>
<p style="text-align: center;"><i>Fireglass/Liquid Glass/ Reflective Glass</i></p> <p>Sold in 10lb jugs in various colors. See your Firegear dealer for various options.</p>	<p style="text-align: center;"><i>Paver System</i></p> <p><b>Model:</b> PAVER-CP-MT Paver bracket, key valve &amp; parts for match throw system</p>	<p style="text-align: center;"><i>Flexframe</i></p> <p>Universal brackets to support a fire pit disc when using paver or other non-combustible enclosures.</p> <p><b>Models:</b> FLEXFRAME-SS (2-piece) <b>Models:</b> FLEXFRAME-SS3 (3-piece)</p>
<p style="text-align: center;"><i>Paver Vents</i></p> <p><b>Model:</b> PAVER-VENT-4-LNTS 2 - paver brackets, parts and 2 - 4" vents. Provides 18 sq. in. of ventilation</p>	<p style="text-align: center;"><i>Paver Vents</i></p> <p><b>Model:</b> PAVER-VENT-6-LNTS 2 - paver brackets, parts and 2 - 6" vents. Provides 18 sq. in. of ventilation</p>	<p style="text-align: center;"><i>Paver Vents</i></p> <p><b>Model:</b> PAVER-VENT-6X12SS 2 - 6"x12" vents and screws. Provides 18 sq. in. of ventilation</p>

See Firegear Outdoors catalog for other accessories.

## TROUBLE SHOOTING

### Symptom

### Remedy

Fire pit won't light

1. Bleed gas line.
2. Ensure all gas supply lines are turned ON.
3. Ensure there is not too much media overtop of burner; it can inhibit gas from flowing.
4. Check gas pressure.

Low flame

1. Ensure the base media is at least 1-inch in diameter and top media is no more than 1-inch over top of burner.
2. Ensure all shut-off valves and key valve is fully open. See page 10; Fig. 12
3. Check gas pressure.

Water in my fire pit

1. Excess dust/sand material from media may be blocking the weep holes to relieve water. Remove all media and unplug weep holes. Clean or install new media free of dust and dirt.
2. Ensure fire pit enclosure has proper drainage for water and proper ventilation to dry out.

**FOR TECHNICAL SERVICE, CALL: (800) 966-8126**

Firegear Outdoors  
17322 Gothard St.  
Huntington Beach, CA 92647

*Manual changes often occur, ensure to check the Firegear Outdoor website for any recent updates and warranty information.*



## **FIREGEAR LIMITED WARRANTY - 2021**

Firegear Outdoors hereby warrants to the end user that products will be free from material and workmanship defects that prevent safe and correct operation of the product. The warranty commences from date of sale to the end user for the following period:

### **CONSUMER RESIDENTIAL APPLICATIONS – MANUFACTURED AFTER 12/02/2019**

- BURNER SYSTEMS, BURNERS, COMPONENTS AND ACCESSORIES
- LIFETIME WARRANTY ON CONSTRUCTION AND MANUFACTURER DEFECTS
- LIFETIME WARRANTY - STAINLESS STEEL BURNERS AND PANS
- LIFETIME WARRANTY - BRASS BURNERS
- FIVE (5) YEAR WARRANTY - GAS VALVE, SPARK IGNITER, PILOT ASSEMBLIES
- FIVE (5) YEAR WARRANTY - AWS ELECTRONIC IGNITION SYSTEMS (24VAC, 30 VDC)
- FIVE (5) YEAR WARRANTY - TFS/TMSI ELECTRONIC COMPONENTS
- FIVE (5) YEAR WARRANTY – MT COMPONENTS (KEY VALVE)
- FIVE (5) YEAR WARRANTY - REFRACTORY GAS LOG SETS
- FIVE (5) YEAR WARRANTY - READY TO FINISH/ANF FIRE PIT ENCLOSURES
- FIVE (5) YEAR WARRANTY – SKYTECH MANUFACTURED OPTIONAL CONTROLS

### **OUTDOOR FIREPLACE – KALEA BAY**

- LIFETIME WARRANTY - CONSTRUCTION AND MANUFACTURER DEFECTS
- LIFETIME WARRANTY - STAINLESS STEEL COMPONENTS
- FIVE (5) YEAR WARRANTY - GAS VALVE, PILOT ASSEMBLY, POWER SUPPLY, CONTROLS
- FIVE (5) YEAR WARRANTY – SKYTECH MANUFACTURED OPTIONAL CONTROLS

### **SANCTUARY SERIES – GFRC FIRE FEATURES**

- THREE (3) YEAR WARRANTY - GFRC STRUCTURE
- REFER TO THE APPROPRIATE BURNER SYSTEM FOR WARRANT

*WARRANTY COVERS MANUFACTURING DEFECTS OR STRUCTURAL FAILURE. SMALL STRESS CRACKS AND SURFACE CRAZING ARE A NATURAL OCCURRENCE IN GFRC PRODUCTS AND NOT COVERED BY WARRANTY.*

### **READY TO FINISH/ANF ENCLOSURES**

- FRAME – LIFETIME WARRANTY ON CONSTRUCTION AND MANUFACTURER DEFECTS

### **ACCESSORIES**

- LIFETIME WARRANTY - CONSTRUCTION AND MANUFACTURER DEFECTS
- LIFETIME WARRANTY - STAINLESS STEEL COMPONENTS (LIDS, STAINLESS STEEL COVERS)
- ONE (1) YEAR WARRANTY – ESTOP1-OH, ESTOP2-5H WINDSHIELDS, HOSES AND REGULATORS





## **COMMERCIAL APPLICATIONS – MANUFACTURED AFTER 12/02/2019**

### **BURNER SYSTEMS, BURNERS, COMPONENTS AND ACCESSORIES**

- TWO (2) YEAR WARRANTY ON CONSTRUCTION AND MANUFACTURER DEFECTS
- TWO (2) YEAR WARRANTY - STAINLESS STEEL BURNERS AND PANS
- TWO (2) YEAR WARRANTY - BRASS BURNERS
- TWO (2) YEAR WARRANTY - GAS VALVE, SPARK IGNITER, PILOT ASSEMBLIES
- TWO (2) YEAR WARRANTY - AWS ELECTRONIC IGNITION SYSTEMS (24VAC, 30 VDC)
- TWO (2) YEAR WARRANTY – MT COMPONENTS (KEY VALVE)
- TWO (2) YEAR WARRANTY - REFRACTORY GAS LOG SETS
- FIVE (5) YEAR WARRANTY - READY TO FINISH/ANF FIRE PIT ENCLOSURES
- TWO (2) YEAR WARRANTY – SKYTECH MANUFACTURED OPTIONAL CONTROLS

### **OUTDOOR FIREPLACE – KALEA BAY**

- LIFETIME WARRANTY - CONSTRUCTION AND MANUFACTURER DEFECTS
- LIFETIME WARRANTY - STAINLESS STEEL COMPONENTS
- TWO (2) YEAR WARRANTY - GAS VALVE, PILOT ASSEMBLY, POWER SUPPLY, CONTROLS
- TWO (2) YEAR WARRANTY – SKYTECH MANUFACTURED OPTIONAL CONTROLS

### **SANCTUARY SERIES – GFRC FIRE FEATURES**

- THREE (3) YEAR WARRANTY - GFRC STRUCTURE
- REFER TO THE APPROPRIATE BURNER SYSTEM FOR WARRANTY  
*WARRANTY COVERS MANUFACTURING DEFECTS OR STRUCTURAL FAILURE. SMALL STRESS CRACKS AND SURFACE CRAZING ARE A NATURAL OCCURRENCE IN GFRC PRODUCTS AND NOT COVERED BY WARRANTY.*

### **READY TO FINISH/ANF ENCLOSURES**

- FRAME – LIFETIME WARRANTY ON CONSTRUCTION AND MANUFACTURER DEFECTS

### **ACCESSORIES**

- LIFETIME WARRANTY - CONSTRUCTION AND MANUFACTURER DEFECTS
- LIFETIME WARRANTY - STAINLESS STEEL COMPONENTS (LIDS, STAINLESS STEEL COVERS)
- ONE (1) YEAR WARRANTY – ESTOP1-OH, ESTOP2-5H WINDSHIELDS, HOSES AND REGULATORS



The end-user must provide a bill of sale, canceled check, or payment record to verify the purchase date and to establish the warranty period. This Limited Warranty shall be valid and limited to the original purchaser only.

**WARNING:** Any modification to the product will void the warranty.

This Limited Warranty shall be limited to the repair and/or replacement of parts that have been proven to be defective under normal use and service. All warranty claims must be made by the OEM/Distributor/Dealer account on behalf of the end-user. You may contact Technical Support at 800-966-8126.

Our Technical Service Department must confirm all approved defects. If a defect is confirmed and we approve the claim, we will replace such parts without charge. This warranty gives you specific legal rights, and you may also have other rights, which vary from state to state.

The manufacturer may request defective products returned with an RMA (Return Merchandise Authorization) issued by Firegear Outdoors for specific products, which is considered to be the nature of the defect and or warranty claim. Product to be returned should; be packed so as not to incur damages during transportation. Firegear is not responsible for damages on returned items. RMA is valid for thirty (30) days from the date issued. The RMA must be clearly marked on the outside of the package.

Please check with your local building code department or governing agency for proper approvals before purchasing. Firegear Outdoors is not responsible for any violation of local codes.

Travel, diagnostic cost, service labor to repair the defect on warranty parts to and from the factory will be the responsibility of the owner. We will not be responsible for labor charges and/or damage incurred in installation, repair, and replacement. Firegear is not responsible for Issues related to gas or electrical installation.

The Limited Warranty is voided if not assembled, installed, and operated as intended. This Limited Warranty does not cover any defects due to accident, abuse, misuse, alteration, misapplication, vandalism, improper installation or improper maintenance or service, removal from the original location, or re-installation into another location, or failure to perform normal and routine maintenance.

Damage due to severe weather conditions such as hail, hurricanes, earthquakes, tornadoes, discoloration due to overheating, exposure to chemicals (including chlorine and salt), either directly or in the atmosphere, or very high humidity, is not covered by this Limited Warranty. Coastal, humid and/or salt environments are subject to manufacturer review. All out-of-box claims must be made within 30 days of purchase and must be made prior to installation. Any product installed damaged will be considered damaged during installation and not covered under warranty.

There are no other express warranties except as set forth herein. For consumer applications, any applicable implied warranties of merchantability and fitness are limited in duration to the period of coverage of this Limited Warranty. Some states do not allow limitation on how long an implied warranty lasts, so this limitation may not apply to you.

For Commercial Applications, the liability of Firegear Outdoors is limited to the express terms of this warranty. We expressly disclaim any and all implied warranties, including any warranties of fitness for a particular purpose or merchantability.



We are not liable for any special, indirect or consequential damages. Our maximum liability is limited to the purchase price of the purchased units. Some states do not allow the exclusion or limitation of incidental or consequential damages, so this limitation or exclusion may not apply to you.

We do not authorize any person or company to assume for it any other obligation or liability in connection with the sale, installation, use, removal, return, or replacement of its equipment, and or such representation are binding.

Firegear Outdoors  
17322 Gothard St.  
Huntington Beach, CA 92647





Having problems getting the gas appliance to operate?  
Don't leave the job site! We want to help! Call 800.966.8126 for  
Technical Support between the hours of 8:00AM to 5:00PM PST.  
**BEFORE YOU CALL WE WILL NEED THIS INFORMATION**

1. Model Number: \_\_\_\_\_
2. Serial Number: \_\_\_\_\_
3. How long is the gas line run? Nat Gas \_\_\_\_ LP Gas \_\_\_\_
4. What size is gas line? \_\_\_\_\_
5. Inlet Gas Pressure: \_\_\_\_\_ WC  
Manifold Gas Pressure: \_\_\_\_\_ WC
6. What type of media are you using? \_\_\_\_\_
7. Review the troubleshooting section in the installation manual.
8. What are the symptoms? Please be prepared to explain.
9. Be prepared to send photos to us when on the phone.
10. Found missing or damaged parts? Let us know ASAP or send photos.

