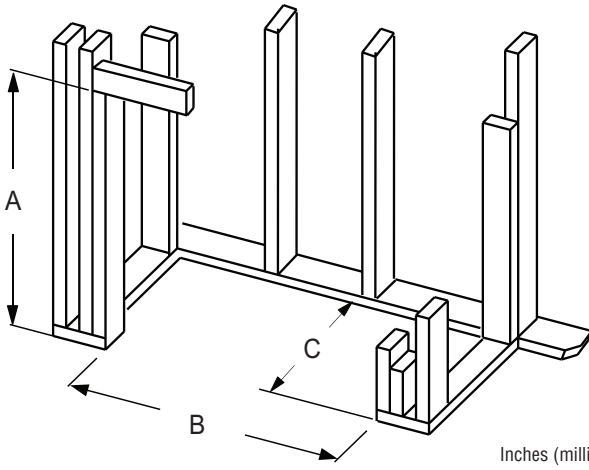


BRT4000/4300 36/42 SERIES

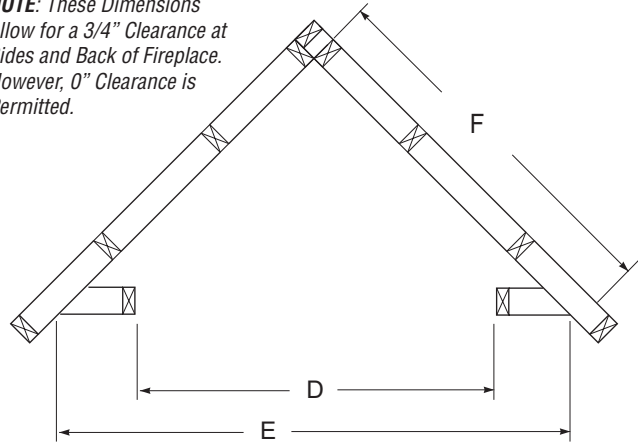
B-VENT FIREPLACES

Framing Dimensions



Inches (millimeters)

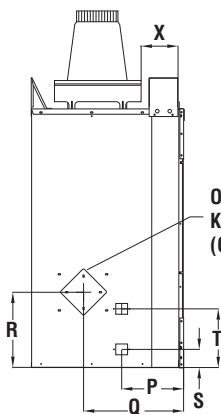
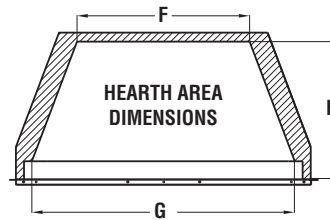
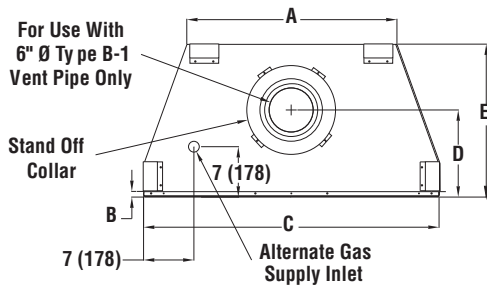
NOTE: These Dimensions Allow for a 3/4" Clearance at Sides and Back of Fireplace. However, 0" Clearance is Permitted.



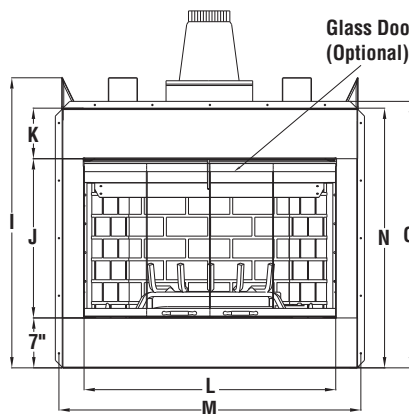
Models	A	B	C
36"	40-3/8 (1026)	41-1/4 (1048)	21-3/8 (543)
42"	44-3/8 (1127)	48-1/4 (1226)	23-1/8 (588)

Models	D	E	F
36"	41-1/4 (1048)	73-7/8 (1877)	52-1/4 (1327)
42"	48-1/4 (1226)	83-7/8 (2131)	59-3/8 (1508)

Fireplace Dimensions



Outside Air Kit Location (Optional)



Glass Door (Optional)

1-1/2 (38)

13-1/2 (343)

	36" Model	42" Model
A	29 (737)	36 (915)
B	5/8 (16)	5/8 (16)
C	41 (1042)	48 (1220)
D	12 (305)	14 (356)
E	21-1/4 (540)	23 (585)
F	22-1/4 (566)	29-1/4 (743)
G	32-5/8 (829)	39-1/2 (1004)
H	15-3/4 (400)	17-3/4 (451)
I	40-1/4 (1023)	44-1/4 (1124)
J	21 (534)	24 (610)
K	8 (204)	9 (229)
L	34-3/4 (883)	42 (1067)
M	42 (1067)	49 (1245)
N	36 (915)	40 (1016)
O	37 (940)	41 (1042)
P	8-5/8 (220)	10-1/2 (267)
Q	13-7/8 (353)	14 (356)
R	10-1/2 (267)	12-1/2 (318)
S	2-1/2 (64)	2-1/2 (64)
T	8-1/8 (207)	8-1/8 (207)
U	11 (280)	12-3/4 (324)
V	7 (178)	7 (178)
W	2-1/4 (58)	2-1/4 (58)
X	5 (127)	4-1/2 (115)

Diagrams, illustrations and photographs are not to scale. Consult installation instructions. Product designs, materials, dimensions, specifications, colors, and prices are subject to change or discontinuance without notice.

BRT4000/4300 36/42 SERIES

Product Information

Cat. #	Model	Interior	Weight	Cu. Ft.
F3208	BRT4336TEN-B	WS	240 lb.	23.8
F3209	BRT4336TEP-B	WS	240 lb.	23.8
F3206	BRT4336TMN-B	WS	240 lb.	23.8
F3207	BRT4336TMP-B	WS	240 lb.	23.8
F3212	BRT4342TEN-B	WS	257 lb.	32
F3213	BRT4342TEP-B	WS	257 lb.	32
F3210	BRT4342TMN-B	WS	257 lb.	32
F3211	BRT4342TMP-B	WS	257 lb.	32

Listing Information

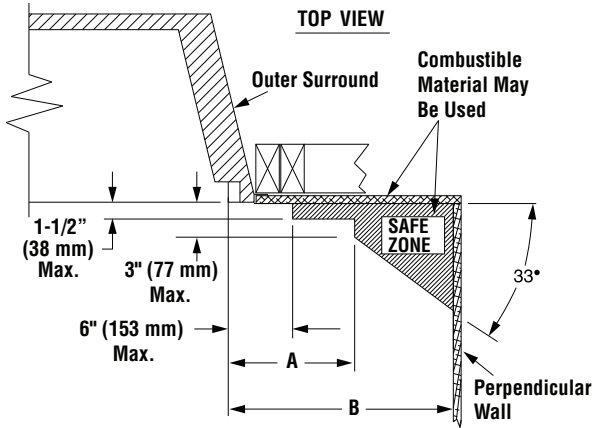


Report No. F09-143

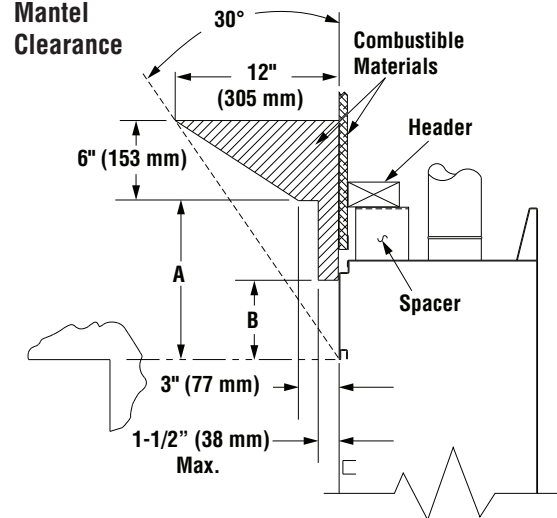
This fireplace complies with the National Safety Standards and is listed by PFS Corporation to ANSI Z21.50/CSA 2.22 standard as a vented gas fireplace.

Clearances

Side Wall Clearance



Mantel Clearance



Side Wall Clearance		
	36"	42"
A	9" (229 mm)	6" (153 mm)
B	12" (305 mm)	9" (229 mm)

Mantel Clearance		
	36"	42"
A	14" (356 mm)	15" (381 mm)
B	8" (204 mm)	9" (229 mm)

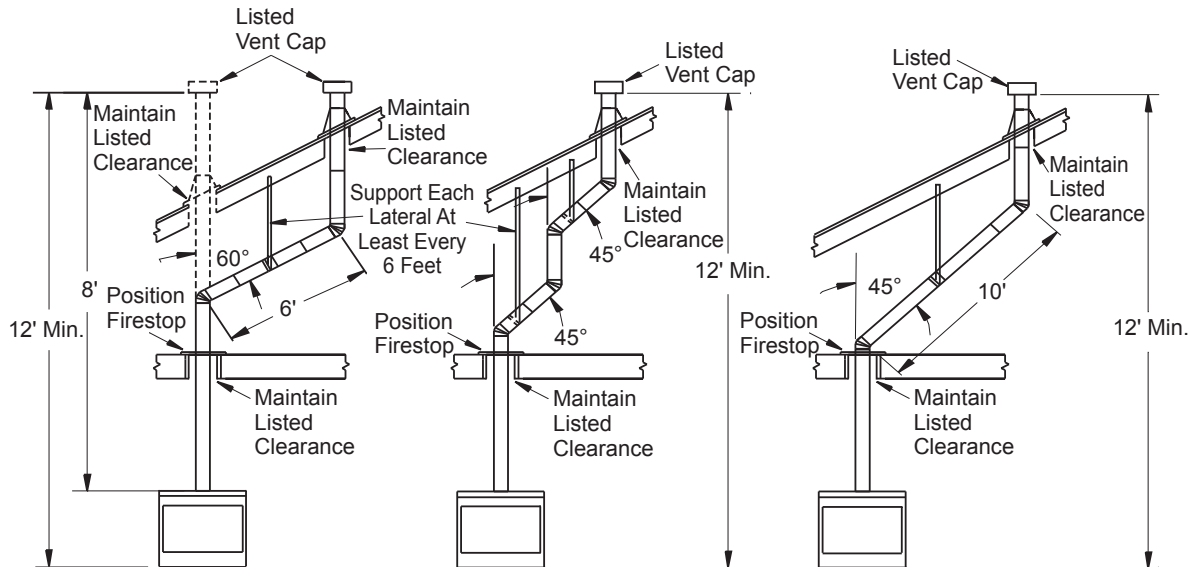
Minimum Clearances to Combustibles		
Back and Sides of Outer Surround	0"	0 mm
Drywall to Sides of Front Face (Nailing Flanges)	0"	0 mm
"B" Vent Surfaces	1"	26 mm
Ceiling to Opening	42"	1067 mm
Floor	0"	0 mm

* 3/4" clearance not required at nailing flanges.

** If fireplace is to be installed directly on carpeting, vinyl tile or any combustible material other than wood flooring, fireplace must be installed upon a metal or wood panel extending full width and depth of fireplace.

These models use 6" B-Vent

Venting



NOTE: DIAGRAMS & ILLUSTRATIONS ARE NOT TO SCALE.
 Printed in U.S.A. © 2016 Innovative Hearth Products
 P/N 900833-00 REV. A 03/2019

Specifications and clearances are subject to change without notice.
 Refer to Installation Manual before installation of these appliances for updated dimensions and instructions.

