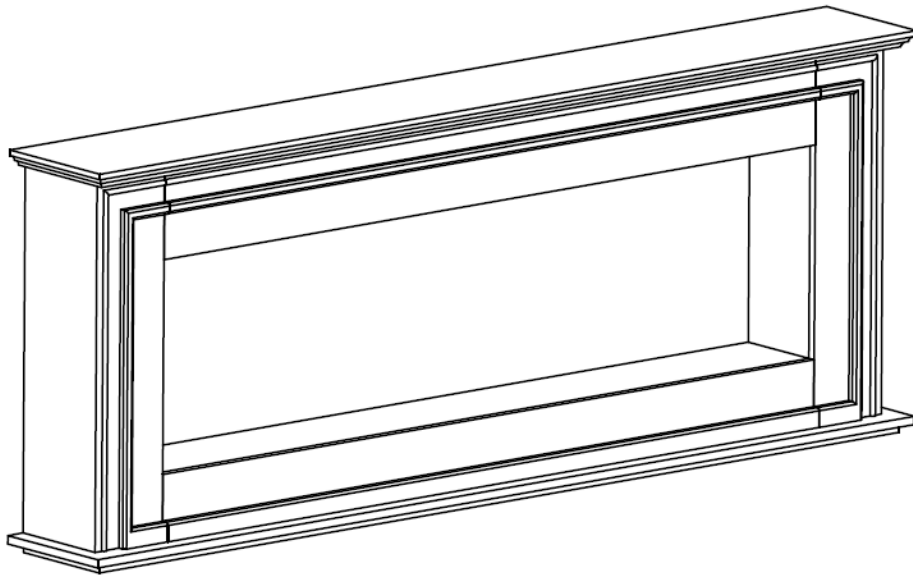


# ENCASE FIREPLACE MANTEL

Model # : 90000, 90001

## ASSEMBLY INSTRUCTIONS



**90000 – Encase 40” Forte Elite Mantel**

**90001 - Encase 50” Sideline® Elite Mantel**

**⚠ WARNING**

Read and understand this entire owner’s manual, including **all safety information**, before assembling or **using** this product. Failure to do so could result in **serious personal injury**.

**⚠ CAUTION**

Keep this owner’s manual for future reference. If you sell or give this product away, **make sure this manual accompanies this product**.



**PREMIUM  
ELECTRIC FIREPLACES  
& TV LIFTS**

Exceeding Expectations





## Table of Contents

### Table of Contents

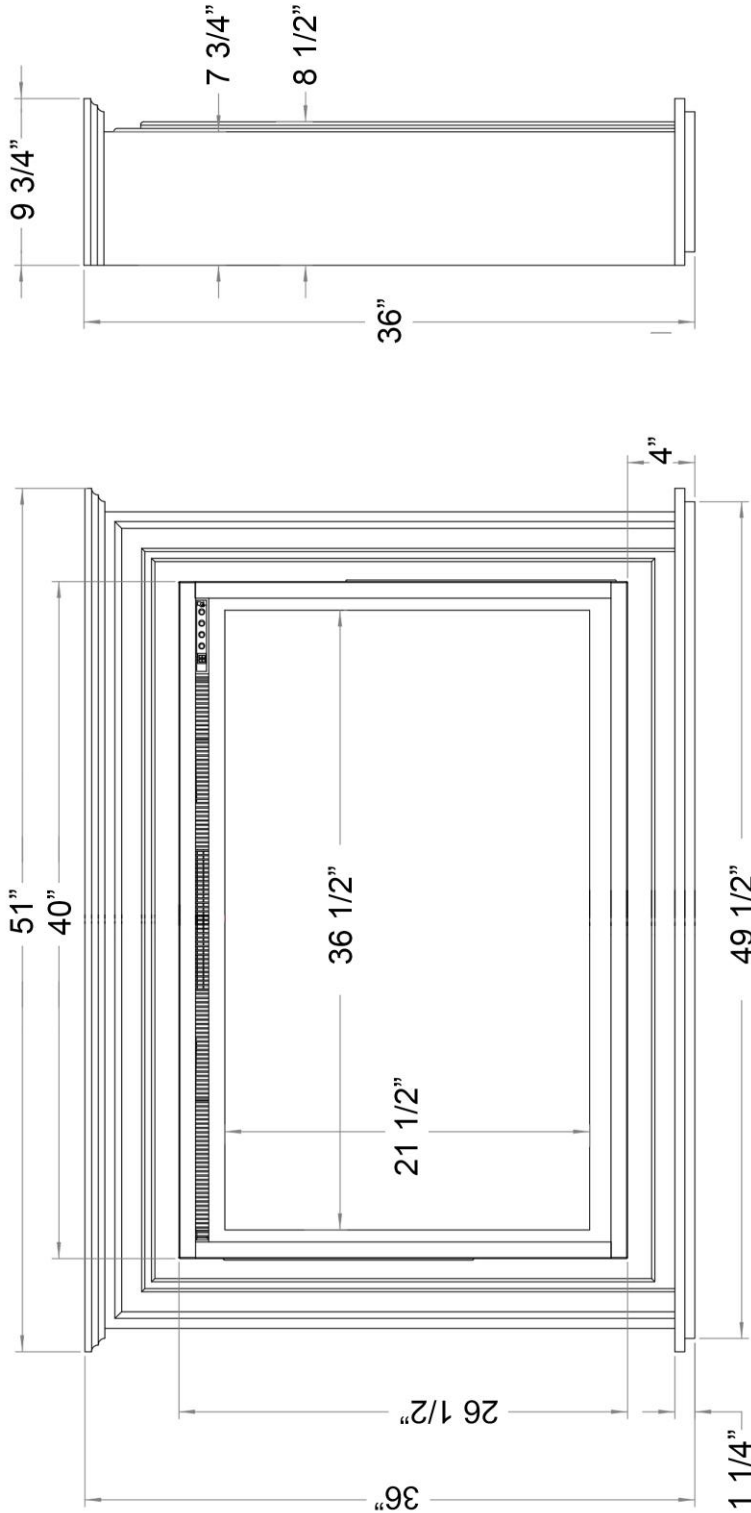
Dimensional Drawings.....	5
90000 - Encase 40" Forte Elite Mantel.....	5
90001 - Encase 50" Sideline® Elite Mantel.....	6
Unpacking Your Mantel .....	7
Parts and Hardware .....	7
Assembly Instructions.....	8
Securing Mantel to Wall .....	12
Parts.....	12
Instructions .....	12
Warranty .....	14
Touchstone Home Products Limited Warranty.....	14
Conditions and Limitations.....	14

## IMPORTANT SAFETY INFORMATION WARNING!

- Before assembly, carefully use scissors or utility knife to cut and unwrap all parts. **DO NOT DISCARD ANY HARDWARE!**
- Use care assembling your new mantel. Take your time and use the hardware provided. Never overtighten bolts.
- All panels are labeled left and right as viewed from the front of the unit.
- Serious or fatal crushing injuries can occur from furniture tip-over. Always secure this furniture to the wall using the tip-over restraints provided.
- **DO NOT** place TV or other **HEAVY** objects on top of this product.
- **NEVER** let children climb or hang on this product.
- **DO NOT** use this product outdoors.
- Please **READ** and **UNDERSTAND** the manual for the electric fireplace that is used in conjunction with this mantel. **FOLLOW INSTRUCTIONS** for the electric fireplace as outlined in the electric fireplace manual.
- Front of fireplace and mantel should not be blocked when in use.

## Dimensional Drawings

90000 - Encase 40" Forte Elite Mantel



Encase 40" Forte Elite Mantel  
PN: 90000

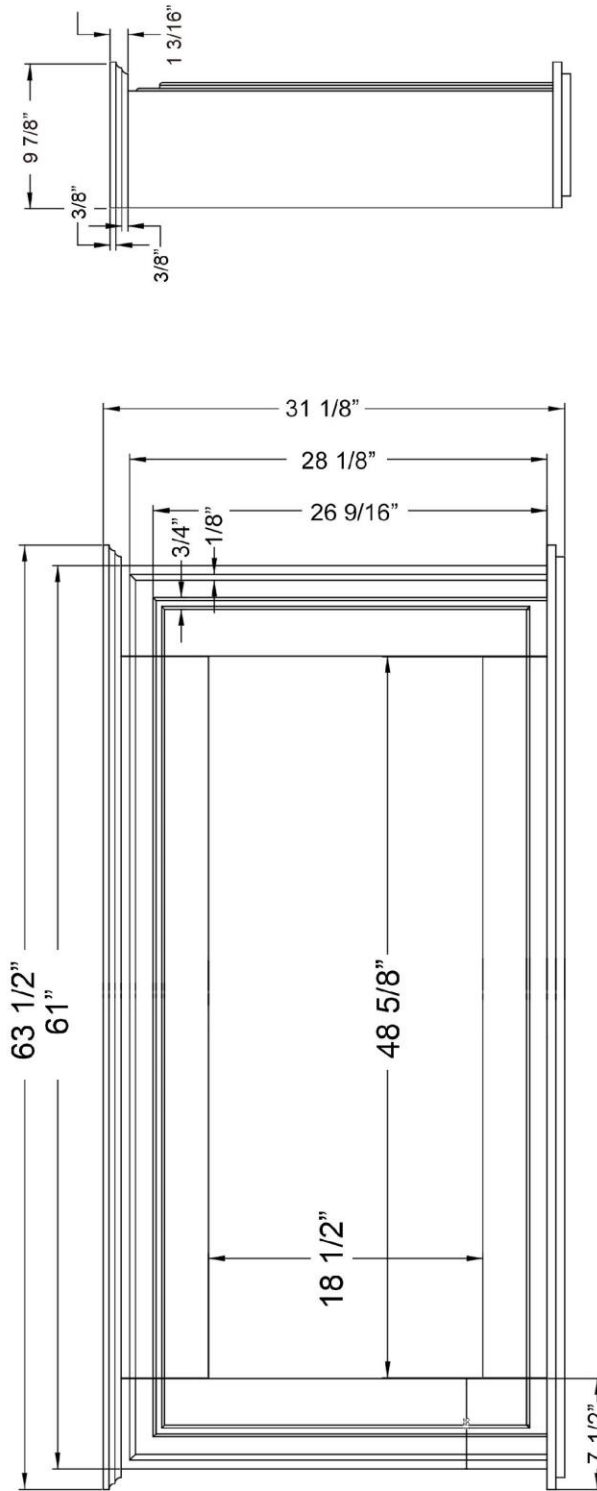


**PREMIUM  
ELECTRIC FIREPLACES  
& TV LIFTS**  
Exceeding Expectations  
Rev: 03/29/2022

**90000 - Encase 40" Forte Elite Mantel:**

- Color: White Semi-Gloss
- Material: MDF
- Fireplace Compatibility: 80052 - Forte Elite 40"
- Dimensions:
  - Width: 51"
  - Height: 36"
  - Depth: 9 3/4"

## 90001 - Encase 50" Sideline® Elite Mantel



Encase 50" Sideline® Elite Mantel  
PN: 90001



**PREMIUM  
ELECTRIC FIREPLACES  
& TV LIFTS**  
Exceeding Expectations  
Rev: 03/29/2022

### 90001 - Encase 50" Sideline® Elite Mantel:

- Color: White Semi-Gloss
- Material: MDF
- Fireplace Compatibility: 80036 Sideline® Elite 50"
- Dimensions:
  - Width: 63 1/2"
  - Height: 31 1/8"
  - Depth: 9 7/8"













## Unpacking Your Mantel

### Parts and Hardware

#### Tools Required

- Phillips screwdriver
- Scissors or utility knife

#### What's in the Box

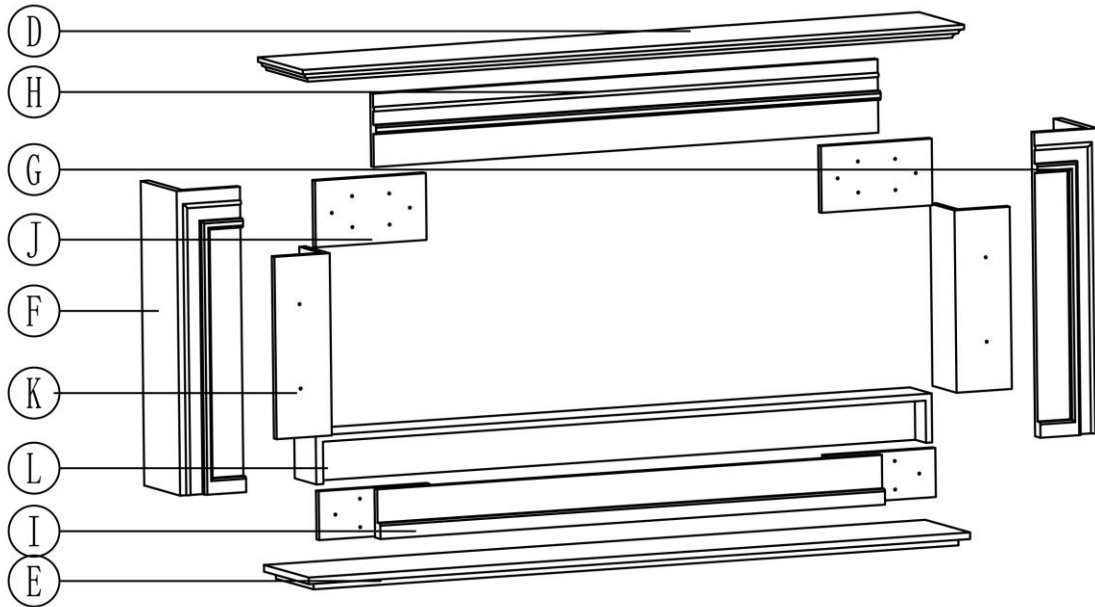
NO	Part	Quantity	NO	Part	Quantity
A		12	D		1
B		12	E		1
C		30	F		1
G		1	J		4
H		1	K		2
I		1	L		1

### Preparation

Before beginning assembly of this mantel, make sure all parts are present. Compare parts with package contents list and diagram above. If any parts are missing or damaged, do not attempt to assemble, install, or operate this product. Contact Touchstone Home Products Customer Service at 800-215-1990 for replacement parts.

**NOTE:** Dispose of plastic bag, as it may cause choking hazard with young children. Do not let children play with plastic bag.




## Assembly Instructions

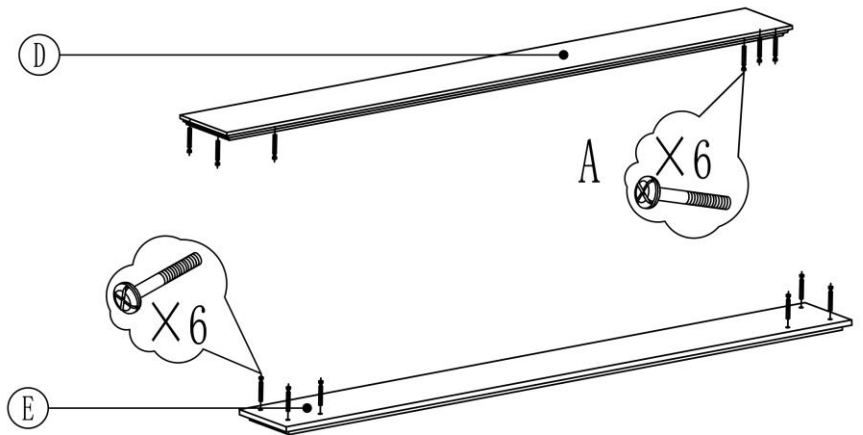


**Exploded view of all cabinet pieces**

1. Locate long panels D (top of mantel) and E (bottom of mantel), and set down on a scratch free surface. Insert and tighten screw A into the holes on panel D and panel E. There will be 6 of screw A inserted into each panel as shown.

Hardware used:

A		12
D		1
E		1

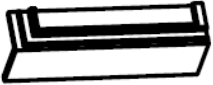
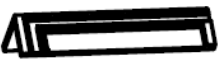


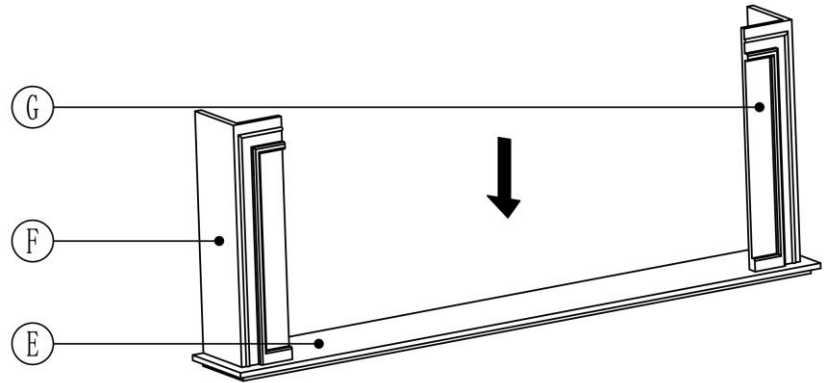


## Assembly Instructions – cont.

2. Mount end pieces F and G on the 3 screws on each side of base piece E. The screws in base E will fit into the holes in end pieces F and G.

Hardware used:

F		1
G		1

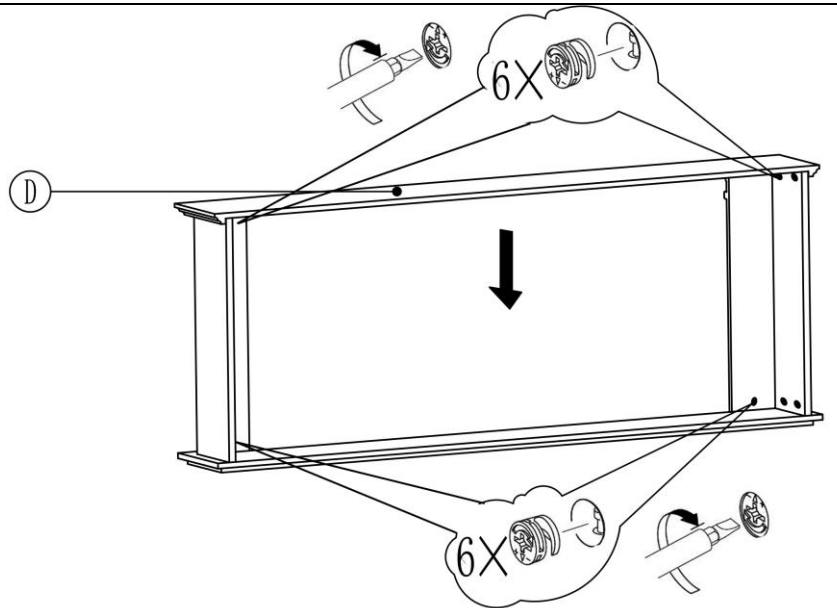


Front View

3. Turn the unit around so that you are facing the back of the mantel and install top piece D on end pieces F and G. The screws on piece D will insert into the holes in pieces F and G. Use the metal cam lock B to lock each screw into place. 6 metal cam lock B will be used on both end pieces F and G.

Hardware Used:

B		12
---	---	----





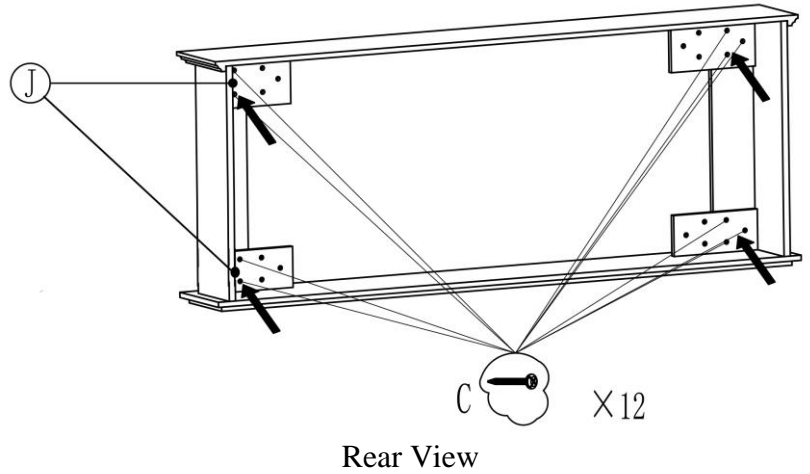
Rear View

## Assembly Instructions – cont.

4. Fasten flat piece J in each corner of the mantel as shown to the right. Use 3 screws for each flat piece J to fasten the flat piece to the upright pieces on the mantel.




Hardware used:

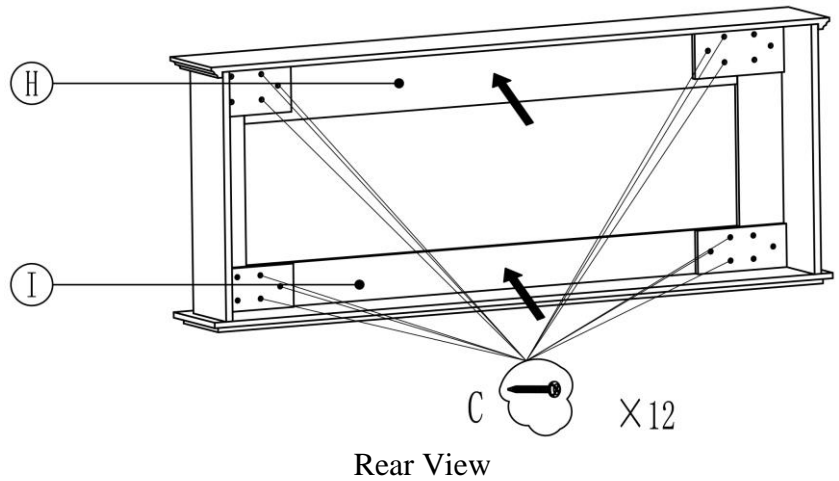
C		12
J		4



5. Place horizontal piece H and I against flat piece J and fasten horizontal piece H and I to flat piece J using 3 screws each.



Hardware used:

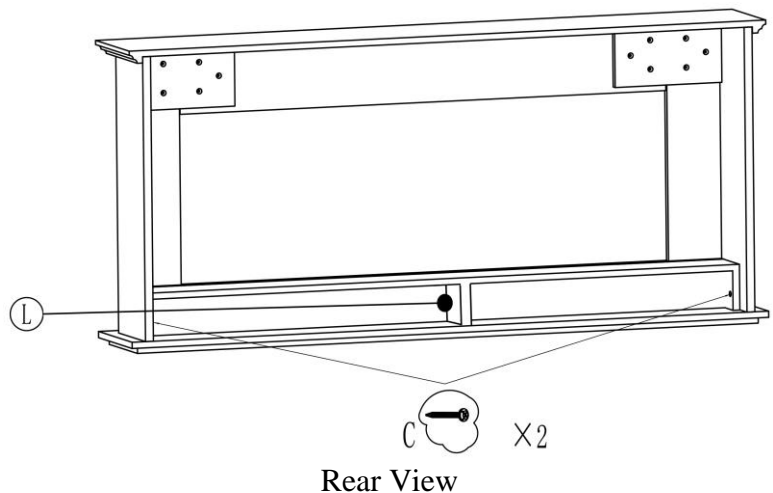
C		12
H		1
I		1



6. Place piece L in the bottom of the mantel so that the 3 vertical pieces of piece L sit on the base of the mantel. Use 2 screw C to fasten piece L to mantel frame.

Hardware used:



C		2
L		1

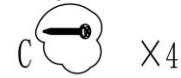
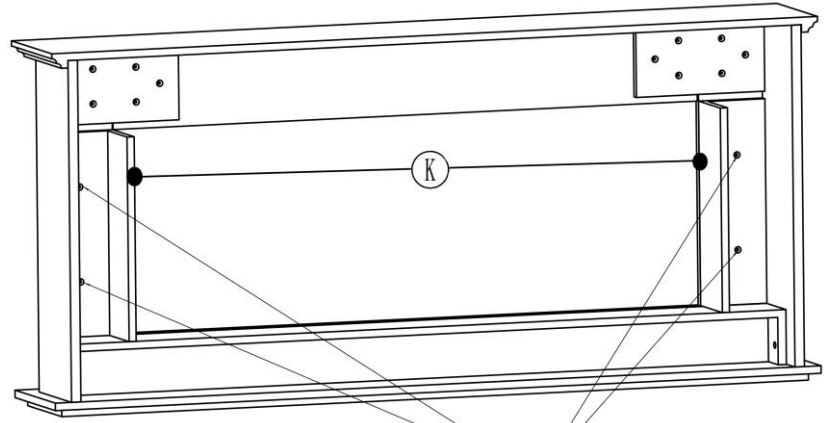


## Assembly Instructions – cont.

7. Fasten vertical pieces K as shown with 2 screws C.

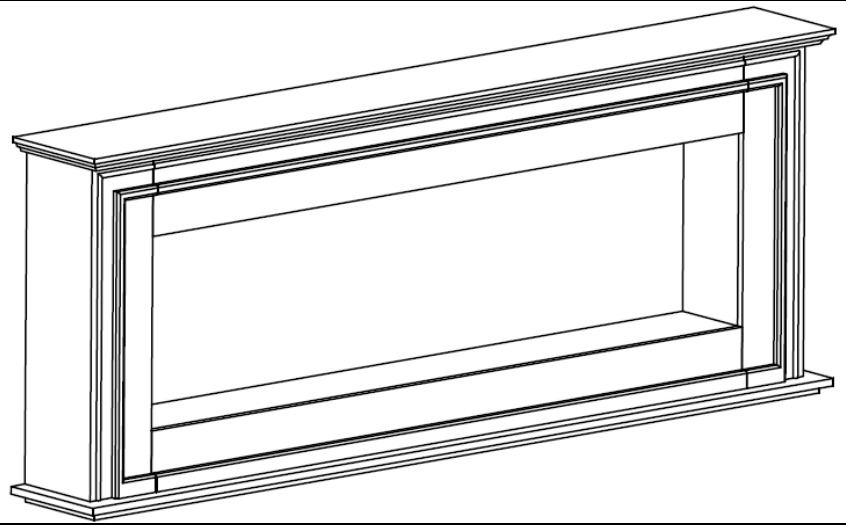
Hardware used:

C		4
K		2



Rear View

8. The mantel is now assembled and ready to mount the fireplace to the mantel.



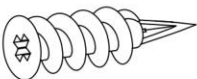
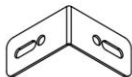


## Securing Mantel to Wall

### WARNING – Please read before completing installation

- Serious or fatal crushing injuries can occur from furniture tip-over. Always secure this furniture to the wall using the tip-over restraints provided.
- DO NOT place TV or other HEAVY objects on top of this product.
- NEVER let children climb or hang on this product.
- DO NOT use this product outdoors.



### Parts

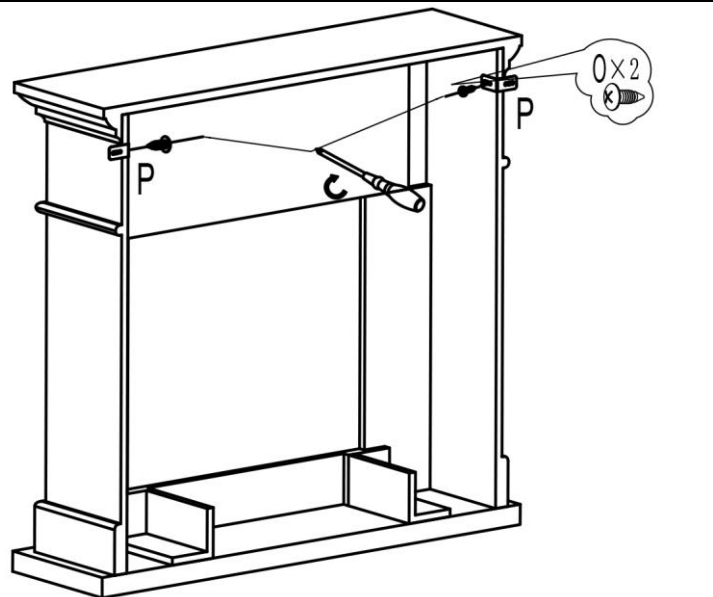
NO	Part	Quantity	NO	Part	Quantity
M		2	O		2
N		2	P		2

### Instructions

1. Fasten bracket P to the mantel as shown to the right. Use screw O to fasten bracket to mantel.

Hardware used:

O		2
P		2



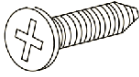

Rear View

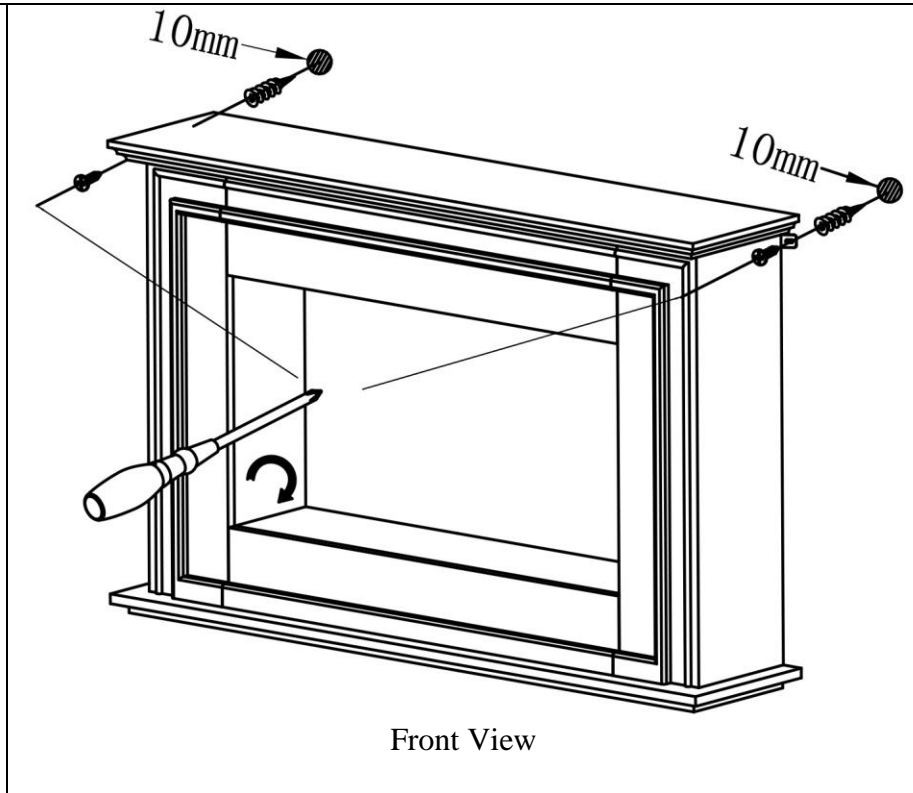
## Securing Mantel to Wall – cont

2. Place fireplace and mantel in final location and secure to wall. Mark and drill 2 10mm holes in wall to line up with wall brackets on fireplace. Once holes are made, install dry wall anchor N in holes.

Line brackets up with drywall anchors and use screw M to secure bracket to drywall anchors.

Hardware used:

M		2
N		2



## Warranty

### ***Touchstone Home Products Limited Warranty***

Touchstone Home Products®, Inc offers a one (1) year limited warranty on all our electric fireplaces. The one (1) year warranty starts on the date of purchase and expires 1 calendar year from the original date of purchase.

Electrical components, such as fan motor, heater motor (if included), control board, remote control, LED lights and control panel are covered under warranty for one year from date of purchase. Touchstone Home Products® will provide replacement parts free of charge during the first year of the warranty.

Touchstone Home Products® will not be responsible for installation, labor, or any other expenses related to the reinstallation of a warranted part, and such expenses are not covered under warranty.

### ***Conditions and Limitations***

Touchstone Home Products®, Inc warrants our electric fireplaces to be free of defects in material and workmanship to the original purchaser only. Registering your warranty is not necessary. Just provide your proof of purchase along with the model fireplace to make a warranty claim.

Warranty coverage begins on the date of purchase.

The factory warranty is non-transferrable.

Touchstone Home Products®, Inc does not cover damages caused by abuse, accident, alterations, lack of maintenance, misuse, or neglect. Parts installed from other manufacturers will void the warranty.

Touchstone will repair or replace any fireplace or fireplace part that is deemed defective or becomes defective during normal use within one (1) year after the date of purchase.

Replacement parts and replacement fireplace units are covered under a 90-day warranty or the remainder of the original one (1) year manufacturer's warranty from original date of purchase, whichever is greater.

Touchstone Home Products®, Inc does not warrant its products against damage caused by third parties.

The warranty does not cover paint scratches, cosmetic blemishes, dents, corrosion, or other normal wear and tear associated with the fireplace. Damage to fireplace or other components due to water, weather damage, long periods of dampness, condensation, damaging chemicals or cleaners are not covered under warranty.

Touchstone Home Products limited warranty does not cover accidental breakage of fireplace glass panel.

Extended warranty coverage for the fireplace is available by contacting Touchstone Home Products® directly at 1-800-215-1990.





**CALL US FIRST!**  
**DO NOT RETURN TO STORE.**



For immediate help with assembly, product information,  
or if your product arrives damaged, call our toll-free number at

**800-215-1990**

or email:

[customerservice@thpus.com](mailto:customerservice@thpus.com)

**Our staff is ready to provide assistance.**

Affix Serial Number Label Here