



Owner's Manual

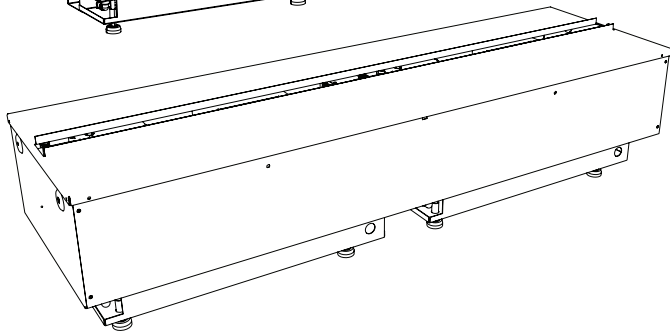
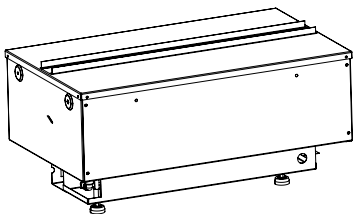
6909660300

6909660400

Model

CDFI1000-PRO

CDFI500-PRO











IMPORTANT SAFETY INFORMATION: Always read this manual first before attempting to install or use the Opti-myst® cassette. For your safety, always comply with all warnings and safety instructions contained in this manual to prevent personal injury or property damage.

To view the full line of Dimplex products, please visit www.dimplex.com

7214300200R03



Table of Contents

	Welcome & Congratulations	3
	IMPORTANT INSTRUCTIONS	4
	Installation	6
	Operation	14
	Maintenance	17
	Accessories	18
	Warranty	19
	Technical Support	22

Always use a qualified technician or service agency to repair this unit.

! NOTE: Procedures and techniques that are considered important enough to emphasize.

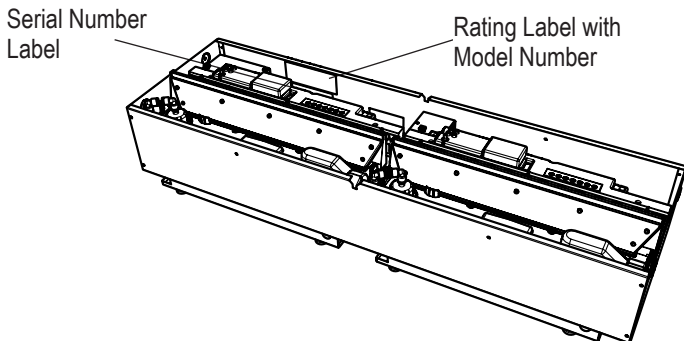
⚠ CAUTION: Procedures and techniques which, if not carefully followed, will result in damage to the equipment.

⚡ WARNING: Procedures and techniques which, if not carefully followed, will expose the user to the risk of fire, serious injury, or death.

Welcome & Congratulations

Thank you and congratulations for purchasing an Opti-myst® cassette from Dimplex. Please use our convenient online registration page to record your model and serial numbers for future reference at

www.dimplex.com/register




Please carefully read and save these instructions.

⚠ CAUTION: Read all instructions and warnings carefully before starting installation. Failure to follow these instructions may result in a possible electric shock, fire hazard and will void the warranty.



NO NEED TO RETURN TO THE STORE

Questions with operation or assembly? Require Parts Information?
Product Under Manufacturer's Warranty?

Contact us at:  **www.dimplex.com/customer_support**
For Troubleshooting and Technical Support

OR  **Toll-Free 1-888-7539**

Monday to Friday 8:00 a.m. to 4:30 p.m. EST


In order to better serve you, please have your model and serial number ready or register your product online before calling (See above)


IMPORTANT INSTRUCTIONS

When using electrical appliances, basic precautions should always be followed to reduce the risk of fire, electric shock, and injury to persons, including the following:


- ① Read all instructions before using the unit.
- ② Do not operate any unit if the unit has been dropped or damaged in any manner. Contact Technical Service at 1-888-346-7539.
- ③ Do not use outdoors.
- ④ Extreme caution is necessary when any heater is used by or near children or invalids and whenever the heater is left operating and unattended.
- ⑤ Do not operate any heater after it malfunctions. Disconnect power at service panel and have heater inspected by a reputable electrician before reusing.
- ⑥ To disconnect the unit, turn the controls OFF, disconnect power at the service panel.
- ⑦ Do not insert or allow foreign objects to enter any ventilation or exhaust opening as this may cause an electric shock or fire, or damage the heater.
- ⑧ To prevent a possible fire, do not block air intakes or exhaust in any manner.
- ⑨ All electrical heaters have hot and arching or sparking parts inside. Do not use in areas where gasoline, paint, or flammable liquids are used or stored.
- ⑩ Do not modify the unit. Use it only as described in this manual. Any other use not recommended by the manufacturer may cause fire, electric shock or injury to persons.
- ⑪ Do not burn wood or other materials in the unit.
- ⑫ Always use a certified electrician should new circuits or outlets be required.
- ⑬ Disconnect the power supply before performing any cleaning, maintenance or relocation of the unit.
- ⑭ When transporting or storing the unit, keep in a dry place, free from excessive vibration and store so as to avoid damage.

IMPORTANT INSTRUCTIONS

 **WARNING:** Remote control contains small batteries. Keep away from children. If swallowed, seek medical attention immediately.


 **WARNING:** Do not install battery backwards, charge, put in fire or mix with used or other battery types - may explode or leak causing injury.

! NOTE: Changes or modifications not expressly approved by the party responsible for compliance could void user's authority to operate the equipment.

 **CAUTION:** This equipment has been tested and found to comply with the limits for Class B digital device, pursuant to part 15 of the FCC Rules. These limits are designed to provide reasonable protection against harmful interference in a residential installation. This equipment generates, uses and can radiate radio frequency energy and, if not installed and used in accordance with the instructions, may cause harmful interference to radio or television reception, which can be determined by turning the equipment OFF and ON, the user is encouraged to try to correct the interference by one or more of the following measures:

- Reorient or relocate the receiving antenna.
- Increase the separation between the equipment and the receiver.
- Connect the equipment into an outlet on a circuit different from that to which the receiver is connected.
- Consult the dealer or an experienced radio/TV technician for help.

This device complies with Part 15 of the FCC Rules. Operation is subject to the following two conditions: (1) This device may not cause harmful interference, and (2) this device must accept any interference received, including interference that may cause undesired operation.

 **FCC CAUTION:** Any changes or modifications not expressly approved by the party responsible for compliance could void the user's authority to operate this equipment.



CAUTION
RISK OF ELECTRIC SHOCK
DO NOT OPEN
NO USER-SERVICEABLE PARTS INSIDE



SAVE THESE INSTRUCTIONS

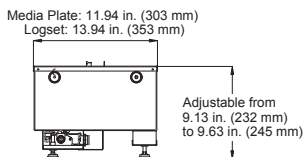
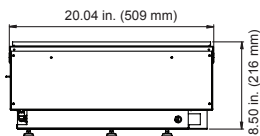
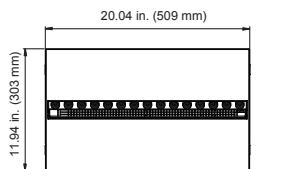
Installation

The CDFI1000-PRO and CDFI500-PRO are supplied in an assembled state and are designed to be permanently installed. The units come ready for hardwire installation and the use of the water refill containers.

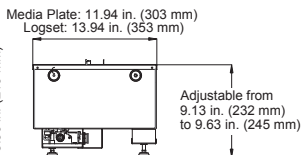
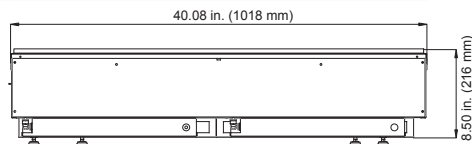
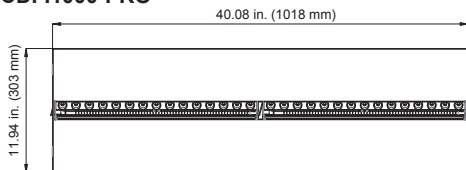
⚠ WARNING: Construction and electrical outlet wiring must comply with local building codes and other applicable regulations

Product Dimensions

CDFI500-PRO



CDFI1000-PRO



to reduce the risk of fire, electric shock and injury to persons.

⚠ WARNING: To reduce the risk of fire, do not store or use gasoline or other flammable vapours or liquids in the vicinity of the unit.

! NOTE: A 15 Amp, 120 Volt circuit is required. A dedicated circuit is preferred but not essential in all cases. A dedicated circuit will be required if, after installation, the circuit breaker trips or the fuse blows on a regular basis when the cassette is operating. Additional

! NOTE: Optimal installation height is 60" (152.4 cm) to the bottom of the media plate or log set. Installing the product above this height may reduce the flame visibility.

! NOTE: When preparing the opening for the unit $\frac{1}{4}$ in. (6.4 mm) of clearance should be maintained from each surface to ensure easy installation.

Installation

appliances on the same circuit may exceed the current rating of the circuit breaker.

⚠ WARNING: Failure to install the cassette as instructed below may result in damage to the equipment and or may expose the user to the risk of fire, serious injury, illness or death.

⚠ WARNING: Do not attempt to wire your own new outlets or circuits. To reduce the risk of fire, electric shock or injury to persons, always use a licensed electrician.

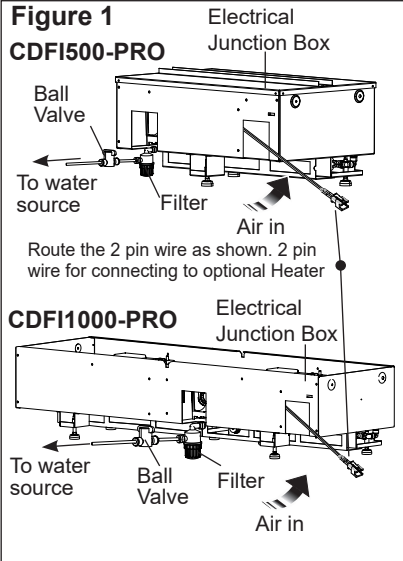
⚠ WARNING: Ensure that the On/Off switch is set to the OFF position (refer to Operation section) and that the circuit on which the unit is to be installed has the power cut off at the service panel until installation is complete.

! NOTE: Please read all instructions before installing.

Cassette Plumbing

The units come equipped with refill containers for manual filling of the reservoir. The unit can be hard plumbed with the plumbing accessory kit - CDFIPLUMB-KIT, available from your local Dimplex dealer, or with standard 1/4 in (6.4mm) tubing, using the information outlined below.

! NOTE: The plumbing accessory kit is designed for use with copper piping.



⚠ CAUTION: Ensure that all plumbing connections meet local plumbing code requirements.

⚠ CAUTION: Ensure that the location of the plumbing connection allows for easy access to allow for shutoff during scheduled maintenance.

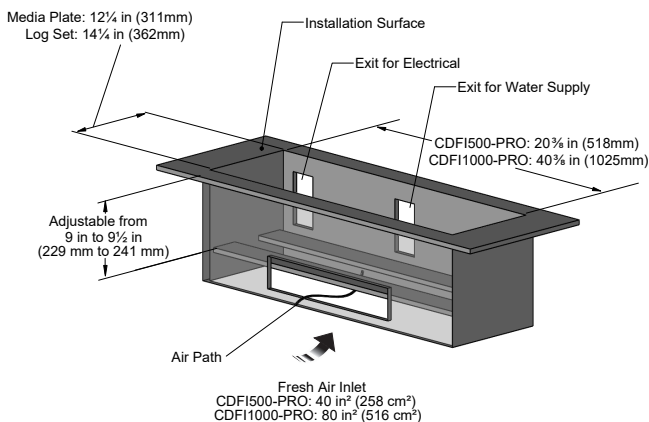
1. Locate a cold water line in the vicinity of the desired location of the cassette.

! NOTE: Normal tap water can be used in the Opti-myst® as long as the tap water is not considered to be hard water. In the event your tap water is hard, softened or filtered water is recommended.

Installation

- Turn OFF the main water supply and drain the line of any standing water (if possible), before proceeding to tie into the water line.
! NOTE: Once the new plumbing connections are complete ensure that the lines are flushed to prevent any debris from going into the unit.
- On the cassette, remove the top cover assemblies (Figure 10, page 18) and prime each of the water reservoirs with 33.5 oz (1L) of water.
- Replace the top cover assemblies and ensure that the two plumbing caps are securely attached to the top cover of the water reservoirs. (Figure 10, page 18)
- Locate the ball valve located in the bottom center of the unit (near the back). (Figure 1)
- Attach one end of the $\frac{1}{4}$ in (6.4 mm) tubing to the ball valve. Insert the tubing into the ball valve fitting so that it is fully inserted (approximately $\frac{1}{2}$ in (12 mm)).
! NOTE: Ensure that the end of the tubing is cut square, to prevent leaking.
- Route the tubing to the area of the water source.
- Verify that all of the connections are fully inserted, and begin opening each of the valves, ensuring that no leaks are present.

Figure 2a



Installation

Figure 2b

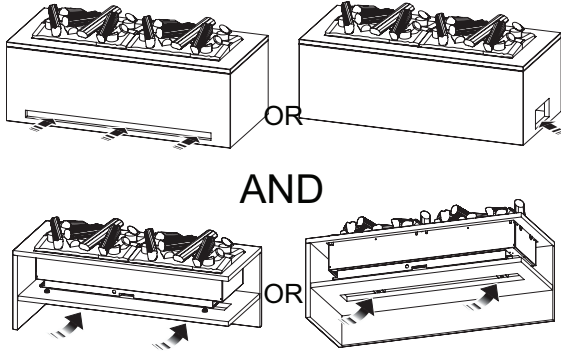
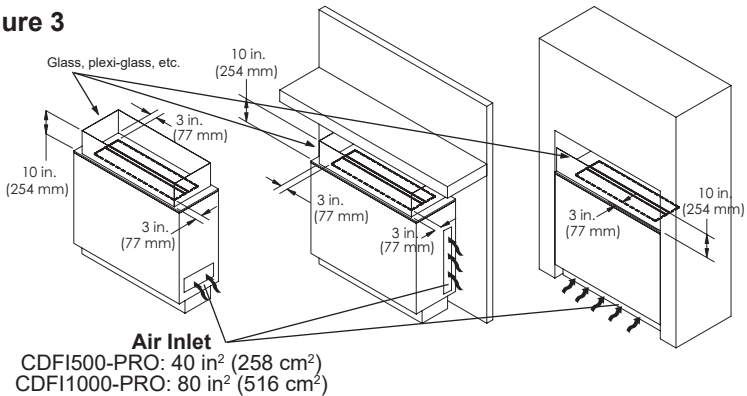


Figure 3



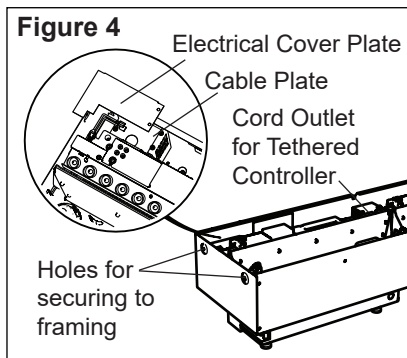
Connecting Multiple Units Together

When connecting multiple units together, the plumbing should be constructed in a manifold style configuration, sized appropriately for the number of units that are being installed so a consistent volume water and pressure is being supplied to each unit.

New Construction

When determining a location for the Opti-myst[®] cassette, ensure that the unit will not be susceptible to drafts, vents, ceiling fans and other air currents. Similar to a candle, large movements of air will affect the unit's ability to create and maintain the flame effect.

Installation



If the desired location is susceptible to significant air movement, i.e. air vents, the different installation options illustrated in Figure 3 can be used. It is important that the surface surrounding the top of the cassette have at least a 3 in (72 mm) clearance from any vertical surface and the barrier be 10 in (254 mm) high from the installation surface, to ensure optimal flame production.

! NOTE: It is recommended that during drywall installation and finishing the media plate be installed with the provided bag to prevent dust and debris from entering the unit.

1. Use studs to frame an enclosure with the following minimum internal/opening dimensions. Note that the Media Plate (supplied) and Log Set (optional) require different opening widths - see Figure 2.

! NOTE: A fresh air inlet that is a minimum of 80in² (516 cm²) for the CDFI1000-PRO and 40in² (258 cm²) for the CDFI500-PRO, is required. The air intake must allow for air to reach the underside of the Opti-myst Cassette (Figure 2 & 3). If installing into the Opti-myst Pro Box Heater (optional), no additional air intake is required. The Opti-myst Pro Box Heater is designed with air intakes included.

For **optimal performance**, a clearance of 18 in (457 mm) between the installation surface and any surface above should be maintained. A **minimum** clearance of 16 in (405 mm) must be maintained.

2. In the back left corner of the unit, locate and remove the electrical cover plate, by removing the two securing screws.
3. Install a $\frac{3}{8}$ in (10 mm) or $\frac{1}{2}$ in (13 mm) cable connector, not included, suitable for mounting in a $\frac{7}{8}$ in (22 mm) hole, to the cable plate and feed the supply cable through the connector. The cable plate can be removed by removing the two securing screws on either side, to allow for easier access.

⚠ CAUTION: Use two conductor, non-metallic sheath cable with


Installation

ground wire (3 wires total) for the incoming power supply on the cassette. Use appropriate wire to meet local and national electrical codes for rated power.

! NOTE: When installing multiple units in the same vicinity they will need to be wired in parallel.

! NOTE: The Opti-myst® cassette is designed to allow for installation of a wall switch to control the incoming power to the unit.

4. Connect the black wire (live) from the unit to the live from the power supply.
5. Connect the white wire (neutral) from the unit to the neutral wire from the power supply.
6. Connect the green wire (ground) from the unit to the ground wire from the power supply.
7. Place all connectors inside the unit and secure the cable clamp to unit, making sure that the cable clamp grips only the jacket of service cable.

 WARNING: Ensure the power wiring is not installed so that it is pinched or against a sharp edge and ensure that the power wiring is stored or secured to avoid tripping or snagging to reduce the risk of fire, electric shock or injury to persons.

8. Install the unit into the roughed in framing ensuring that the unit is resting on two framing sills, one at the front and one at the back or a level surface. Ensure an air opening is maintained.
9. Level the housing - right to left and front to back, using the adjustable feet on the bottom of the unit.
10. Secure the unit to the permanent framing on either end through a minimum of two holes (Figure 4).

Operation Preparation

1. After the surrounding area has been dry walled and finished, remove the media plate from the unit.
2. Unwrap the tethered controller and ensure that the wire is lead through the opening in the bottom of the unit where the hard plumbing attaches. (Figure 4)
3. Locate the tethered controller so that:
 - a) it can be easily accessed, if being used as the main controls, or
 - b) it is not obscured by either bricks, stone or sheet metal so that the signal that is sent from the remote control can be easily picked up.

Installation

- Initialize the tethered controller to the remote (see operation section, page 16).
- Fill the unit:
 - **Refill Containers** - remove the fill cap assemblies from the inlet to the reservoir tanks, then install the refill containers. (Figure 10, page 18)
 - ! **NOTE:** During initial installation, the Refill Container should be refilled after the Reservoir has filled to ensure the maximum operating time. Refill Container holds 42 oz. (1.25L).
 - **Hard Plumbed** - prime each of the water reservoirs with 33.5 oz (1L) of water.
 - ! **NOTE:** Normal tap water can be used in the Opti-myst[®] as long as the tap water is not considered to be hard water. In the event your tap water is hard, you may use softened water or distilled water with 1/8 tsp. of salt (0.5 mL) added to the water reservoir. (The use of additional salt should only be when you notice that the unit is not producing mist as expected.)
- Install the media plate or logset accessory on top.

! **NOTE:** If the intention is to accessorize the unit with something

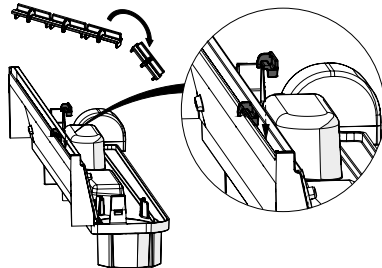
other than just the media plate or logset, ensure that media used does not have the ability to create small particles that may fall into the unit or have an overall weight above 10 lbs (4.5 kg) for the CDFI500-PRO and 20 lbs (9 kg) for the CDFI1000-PRO.

Customize Flame

The CDFI500-PRO and CDFI1000-PRO come with inserts that allow you to customize the look of the flame. Refer to Figures 5 and 6. To use the spacers, first break them along the break line (Figure 5). Second, insert into the nozzle at desired locations. It is recommended to place them under any media that crosses through the flame, for example, logs.

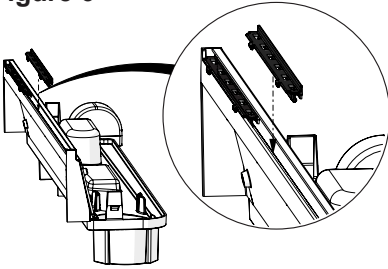
To use the slots, insert them into the nozzle (Figure 6). A total of 3 slot inserts can be used in each nozzle.

Figure 5



Installation

Figure 6

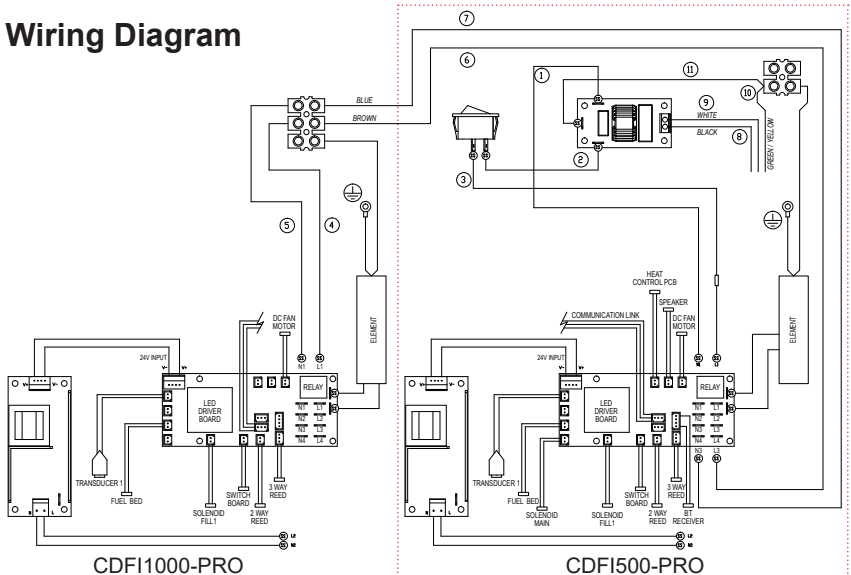


Bathroom Installation

This unit must be protected by a GFI circuit. If a receptacle is used it must be readily accessible.

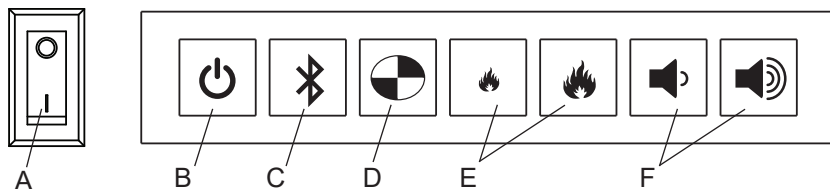
To prevent electrical shock this unit is an electrical appliance that is not watertight and must be installed as to prevent water from entering the unit. This unit must be installed away from showers, tubs, etc. Never locate fireplace over a bathtub or other water containers. Keep towels and other combustible materials 3 feet (0.9 m) away from the top of the unit.

Wiring Diagram



🔑 Operation

Figure 7



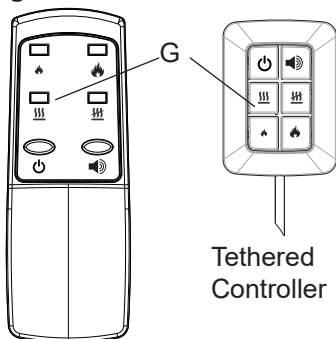
⚠️ WARNING: This unit must be properly installed before it is used.

There are three different control options available for the unit: manual (under the media), tethered controller (must be connected to the unit) and a remote control.

The CDFI1000-PRO unit has two separate internal modules that are controlled by the settings entered on the left side (primary). Finer adjustment can be done using the controls on the right module to have both modules operating at the same level (secondary).

! NOTE: When the unit is used in an environment where background noise is very low, it may be possible to hear a sound which is related to the operation of the flame effect. This is normal and should not be a cause for concern.

Figure 8



Remote Control

Controls

A. On/Off Switch

Supplies power to the unit.

B. ⏻ Standby

Turns flame effect on or puts the unit into standby mode.

! NOTE: When the unit is first turned on the lights will come on and mist will appear 45 seconds later.

Operation

C. Remote Control Initialization



Required for initializing the remote together with the Cassette, see initialization instructions for more detail.

D. Test Mode

Used for troubleshooting issues - outlined in detail in the service manual which can be found on www.dimplex.com/customer_support.

E. Flame Intensity Control

Adjusts the intensity of the flame and smoke effect when the unit has been activated.

Pressing the  will decrease the flame effect and pressing the  will increase the flame effect.

! NOTE: A few moments will be required between adjustment and a change to the flame effect.



! NOTE: During normal operation it is expected to see some condensation of water on the media plate. This will vary depending on ambient conditions and should be considered normal.


! NOTE: When the water tank is empty, the flame effect shuts OFF and the LED's will blink twice, continuously.

! NOTE: On the CDFI1000-PRO, each side of the flame can be adjusted using the on-board controls.



F. Volume Control

Adjusts the volume of the wood fire sound effects.

On the unit: Pressing the  will decrease the volume and pressing the  will increase the volume.

On the Remote and Tethered Controls: Pressing the  will turn the volume 'ON' (I) and 'OFF' (O).

G. Heat On/Off

Turns the optional heater accessory 'ON'  or 'OFF' .

! NOTE: The 2 pin heater wire (Figure 1) must be connected to the heater for this control to work.

Remote Control

The tethered controller can be used in the same manner as the remote but houses a receiver for communication with the remote.


The tethered controller must be connected to the unit and On/Off Switch must be in the 'ON' (I) position in order for the remote to operate.

🔑 Operation

! NOTE: To operate correctly the remote control must be initialized with the unit.

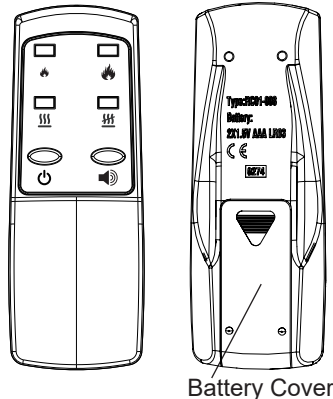
Remote Control Initialization / Reprogram

In order for the remote to communicate with the unit the receiver must be setup, as outlined below:

1. Verify that the tethered controller is connected correctly - the red light on the controller will be illuminated.
2. Place the On/Off Switch (Figure 7A) in the ON (I) position.
3. Press the initialization button  on the Primary controls (left side).
4. The unit will begin to beep and turn the lights ON and OFF every 2 ½ seconds to indicate that the unit is in synchronization mode.
5. Within 20 seconds of pressing the button, press any button on the remote control (Figure 9).

! NOTE: You will have only 20 seconds to perform this last step. Failure to do so will result in these steps needing to be followed again.

Figure 9



6. If the synchronization was successful the LED's will blink 5 times and beep 5 times then the unit will go to Standby.

This will synchronize the remote control and the tethered controller.

! NOTE: It is possible to synchronize up to 5 units to one remote control.

Battery Replacement

To replace the battery:

1. Slide battery cover open on the remote control (Figure 9).
2. Install two 1.5 Volt (AAA) battery in the battery holder.
3. Close the battery cover.



Battery must be recycled or disposed of properly. Check with your Local Authority or Retailer for recycling advice in your area.



Maintenance

⚠ WARNING: Disconnect power before attempting any maintenance or cleaning to reduce the risk of fire, electric shock or damage to persons.

Filling the water tank

When the water tank is empty, the flame effect will shut OFF and the LED's will blink continuously. Follow these steps to refill the tank.

⚠ CAUTION: Allow at least five minutes for components to cool before disassembling the unit to refill.

1. Gently remove the media and place it carefully on the ground.
2. Turn the On/Off switch to the OFF position (**O**) (Figure 7A)
3. Remove the refill container by lifting upwards and outwards.
4. Refill the container with tap water.

! NOTE: Normal tap water can be used in the Opti-myst® as long as the tap water is not considered to be hard water. In the event your tap water is hard, you may use softened water or distilled water with 1/8 tsp. of salt (0.5 mL) added to the water reservoir. (The

use of additional salt should only be when you notice that the unit is not producing mist as expected.)

5. Screw the cap back on, **do not overtighten**.
6. Return the refill container to the sump, with the tank cap facing down and the flat side of the tank facing outward.
7. Turn the On/Off switch to the ON position (**I**). (Figure 7A)
8. Gently place the top tray back into position.

If you do not intend on using the unit for longer than 2 weeks, empty and drain the unit of water, and dry all of the water containing components.

Transducer Replacement

After prolonged usage the ability for the unit to produce mist may become reduced. When this occurs the replacement of the transducer may be required. This unit comes with additional transducer(s), located within the unit, which can be installed when this occurs.

! NOTE: There is a small tab that holds the transducer in place, that needs to be released before it can be removed.



Maintenance

Cleaning

It is required that the **top cover assembly, sump and transducer** are cleaned with soap and water on a **biweekly** basis, or at a minimum once per month.

⚠ CAUTION: Do not put plastic components in the dishwasher.

The **water filter** (Figure 1) should be rinsed out on a **regular basis** to remove any collected particles.

Filter Cleaning

The **air filters** can be removed and gently rinsed with water to clean and dried on a towel before reinstalling.

! NOTE: Replace the filter so that the coarse black filter is facing the back of the unit.

Surface Cleaning

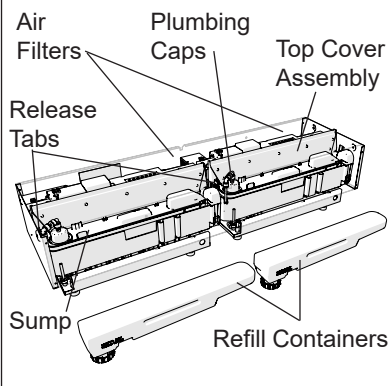
Use a warm damp cloth only to clean surfaces of the unit. Do not use abrasive cleaners.

! NOTE: If you need to move the unit ensure that all of the components that contain water have been emptied before relocating.

Servicing

Except for installation and cleaning described in this manual, an authorized service representative should perform any other servicing.

Figure 10



Accessories

Please contact your local dealer for genuine Dimplex accessories. Example: logsets, plug kit, heater and plumbing kits.



Warranty

Two Year Limited Warranty

Products to which this limited warranty applies

This limited warranty applies to your newly purchased Dimplex cassette. This limited warranty applies only to purchases made in any province of Canada except for Yukon Territory, Nunavut, or Northwest Territories or in any of the 50 States of the USA (and the District of Columbia) except for Hawaii and Alaska. This limited warranty applies to the original purchaser of the product only and is not transferable.

Products excluded from this limited warranty

Products purchased in Yukon Territory, Nunavut, Northwest Territories, Hawaii, or Alaska are not covered by this limited warranty. Products purchased in these States, provinces, or territories are sold AS IS without warranty or condition of any kind (including, without limitation, any implied warranties or conditions of merchantability or fitness for a particular purpose) and the entire risk of as to the quality and performance of the products is with the purchaser, and in the event of a defect the purchaser assumes the entire cost of all necessary servicing or repair.

What this limited warranty covers and for how long

Products, other than fireplace surrounds (mantels) and trims, covered by this limited warranty have been tested and inspected prior to shipment. Subject to the provisions of this warranty, Glen Dimplex Americas Ltd. (herein called Glen Dimplex Americas) warrants such products to be free from defects in material and workmanship for a period of 2 years from the date of the first purchase of such products as follows: (a) a repair or replacement warranty on defective products or parts, including in-home services, for the first year following the

date of first purchase; and (b) thereafter, a replacement of parts warranty on defective products and parts (with no in-home services) for the 1 year period commencing on the first anniversary of first purchase and ending on the second anniversary of the date of first purchase.

Glen Dimplex Americas fireplace surrounds (mantels) and trims covered by this limited warranty have been tested and inspected prior to shipment and, subject to the provisions of this warranty, Glen Dimplex Americas warrants such products to be free from defects in material and workmanship for a period of 1 year from the date of first purchase of such products. Warranty services do not include in-home services.

The limited 2 year warranty period for products other than fireplace surrounds (mantels) and trims and the limited 1 year warranty period for fireplace surrounds (mantels) and trims also applies to any implied warranties that may exist under applicable law. Some jurisdictions do not allow limitations on how long an implied warranty lasts, so the above limitation may not apply to the purchaser.

What this limited warranty does not cover

This limited warranty does not apply to products that have been repaired (except by Glen Dimplex Americas or its authorized service representatives) or otherwise altered. This limited warranty does further not apply to defects resulting from misuse, abuse, accident, neglect, incorrect installation, improper maintenance or handling, or operation with an incorrect power source.

What you must do to get service under this limited warranty

Defects must be brought to the attention of Technical Service at 1-888-346-7539. Please have proof of purchase, catalogue/model and serial numbers available when



Warranty

calling. Limited warranty service requires a proof of purchase of the product.

What Glen Dimplex Americas will do in the event of a defect

In the event a product or part covered by this limited warranty is proven to be defective in material or workmanship during (i) the 2 year limited warranty period for products other than fireplace surrounds (mantels) and trims, and (ii) the 1 year limited warranty period for surrounds (mantels) and trims, you have the following rights:

- Limited warranty service will be performed solely by dealers or service agents of Glen Dimplex Americas authorized to provide limited warranty services.
- **For products (other than surrounds (mantels) and trims) for the period ending at midnight on the first anniversary of the date of first purchase**, Glen Dimplex Americas will in its sole discretion either repair or replace such defective product or part without charge. If Glen Dimplex Americas is unable to repair or replace such product or part, or if repair or replacement is not commercially practicable or cannot be timely made, Glen Dimplex Americas may, in lieu of repair or replacement, choose to refund the purchase price for such product or part. *This limited warranty entitles the purchaser to on-site or in-home warranty services.* Accordingly, Glen Dimplex Americas will be responsible for all labour and transportation costs associated with the repair or replacement of the product or part except as follows: (i) charges may be levied for travel costs incurred to travel to the purchaser's site where the product is located if the purchaser's site is beyond 30 miles (48 km) from the closest service depot of Glen Dimplex

Americas dealer or service agent; and (ii) the purchaser is solely responsible for providing clear access to all serviceable parts of the product.

- **For products (other than surrounds (mantels) and trims) for the period commencing at 12:01 a.m. on the day after the first anniversary of the first purchase and ending at midnight on the second anniversary of the date of first purchase**, this limited warranty entitles the purchaser to replacement parts only without charge. If Glen Dimplex Americas is unable to replace such part, or if replacement is not commercially practicable or cannot be timely made, Glen Dimplex Americas may, in lieu of replacement, choose to refund the purchase price for such part. The purchaser shall not be entitled to on-site or in-home warranty services. The purchaser shall be responsible for all expenses incurred for the removal of the part and installation of the replacement part including, without limitation, all shipping costs and transportation costs to and from the authorized dealer's or service agent's place of business and all labour costs. Such costs shall not be the responsibility of Glen Dimplex Americas.
- **For surrounds (mantels) and trims for the period ending at midnight on the first anniversary of the date of first purchase**, Glen Dimplex Americas will in its sole discretion either repair or replace such defective surrounds (mantels) and trims or part thereof without charge. If Glen Dimplex Americas is unable to repair or replace such product or part, or if repair or replacement is not commercially practicable or cannot be timely made, Glen Dimplex Americas may, in lieu of repair or replacement, choose to refund the purchase price for such



Warranty

product or part. The purchaser shall not be entitled to on-site or in-house services. The purchaser is responsible for all expenses incurred for repair or replacement of such product or part including, without limitation, all shipping costs and transportation costs to and from the authorized dealer's or service agent's business and all labour costs. Such costs shall not be the responsibility of Glen Dimplex Americas.

- On-site or in-home services not provided under this warranty may be performed at the purchaser's specific request and expense at Glen Dimplex Americas then-current rates for such services.

What Glen Dimplex Americas and its dealers and service agents are also not responsible for:

IN NO EVENT WILL GLEN DIMPLEX AMERICAS, OR ITS DIRECTORS, OFFICERS, OR AGENTS, BE LIABLE TO THE PURCHASER OR ANY THIRD PARTY, WHETHER IN CONTRACT, IN TORT, OR ON ANY OTHER BASIS, FOR ANY INDIRECT, SPECIAL, PUNITIVE, EXEMPLARY, CONSEQUENTIAL, OR INCIDENTAL LOSS, COST, OR DAMAGE ARISING OUT OF OR IN CONNECTION WITH THE SALE, MAINTENANCE, USE, OR INABILITY TO USE THE PRODUCT, EVEN IF GLEN DIMPLEX AMERICAS OR ITS DIRECTORS, OFFICERS, OR AGENTS HAVE BEEN ADVISED OF THE POSSIBILITY OF SUCH LOSSES, COSTS OR DAMAGES, OR IF SUCH LOSSES, COSTS, OR DAMAGES ARE FORESEEABLE. IN NO EVENT WILL GLEN DIMPLEX AMERICAS, OR ITS OFFICERS, DIRECTORS, OR AGENTS BE LIABLE FOR ANY DIRECT LOSSES, COSTS, OR DAMAGES THAT EXCEED THE PURCHASE PRICE OF THE PRODUCT.

SOME JURISDICTIONS DO NOT ALLOW THE EXCLUSION OR LIMITATION OF INCIDENTAL OR CONSEQUENTIAL DAMAGES, SO THE ABOVE LIMITATION OR EXCLUSION MAY NOT APPLY TO THE PURCHASER.

How State and Provincial law apply

This limited warranty gives you specific legal rights, and you may also have other rights which vary from jurisdiction to jurisdiction. The provisions of the United Nations Convention on Contracts for the Sale of Goods shall not apply to this limited warranty or the sale of products covered by this limited warranty.



Technical Support

Technical and troubleshooting support, as well as a list of replacement parts can be found on

www.dimplex.com/customer_support.

1-888-346-7539 | www.dimplex.com

In keeping with our policy of continuous product improvement, we reserve the right to make changes without notice.

© 2019 Glen Dimplex Americas

Glen Dimplex
AMERICAS

A circular logo symbol consisting of four interlocking loops, resembling a stylized knot or a Celtic knot design.

Enhancing the moments that matter in life

Manuel du propriétaire

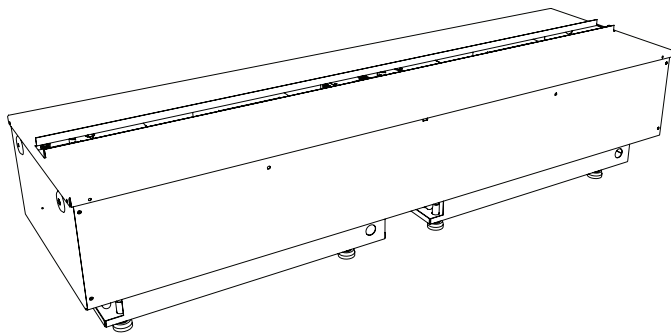
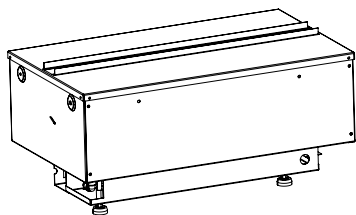
6909660300

6909660400

Modèle

CDFI1000-PRO

CDFI500-PRO











CONSIGNES DE SÉCURITÉ IMPORTANTES : Toujours lire le présent manuel avant d'essayer d'installer ou d'utiliser une cassette Opti-myst®. Pour votre sécurité, toujours respecter tous les avertissements et suivre les consignes de sécurité comprises dans le présent manuel afin de prévenir les blessures ou les dommages matériels.

Pour découvrir la gamme complète de produits Dimplex, visitez www.dimplex.com



Table des matières

	Bienvenue et félicitations	3
	INSTRUCTIONS IMPORTANTES	4
	Installation	6
	Utilisation	14
	Entretien	17
	Accessoires	18
	Garantie	19
	Service d'assistance technique	22

Toujours recourir aux services d'un technicien qualifié ou d'une entreprise de services d'entretien pour faire réparer cet appareil.

! NOTE: Marches à suivre et techniques considérées suffisamment importantes pour qu'on les souligne.

⚠ MISE EN GARDE : Marches à suivre et techniques dont le non-respect pourrait causer des dommages matériels.

⚠ AVERTISSEMENT : Marches à suivre et techniques qui, si elles ne sont pas bien respectées, exposeront l'utilisateur à des risques d'incendie, de blessure grave ou de décès.

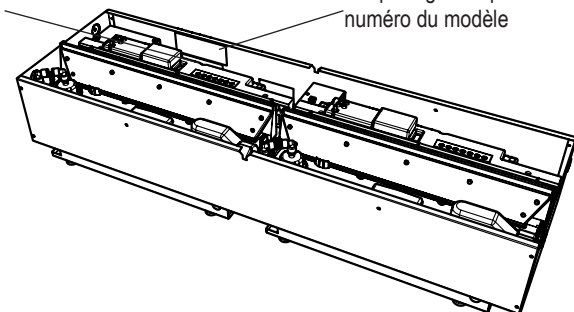
Bienvenue et félicitations

Merci et félicitations d'avoir acheté une cassette Opti-myst® par Dimplex. Veuillez utiliser notre page d'inscription en ligne pour inscrire votre modèle et vos numéros de série à des fins de référence ultérieure à l'adresse

www.dimplex.com/enregister

Étiquette du numéro
de série

Plaque signalétique avec
numéro du modèle



Lire ces consignes attentivement et les conserver.


⚠ MISE EN GARDE: Lire attentivement toutes les consignes et tous les avertissements avant de procéder à l'installation. Le non-respect de ces consignes pourrait entraîner un risque de choc électrique ou d'incendie et annulera la garantie.



IL N'EST PAS NÉCESSAIRE D'ALLER AU MAGASIN

Des questions à propos de l'utilisation ou du montage? Besoin d'information sur les pièces? Besoin d'information à propos d'un produit sous une garantie du fabricant?

Communiquer avec nous à :  **www.dimplex.com/customer_support**
Pour le dépannage et le Service d'assistance technique

OU  **Sans frais au 1-888-346-7539**

Du lundi au vendredi, de 8 h à 16 h 30 HE


Afin que nous puissions mieux vous servir, veuillez avoir votre modèle et votre numéro de série à portée de main ou veuillez inscrire votre produit en ligne avant de téléphoner (voir ci-dessus).


INSTRUCTIONS IMPORTANTES

Lorsqu'un appareil électrique est utilisé, il est important de toujours prendre des précautions de base pour réduire les risques d'incendie, de décharges électriques et de blessures, notamment :


- ① Lire toutes les instructions avant d'utiliser l'appareil.
- ② Ne pas se servir de l'appareil si l'appareil est tombé ou est endommagé de quelque manière que ce soit. Communiquer avec le service technique au 1 888 346-7539.
- ③ Ne pas utiliser à l'extérieur.
- ④ Faire preuve d'une grande prudence lorsque l'appareil est utilisé par des enfants ou des personnes handicapées, s'il est en marche à proximité d'eux, ou s'il est en marche et laissé sans surveillance.
- ⑤ Ne pas utiliser un appareil de chauffage après une défaillance. Interrompre le courant au tableau de commande et faire inspecter l'appareil par un électricien qualifié avant de le réutiliser.
- ⑥ Pour débrancher l'appareil, l'éteindre, couper le courant à la boîte électrique.
- ⑦ Ne pas introduire ou permettre l'introduction de corps étrangers dans la prise d'air de ventilation ou la bouche de sortie d'air, car cela peut occasionner des chocs électriques, provoquer un incendie ou endommager l'appareil.
- ⑧ Pour éviter un incendie, ne pas obstruer l'entrée ou la sortie d'air d'aucune façon.
- ⑨ Tous les appareils de chauffage électriques contiennent des pièces qui chauffent et qui peuvent produire un arc électrique ou des étincelles. Ne pas faire fonctionner l'appareil dans des endroits où de l'essence, de la peinture ou d'autres produits inflammables sont utilisés ou entreposés.
- ⑩ Ne pas apporter de modifications à l'appareil. Se servir du foyer uniquement de la façon décrite dans le présent guide. Toute autre utilisation non recommandée par le fabricant peut causer un incendie, des décharges électriques ou des blessures.
- ⑪ Ne pas brûler de bois ni d'autres matériaux dans l'appareil.
- ⑫ Toujours faire appel à un électricien certifié pour l'installation de nouveaux circuits ou de nouvelles prises de courant.
- ⑬ Fermer toute source d'alimentation électrique de l'appareil avant de le nettoyer, de le réparer ou de le déplacer.
- ⑭ Pendant le transport ou l'entreposage de l'appareil, le conserver dans un endroit sec et à l'abri de vibrations excessives, et le ranger de façon à éviter qu'il ne s'endommage.

INSTRUCTIONS IMPORTANTES

 **AVERTISSEMENT** : La télécommande contient de petites piles. Garder hors de la portée des enfants. Si elles sont avalées, consulter immédiatement un médecin.

 **AVERTISSEMENT** : Ne pas installer la pile à l'envers, la charger, la mettre au feu ou l'utiliser avec des piles usées ou un autre type de pile, car cela risque d'entraîner une explosion ou une fuite pouvant causer des blessures.


! NOTE: Les changements ou les modifications n'ayant pas fait l'objet d'une approbation expresse de la partie responsable de la conformité auront pour effet d'annuler le droit d'utilisation de l'appareil par l'utilisateur.

 **MISE EN GARDE** : Cet appareil a été testé et jugé conforme aux limites autorisées pour un dispositif numérique de classe B, en vertu de la partie 15 des règlements de la FCC. Ces limites visent à offrir une protection raisonnable contre les interférences nuisibles dans une installation résidentielle. Ce produit génère, utilise et peut émettre de l'énergie radioélectrique. S'il n'est pas installé et utilisé selon les instructions, il peut causer

des interférences nuisibles à la réception des signaux de radio ou de télévision, ce qui peut être vérifié en mettant le commutateur de l'appareil en position de marche, puis d'arrêt. Nous recommandons à l'utilisateur de tenter d'éliminer les interférences à l'aide d'une ou de plusieurs des mesures suivantes :

- Changer l'orientation ou l'emplacement de l'antenne réceptrice.
- Augmenter la distance entre l'appareil et le récepteur.
- Brancher l'appareil dans une prise sur un circuit autre que celui où le récepteur est branché.
- Consulter le détaillant ou un technicien radio/télévision expérimenté pour obtenir de l'aide.

L'appareil est conforme à la partie 15 des règlements de la FCC. L'utilisation de l'appareil est assujettie aux deux conditions suivantes : (1) L'appareil ne doit pas causer d'interférences nuisibles. (2) L'appareil doit accepter toute interférence captée, y compris les interférences susceptibles de causer un fonctionnement indésirable.

 **MISE EN GARDE DE LA FCC** : Les changements ou les modifications n'ayant pas fait l'objet d'une approbation expresse de la partie responsable de la conformité auront pour effet d'annuler le droit d'utilisation de l'appareil par l'utilisateur.



MISE EN GARDE - RISQUE DE DÉCHARGE ÉLECTRIQUE
NE PAS OUVRIR AUCUNE PIÈCE DONT L'ENTRETIEN PEUT ÊTRE EFFECTUÉ PAR L'UTILISATEUR NE SE TROUVE À L'INTÉRIEUR



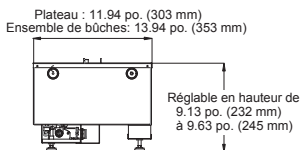
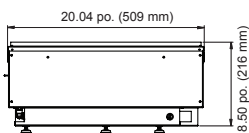
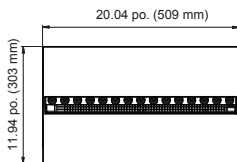
CONSERVER CES INSTRUCTIONS

Installation

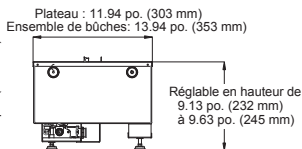
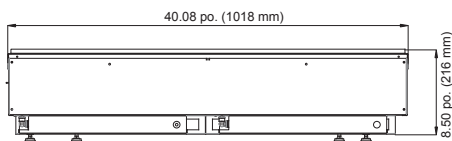
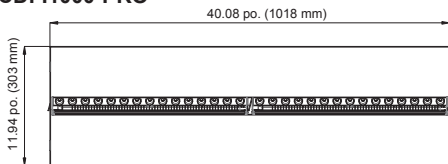
Le CDFI1000-PRO et le CDFI500-PRO sont fournis assemblés et conçus pour une installation permanente. L'appareil est livré pour une installation câblée et pour l'utilisation de conteneurs de recharge.

⚠ AVERTISSEMENT : Afin de réduire les risques d'incendie, de décharges électriques et de blessures, tous les travaux de construction et de câblage doivent être conformes au Code du bâtiment et aux autres règlements qui s'appliquent.

Dimensions du produit CDFI500-PRO



CDFI1000-PRO



⚠ AVERTISSEMENT : Afin de réduire les risques d'incendie, éviter de conserver ou d'utiliser de l'essence, d'autres liquides inflammables ou des gaz inflammables à proximité de l'appareil.

! NOTE : Un circuit de 15 ampères et de 120 volts est nécessaire. Un circuit spécialisé est préférable, mais pas essentiel dans tous les cas. Un circuit spécialisé sera nécessaire si, après l'installation, le disjoncteur se déclenche ou si le fusible saute régulièrement pendant le fonctionnement de la cassette. L'ajout d'appareils sur le même circuit risque d'excéder la puissance nominale du disjoncteur.

! NOTE : La hauteur optimale pour l'installation est de 60 po (152,4 cm) en bas du plateau à ornements ou de l'ensemble de bûches. L'installation du

! NOTE : En préparant l'ouverture pour l'appareil, prévoir un espace libre $\frac{1}{4}$ po (6,4 mm) de tous les côtés pour faciliter l'installation.

Installation

produit au-dessus de cette hauteur peut réduire la visibilité de la flamme.

⚠ AVERTISSEMENT : L'utilisateur qui ne respecte pas la marche à suivre ci-dessous pendant l'installation de la cassette risque d'endommager l'équipement et s'expose à des risques d'incendie, de blessure grave, de maladie ou de décès.

⚠ AVERTISSEMENT : Ne pas tenter d'installer soi-même de nouvelles prises ni de nouveaux circuits électriques. Pour réduire les risques d'incendie, de décharge électrique et de blessure, toujours faire appel à un électricien certifié.

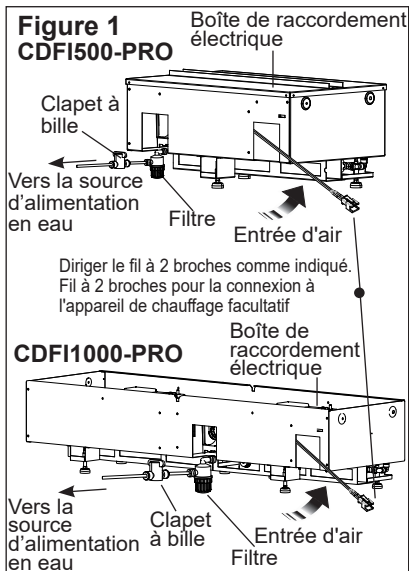
⚠ AVERTISSEMENT : S'assurer que l'interrupteur MARCHÉ/ARRÊT (ON/OFF) est placé à la position d'arrêt (Off) (se référer à la section Utilisation) et s'assurer de couper le circuit sur lequel sera branché l'appareil à la boîte électrique jusqu'à la fin de l'installation.

! NOTE: Lire toutes les instructions avant d'installer l'appareil.

Plomberie de la cassette

Les appareils sont équipés de contenants pour le remplissage manuel du réservoir. La plomberie de l'appareil peut être acheminée directement en utilisant le kit d'accessoires - CDFIPLUMB-KIT, offerte chez votre dépositaire Dimplex, ou avec un tube standard de ¼ po (6,4 mm), en suivant les instructions ci-dessous.

! NOTE: La trousse d'accessoires de plomberie est conçue pour une utilisation avec une tuyauterie en cuivre.



⚠ MISE EN GARDE : S'assurer que tous les raccords de plomberie sont conformes aux exigences du code de plomberie local.

⚠ MISE EN GARDE : S'assurer que les raccords de plomberie sont effectués dans un endroit accessible pour pouvoir fermer l'eau facilement pendant les entretiens périodiques.

1. Trouver une conduite d'eau froide près de l'emplacement désiré de la cassette.

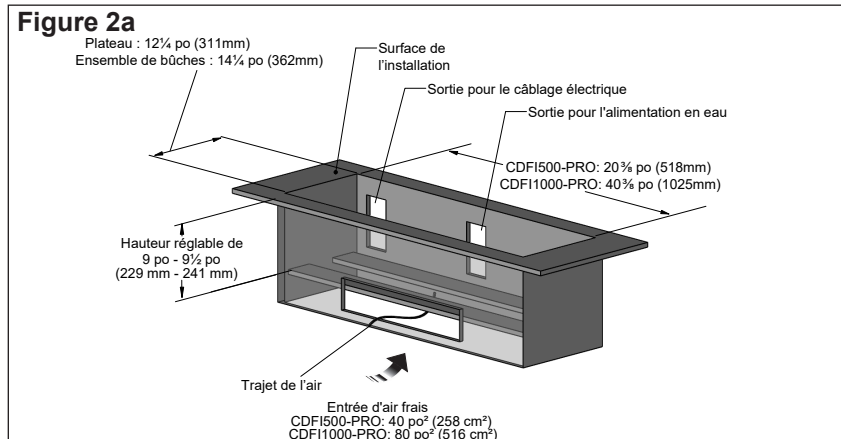
! NOTE: L'eau du robinet peut être utilisée pour le modèle Opti-myst^{MD}, pourvu qu'elle ne soit pas considérée comme de l'eau dure. Si l'eau est dure, l'utilisation d'eau adoucie ou filtrée est recommandée.

Installation

2. Fermer le robinet d'arrêt général et vidanger toute l'eau qui s'y trouve (si possible), avant d'exécuter le raccord à la conduite d'eau.
! NOTE: Une fois que les nouvelles connexions de plomberie sont complètes veiller à ce que les lignes soient rincées pour éviter tout débris d'entrée dans l'unité.
3. Sur la cassette, retirez les assemblages de couvercle supérieur (Figure 10, page 18) et amorcez chacun des réservoirs d'eau avec 33,5 onces (1L) de l'eau.
4. Remplacer les ensembles de couvercles supérieurs et veiller à ce que les deux bouchons de plomberie soient solidement fixés sur le couvercle supérieur des réservoirs d'eau. (Figure 10, page 18)
5. Repérer le clapet à bille situé dans le fond de l'appareil, au centre (près de l'arrière) (Figure 1)
6. Raccorder un bout du tuyau de $\frac{1}{4}$ po (6,4 mm) au clapet à bille. Insérer le tuyau dans le raccord du clapet à bille jusqu'au fond (environ $\frac{1}{2}$ po (12 mm)).
! NOTE: S'assurer que le bout du tuyau est coupé d'équerre pour prévenir les fuites.
7. Faire passer le tuyau jusqu'à la source d'alimentation en eau.
8. Vérifier si tous les raccords sont entièrement insérés, et ouvrir tous les robinets un par un, en s'assurant qu'il n'y a pas de fuites.

Connexion ensemble unités multiples

Lors de la connexion de plusieurs unités ensemble, la plomberie doit



Installation

Figure 2b

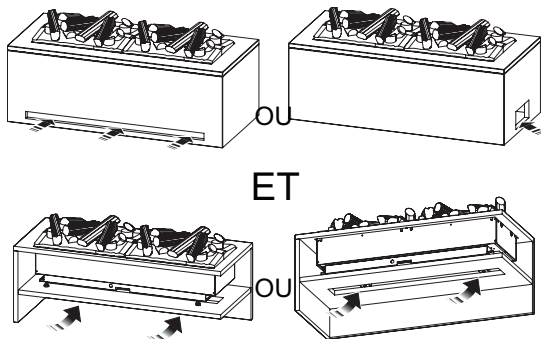
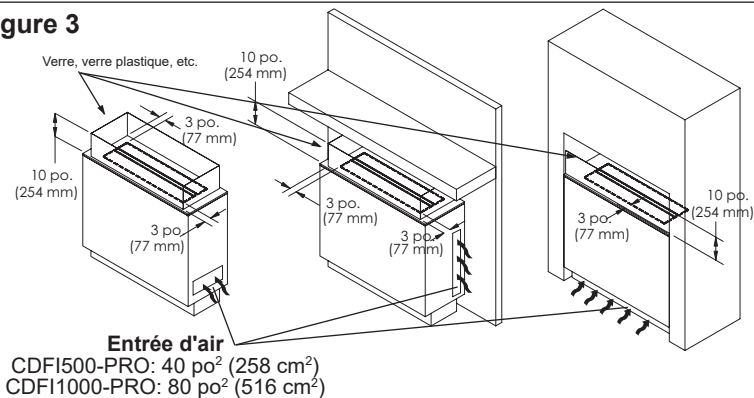


Figure 3



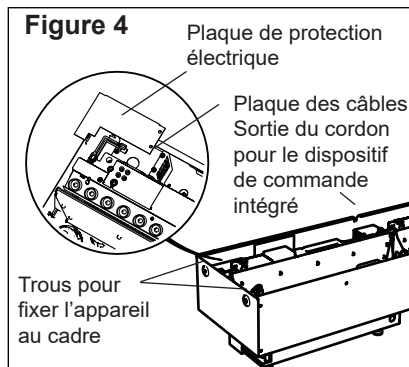
être construit dans une configuration de style collecteur, de taille appropriée pour le nombre d'unités qui sont en cours d'installation d'un volume d'eau de manière cohérente et la pression est fournie à chaque unité.

Nouvelle installation

Au moment de déterminer un emplacement pour la cassette Opti-myst®, s'assurer que l'appareil ne sera pas exposé à des courants

d'air, des événements, des ventilateurs de plafond ni à d'autres déplacements d'air. Comme pour une chandelle, des déplacements importants d'air nuisent à la capacité de l'appareil de créer et de maintenir l'effet de flamme.

Si l'emplacement souhaité est sensible à la circulation d'air importante, à savoir bouches d'aération, les différentes options d'installation illustrées à la figure 3 peuvent être utilisées. Il est



important que la surface qui entoure la partie supérieure de la cassette ait au moins un 3 po (72 mm) de toute surface verticale et que la barrière soit 10 po (254 mm) de haut à partir de la surface d'installation, pour assurer une production de flamme optimale.

! NOTE: Il est recommandé, pendant la pose de cloisons sèches et la finition, d'installer le plateau avec le sac fourni pour empêcher que de la poussière et des débris s'infiltrent dans l'appareil.

1. Utiliser des montants pour former une enceinte ayant les dimensions internes/d'ouverture minimales suivantes. Prendre note que le plateau à matériaux incandescents (fourni) et l'ensemble de bûches (facultatif) exigent des ouvertures de largeur différente. (Figure 2).

! NOTE: Une prise d'air frais d'au moins 72 po² (460 cm²) pour le CDF1000-PRO and 40 po² (258 cm²) pour le CDF1500-PRO est requise. L'entrée d'air doit permettre à l'air

d'atteindre le dessous de la cassette Opti-myst. (Figure 2 et 3). Dans le cas d'une installation dans un appareil de chauffage Opti-myst Pro Box (facultatif), aucune entrée d'air additionnelle n'est requise. L'appareil de chauffage Opti-myst Pro Box comporte des entrées d'air.


Pour assurer une **performance optimale**, un dégagement de 16 po (405 mm) entre la surface d'installation et toute surface au-dessus doit être maintenu. Un dégagement **minimal** de 12 po (305 mm) doit être maintenu.

2. Dans le coin arrière gauche de l'appareil, repérer et enlever la plaque de protection électrique en retirant les deux vis de fixation.
3. Installer sur la plaque de câbles un connecteur de câble de 3/8 po (10 mm) ou de 1/2 po (13 mm), non fourni, convenant à un trou de 7/8 po (22 mm) et passer le câble d'alimentation dans le connecteur. La plaque de câbles peut être enlevée en retirant les deux vis de fixation de chaque côté, pour faciliter l'accès.

⚠ MISE EN GARDE : Un câble doté d'une gaine non métallique à deux conducteurs avec fil de mise à la terre (trois fils en tout) est nécessaire pour alimenter la cassette. Utiliser le câblage approprié conformément aux codes de l'électricité locaux et nationaux pour la puissance nominale.

! NOTE: Si plusieurs appareils sont installés dans un même endroit, ils devront être câblés en parallèle.

! NOTE: La cassette Opti-myst® permet l'installation d'un interrupteur mural pour commander l'alimentation électrique de l'appareil.

4. Raccorder le fil noir (sous tension) de l'appareil à la source d'alimentation électrique sous tension.
 5. Raccorder le fil blanc (N) de l'appareil au fil neutre de la source d'alimentation.
 6. Raccorder le fil vert (mise à la terre) de l'appareil au fil vert de la source d'alimentation électrique.
 7. Placer tous les connecteurs à l'intérieur de l'appareil et fixer le serre-câble à l'appareil, en veillant à ce que le serre-câble ne serre que la gaine extérieure du câble.
-  AVERTISSEMENT :** Veiller à ce que le câble d'alimentation ne soit ni coincé ni disposé contre un bord tranchant, mais rangé ou placé de façon à éviter tout risque de déclenchement du disjoncteur ou d'accrochage susceptible de causer un incendie, des décharges électriques ou des blessures.
8. Installer l'appareil dans l'ébauche du cadre, en veillant à ce que l'appareil repose sur deux appuis du cadre, soit un devant et un à

l'arrière de la surface à niveau. S'assurer qu'une prise d'air est maintenue.

9. Mettre à niveau le boîtier (droite-gauche et avant-arrière) à l'aide des pieds réglables à la base de l'appareil.
10. Fixez l'unité à l'élaboration permanente à chaque extrémité par un minimum de deux trous (Figure 4).

Préparation à l'utilisation

1. Une fois la pose de cloison sèche et la finition terminées dans la zone avoisinante, enlever le plateau à ornements de l'appareil.
2. Débarrer le dispositif de commande intégré et veiller à ce que le fil est conduit à travers l'ouverture dans le fond de l'unité où la plomberie dure attache. (Figure 4)
3. Placer le dispositif de commande intégré de façon à :
 - a) pouvoir y accéder facilement, s'il sert de commande principale,
 - b) ne pas l'obstruer avec des briques, les galets ou la tôle, pour que le signal provenant de la télécommande soit facilement reçu.
4. Initialiser le dispositif de commande intégré et la télécommande (section Utilisation, page 16).

Installation

5. Remplissez l'unité:

- **Conteneurs de recharge** - enlever les assemblages de bouchon de remplissage de l'entrée vers les réservoirs de réservoir, puis installer les conteneurs de recharge. (Figure 10, page 18)

! NOTE: Au moment de l'installation initiale, le contenant doit être réapprovisionné après le remplissage du réservoir pour assurer une durée de fonctionnement maximale. Contenant de remplissage de 42 oz (1,25 L).

- **Difficile d'aplomb** - amorcez chacun des réservoirs d'eau avec 33,5 onces (1L) de l'eau.

! NOTE: L'eau du robinet peut être utilisée pour le modèle Opti-myst®, pourvu qu'elle ne soit pas considérée comme de l'eau dure. Dans le cas d'eau dure, vous pouvez utiliser de l'eau adoucie ou distillée en ajoutant $\frac{1}{4}$ cuil. à thé (0,5 ml) de sel dans le réservoir à eau. (N'ajouter du sel que si l'appareil ne produit visiblement pas la vapeur comme il le devrait.)

6. Installer la plateau ou l'accessoire d'ensemble de bûches sur le dessus.

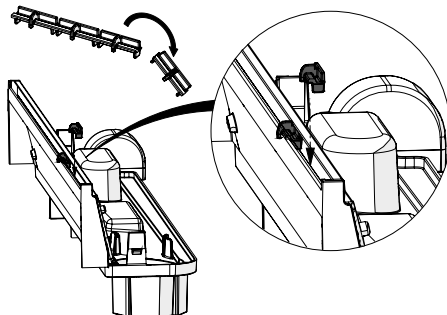
! NOTE: Pour ajouter des accessoires autres que le plateau à matériaux incandescents ou l'ensemble de bûches, s'assurer que les matériaux utilisés ne créent pas de petites particules susceptibles de

tomber dans l'appareil et que leur poids global n'est pas supérieur à 10 lb (4,5 kg) dans le cas du CDFI500-PRO et à 20 lb (9 kg) dans le cas du CDFI1000-PRO.

Effet de flamme personnalisable

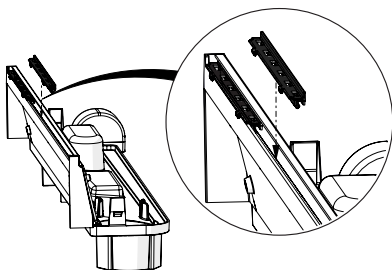
Les appareils CDFI500-PRO et CDFI1000-PRO sont dotés de garnitures permettant de personnaliser l'apparence des flammes. Consulter les figures 5 et 6. Pour utiliser les entretoises, commencer par les séparer le long de la ligne pointillée (figure 5). Ensuite, les insérer dans la buse aux endroits voulus. Il est recommandé de les placer sous un ornement traversant les flammes, par exemple des bûches.

Figure 5



Installation

Figure 6



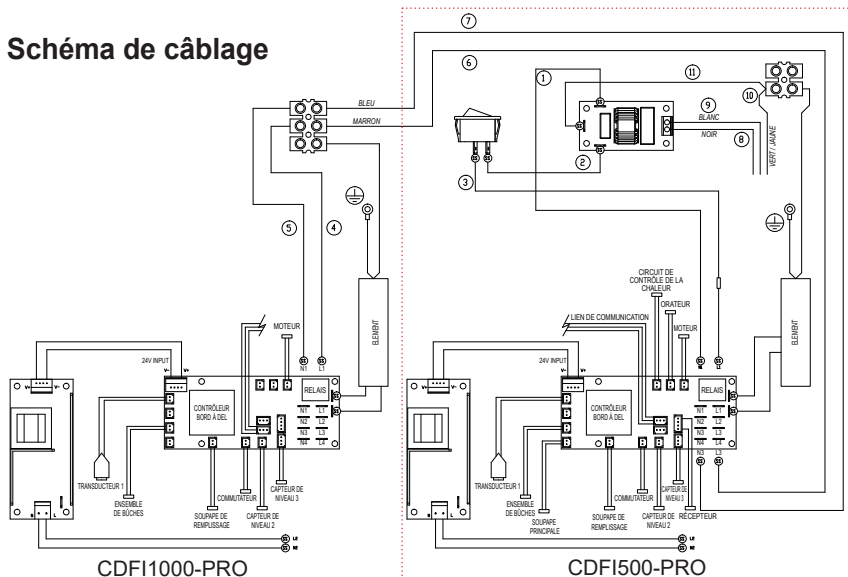
Pour utiliser les fentes, les insérer dans la buse (figure 6). Il est possible d'utiliser un total de 3 fentes sur chaque buse.

Installation dans une salle de bain

Cet appareil doit être protégé par un circuit de mise à la terre. Si une prise de courant est utilisée, elle doit être facilement accessible.

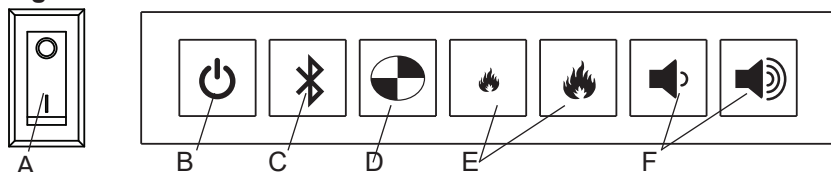
Pour prévenir tout risque de décharges électriques, cet appareil électrique non étanche à l'eau doit être installé de façon à éviter que de l'eau ne s'y infiltre. Cet appareil doit être installé loin de la douche, du bain, etc. Ne jamais installer le foyer au-dessus d'une baignoire ou d'autres contenants d'eau. Tenir les serviettes et autres matériaux combustibles à 3 pieds (0,9 m) de la partie supérieure de l'unité.

Schéma de câblage



Utilisation

Figure 7



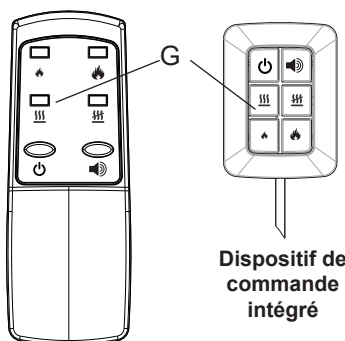
⚠ AVERTISSEMENT : Cet appareil doit être installé correctement avant son utilisation.

Cet appareil offre trois options de commande : mode manuel (sous la plaque), dispositif de commande intégré (doit être branché à l'appareil) et télécommande.

L'unité de CDFI1000-PRO a deux modules internes distincts commandés par les paramètres entrés du côté gauche (primaire). Un réglage plus précis peut être effectué à l'aide des commandes sur le module de droite pour que les deux modules fonctionnent au même niveau (secondaire).

! NOTE: Si l'appareil est utilisé dans un environnement où les bruits de fond sont faibles, il est possible d'entendre le son que produit l'effet de flamme. Cette situation est normale et ne doit pas être préoccupante.

Figure 8



Télécommande

Commandes

A. Interrupteur marche/arrêt

Alimente l'appareil en électricité.

B. Veille

Active l'effet de flamme ou met l'appareil en mode veille.

! NOTE: La première fois que l'appareil est mis en marche, les ampoules s'allument et de la vapeur apparaît au bout de 45 secondes.

Utilisation

C. ✂ Initialisation de la télécommande

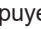


Requis pour synchroniser la télécommande avec la cassette (consulter les instructions d'initialisation pour en savoir plus).

D. Mode test

Utilisé pour corriger les problèmes (expliqué en détail dans le guide d'entretien qui peut être trouvé sur www.dimplex.com/customer_support).

E. Réglage de l'intensité de la flamme

Règle l'intensité de la flamme et l'effet de fumée lorsque l'appareil a été activé.

Appuyer sur  pour réduire l'effet de flamme et appuyer sur  ou  pour augmenter l'effet de flamme.

! NOTE: Le changement d'intensité de l'effet de flamme prend quelques instants.

! NOTE: Pendant une utilisation normale, de l'eau de condensation peut s'accumuler sur la plateau. Cette accumulation varie selon les conditions ambiantes et doit être considérée comme normale.



! NOTE: Lorsque le réservoir à eau est vide, l'effet de flamme se désactive et le voyant DEL clignote deux fois, continuellement.

! NOTE: Sur le CDF1000-PRO, chaque côté de la flamme peut être réglé à l'aide des commandes

intégrées.

F. Réglage du volume



Règle le volume des effets de crépitement.

Sur l'unité: Appuyer sur  pour réduire le volume et appuyer sur  pour augmenter le volume.

Sur la télécommande ou le dispositif de commande intégré :

Appuyer sur  allumer et éteindre le volume.

G. Chaleur allumé / éteint

Met l'accessoire de chauffage facultatif en mode « activé »  ou « désactivé » .

! NOTE: Le fil à 2 broches (Figure 1) doit être relié à l'appareil de chauffage pour que la télécommande fonctionne.

Télécommande

Le dispositif de commande intégré peut être utilisé de la même manière que la télécommande, mais il contient le récepteur pour communiquer avec la télécommande.

Le dispositif de commande intégré doit être branché à l'appareil, et l'interrupteur marche/arrêt doit être à la position MARCHE (« I ») pour que la télécommande fonctionne.

! NOTE: Pour qu'elle fonctionne correctement, la télécommande doit être initialisée avec l'appareil.

Initialisation/reprogrammation de la télécommande

Pour que la télécommande puisse communiquer avec l'appareil, le récepteur doit être activée, comme suit :


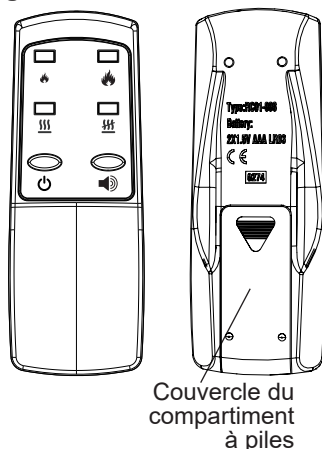
1. Vérifiez que del commande intégrée est correctement connecté - la lumière rouge sur le contrôleur sera illuminée.
 2. S'assurer que l'interrupteur marche/arrêt (On/Off) est à la position marche « I » (Figure 7A).
 3. Appuyer sur la touche d'initialisation  des commandes primaires (côté gauche).
 4. L'appareil émettra des bips, et les témoins lumineux s'allumeront et s'éteindront toutes les 2 ½ secondes pour signaler que l'appareil est en mode synchronisation.
 5. Dans les 20 secondes suivant l'activation de la fonction, appuyer sur n'importe quelle touche de la télécommande (Figure 9).
- ! NOTE:** Cette dernière étape doit être effectuée en moins de 20 secondes. Dans le cas contraire, toutes ces étapes devront être effectuées de nouveau.
6. Si la synchronisation est réussie, la DEL clignote 5 fois et un bip 5 fois, l'appareil passera en mode Veille.

Figure 9



La télécommande et le dispositif de commande intégré seront ainsi synchronisés.

! NOTE: Il est possible de synchroniser au plus 5 appareils à une télécommande.

Remplacement de la pile

Pour remplacer la pile :

1. Ouvrir le compartiment à pile de la télécommande (Figure 9).
2. Installer deux piles de 1,5 V (AAA) dans le compartiment.
3. Refermer le compartiment à piles.



Les piles usagées doivent être recyclées ou éliminées de façon adéquate. Vérifier auprès des autorités locales ou de votre détaillant s'ils peuvent vous donner des conseils en matière de recyclage dans votre région.



Entretien

⚠ AVERTISSEMENT : Débrancher l'appareil avant tout entretien ou nettoyage afin de réduire le risque d'incendie, de décharges électriques ou de blessures.

Remplissage du réservoir à eau

Lorsque le réservoir à eau est vide, l'effet de flamme se désactive et la DEL clignote en continu. Suivez ces étapes pour remplir le réservoir.

⚠ MISE EN GARDE : Laisser les composants refroidir au moins cinq minutes avant de désassembler le réservoir pour le remplissage.

1. Retirer délicatement le plateau à matériaux incandescents et le déposer au sol.
2. Mettre l'interrupteur marche/arrêt à la position d'arrêt **(0)** (Figure 7A).
3. Retirer le contenant de remplissage en le levant et en l'extrayant vers l'extérieur.
4. Remplir le contenant d'eau du robinet.

! NOTE: L'eau du robinet peut être utilisée pour le modèle Opti-myst®, pourvu qu'elle ne soit pas considérée comme de l'eau dure. Dans le cas d'eau dure, vous pouvez utiliser de l'eau adoucie ou distillée en ajoutant $\frac{1}{8}$ cuil. à thé (0,5 ml) de sel dans le réservoir à eau. (N'ajouter du sel que si l'appareil ne produit visiblement pas la vapeur comme il le devrait.)

5. Revisser le couvercle, **sans trop serrer**.
6. Remettre le contenant de remplissage dans le réservoir, le couvercle orienté vers le bas et le côté plat du réservoir vers l'extérieur.
7. Mettre l'interrupteur marche/arrêt à la position d'arrêt « **I** » (Figure 7A).
8. Remettre délicatement le plateau en place.

Si l'appareil ne doit pas être utilisé pendant 2 semaines ou plus, retirer l'eau de l'appareil et faire sécher tous les composants contenant de l'eau.

Remplacement du transducteur

Après une utilisation prolongée, la capacité de l'appareil à produire de la vapeur pourrait diminuer. Dans cette situation, il peut être nécessaire de remplacer le transducteur. Cet appareil contient transducteur(s) supplémentaires, situé à l'intérieur de l'unité, qui peuvent être installés si cela se produit.

! NOTE: Il existe une petite languette qui maintient le transducteur en place, qui doit être libéré avant qu'il ne puisse être enlevé.



Entretien

Nettoyage

Il faut laver **le couvercle, la cuve et le transducteur** avec de l'eau savonneuse, et ce, aux deux semaines ou au moins une fois par mois.

⚠ MISE EN GARDE : Ne pas placer les composants en plastique au lave-vaisselle.

Le filtre à eau (Figure 1) doit être rincé sur **une base régulière** pour éliminer les particules collectées.

Nettoyage du filtre

Le filtre à air peut être retiré, nettoyé délicatement à l'eau et laissé à sécher sur une serviette avant d'être remis en place.

! NOTE: Replacer le filtre de sorte que le filtre dégrossisseur noir soit face à l'arrière de l'appareil.

Nettoyage des surfaces

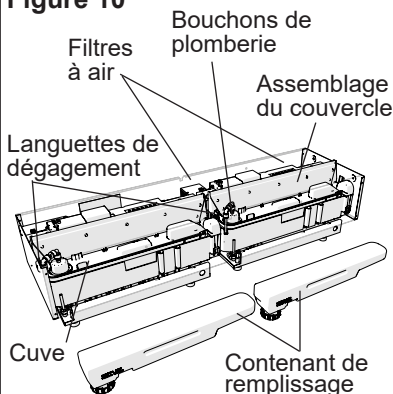
Nettoyer les surfaces de l'appareil à l'aide d'un chiffon humide et tiède. Ne pas utiliser de nettoyants abrasifs.

! NOTE: Si le déplacement de l'appareil est nécessaire, s'assurer que tous les composants qui contiennent de l'eau ont été vidés avant la réinstallation.

Entretien

Tout type d'entretien autre que l'installation et le nettoyage décrits dans ce manuel doit être effectué par un représentant de service autorisé.

Figure 10



Accessoires

Veillez communiquer avec votre dépositaire pour vous procurer des accessoires Dimplex d'origine. Exemple : ensembles de bûches, ensemble de prise, appareil de chauffage et trousse de plomberie.



Garantie

Garantie limitée de deux ans

Produits couverts par la présente garantie limitée

La présente garantie limitée s'applique à la cassette Dimplex. La présente garantie limitée ne s'applique qu'aux achats effectués dans l'une des provinces du Canada, à l'exception du Yukon, du Nunavut et des Territoires du Nord-Ouest, ou dans l'un des 50 États américains (y compris le district fédéral de Columbia), à l'exception d'Hawaï et de l'Alaska. La présente garantie limitée est valable seulement pour l'acheteur original du produit et ne peut être transférée.

Produits non couverts par la présente garantie

Les produits achetés au Yukon, au Nunavut, dans les Territoires du Nord-Ouest, à Hawaï ou en Alaska ne sont pas couverts par la présente garantie limitée. Les produits achetés dans ces États, provinces ou territoires sont vendus TELS QUELS sans aucune garantie ni condition (y compris, notamment, toute garantie ou condition implicite de qualité marchande ou de convenance à un usage particulier), et l'acheteur doit assumer tous les risques relatifs à la qualité et au rendement des produits. En cas de défectuosité, tous les frais d'entretien et de réparation incombent à l'acheteur.

Couverture et durée de la présente garantie limitée

Les produits, à l'exception des manteaux et des garnitures, couverts par la présente garantie limitée ont été testés et inspectés avant l'envoi. Conformément aux dispositions de la présente garantie, Glen Dimplex Americas Ltd. (appelée aux présentes Glen Dimplex Americas) garantit que ces produits sont exempts de tout vice de matériau et de fabrication pour une période de deux ans à partir de la date d'achat desdits produits, comme suit : (a) une garantie de réparation ou de remplacement sur les produits défectueux

ou les pièces défectueuses, y compris les services à domicile, pendant la première année à compter de la date d'achat; (b) par la suite, une garantie de remplacement de pièces sur les produits défectueux et sur des pièces défectueuses (sans le service à domicile) pour une période de un an à compter du premier anniversaire de la date d'achat, se terminant au deuxième anniversaire de la date d'achat.

Les manteaux et les garnitures des foyers Glen Dimplex Americas couverts par la présente garantie limitée ont été testés et inspectés avant l'envoi. Conformément aux dispositions de la présente garantie, Glen Dimplex Americas garantit que ces produits sont exempts de tout vice de matériau et de fabrication pour une période de un an à partir de la date d'achat desdits produits. Les services couverts par cette garantie ne s'appliquent pas aux services à domicile.

La garantie limitée de deux ans couvrant les produits autres que les manteaux et les garnitures et la garantie limitée de un an couvrant les manteaux et les garnitures s'appliquent également à toute garantie implicite pouvant exister en vertu des lois en vigueur. Certaines collectivités publiques ne permettent pas de restreindre la durée d'une garantie implicite, de sorte qu'il est possible que la restriction ci-dessus ne s'applique pas à l'acheteur.

Exclusions de la présente garantie limitée

La présente garantie limitée ne couvre pas les produits qui ont été réparés (sauf par Glen Dimplex Americas ou ses représentants de service autorisés) ou autrement modifiés. Elle ne couvre pas non plus les défectuosités résultant d'un mauvais usage, d'un usage abusif, d'un accident, de négligence, d'une mauvaise installation, d'une manipulation ou d'un entretien inadéquat, ou de l'utilisation avec une source de courant inadéquate.



Garantie

Ce que vous devez faire pour vous prévaloir du service dans le cadre de la présente garantie limitée

Les défauts doivent être signalés au Service technique au 1 888 346-7539. Au moment d'appeler Dimplex, veuillez avoir à portée de la main une preuve d'achat, ainsi que les numéros de catalogue, de modèle et de série du produit défectueux. Vous devez avoir une preuve d'achat du produit pour vous prévaloir du service dans le cadre de la garantie limitée.

Ce que fera Glen Dimplex Americas en cas de défaut

S'il s'avère qu'une pièce ou qu'un produit couverts par cette garantie limitée présentent effectivement un vice de matériau ou de fabrication pendant (i) la garantie limitée de deux ans pour les produits autres que manteaux et les garnitures, et (ii) la garantie limitée de un an pour les manteaux et les garnitures, vous aurez alors les droits suivants :

- Le service sous garantie limitée sera dispensé uniquement par des dépositaires ou agents de service de Glen Dimplex Americas autorisés à dispenser des services sous garantie limitée.
- **Pour les produits (autres que le manteau ou les garnitures) : pendant une période se terminant à minuit au premier anniversaire de la date d'achat**, Glen Dimplex Americas Ltd. (appelée aux présentes Glen Dimplex Americas) pourra, à sa seule discrétion, réparer ou remplacer sans frais la pièce ou le produit défectueux. Si Glen Dimplex Americas est incapable de réparer ou de remplacer la pièce ou le produit, ou si la réparation ou le remplacement n'est pas commercialement possible, ou ne peut être fait rapidement, Glen Dimplex Americas pourra, au lieu d'effectuer la réparation ou le remplacement, décider de rembourser le prix d'achat de la pièce ou du produit. *Cette garantie limitée donne droit à l'acheteur à des services*

sous garantie sur place ou à domicile.

Par conséquent, Glen Dimplex Americas assumera tous les frais de main-d'œuvre et de transport liés à la réparation ou au remplacement du produit ou de la pièce, sauf pour ce qui suit : (i) des frais pourraient être facturés pour les coûts engagés pour se rendre au site de l'acheteur où le produit se trouve, si ce site est à plus de 48 kilomètres (30 milles) du centre de service le plus près d'un dépositaire ou d'un agent de service de Glen Dimplex Americas; et (ii) l'acheteur est entièrement responsable de dégager l'accès à toutes les pièces ou produits susceptibles d'être réparées ou entretenues.

- **Pour les produits (autres que le manteau ou les garnitures), pendant une période commençant à 00 h 01, le jour après le premier anniversaire de la date d'achat, et se terminant à minuit au deuxième anniversaire de la date d'achat**, cette garantie limitée donne droit à l'acheteur à un remplacement sans frais des pièces de rechange uniquement. Si Glen Dimplex Americas est incapable de réparer ou de remplacer ladite pièce ou ledit produit, ou si la réparation ou le remplacement n'est pas commercialement possible, ou ne peut être fait rapidement, Glen Dimplex Americas pourra, au lieu d'effectuer la réparation ou le remplacement, décider de rembourser le prix d'achat de ladite pièce ou dudit produit. L'acheteur n'a pas droit à des services sous garantie sur place ou à domicile. L'acheteur assume la responsabilité de toutes les dépenses engagées pour le retrait de la pièce défectueuse et pour l'installation de la pièce de rechange y compris, notamment, tous les frais d'expédition et de transport aller-retour à l'établissement commercial du dépositaire ou de l'agent de service autorisé et tous les frais liés à la main-d'œuvre. Ces frais n'incombent pas à Glen Dimplex Americas.



Garantie

- **Pour les manteaux et les garnitures : pendant une période se terminant à minuit au premier anniversaire de la date d'achat**, Glen Dimplex Americas pourra, à sa seule discrétion, réparer ou remplacer sans frais les garnitures et les manteaux défectueux, en tout ou en partie. Si Glen Dimplex Americas est incapable de réparer ou de remplacer la pièce ou le produit, ou si la réparation ou le remplacement n'est pas commercialement possible, ou ne peut être fait rapidement, Glen Dimplex Americas pourra, au lieu d'effectuer la réparation ou le remplacement, décider de rembourser le prix d'achat de la pièce ou du produit. L'acheteur n'a pas droit à des services sous garantie sur place ou à domicile. L'acheteur assume la responsabilité de toutes les dépenses engagées pour la réparation ou le remplacement de la pièce ou du produit défectueux, y compris, notamment, tous les frais d'expédition et de transport aller-retour à l'établissement commercial du dépositaire ou de l'agent de service autorisé et tous les frais liés à la main d'œuvre. Ces frais n'incombent pas à Glen Dimplex Americas.
- Des services sur place ou à domicile non offerts dans le cadre de la présente garantie peuvent être dispensés à la demande expresse et aux frais de l'acheteur, au tarif en vigueur que facture Glen Dimplex Americas pour de tels services.

Autres exclusions à la responsabilité de Glen Dimplex Americas et de ses dépositaires et agents de service :

GLEN DIMPLEX AMERICAS, SES ADMINISTRATEURS, SES GESTIONNAIRES OU SES AGENTS NE POURRONT EN AUCUN CAS ÊTRE TENUS RESPONSABLES ENVERS L'ACHETEUR OU TOUTE AUTRE TIERCE PARTIE, EN VERTU D'UN CONTRAT,

DU DROIT DE LA RESPONSABILITÉ CIVILE DÉLICTEUELLE OU SUR TOUTE AUTRE BASE, DE COÛTS, DE PERTES OU DE DOMMAGES INDIRECTS, SPÉCIAUX, PUNITIFS, EXEMPLAIRES OU ACCESSOIRES DÉCOULANT DIRECTEMENT OU INDIRECTEMENT DE LA VENTE, DE L'ENTRETIEN, DE L'UTILISATION OU DE L'INCAPACITÉ D'UTILISATION DU PRODUIT, MÊME SI GLEN DIMPLEX AMERICAS, SES GESTIONNAIRES, SES ADMINISTRATEURS OU SES AGENTS ONT ÉTÉ INFORMÉS DE LA POSSIBILITÉ DE TELS COÛTS, PERTES OU DOMMAGES, OU SI LESDITS COÛTS, PERTES OU DOMMAGES SONT PRÉVISIBLES. GLEN DIMPLEX AMERICAS, SES GESTIONNAIRES, SES ADMINISTRATEURS OU SES AGENTS NE POURRONT EN AUCUN CAS ÊTRE TENUS RESPONSABLES DE COÛTS, DE PERTES OU DE DOMMAGES DIRECTS QUI DÉPASSENT LE PRIX D'ACHAT DU PRODUIT.

CERTAINES COLLECTIVITÉS PUBLIQUES NE PERMETTENT PAS QUE DES EXCLUSIONS OU LIMITATIONS AUX DOMMAGES INDIRECTS OU ACCESSOIRES SOIENT APPLIQUÉES. IL SE POURRAIT DONC QUE LES EXCLUSIONS ET LIMITATIONS CI-DESSUS NE S'APPLIQUENT PAS À L'ACHETEUR.

Comment les lois provinciales et d'État s'appliquent

Cette garantie limitée vous confère des droits juridiques précis, et il se peut que vous ayez d'autres droits qui varient d'une collectivité publique à l'autre. Les dispositions de la Convention des Nations Unies sur les contrats de vente de biens ne s'appliquent pas à cette garantie limitée ou à la vente de produits couverts par cette garantie limitée.



Service d'assistance technique

Vous trouverez du soutien technique et des instructions de dépannage, ainsi qu'une liste de pièces de rechange à

www.dimplex.com/customer_support.

1-888-346-7539 | www.dimplex.com

Dans le cadre de notre politique d'amélioration continue de nos produits, nous nous réservons le droit de modifier les spécifications sans préavis.

© 2019 Glen Dimplex Americas

Glen Dimplex
AMERICAS



Améliorer les moments qui comptent plus dans la vie



Manual del propietario

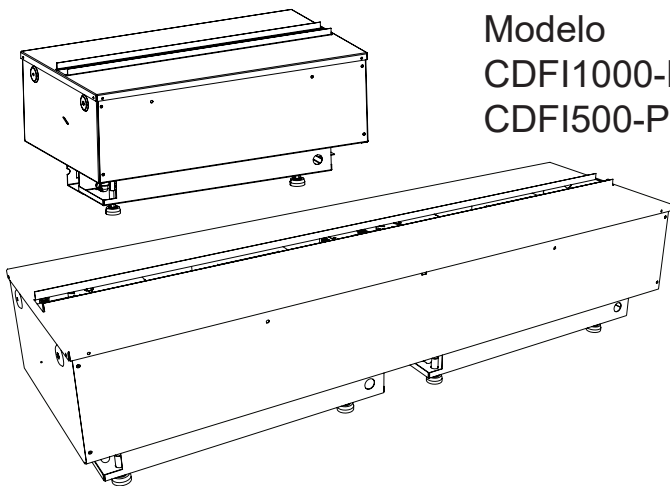
6909660300

6909660400

Modelo

CDFI1000-PRO

CDFI500-PRO











INFORMACIÓN IMPORTANTE DE SEGURIDAD: Siempre lea este manual antes de intentar instalar o usar el casete Opti-myst®. Por su seguridad, siempre respete todas las advertencias e instrucciones de seguridad que se incluyen en este manual para evitar daños personales o daños a su propiedad.

Para ver la lista completa de productos Dimplex, visite www.dimplex.com.

7214300200R03



Índice

	Bienvenido y felicitaciones	3
	INSTRUCCIONES IMPORTANTES.	4
	Instalación.	6
	Funcionamiento.	13
	Mantenimiento.	16
	Accesorios.	17
	Garantía	18
	Servicio Técnico	21

Siempre consulte con un técnico calificado o una agencia de servicio para reparar esta unidad.i

! NOTA: Procedimientos y técnicas importantes a considerar:

! PRECAUCIÓN: Procedimientos y técnicas que, si no se respetan atentamente, terminarán por dañar el equipo.

! ADVERTENCIA: Procedimientos y técnicas que, si no se respetan escrupulosamente, expondrán al usuario a un riesgo de incendio, lesiones graves o la muerte.

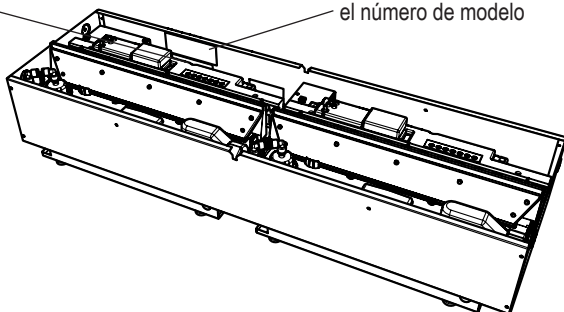
Bienvenido y felicitaciones

Gracias y felicitaciones por haber adquirido el casete Opti-myst® de Dimplex. Por favor, utilice nuestra página en línea para registrar el número de modelo y de serie para referencia futura en:

www.dimplex.com/register

Etiqueta del número de serie

Etiqueta de clasificación con el número de modelo




Lea atentamente y guarde estas instrucciones.


⚠ PRECAUCIÓN: Antes de comenzar la instalación, asegúrese de leer las instrucciones y advertencias cuidadosamente. No seguir estas instrucciones podría provocar una descarga eléctrica, un incendio y la anulación de la garantía.



NO ES NECESARIO REGRESAR A LA TIENDA

¿Tiene preguntas sobre la operación o el montaje? ¿Necesita información sobre las piezas? ¿El producto está bajo la garantía del fabricante?

Comuníquese con nosotros:  **www.dimplex.com/customer_support**
Para solucionar problemas y recibir asistencia técnica

O  **sin cargo al 1-888-346-7539**

De lunes a viernes, de 8:00 a.m. a 4:30 p.m. Hora estándar del este
A fin de proporcionarle un mejor servicio tenga a la mano el número de modelo y de serie del producto cuando llame, o regístrelos en línea. (Ver más arriba.)

INSTRUCCIONES IMPORTANTES

Cuando se usen aparatos eléctricos, siempre se deben seguir las precauciones básicas para reducir el riesgo de incendio, descarga eléctrica y lesiones a las personas, que incluyen las siguientes:

- ① Lea todas las instrucciones antes de utilizar la unidad.
- ② No utilice la unidad si se ha caído o se ha dañado de alguna manera. Comuníquese con el servicio técnico al 1-888-346-7539.
- ③ No utilice este aparato en exteriores.
- ④ Tenga especial cuidado al usar calefactores de aire cerca de niños o de personas discapacitadas, o si estos los operan, y siempre que deje la unidad encendida y desatendida.
- ⑤ No opere ningún calentador si éste no funciona correctamente. Desconecte el suministro eléctrico en el panel central y solicite los servicios de un electricista acreditado para verificar la unidad antes de volver a utilizarla.
- ⑥ Para desconectar la unidad, apague los controles, desconéctelo del panel de servicio.
- ⑦ No introduzca ni deje que entren cuerpos extraños en los orificios de ventilación o escape, ya que ello puede provocar una descarga eléctrica o un incendio, o bien ocasionar daños al calentador.
- ⑧ Para evitar un posible incendio, no bloquee la entrada ni la salida de aire en ningún momento.
- ⑨ Todos los calefactores eléctricos tienen en su interior piezas calientes y que provocan chispas o arcos eléctricos. No lo utilice en zonas en las que se emplee o almacene gasolina, pintura o líquidos inflamables.
- ⑩ No modifique esta unidad. Utilícelo sólo de la forma descrita en este manual. Cualquier otro uso que no haya sido recomendado por el fabricante puede provocar un incendio, una descarga eléctrica o lesiones a las personas.
- ⑪ No queme madera ni otros materiales en la unidad.
- ⑫ En caso de requerirse nuevos circuitos o tomacorrientes, acuda siempre a un electricista calificado.
- ⑬ Desconecte la fuente de alimentación eléctrica antes de realizar cualquier tipo de limpieza, mantenimiento o reubicación de la unidad.
- ⑭ Al transportar o almacenar la unidad, manténgalos en un lugar seco y libre de vibraciones excesivas, y almacénelos de manera tal que se eviten daños.

⚠️ INSTRUCCIONES IMPORTANTES

⚠️ ADVERTENCIA: El control remoto contiene baterías pequeñas. Manténgase alejado de los niños. Si se ingiriesen, consulte con un médico inmediatamente.

⚠️ ADVERTENCIA: No coloque las baterías al revés, no las cargue, no las incinere ni las mezcle con otro tipo de baterías ni con baterías usadas previamente, ya que podrían explotar o tener fugas, ocasionando lesiones.

! NOTE: Los cambios o las modificaciones que no hayan sido expresamente aprobados por el responsable del cumplimiento, podrían anular la autorización que el usuario tiene para utilizar dicha unidad.

⚠️ PRECAUCIÓN: Este equipo ha sido probado y se ha determinado que cumple con los límites para los dispositivos digitales de Clase B, de conformidad con la parte 15 de la reglamentación de la Comisión Federal de Comunicaciones (Federal Communication Commission, FCC). Estos límites están diseñados para brindar protección razonable contra interferencia perjudicial en una instalación residencial. Este equipo genera, utiliza y puede irradiar energía de radiofrecuencia y, si no está instalado y no se usa de acuerdo con las instrucciones, puede

provocar interferencia perjudicial en la recepción de radio o televisión, lo que puede determinarse apagando el equipo y encendiéndolo nuevamente. Se alienta que el usuario intente corregir la interferencia tomando una o más de las medidas siguientes:

- Reoriente o reubique la antena receptora.
- Aumente la separación entre el equipo y el receptor.
- Conecte el equipo a un tomacorriente de un circuito que no sea el circuito al cual está conectado el receptor.
- Consulte con el distribuidor o con un técnico de radio/televisión experimentado para solicitar ayuda.

Este aparato cumple con la sección 15 del Reglamento FCC. El funcionamiento está sujeto a las dos condiciones siguientes: (1) Este dispositivo puede no provocar interferencia perjudicial, y (2) este dispositivo debe aceptar cualquier interferencia recibida, incluida la interferencia que pueda provocar el funcionamiento del dispositivo de manera no deseada.

⚠️ PRECAUCIONES DE LA FCC : Cualquier cambio o modificación no aprobados por la parte responsable del cumplimiento podrían anular la autoridad del usuario de utilizar este equipo.



PRECAUCIÓN
RIESGO DE DESCARGA ELÉCTRICA
NO ABRIR NO CONTIENE PIEZAS QUE PUEDAN
SER REPARADAS POR EL USUARIO



GUARDE ESTAS INSTRUCCIONES

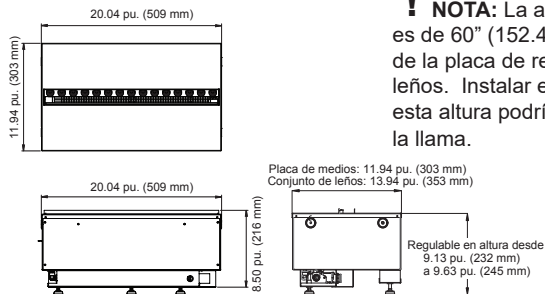
Instalación

Los unidades CDFI1000-PRO y CDFI500-PRO son ensamblada, y son diseñada para instalarse de forma permanente. La unidad está lista para el cableado de instalación y para utilizar las recipientes de reabastecimiento.

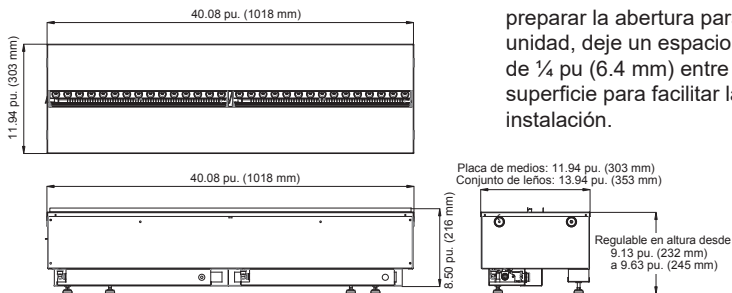
⚠ ADVERTENCIA: La construcción y el cableado eléctrico del tomacorriente deben cumplir con las ordenanzas de construcción municipales y con la demás reglamentación aplicable a fin de reducir el riesgo de incendio, descarga eléctrica y lesiones físicas.

Dimensiones del producto

CDFI500-PRO



CDFI1000-PRO



⚠ ADVERTENCIA: Para reducir el riesgo de incendios, no almacene o utilice gasolina o cualquier otro vapor o líquido inflamable cerca de la unidad.

! NOTA: Se requiere un circuito de 15 amperios y 120 voltios. Es preferible disponer de un circuito exclusivo, pero no es esencial en todos los casos. Hará falta un circuito exclusivo si, después de la instalación, el disyuntor salta o se funden los fusibles con cierta frecuencia cuando el casete esté en funcionamiento. Si conecta otros aparatos al mismo circuito, podrían sobrepasar la capacidad nominal de corriente del disyuntor.

! NOTA: La altura ideal de instalación es de 60" (152.4 cm) hasta la parte inferior de la placa de recursos o el conjunto de leños. Instalar el producto por encima de esta altura podría reducir la visibilidad de la llama.

! NOTA: Al momento de preparar la abertura para la unidad, deje un espacio libre de $\frac{1}{4}$ pu. (6.4 mm) entre cada superficie para facilitar la instalación.

Instalación

⚠ ADVERTENCIA: Si el casete no se instala de acuerdo con las siguientes instrucciones, se podrían ocasionar daños al equipo o se podría exponer al usuario a riesgos de incendio, lesiones graves, enfermedad o muerte.

⚠ ADVERTENCIA: No intente conectar circuitos ni tomacorrientes nuevos. Para reducir el riesgo de incendio, descarga eléctrica o lesiones físicas, acuda siempre a un electricista certificado.

⚠ ADVERTENCIA: Asegúrese de que el interruptor de encendido y apagado (On/Off) esté en posición de apagado (vaya a la sección de operación) y de que el circuito en donde instale la unidad esté apagado en el tablero de servicio hasta que termine la instalación.

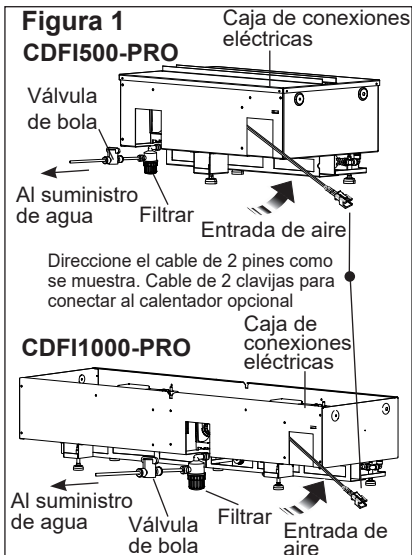
! NOTA: Lea todas las instrucciones antes de instalar la unidad.

Plomería del casete

Los unidades cuenta con recipientes de reabastecimiento para el llenado manual del depósito. La plomería se puede instalar de manera permanente con los accesorios - CDFIPLUMB-KIT, disponibles con su distribuidor local de Dimplex, o con un tubo estándar de ¼ pu (6.4 mm), utilizando la información que se indica a continuación:

! NOTA: Los accesorios de plomería están diseñados para utilizarlos con plomería de cobre.

⚠ PRECAUCIÓN: Asegúrese de que las conexiones de la plomería cumplan con los requisitos del código local de plomería.



⚠ PRECAUCIÓN: Asegúrese de que la conexión de la plomería esté conectada de tal manera que se pueda apagar fácilmente durante el mantenimiento.

1. Debe contar con una línea de agua fría cerca del lugar donde va a montar el casete.

! NOTA: Puede usar agua corriente de grifo en el Opti-myst®, siempre y cuando no sea agua dura. En caso de que el agua del grifo sea agua dura, se recomienda utilizar agua blanda o filtrada.

2. Apague el suministro de agua principal y drene por completo la línea de agua (si es posible), antes de conectarla.

Instalación

! NOTA: Una vez que las nuevas conexiones de las tuberías están completos asegurar que las líneas se vacían para evitar que cualquier residuo de entrar en la unidad.

3. En la cinta, retire los conjuntos de cubierta superior (Figura 10, página 18) y de primera cada uno de los reservorios de agua con 33,5 oz (1 litro) de agua.
4. Reemplace los ensamblajes de la cubierta superior y asegúrese de que las dos tapas de plomería estén bien sujetos a la cubierta superior de los depósitos de agua. (Figura 10, página 18)
5. Identifique la válvula de bola que se encuentra en la parte central inferior de la unidad (cerca del reverso). (Figura 1)

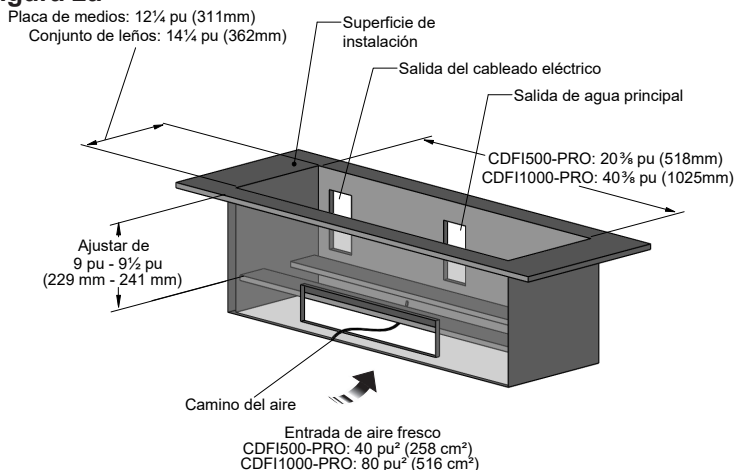
6. Fije un extremo del tubo de $\frac{1}{4}$ pu (6.4 mm) a la válvula de bola. Inserte completamente el tubo en la válvula de bola (aproximadamente $\frac{1}{2}$ pu (12 mm)).

- ! NOTA:** Verifique que el extremo del tubo esté cortado en perpendicular para evitar filtraciones.
7. Dirija el tubo hacia el área del suministro de agua.
 8. Verifique que todas las conexiones estén insertadas completamente, y comience a abrir cada una de las válvulas, asegurándose de que no existan derrames.

Conectar entre sí varias unidades

Cuando se conectan varias unidades juntas, la tubería debe ser construido

Figura 2a



✂ Instalación

Figura 2b

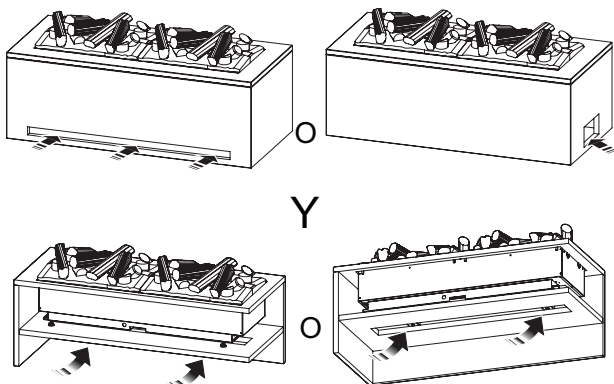
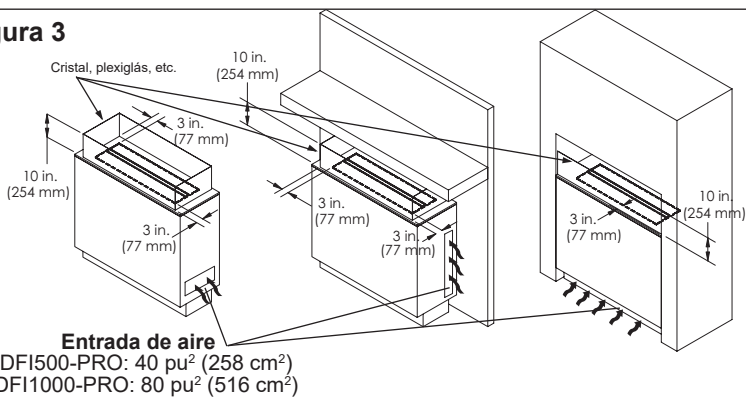


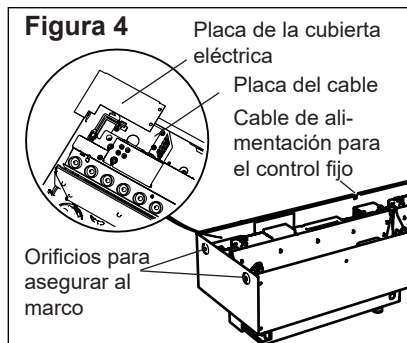
Figura 3



en una configuración múltiple de estilo, tamaño apropiado para el número de unidades que se va a instalar un volumen de agua de manera constante y la presión está siendo suministrada a cada unidad.

Nueva construcción

Cuando seleccione la ubicación del casete Opti-myst®, verifique que no existan ventiscas, ventilaciones, abanicos y otras corrientes de aire. Similar a una vela, las corrientes de aire afectarán la capacidad de crear y mantener un efecto de llama en la unidad.



Si la ubicación deseada es susceptible de movimiento de aire significativo, es decir, las salidas de aire, las diferentes opciones de instalación ilustradas en la Figura 3 se pueden utilizar. Es importante que la superficie que rodea la parte superior de la casete tienen al menos un espacio libre 3 pu. (72 mm) de cualquier superficie vertical y la barrera sea 10 pu. (254 mm) de altura desde la superficie de instalación, para asegurar la producción óptima de la llama.

! NOTA: Se recomienda que durante la instalación de paneles de yeso y acabados, instale la placa de medios con la bolsa proporcionada para evitar que el polvo y la suciedad entren en la unidad.

1. Use taquetes para marcar el entorno con las siguientes dimensiones internas/de abertura mínimas. Tenga en cuenta que la placa de medios (incluida) y el juego de leños (opcional) requieren anchos de apertura diferentes - véase la figura 2.

! NOTA: Se necesita una entrada de aire fresco de 72 pu² (460cm²) para el CDF1000-PRO y 40 pu² (258 cm²) para el CDF1500-PRO. La toma de aire debe permitir que el aire alcance la parte inferior del casete Opti-myst (Figura 2 y 3). Si se instala en el calentador Pro Box de Opti-myst (opcional), no se requiere una toma de aire adicional. El diseño del calentador Pro Box de Opti-myst incluye tomas de aire.

Para **un rendimiento óptimo** mantenga un espacio libre de 16 pu (405 mm) sobre la superficie de instalación. Mantenga un espacio libre de 12 pu (305 mm) como **mínimo**.

2. En la esquina posterior izquierda de la unidad, retire los dos tornillos que fijan el tablero de la cubierta eléctrica.
3. Coloque un cable conector de $\frac{3}{8}$ pu (10mm) o $\frac{1}{2}$ pu (13mm), no incluido, apropiado para montar en un orificio de $\frac{7}{8}$ pu (22mm), a la placa del cable y alimente el cable eléctrico a través del conector. Retire los dos tornillos a los extremos que fijan el tablero para quitar la placa del cable y tener acceso más fácilmente.

! PRECAUCIÓN: Utilice un cable de dos conductores de cubierta no metálica con el cable de tierra (3 cables en total) para el suministro eléctrico de entrada en las partes móviles del casete. Utilice el cable adecuado para cumplir con los

códigos municipales y nacionales de consumo de energía nominal.

! NOTA: Si instala varias unidades cerca, necesitará conectar los cables de forma paralela.

! NOTA: El diseño del casete Opti-myst® permite la instalación de un interruptor de pared que controla la alimentación a la unidad.

4. Conecte el cable negro (energía) proveniente de la unidad al cable de energía del suministro eléctrico.
5. Conecte el cable blanco (neutral) de la unidad al cable neutro del suministro eléctrico.
6. Conecte el cable verde (a tierra) proveniente de la unidad al cable de tierra del suministro eléctrico.
7. Coloque todos los conectores dentro de la unidad y fije la abrazadera del cable a la unidad asegurándose que esté sujeta únicamente de la cubierta del cable de servicio.

⚠ ADVERTENCIA: Asegúrese de que el cordón eléctrico no esté instalado de manera que quede apretado o aplastado contra un borde filoso, y asegúrese también de que esté bien guardado o sujeto para evitar tropiezos o enganches y reducir, así, el riesgo de incendio, descarga eléctrica o lesiones físicas.

8. Instale la unidad en el marco resistente de manera que se apoyen sobre las dos soleras,

una al frente y la otra en la parte posterior o en una superficie nivelada. Asegúrese de mantener una abertura para el aire.

9. Nivele la caja, de derecha a izquierda y de adelante hacia atrás, utilizando las patas ajustables ubicadas en la parte inferior de la unidad.
10. Asegure la unidad a la estructura permanente en cualquiera de los extremos a través de un mínimo de dos agujeros (Figura 2).

Preparación del funcionamiento

1. Una vez que se hayan instalado los paneles de yeso y los acabados estén listos en el área circundante, quite la placa de medios de la unidad.
2. Desenvolver el controlador atado y asegúrese de que el cable es conducido a través de la abertura en la parte inferior de la unidad, donde la tubería se une con fuerza. (Figura 4)
3. Ubique el controlador fijo de tal manera que:
 - a) el acceso será fácil, si se utiliza como control principal o
 - b) que no esté bloqueado por ningún bloque, la piedra o lámina de metal para que pueda recibir fácilmente la señal del control remoto.
4. Inicie el control fijo al control remoto (consulte la sección de operación, página 16).

Instalación

5. Llene la unidad:

- **Recipientes de reabastecimiento** - quitar los conjuntos de tapa de llenado desde la entrada a los tanques de depósito, a continuación, instalar los contenedores de recarga. (Figura 10, página 18)

! NOTA: Durante la instalación inicial, el recipiente de reabastecimiento deberá volver a llenarse después de que se llene el depósito para asegurar el máximo tiempo de operación. Recipiente de relleno con capacidad para 42 oz. (1.25 l).

- **Plomería permanente** - primera cada uno de los reservorios de agua con 33,5 oz (1 litro) de agua.

! NOTA: Puede usar agua corriente de grifo en el Opti-myst®, siempre y cuando no sea agua dura. Si el agua del grifo es dura, puede usar agua blanda o destilada añadiendo $\frac{1}{8}$ de una cucharadita de sal (0.5 ml) al depósito de agua. (La sal sólo debe añadirse si nota que la unidad no produce la cantidad de bruma esperada.)

6. Instale la placa para medios o el conjunto de leños encima.

! NOTA: Si desea decorar la unidad con otros accesorios además de la placa de medios o el juego de leños, asegúrese de que los medios utilizados no produzcan pequeñas partículas que puedan caer dentro de la unidad y de que no pesen más

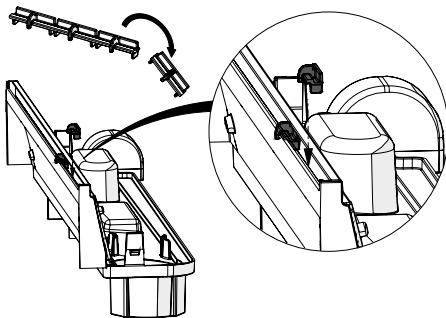
de 10 libras (4.5 kg), en el caso del CDFI500-PRO, y de 20 lbs (9 kg), en el caso del CDFI1000-PRO.

Personalizar la flama

El CDFI500-PRO y CDFI1000-PRO incluyen insertos que permiten personalizar la apariencia de la flama. Consulte las Figuras 5 y 6. Para usar los espaciadores, primero sepárelos a lo largo de la línea marcada (Figura 5). Luego, insértelos en la boquilla en los puntos que prefiera. Se recomienda colocarlos bajo cualquier medio que atraviese la flama, por ejemplo, los troncos.

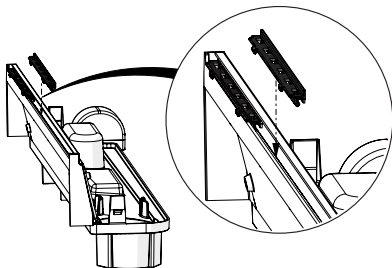
Para usar las ranuras, insértelas en la boquilla (Figura 6). Es posible usar hasta 3 insertos para ranuras en cada boquilla.

Figura 5



✂ Instalación

Figura 6

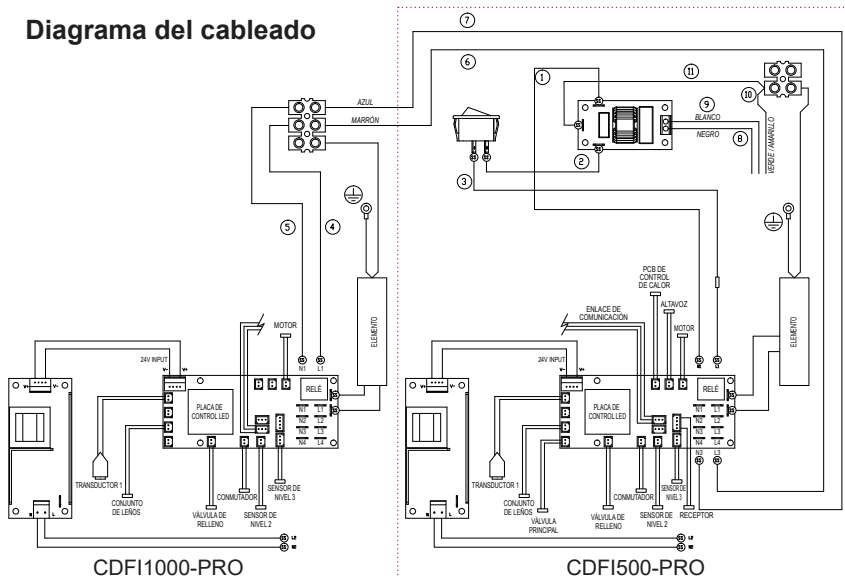


Instalación en el baño

Debe proteger la unidad a través de un circuito con interruptor por fallo a tierra. Si usa un receptáculo, éste debe estar a la mano.

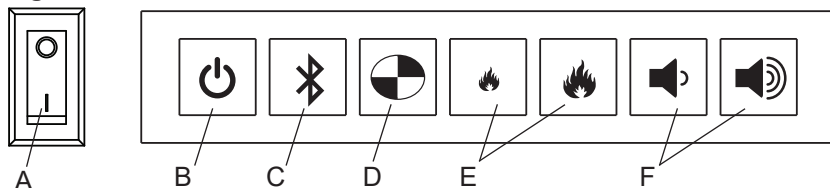
Esta unidad no es impermeable y debe instalarse de manera que no entre en contacto con agua para evitar descargas eléctricas. Debe instalar la unidad lejos de regaderas, tinas, etc. Nunca coloque la chimenea sobre una bañera u otro recipiente con agua. Mantenga toallas y cualquier otro material combustible a 3 pies (0.9 m) de la parte superior de la unidad.

Diagrama del cableado



Funcionamiento

Figura 7



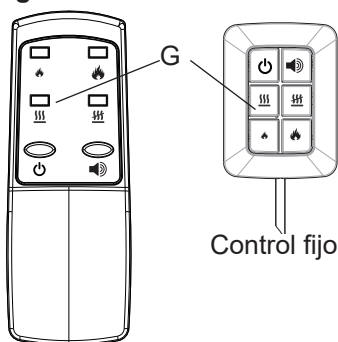
⚠ ADVERTENCIA: Debe instalar la unidad de manera adecuada antes de utilizarla.

Existen tres opciones diferentes para controlar la unidad: manual (bajo la placa de medios), controlador fijo (debe estar conectado a la unidad) y un control remoto.

La unidad CDF11000-PRO tiene dos módulos internos separados que se controlan a través de la configuración que se establece en la parte izquierda (primario). Puede realizar un ajuste más detallado utilizando los controles ubicados en el módulo derecho para que ambos módulos funcionen al mismo nivel (secundario).

! NOTA: Cuando la unidad se utilice en un entorno con un nivel de ruido de fondo muy bajo, es posible que escuche un sonido relacionado con la operación del efecto de llama. Esto es normal y no debe ser motivo de preocupación.

Figura 8



Control remoto

Control fijo

Controles

A. Interruptor de encendido/apagado (On/Off)

Suministra electricidad a la unidad.

B. Modo de espera

Enciende el efecto de llama o pone la unidad en modo de espera.

! NOTA: Al encender por primera vez la unidad, las luces se encenderán y la bruma aparecerá 45 segundos después.

Funcionamiento

C. Inicialización de control remoto



Se requiere para inicializar el control remoto, con el casete; consulte las instrucciones de inicialización para obtener más información.

D. Modo de prueba

Se utiliza para la solución de problemas, descrito a detalle en el manual de mantenimiento que se puede encontrar en www.dimplex.com/customer_support.

E. Regulador de la intensidad de la llama

Controla la intensidad de los efectos de llama y humo cuando la unidad está encendida.

Si presiona  el efecto de la llama disminuirá y si presiona  el efecto de la llama aumentará.

! NOTA: Espere un poco para que se lleve a cabo el ajuste y cambie el efecto de la llama.

! NOTA: Durante una operación normal, notará condensación de agua en la placa de medios. Esto varía dependiendo de la condición ambiental y es normal.



! NOTA: Cuando el depósito de agua esté vacío, el efecto de llama se interrumpirá y el LED emitirá un parpadeo doble de manera continua.

! NOTA: En el CDF11000-PRO, cada lado de la llama puede


ajustarse utilizando los controles integrados.

F. Volumen Control



Ajuste el volumen de los efectos de sonido de fuego de madera.

En la unidad: Si presiona  el volumen disminuirá y si presiona  el sonido aumentará.

En los controles remoto y fijo:

Al pulsar  se encenderá el volumen 'ON' (I) y apagará 'OFF' (O).

G. Calentar encendido / apagado

Enciende ('ON')  o apaga ('OFF')  el accesorio del calentador opcional.

! NOTE: Tenga en cuenta que el cable de 2 clavijas del calentador (Figura 1) debe estar conectado al calentador para que funcione este control.

Control remoto

El control fijo se puede utilizar de la misma manera que el remoto pero éste aloja el receptor para comunicarse con el control remoto.

Conecte el control fijo a la unidad, el interruptor de encendido/apagado debe estar en la posición de encendido 'ON' (I) para que el control remoto funcione.

! NOTA: Debe inicializar el control remoto con la unidad para que funcione correctamente.

Funcionamiento

Inicialización/Reprogramación del control remoto

Para que el control remoto se conecte con la unidad, deberá configurar la receptor, como se describe a continuación:


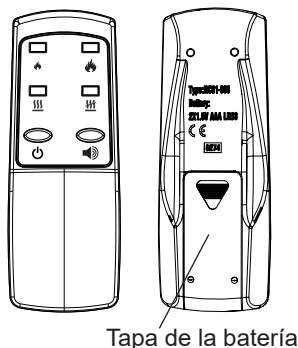
1. Compruebe que el controlador está conectado correctamente atados - se iluminará la luz roja en el controlador.
 2. Asegúrese de que el interruptor de encendido/apagado (Figura 7A) se encuentre en la posición de encendido.
 3. Presione el botón de inicialización  en los controles primario (lado izquierdo).
 4. La unidad comenzará a emitir una señal acústica y encenderá y apagará las luces cada 2½ segundos para indicar que la unidad está en modo de sincronización.
 5. Mientras presiona durante 20 segundos el botón, pulse cualquier botón del control remoto (Figura 9).
- ! NOTA:** Tendrá 20 segundos para llevar a cabo este último paso. Si no lo hace dentro de este lapso de tiempo, deberá efectuar estos pasos nuevamente.
6. Si la sincronización fue exitosa, el LED parpadeará 5 veces y un pitido 5 veces, la unidad entrará en modo de espera.

Figura 9



Esto sincronizará el control remoto y el control fijo.

! NOTA: Es posible sincronizar hasta 5 unidades en un control remoto.

Reemplazo de la batería

Para sustituir la batería:

1. En el control remoto, deslice la cubierta de la batería para abrirla (Figura 9).
2. Coloque dos baterías de 1.5 voltios (AAA) en el compartimento de las baterías.
3. Cierre la cubierta de la batería.



Es necesario reciclar la batería o desecharla de manera adecuada. Consulte con las autoridades locales o con un minorista para obtener información sobre el reciclaje en su área.



Mantenimiento

⚠ ADVERTENCIA: Para reducir el riesgo de incendio, descarga eléctrica o lesiones a personas, desconecte el suministro eléctrico antes de intentar cualquier tipo de mantenimiento o limpieza.

Llenado del depósito de agua

Cuando el depósito de agua esté vacío, el efecto de llama se interrumpirá y el LED parpadeará continuamente. Siga estos pasos para volver a llenar el tanque.

⚠ PRECAUCIÓN: Espere por lo menos cinco minutos antes de desmontar y llenar la unidad para permitir que los componentes se enfríen.

1. Retire los medios y colóquelos en el suelo con cuidado.
2. Coloque el interruptor de encendido/apagado en la posición de apagado (O) (Figura 7A).
3. Retire el depósito de reabastecimiento levantándolo hacia arriba y hacia afuera.
4. Llene el depósito con agua de grifo.

! NOTA: Puede usar agua corriente de grifo en el Opti-myst®, siempre y cuando no sea agua dura. Si el agua del grifo es dura, puede usar agua blanda o destilada añadiendo $\frac{1}{8}$ de una cucharadita de sal (0.5 ml) al depósito de agua. (La sal sólo debe añadirse si nota que la unidad

no produce la cantidad de bruma esperada.)

5. Vuelva a colocar la tapa, **sin apretar demasiado**.
6. Vuelva a colocar el depósito en el sumidero, con la tapa del depósito orientada hacia abajo y el lado plano hacia afuera.
7. Coloque el interruptor de encendido/apagado en la posición de enciende (I). (Figura 7A)
8. Coloque nuevamente la bandeja superior con cuidado.

Si no tiene la intención de utilizar la unidad durante más de 2 semanas, vacíe y drene la unidad de agua, y seque todos los componentes que contengan agua.

Para reemplazar el transductor

Después de un uso prolongado es posible que la producción de bruma se reduzca. Cuando suceda esto, es necesario cambiar el transductor. Esta unidad cuenta con transductore(s) adicionales, situé à l'intérieur de l'unité y se pueden instalar cuando esto suceda.

! NOTA: Hay una pequeña pestaña que sostiene el transductor en el lugar, que necesita ser liberado antes de que se puede quitar.



Maintenance

Limpeza

Debe limpiar *el conjunto de la cubierta superior, el sumidero y el transductor* con agua y jabón cada dos semanas o, como mínimo, una vez al mes.

⚠ PRECAUCIÓN: No coloque los componentes plásticos en el lavavajillas.

El filtro de agua debe enjuagarse con **regularidad** para eliminar las partículas recolectadas.

Limpeza del filtro

Los filtros de aire pueden extraerse y enjuagarse con agua con cuidado para su limpieza y pueden secarse con una toalla antes de volver a instalarlos.

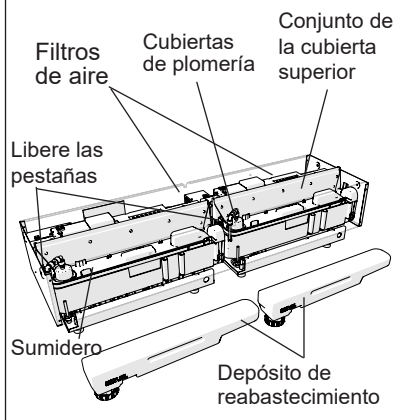
! NOTA: Sustituya el filtro de manera que el filtro grueso de color negro quede orientado hacia la parte trasero de la unidad.

Limpeza de la superficie

Utilice un paño mojado con agua tibia únicamente para limpiar las superficies de la unidad. No utilice limpiadores abrasivos.

! NOTA: Si necesita mover la unidad, asegúrese de vaciar todos los componentes que contengan agua antes de reubicarla.

Figura 10



Servicio técnico

Con excepción de los procedimientos de instalación y limpieza descritos en este manual, un representante autorizado de servicio técnico deberá realizar cualquier otro tipo de servicio.



Accesorios

Comuníquese con su distribuidor más cercano para adquirir accesorios originales marca Dimplex. Ejemplo: conjuntos de leños, equipo del enchufe, calentador y equipos de plomería.



Garantía

Garantía limitada de dos años

Productos sobre los que se aplica esta garantía limitada

Esta garantía limitada cubre su nuevo casete Dimplex. Esta garantía limitada se aplica sólo a las compras realizadas en cualquier provincia de Canadá, excepto en el Territorio de Yukón, Nunavut, o los Territorios del noroeste, o en cualquiera de los 50 estados de los Estados Unidos de América (incluido el Distrito de Columbia), excepto Hawái y Alaska. Esta garantía limitada se aplica al comprador original del producto únicamente y no es transferible.

Productos excluidos de esta garantía limitada

No están cubiertos por esta garantía limitada los productos comprados en el Territorio de Yukón, Nunavut, Territorios del Noroeste, Hawái ni Alaska. Los productos adquiridos en estos Estados, provincias o territorios se venden TAL CUAL, sin garantía ni condición de ningún tipo (que incluye, sin limitación, cualquier garantía implícita o condiciones de comerciabilidad o adecuación a un fin particular), y el riesgo total respecto de la calidad y del rendimiento de los productos recae en el comprador; y en el caso de un defecto, el comprador asume todo el costo de cualquier servicio técnico o reparación necesarios.

Lo que cubre la garantía y hasta cuándo

Los productos amparados por esta garantía limitada, salvo los elementos que rodean la chimenea (dinteles) y sus rebordes, se han probado e inspeccionado antes de su envío. De acuerdo con las cláusulas de esta garantía, Glen Dimplex Americas (Glen Dimplex Americas en el presente) garantiza que tales productos están libres de defectos en los materiales y la fabricación durante un periodo de 2 años a contar desde la fecha de primera compra de dichos productos como se indica a continuación: (a) una

garantía en la reparación o el remplazo de productos o piezas defectuosas, incluyendo reparaciones en el hogar, en el primer año a partir de la fecha de compra, y (b) posteriormente, una garantía en el remplazo de piezas en productos y piezas defectuosas (que no cuenten con reparaciones en el hogar) durante 1 año a contar desde la fecha de primera compra y terminará cuando se cumplan dos años después de la fecha de primera compra.

Los elementos que rodean la chimenea (dinteles) y sus rebordes Glen Dimplex Americas amparados por esta garantía limitada, se han sometido a pruebas e inspeccionado antes de su envío y, de acuerdo con las cláusulas de esta garantía, Glen Dimplex Americas garantiza que tales productos están libres de defectos de materiales y de fabricación durante un periodo de 1 año a contar desde la fecha de primera compra de dichos productos. Los servicios de la garantía no incluyen reparaciones en el hogar.

El periodo de garantía limitada por 2 años de los productos salvo los elementos que rodean la chimenea (dinteles) y rebordes y la garantía por 1 año para los elementos que rodean la chimenea (dinteles) y rebordes también aplica a cualquier garantía implícita que pueda existir de acuerdo con la legislación vigente aplicable. Algunas jurisdicciones no permiten limitaciones sobre la duración de la garantía implícita, por ello, la limitación antes citada puede que no sea aplicable al comprador.

Lo que no ampara esta garantía limitada

Esta garantía limitada no se aplica a los productos reparados (salvo por Glen Dimplex Americas o sus representantes técnicos autorizados) o modificados de algún modo. Esta garantía limitada no se aplica a los defectos que se produzcan por mal uso, abuso, accidente, negligencia, instalación incorrecta, mantenimiento o manejo inadecuados o funcionamiento con



Garantía

una fuente de alimentación incorrecta.

Lo que debe hacer para solicitar el servicio en virtud de esta garantía limitada

Los defectos deben ser declarados al Servicio Técnico de Glen Dimplex Americas comunicándose con (1-888-346-7539. Tenga a mano el comprobante de compra y los números de serie, y catálogo/modelo cuando llame. El servicio bajo la garantía limitada exige que se disponga del comprobante de compra del producto.

En caso de defectos, Glen Dimplex Americas procederá de la siguiente manera:

En el caso de que, durante el periodo (i) de 2 años de garantía limitada, se demostrase que una pieza o un producto amparado por esta garantía limitada tiene defectos de material o de fabricación, salvo los elementos que rodean la chimenea (dinteles) y rebordes y (ii) con una garantía limitada durante el periodo de 1 año para (dinteles) y rebordes, usted dispondrá de los siguientes derechos:

- El servicio bajo la garantía limitada será realizado únicamente por distribuidores o agentes de servicio de Glen Dimplex Americas autorizados para proporcionar servicios bajo la garantía limitada.
- **Para productos (salvo los elementos que rodean la chimenea (dinteles) y rebordes) durante el periodo el cual termina a media noche, un año a contar desde la fecha de primera compra,** Glen Dimplex Americas elegirá, a su exclusivo criterio, si repara o reemplaza el producto o la pieza defectuosos sin cargo. Si Glen Dimplex Americas no pudiera reparar o reemplazar el producto o la pieza, o si la reparación o el reemplazo no es comercialmente práctico o no se puede completar en forma oportuna, Glen Dimplex Americas puede determinar que, en lugar de reparar o reemplazar

el producto, reintegrara al comprador el precio de compra de dicho producto o dicha pieza. **Esta garantía limitada otorga derechos al comprador para recibir servicios de garantía in situ o en el hogar.** Respectivamente, Glen Dimplex Americas será responsable de los costos de trabajo y transporte asociados a la reparación o remplazo del producto o parte excepto en los siguientes casos: (i) cargos que se puedan cobrar por viáticos incurridos por viajar al sitio del comprador donde se encuentre el producto, en caso de que el sitio supere las 30 millas (48 km) del almacén de servicio de su distribuidor Glen Dimplex Americas o agente de servicio; y (ii) el comprador es único responsable de proporcionar libre acceso a todas las partes que necesiten servicio del producto.

- **Para productos (salvo los elementos que rodean la chimenea (dinteles) y rebordes) durante el periodo el cual comienza a las 12.01 el día que se cumpla un año a contar desde la fecha de primera compra y termina en el segundo aniversario de la fecha de compra,** esta garantía limitada otorga al comprador el derecho de adquirir piezas de repuesto sin cargo. Si Glen Dimplex Americas no pudiera reemplazar la pieza, o si el reemplazo no es comercialmente práctico o no se puede completar en forma oportuna, Glen Dimplex Americas puede determinar que, en lugar de reemplazar el producto, reintegrará al comprador el precio de compra de dicha pieza. El comprador no tiene derecho a servicios de garantía in situ o en el hogar. El comprador se responsabiliza, a cubrir los gastos incurridos para el retiro y la instalación del remplazo de la parte incluyendo, de manera enunciativa más no limitativa, los costos de envío y transporte desde y hacia el centro de atención comercial del distribuidor



Garantía

autorizado o agente de servicio y de los costos de mano de obra. Tales costos no son responsabilidad de Glen Dimplex Americas.

- **Para los elementos que rodean la chimenea (dinteles) y rebordes durante el periodo el cual termina a media noche un año a contar desde la fecha de primera compra**, Glen Dimplex Americas elegirá, a su exclusivo criterio, si repara o reemplaza los elementos defectuosos que rodean la chimenea (dinteles) y rebordes o pieza sin cargo. Si Glen Dimplex Americas no pudiera reparar o reemplazar el producto o la pieza, o si la reparación o el reemplazo no es comercialmente práctico o no se puede completar en forma oportuna, Glen Dimplex Americas puede determinar que, en lugar de reparar o reemplazar el producto, reintegrará al comprador el precio de compra de dicho producto o dicha pieza. El comprador no tiene derecho a recibir servicios in situ o en el hogar. El comprador se responsabiliza, a cubrir los gastos incurridos para la reparación o el replazo de la parte o producto incluyendo de manera enunciativa mas no limitativa, los costos de envío y transporte desde y hacia el centro de atención comercial del distribuidor autorizado o agente de servicio y de los costos de mano de obra. Tales costos no son responsabilidad de Glen Dimplex Americas.
- Los servicios in situ o en el hogar, no provistos de acuerdo a esta garantía, pueden realizarse a pedido específico del comprador, quien deberá asumir el costo de los honorarios vigentes de Glen Dimplex Americas para tales servicios.

De lo que tampoco son responsables ni Glen Dimplex Americas ni los distribuidores ni los técnicos de mantenimiento:

EN NINGÚN CASO NI GLEN DIMPLEX AMERICAS, NI SUS DIRECTIVOS, O

AGENTES SERÁN RESPONSABLES ANTE EL COMPRADOR O CUALQUIER OTRA PARTE. YA SEA CONTRACTUALMENTE, EXTRA CONTRACTUALMENTE, O CON CUALQUIER OTRO CONCEPTO, DE CUALQUIER PÉRDIDA, COSTO O DAÑO INDIRECTO, ESPECIAL, PUNITIVO, EJEMPLARIZANTE, MEDIATO O INCIDENTAL, QUE SE PRODUZCA O ESTÉ RELACIONADO CON LA VENTA, MANTENIMIENTO, USO O IMPOSIBILIDAD DE USAR EL PRODUCTO, INCLUSO SI GLEN DIMPLEX AMERICAS O SUS DIRECTIVOS, RESPONSABLES O AGENTES HAN SIDO AVISADOS DE LA POSIBILIDAD DE QUE SE PRODUZCAN DICHS DAÑOS, PÉRDIDAS O COSTOS, O SI TALES DAÑOS, PÉRDIDAS O COSTOS SON PREVISIBLES. EN NINGÚN CASO NI GLEN DIMPLEX AMERICAS, NI SUS DIRECTIVOS, O AGENTES SERÁN RESPONSABLES DE CUALQUIER DAÑO, PÉRDIDA O COSTO DIRECTO QUE SUPERE EL PRECIO DE COMPRA DEL PRODUCTO.

ALGUNAS JURISDICCIONES NO PERMITEN LA EXCLUSIÓN O LIMITACIÓN DE DAÑOS INCIDENTALES O MEDIATOS; POR ELLO PUEDE QUE LA LIMITACIÓN O EXCLUSIÓN ANTERIOR NO SEA APLICABLE AL COMPRADOR .

Aplicación de legislaciones provinciales y estatales

Esta garantía limitada le proporciona derechos legales específicos y puede que usted tenga también otros derechos que varían de una jurisdicción a otra. A la venta de los productos amparados por esta garantía limitada no le serán de aplicación las cláusulas de la Convención de las Naciones Unidas sobre Contratos de Venta de Mercancías.



Servicio Técnico

Para solucionar problemas y obtener ayuda técnica así como una lista de piezas de remplazo acuda a

www.dimplex.com/customer_support.

1-888-346-7539 | www.dimplex.com

De acuerdo con nuestra política de constante perfeccionamiento del producto, nos reservamos el derecho de hacer cambios sin previo aviso.

© 2019 Glen Dimplex Americas

Glen Dimplex 
AMERICAS

Intensificando los momentos importantes de la vida